

User's Manual

738BI

**BLUETOOTH®-ENABLED
MP3- COMPATIBLE
IN-DASH CD RECEIVER WITH
FRONT PANEL AUX INPUT
AND USB PORT**

WITH FULL iPod CONTROL



BOSS®

AUDIO SYSTEMS

CONTENTS LIST

PAGE CONTENTS

2	NOTE OF DISCS
3	ACCESSORY INCLUDED
4	INSTALLATION
6	DETACHABLE CONTROL PANEL
7	WIRING DIAGRAM
8	CONTROL PANEL FUNCTION
9	BASIC OPERATIONS
10	MENU OPERATION
11	AUDIO OPERATION
12	TUNER OPERATION
13	CD /MP3/WMA OPERATION
16	USB OPERATION
17	MEMORY CARD OPERATION
18	MUSIC FILES COPYING / TRANSFERRING
20	MUSIC FILES TRANSFERRING
22	FILES MANAGER
23	iPod OPERATION
25	BLUETOOTH HAND FREE OPERATION
37	REMOTE FUNCTION
38	SPECIFICATIONS
39	TROUBLE SHOOTING

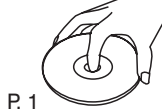
1. NOTE OF DISCS

MOISTURE CONDENSATION

On a rainy day or in a very damp area, moisture may condense on the lenses inside the unit. Should this occur, the unit will not operate properly. In such a case, remove the disc and wait for about an hour until the moisture has evaporated.

NOTES ON CDs

1. A dirty or defective disc may cause sound dropouts while playing. To enjoy optimum sound, handle the disc as follows.
Handle the disc by its edge. To keep the disc clean, do not touch the surface (P.1).



2. Do not stick paper or tape on the disc (P.2).



3. Do not expose the discs to direct sunlight or heat sources such as hot air-ducts, or leave them in a car parked in direct sunlight where there can be a considerable rise in temperature inside the car (P.3).



4. Before playing, clean the discs with an optional cleaning cloth. Wipe each disc from the centre out (P.4).



5. Do not use solvents such as benzene, thinner, commercially available cleaners, or antistatic spray intended for analog discs.

NOTES ON DISCS

If you use the discs explained below, the sticky residue can cause the CD to stop spinning and may cause malfunction or ruin your discs.

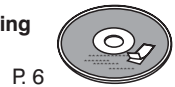
Do not use second-hand or rental CDs that have a sticky residue on the surface (for example, from peeled-off stickers or from ink, or glue leaking from under the stickers).

**There are paste residue.
Ink is sticky (P.5).**



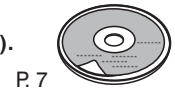
Do not use rental CDs with old labels that are beginning to peel off.

**Stickers that are beginning
to peel away, leaving a
sticky residue (P.6).**



Do not use your CDs with labels or stickers attached.

Labels are attached (P.7).



Do Not Use Special Shape CDs

Be sure to use round shape CDs only for this unit and do not use any special shape CDs. Use of special shape CDs may cause the unit to malfunction.(P.8).



Be sure to use CDs with disc mark



Only for this unit.

CD-Rs and CD-RWs which have not undergone finalization processing cannot be played. (For more information on finalization processing, refer to the manual for your CD-R/CD-RW writing software or CD-R/CD-RW recorder.) Additionally, depending on the recording status, it may prove impossible to play certain CDs record on CD-R or CD-RW.

2. ACCESSORY INCLUDED

When first unpacking your new full detachable DVD head unit, please check first that the package contains all of the items below. If something is missing, contact the store where you purchased the player.

- **Owner's Manual**



- **Warranty Card**



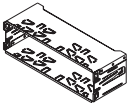
- **Remote control**



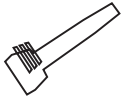
- **Lithium Battery**



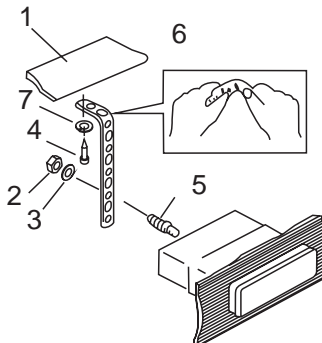
- **Half Sheeve**



- **Insert Key**

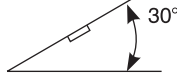


- **1. Dashboard**
- 2. Nut (5mm)**
- 3. Spring washer**
- 4. Screw (4X12mm)**
- 5. Screw**
- 6. Support Strap**
- 7. Plain washer**



3. INSTALLATION

- Before finally installing the unit, connect the wiring temporarily and make sure it is all connected up properly and the unit and system work properly.
- Use only the parts included with the unit to ensure proper installation. The use of unauthorized parts can cause malfunctions.
- Consult with your nearest dealer if installation requires the drilling of holes or other modifications of the vehicle.
- Install the unit where it does not get in the driver's way and cannot injure the passenger if there is a sudden stop, like an emergency stop.
- If installation angle exceeds 30° from horizontal, the unit might not give its optimum performance.



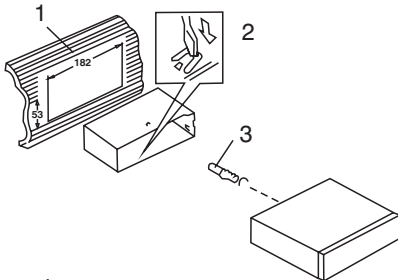
- Avoid installing the unit where it would be subject to high temperature, such as from direct sunlight, or from hot air, from heater, or where it would be subject to dust dirt or excessive vibration.
- Be sure to remove the front panel before installing the unit.

DIN FRONT/REAR-MOUNT

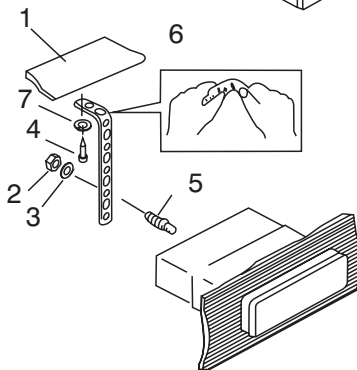
This unit can be properly installed either from "Front" (conventional DIN Front-mount) or "Rear" (DIN Rear-mount installation, utilizing threaded screw holes at the sides of the unit chassis). For details, refer to the following illustrated installation methods A and B.

DIN FRONT-MOUNT (Method A)

Installation the unit

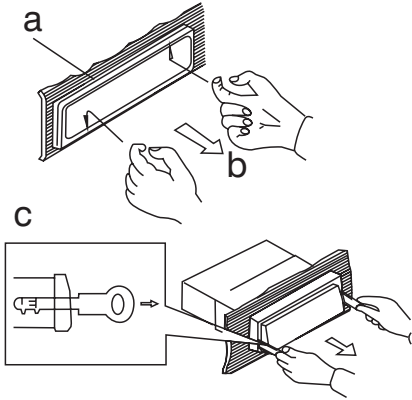


1. Dashboard
2. Holder
After inserting the half sleeve into the dashboard, select the appropriate tab according to the thickness of the dashboard material and bend them inwards to secure the holder in place.
3. Screw



1. Dashboard
2. Nut (5mm)
3. Spring washer
4. Screw (4x12mm)
5. Screw
6. Support Strap
Be sure to use the support strap to secure the back of the unit in place. The strap can be bent by hand to the desired angle.
7. Plain washer

Removing the unit



- a. Frame
- b. Insert fingers into the groove in the front of frame and pull out to remove the frame. (When re-attaching the frame, point the side with a groove down wards and attach it.)
- c. Insert the levers supplied with the unit into the grooves at both sides of the unit as shown in figure until they click. Pulling the levers makes it possible to remove the unit from the dashboard.

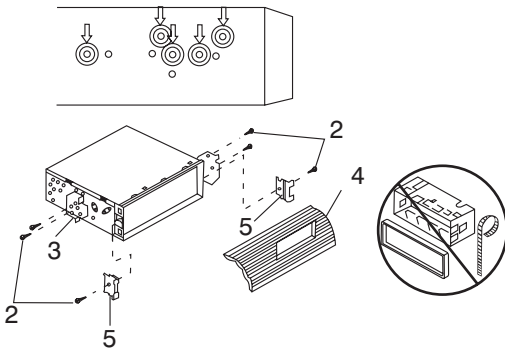
Trim Plate Installation:

Push the trim plate against the chassis until it is fitted.

You must do this before you install the front panel, otherwise it can't be attached.

DIN REAR-MOUNT (METHOD B)

Installation using the screw holes on the sides of the unit.
Fastening the unit to the factory radio mounting bracket.



- 1. Select a position where the screw holes of the bracket and the screw holes of the main unit become aligned (are fitted) and tighten the screws at 2 places on each side.
- 2. Screw
- 3. Factory radio mounting bracket.
- 4. Dashboard or Console
- 5. Hook (Remove this part)

Note: the mounting box, outer trim ring, and half-sleeve are not used for method B installation.

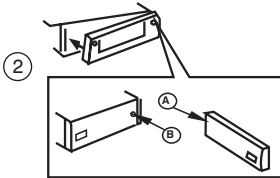
4. DETACHABLE CONTROL PANEL (D.C.P.)

Removing The Detachable Control Panel (D.C.P.).



1. Turn the power off
2. Press the D.C.P. release button
3. Remove the D.C.P.

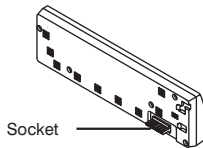
Attaching the DCP



1. Attach the panel at the right side first, with point B on the main unit touching point A on the D.C.P. (As shown on the diagram).
2. Then press the left side of D.C.P. onto the main unit until a “click” sound is heard.

CAUTION

- DO NOT insert the D.C.P. from the left side. Doing so may damage it.
- The D.C.P. can easily be damaged by shocks. After removing it, place it in a protective case and be careful not to drop it or subject it to strong shocks.
- When the release button is pressed and the D.C.P. is unlocked, the car's vibrations may cause it to fall. To prevent damage to the D.C.P. always store it in a protective case after detaching it.
- The rear connector that connects the main unit and the D.C.P. is an extremely important part. Be careful not to damage it by pressing on it with fingernails, pens, screwdrivers, etc.

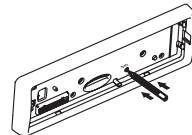


Note:

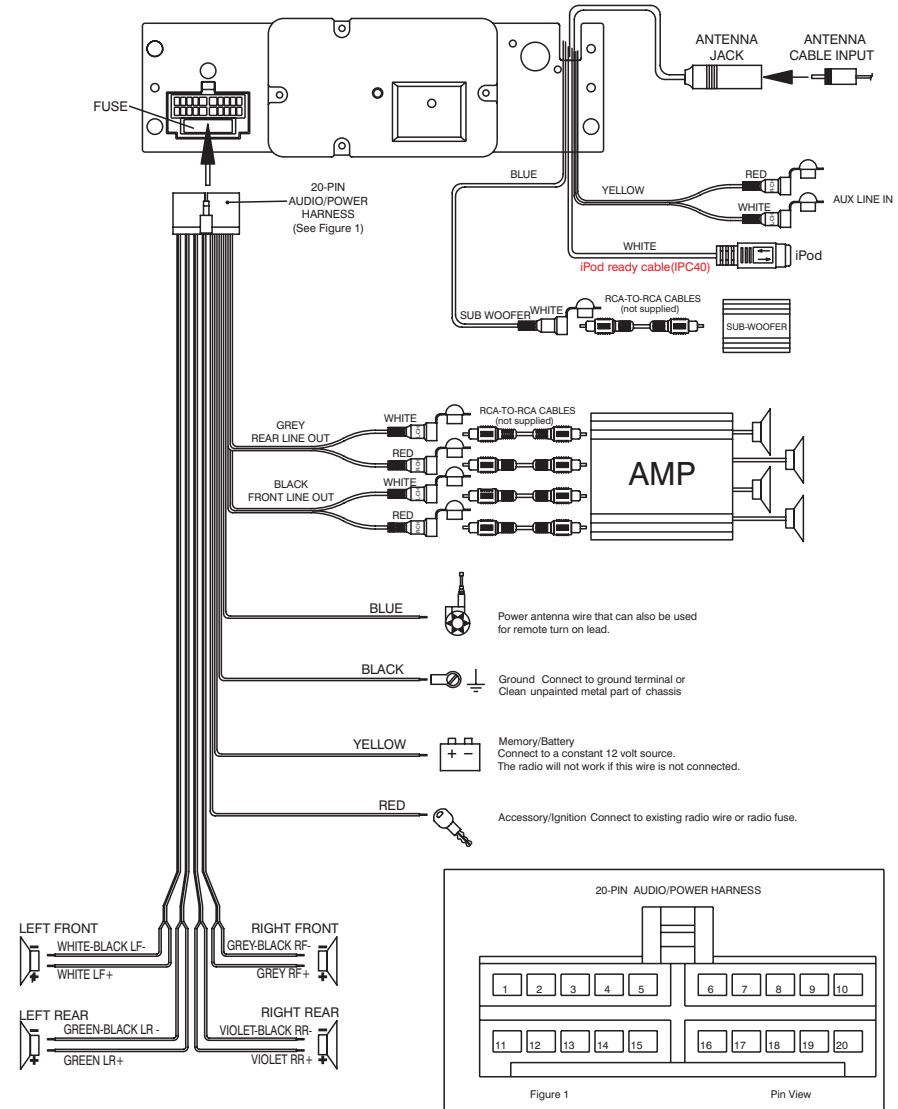
If the D.C.P. is dirty, wipe off the dirt with soft, dry cloth only. And use a cotton swab soaked in isopropyl alcohol to clean the socket on the back of the D.C.P.

RESETTING THE UNIT:

- After releasing the front panel, use a pencil or any non-metallic object to press & hold the reset button for five seconds to reset the unit.



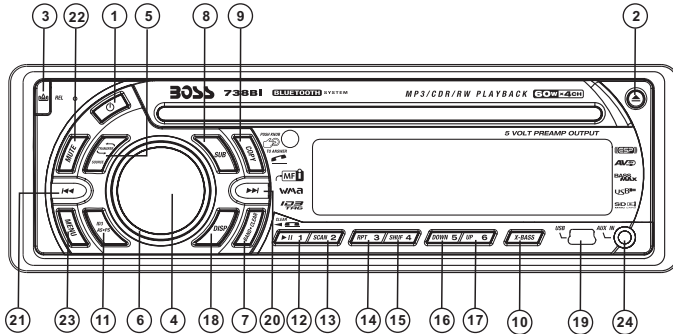
5. WIRING DIAGRAM (20 PIN HARNESS PLUG)



PIN	WIRE COLOR	FUNCTION/LABEL
1	GREY/BLACK	RIGHT FRONT SPEAKER (-)
2	GREY	RIGHT FRONT SPEAKER (+)
3	VIOLET	RIGHT REAR SPEAKER (+)
4	VIOLET/BLACK	RIGHT REAR SPEAKER (-)
5		
6	GREEN	LEFT REAR SPEAKER (+)
7	GREEN/BLACK	LEFT REAR SPEAKER (-)
8	RED	IGNITION(ACC)
9	BLACK	REAR PRE-AMP LINE OUT COMMON
10	RED	RIGHT REAR PRE-AMP LINE OUT

PIN	WIRE COLOR	FUNCTION/LABEL
11	WHITE	LEFT FRONT SPEAKER (+)
12	WHITE/BLACK	LEFT FRONT SPEAKER (-)
13		
14	BLUE	POWER ANTENNA
15	YELLOW	BATTERY(+)
16	BLACK	CHASSIS GROUND
17	WHITE	LEFT FRONT PRE-AMP LINE OUT
18	RED	RIGHT FRONT PRE-AMP LINE OUT
19	BLACK	FRONT PRE-AMP LINE OUT COMMON
20	WHITE	LEFT REAR PRE-AMP LINE OUT

6. CONTROL PANEL FUNCTION



OPERATIONS:

KEY	SYSTEM		TUNER		CD/MP3/WMA		Blue Tooth		iPod	
	Short Press	Long Press	Short Press	Long Press	Short Press	Long Press	Short Press	Long Press	Short Press	Long Press
1	Power									
2					Eject					
3	Panel release button									
4		Audio Menu			Enter		Phone Answer			
5	Source							Call Transfer		
6	Encoder Volume									
7			Band		File/Folder Search	File Erase	Reject Call		iPod Search	
8	Sub-W						End Call			
9	Copy									
10	ix-Bass									
11			PS	AS	ID3				iPod information	
12			M1	Memory 1	Pause /Play				Pause /Play	
13			M2	Memory 2	Intro	Folder Intro				
14			M3	Memory 3	Repeat	Folder Repeat			Repeat	Album Repeat
15			M4	Memory 4	Random	Folder Random			Shuffle	Album Shuffle
16			M5	Memory 5	Folder Down					
17			M6	Memory 6	Folder Up					
18	Display									
19	USB Socket									
20			Seek Up	Tune Up	Track/File Up	Fast Forward			File Up	Fast Forward
21			Seek Down	Tune Down	Track/File Down	Fast Backward			File Down	Fast Backward
22	Mute									
23	Menu									
24	AUX-IN JACK									

7. BASIC OPERATIONS

3) PANEL RELEASE BUTTON (REL)

Press this button to remove the control panel.

1) POWER ON/OFF BUTTON (⏻)

Press POWER button or any other button on the front of the radio to turn the unit on. Press POWER button again to turn the unit off.

22) MUTE BUTTON (MUTE)

Press the mute button momentarily to mute the audio volume, and "Mute" will flash in the display. Press the mute button again to restore volume to the previous setting.

8) SUB-WOOFER (SUB-W)

Short press the SUB-W button to activate the Sub-woofer function On, and "Sub-woofer" will appear on the LCD display for 3 seconds. Press the SUB-W button again to turn off the Sub-woofer function.

10) iX-BASS BUTTON (iX-Bass)

Short press the iX-Bass button to turn on the iX-Bass function, and the "X-BAS" icon will appear on the LCD display. Press the iX-Bass button again to turn off the iX-Bass function.

5) SOURCE BUTTON (SOURCE)

Press SOURCE button to select a different mode of operation as indicated on the display panel. Available modes include Tuner, CDP, USB Host, SD/MMC, iPod, Built-in memory and Aux Line In.

19) FRONT (AND REAR PANEL) AUXILIARY INPUT JACKS

This unit features AUX IN line input jacks on both the front (headphone type) and rear (RCA type) panels.

PLEASE NOTE:

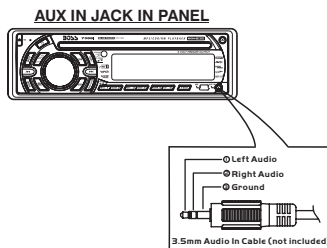
These two inputs cannot be used simultaneously. If you have a source unit plugged into the rear panel jack and wish to listen to a portable device (such as an MP3 player) by using the front panel jack, be sure to power off the unit plugged into the rear unit to avoid interference.

Similarly, if you have a device plugged into the front panel jack and wish to listen to the unit plugged into the rear panel, be sure to turn off the front panel device.

To select either the front or rear AUX IN device as a listening source, press the SOURCE button to select AUX mode. To cancel AUX IN listening, press SOURCE again.

6) ENCODER VOLUME BUTTON

To increase the volume, rotate the volume control clockwise. To decrease the volume, rotate the volume control counter clockwise. When volume is adjusted, the volume level will be shown on the display panel as a number ranging from 0 (lowest) to 46 (highest).



8. MENU OPERATION

23) MENU FUNCTION LIST (MENU)

Press MENU for more than 3 seconds to access the menu. *MENU* Will appear in the display momentarily. Navigate the menu by pressing MENU momentarily to move forward to the next option. The menu can also be navigated by using the Tuning Up or Tuning Down Button to move to the next or previous option. Once the desired option appears in the display, adjust that option by rotating the volume control within 5 seconds. The following options are adjusted through this menu feature.

Pairing (PAIR HF)

This feature is used to pairing the unit's Blue tooth system to your mobile phone or other Blue tooth device. Under the MENU "Pairing" mode then press Audio button to start activating the Pairing.

Note "PAIR HF" is special use for pairing with mobile phone with Bluetooth function, if the pairing device is a Bluetooth Audio device, rotate the encoder to "PAIR AD" then press Audio button to start activating the pairing with audio device.

Tips Pls refer to BLUE TOOTH HAND FREE Operation regarding the details operation of "PAIRING".

Re-connection/Dis-connection (RE-CON / DIS-CON)

This feature is allows to Re-connect or Dis-connect to the paired mobile phone or Blue tooth device by manually. Under the Menu- "RE-CON"mode, Rotate the encoder to navigate thru "RE-CON" (re-connection) and "DIS-CON"(Dis-connection). After selected the mode for connection then press Audio button to start activating the connection mode.

Incoming call ringing volume (BT VOL)

The unit can preset the Ringing volume level for any incoming call. The default RINGING VOLUME LEVEL VALUE is "20". Rotate the encoder knob to adjust from Min 00 to Max 38.

Time Set (CLK)

The time on the clock will be set to 12:00 as the default. Program the current time by rotating the volume control clockwise to adjust the minutes and counterclockwise to adjust the hours.

AREA (TUNER FREQUENCY SPACING)

This option allows the selection of the frequency spacing appropriate for your area. "AREA U.S.A." is the default setting. Rotate the volume control to select the U.S.A. Latin America, Europe or Oirt options.

Local / Distance Select

This feature is used to designate the strength of the signals at which the radio will stop during automatic tuning. "Distance" is the default, allowing the radio to stop at a broader range of signals. To set the unit to select only strong local stations during automatic tuning, rotate the volume control until "Local" appears in the display.

Programmable Turn-on Volume (P-VOL)

This option allows selection of the volume level the radio will automatically assume when first turned on. "VOL PGM 12" is the default setting, which will turn the radio on at the volume level selected when the unit was last turned off.

To program a specific volume level for the radio to turn on at, rotate the volume control to select "VOLUME LEVEL". Within 5 seconds

Beep Tone (BEEP)

The beep tone feature allows the selection of an audible beep tone to be heard each time a button is pressed on the face of the radio. "BEEP TONE On" is the default display. Rotate the volume control to select the "BEEP TONE Off" option.

9. AUDIO OPERATION

Audio Menu

Long Press “AUDIO” button to access the Audio Menu. User can navigate thru the Audio Menu items by pressing the / “AUDIO” button repeatedly, or by pressing the Tuning Up or Tuning Down Button. Once the desired menu item appears on the display, adjust that option by using the Volume Up or Down button within 5 seconds. The following menu items can be adjusted as described above. The unit will automatically exit the Audio Menu after five seconds of inactivity.

VOLUME (Volume Level)

- User has 5 seconds to use the Volume button to adjust the desired volume level, the volume level will be shown on the LCD display ranging from 00 (lowest) to 46 (highest).

BASS (Bass Level)

- User has 5 seconds to use the Volume Up or Down button to adjust the desired Bass level range from -6 to +6.

TREBLE (Treble Level)

- User has 5 seconds to use the Volume Up or Down button to adjust the desired Treble level range from -6 to +6.

BALANCE

- User has 5 seconds to use the Volume Up or Down button to adjust the Balance between the right and left speakers from R12 (full right) to L12 (full left). “C00” represents an equal balance between the right and left speakers.

FADER

- User has 5 seconds to use Volume Up or Down button to adjust the Fader between the front and rear speakers from R12 (full rear) to F12 (full front). “C00” represents an equal balance between the front and rear speakers.

10. TUNER OPERATION

7) BAND BUTTON (BAND/SEARCH)

Press BAND to change between FM bands and AM(MW)bands.

20-21) TUNING UP/DOWN BUTTON (◀◀ ▶▶)

Manual Tuning

Press the Up Tuning or Down Tuning button for more than 3 seconds to move the radio frequency number up or down one step.

Auto Seek Tuning

Press the Up Tuning or Down Tuning button for less than 3 seconds to move to next station automatically.

12-17) PRESET STATIONS BUTTONS

Six numbered preset buttons store and recall stations for each band.

Store a Station

Select a band (if needed), then select a station. Hold a preset button for 3 seconds. The preset number will appear in the display.

Recall a Station

Select a band (if needed). Press a preset button to select the corresponding stored station.

11) AUTOMATICALLY STORE / PRESET SCAN (AS/PS)

Automatically Store

Automatically select 6 strong stations and store them in the current band. Select a band (if needed). Press AS/PS button for more than three seconds. The new stations replace stations already stored in that band.

Preset Scan

Scan stations stored in the current band. Select a band (if needed). Press AS/PS button for less than 3 seconds. The unit will pause for ten seconds at each preset station. Press AS/PS button again to stop scanning when the desired station is reached.

STEREO

The unit will automatically pick up a stereo signal, when available. When in stereo mode, the ST icon appears in the display. When no stereo signal is available, the unit will automatically revert to mono operation, and no icon will be displayed.

11. CD /MP3/WMA OPERATION

INSERT AND EJECT CD

Insert a CD label-side up with the unit turned on, and the disc will begin to play. Press the Eject button to stop CD play and eject the CD. The unit does not have to be turned on to eject the CD.

CD-DA OPERATION

12) PAUSE BUTTON

Press the pause button to suspend disc play. Press the pause button again to resume disc Play.

20-21) TRACK SELECT

Press the Up Tuning or Down Tuning button (**⏮ ⏭**) for less than one second to advance to the next track on the CD, The selected track number will appear on the display. Press and hold the Up Tuning or Down Tuning button (**⏮ ⏭**) for more than one second to fast forward or fast reverse through the disc. CD play starts when the button is released.

14) REPEAT BUTTON (RPT)

Press REPEAT BUTTON (RPT) during disc play to continuously repeat the track. Press REPEAT BUTTON (RPT) again to stop Repeating.

15) RANDOM BUTTON (RDM)

Press RANDOM BUTTON (RDM) during disc play to play all tracks on a CD in random, shuffled order. Press RANDOM BUTTON (RDM) again to stop random play.

13) INTRO SCAN BUTTON (INT)

During disc play, press INTRO SCAN BUTTON (INT) to play the first 10 seconds to each track on the disc. When the desired track is reached, press INTRO SCAN BUTTON (INT) again to end the scan and play the selected track.

MP3/WMA OPERATION

MP3 and WMA (Windows Media Audio) music files are audio compression format. This unit can play MP3/WMA directly from files contained on a CD-R/RW, USB Memory Stick, SD or MMC Memory Card.

Notes on MP3/WMA Play

This unit can play MP3 (MPEG1, 2, 2.5 Audio Layer 3). However, the MP3 recording media and accepted formats are limited. When writing MP3/WMA, pay attention to the following restrictions.

Acceptable Medium Formats

The following formats are available for the media used in this unit. The maximum number of characters used for file name including the delimiter (".") and three-character extension are indicated in parentheses.

- ISO 9660 Level 1 (11 characters)
- ISO 9660 Level 2 (31 characters)
- Joliet (31 characters)
- Romeo (31 characters)

Up to 200 characters can be displayed in the long file name format. For a list of available characters, see the instruction manual of the writing software and the section "Entering File and Folder Names" below. The media reproducible on this unit has the following limitations:

- Maximum number of nested folders: 8
- Maximum number of files per disc: 999
- Maximum number of files per media device: 2000
- Maximum number of folders per disc: 255

MP3/WMA written in the formats other than the above may not be successfully played and their file names or folder names may not be properly displayed.

MP3/WMA Encoder and CD Writer Settings

Use the following settings when compressing audio data in MP3 data with the MP3 encoder.

- Transfer bit rate : 32- 320 kbps
- Sampling frequency : 32,44.1,48 kHz(WMA) 16,22.05,24,32,44.1, 48kHz (MP3)

When using a CD writer to record MP3/WMA up to the maximum disc capacity, disable additional writing. For recording on an empty disc up to the maximum capacity at once, check disc at once.

Entering ID3 Tag

This unit supports ID3 tag versions 1.0 and 1.1.

Entering File and Folder Names

Names using the code list characters are the only file names and folder names that can be entered and displayed. Using any other character will cause the file and folder names to be displayed incorrectly. The unit recognizes and plays only files with the MP3/WMA extension.

NOTE A file name entered with characters not on the code list may not play correctly.

Writing Files into a Media

When a media containing MP3/WMA data is loaded, the unit checks all data. If the media contains many folders or non-MP3/WMA files, MP3/WMA play will be delayed, it may take time for the unit to move to the next file, and searches may not be performed smoothly. Loading such a media may produce loud noise and cause damage to the speakers. **Do not attempt to play a media containing a non-MP3/WMA file with the MP3/WMA extension or a media containing non MP3/WMA files.**

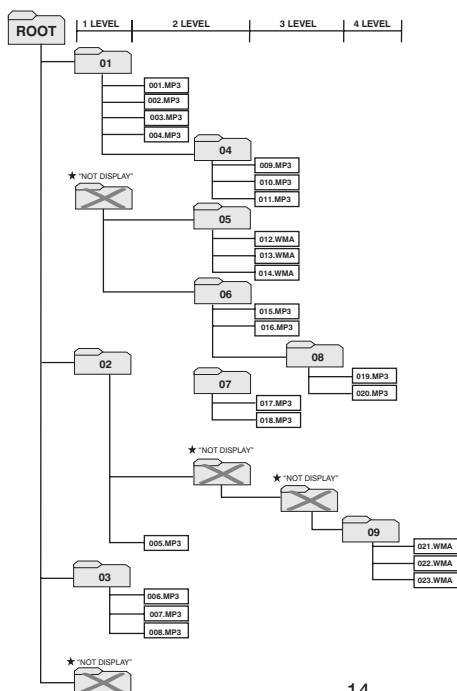
Bit Rates

The unit supports bit rates from 32 - 320 kbps.

Files Playing Order

When selected for play, Folder Search, File Search or Folder Select, files and folders are accessed in the order in which they were written by the PC writer. Because of this, the order in which they are expected to be played may not match the order in which they are actually played. For example, a media with the following folder/file hierarchy is subject to Folder Search, File Search or Folder Select as shown below.

- An outline of a Media with MP3/WMA is shown below. Subfolders are shown as folders in the folder currently selected.



- The equipment assigns folder numbers. The user can not assign folder numbers.
- It is not possible to check folders that do not include MP3/WMA files. (These folders will be skipped without displaying the folder number and name)

FILE/FOLDER PLAY

There are three different play methods as following:

File/Folder Intro play:

- Press M2 button more than 3 seconds during playing MP3/WMA disc for “intro play” all files of the current folder. Intro play should restart from the first song of the current folder, after all files in the current files have been intro-played.
To disable current folder “intro play”, long press M2 button more than 3 seconds
- Press M2 button less than 3 seconds is “intro play” all files on the disc. Intro play should re-start at the very first file of the disc after all files in the disc has been intro played.
To disable all files “intro play”, press M2 button less than 3 seconds

File/Folder Repeat play :

- Press M3 button more than 3 seconds during playing MP3/WMA disc for “repeat play” all files of the current folder. And keep on repeat playing the current folder until “repeat play” is disabled.
To disable current folder “repeat play”, long press M3 button more than 3 seconds
- Press M3 button less than 3 seconds to “repeat play” the current file. And keep on repeat Playing the current file until the “repeat play” is disabled.
To disable current file “repeat play”, press M3 button less than 3 seconds

File/Folder Random play:

- Press M4 button more than 3 seconds during playing MP3/WMA disc to “random play” all files of the current folder.
To disable current folder “random play”, long press M4 button more than 3 seconds
- Press M4 button less than 3 seconds is “random play” all files on the disc.
To disable all file “random play”, press M4 button less than 3 seconds.

Folder Up / Down Play

- Press M5 button less than 3 seconds to One Folder Down
- Press M6 button less than 3 seconds to One Folder Up

MP3/WMA File or Folder Search

Direct File Number Searching

Press BAND button. The LCD will display "Number", and the illumination around the select knob will blink. Rotate the knob to select the desired track number, then press in on the knob to confirm and play the selected file.

Folder / Files Navigate Searching

Press BAND button twice. The LCD will display "Navigate", and the illumination around the select knob will blink. Rotate the knob to navigate through all folders and sub-folders on the disc. The folder names will be displayed on the LCD. Press the select knob for more than three seconds to play the first file in the folder. Press the select knob for less than three seconds to access the sub-folders or files. Rotate the select knob to navigate, then press the select knob to confirm and begin file play. During navigation search, press AS/PS or rotate the select knob counter-clockwise to move back to the last upper level of a folder.

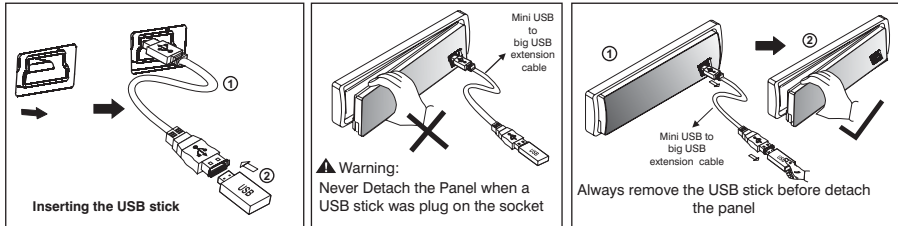
ID3 INFORMATION DISPLAY

If any MP3/WMA file recording with ID3 Tag information. The ID3 information such like Album title, Track title, Artist Title will be displayed and automatic scrolling through the LCD while the file is playing. User also allows pressing the AS/PS button repeatedly to view the ID3 tag information manually.

12. USB OPERATION

The unit can support USB Host Function. It can playback MP3 and WMA Audio format which are stored into USB Memory Stick or USB interface Music Player. Please read below before you start the operation of USB HOST Function.

Inserting and Removing USB Drive



Under any other mode while inserting a USB Stick into the front panel USB plug, the unit will Automatically switches from present playing mode to USB HOST mode. The unit will display 'USB HOST' for a while then starts *READING* the files contained on the USB Stick. Once the unit read the USB Stick successfully, the first audio music file on the USB stick Playback will Automatically start. Press Mode button repeatedly to change to other modes or switch back to USB HOST.

▲ WARNING:

Before remove the USB stick from the Front panel USB plug. Always remember to switch off the unit's power or switch to other mode then remove out the USB Stick. Never try removing the USB Stick while playing music file on the USB stick. It may damage the USB Stick and sometimes will caused the unit system lock up.

NOTE ➤ The unit can support playback Music Player which have USB Interface. However due to the fast changing decoder technology and different kind of hardware interface. This unit may or may not be compatible to all the Music Player and USB Stick especially those USB Stick / Player which require to install a program driver.

NOTE ➤ About Music Flash Player with USB Interface, Usually, the unit takes longer time to read this kind of player than normal USB Stick. Especially, if the Flash Player with built-in power battery sometimes takes 20-30 seconds to start up the playback

NOTE ➤ The unit is not compatible to playing any Portable Hard disk.

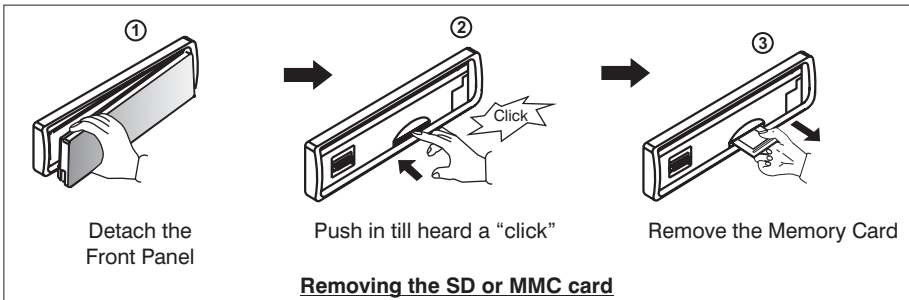
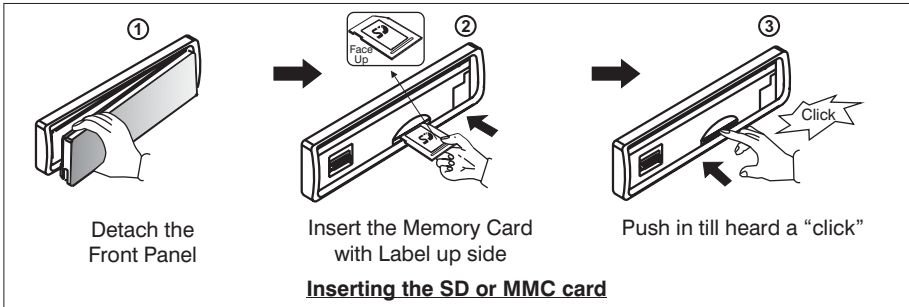
Music File Playback Operation

All the USB playback operation function is same as the operation on CD/MP3/WMA. Please refer to 'CD/MP3/WMA Operation' for more details.

13. MEMORY CARD OPERATION

The unit can support playback MP3 and WMA Audio format which are stored into **SD** and **MMC** Memory Card . Pls read below before you start the operation of Memory Card

Inserting and Removing a SD or MMC card on the main unit



Mode change to MEMORY CARD

After a SD or MMC card was inserted into the main unit card slot. Press Mode button to select **SD/MMC** Mode .The unit will display **SD/MMC** for a while then starts **READING** The files contained on the Memory Card. Once the unit read the MEMORYCARD successfully, the first audio music file on the Memory Card will automatically start playback. Press Mode Button repeatedly is allowing changing to other modes or switch back to **SD/MMC** Mode.

NOTE If no any Memory Card is inserted into the main unit card slot. Press mode button will automatically skip **SD/MMC** mode.

Music File Playback Operation

All the SD or MMC Memory Card playback operation function is same as the operation on CD/MP3/WMA. Pls refer to 'CD/MP3/WMA Operation' for more details.

14. MUSIC FILES COPYING / TRANSFERRING

Thanks for the most useful and convenient files transferring function of this unit, user can easily transfer music files between USB Stick, SD or MMC Memory card and on the CD Disc. Please read below for the details operation of this function:

TRANSFERABLE MEDIA

Files are transferable within the following media:

- Removable USB Stick
- SD Memory Card
- MMC Memory Card
- File on the CD disc

MUSIC FORMAT SUPPORTED BY FILE TRANSFER ARE

- MP3 and WMA

TRANSFER MP3 OR WMA MUSIC FILES ON CD DISC

This operation only can be performed during disc playing a MP3 or WMA music file.

1. Playback a music file to be transferred and then long press the COPY button to activate the Transfer mode.
2. The LCD will display **C > > USB** as default, Rotate the encoder volume knob to navigate thru **C > > USB > C > > CARD** for selection of the storage media.
3. Once selected the storage media, Press AUDIO button as confirmation to transfer the Playing file. If no further button is press within a 10 second time out, the unit will automatically resume to the previous mode
4. If the unit detected the selected media memory capacity is used up, **MEM FULL** Will be displayed on the LCD for a while then automatically resume to the previous mode.
5. After pressing AUDIO button to start the transfer, the playing music file will stop and the transferring will start at the same time. (The following step is an example of if selected USB)
6. When the transfer is processing, the LCD will displayed **> > > 01** .
7. When the file transfer is completed, the LCD will display **COPY OK** for a while and automatically playback the present music file which have been transferred. The transferred music file is automatically saved as a file into Folder "MY_MP3" or " MY_WMA" by the advance "File Management." system of this unit.

Tips For more details information of File Management system of this unit. Pls see "FILE MANAGER".

NOTE Under transferring mode, All the MP3/WMA operation is not functional, like file up / down, Repeat, Random, and Intro etc.

NOTE The audio will remain recording by the unit system even MUTE function is activated

NOTE The Transferring will automatically stop if the storage device memory is **less than 2MB**

● To Cancel Transferring.

1. Long press button COPY again to cancel the recording. The LCD will display **STOP 01** The music file that has been transferred incompletely will be deleted.

NOTE The unit will stop the file transfer automatically under the following operation, the music file that has been transferred incompletely will be deleted.

- 1) Switch the power to off mode
- 2) Mode change
- 3) Inserting a CD Disc
- 4) Inserting a USB Stick

TRANSFER MP3 OR WMA MUSIC FILES BETWEEN MEDIA DEVICES

Select a device by mode button and playback the music file need to be transfer:

- 1.Long press the COPY button to activate the transfer mode.
- 2.The LCD will display **C >> USB** as default, Rotate the encoder volume knob to navigate thru **C >> USB > C >> CARD** for selection of the storage media.
- 3.Once selected the storage media, Press the AUDIO button as confirmation to transfer the Playing file. If no further button is press within a 10 second time out, the unit will automatically resume to the previous mode.
- 4.If the unit detect the selected media memory capacity is used up, **MEM FULL** will be displayed on the LCD for a while then automatically resume to the previous mode.
- 5.After pressing AUDIO button to start the transfer, the playing music file will stop and the transferring will start at the same time. (The following step is an example of if selected USB)
- 6.Under transfer is processing, the LCD will display **>>> 01**.
- 7.When the file transfer is completed, the LCD will display **COPY OK** for a while and automatically playback the present music file which have been transferred. The transferred Music file is automatically saved as a file into the Folder "MY_MP3 " or "MY_WMA" by the advance "File Management." system of this unit.

Tips For more details information of File Management system of this unit , Please see "FILE MANAGER".

NOTE Under transferring mode, All the MP3/WMA operation is not functional, like file up / down, Repeat, Random, and Intro etc.

NOTE The audio will remain recording by the unit system even MUTE function is activated

NOTE The Transferring will automatically stop if the storage device memory is **less than 2MB**

⚠ WARNING:

- 1) Never remove the USB Stick while recording or file transferring to USB Stick. It may damage the USB Stick and sometimes will caused the unit system lock up.
- 2) It is not recommended to insert USB stick while recording is under progress to other storage device. Always remember to stop the recording or after the recording is completed, then insert the USB stick.
- 3) Do not switching mode of the unit during the File Transferring .
- 4) Do not turn off the Power of the unit during the File Transferring.
- 5) Do not switch the ignition key off during the File Transferring

15. MUSIC FILES ERASING

You can erase files from the USB Stick or Memory Card Please read below for the details operation of this function:

ERASABLE MEDIA

- USB Stick and Memory Card.

NOTE ➔ Music files which are on the CD Disc is NOT ERASABLE By this unit.

ERASING MUSIC FILES ON THE MEDIA

There are THREE different methods for erasing files;

1. Erase while the Music File is playing.

- Long press BAND button to activate the ERASE mode
- The LCD will display **ERASE001** .
- Short Press the AUDIO to enter into the ERASE mode.
- Once enter into the erase mode. You can rotate the encoder volume knob to select “**Y**” as to confirm the erase or rotate the volume knob to select “**N**” as for cancel the erase mode. If no further button is press within 5 seconds time out. The unit automatically resume to the previous mode.
- Once the “**Y**” is display on the LCD, press the AUDIO button again to final confirm erase the present playback music file.

NOTE ➔ If want to CANCEL the erase of the present music file, Rotate the encoder volume knob to “**N**”. Once the “**N**” is displayed on the LCD, press the AUDIO button again to cancel the erase mode.

- After pressing AUDIO button to start the ERASE, the present playing music file will stop and the erasing will start at the same time.
- **ERASE OK** will display on the LCD after the music file erase is successful, and the unit will automatically start playback the next music file.

2. Erase under Files Number Search Mode

User can select the Music file Number want to erase by file Number Search mode




- After selected the file number want to erase, Long press the BAND button to activate the ERASE mode.
- The LCD will display **ERASE001** .
- Short Press the AUDIO to enter into the ERASE mode
- Once enter into the erase mode. User can rotate the encoder to select “**Y**” to confirm the erase or rotate the volume knob to select “**N**” to cancel the ERASE mode. If no further button is press within a 5 second time out. The unit automatically resume to the previous mode.
- Once the “**Y**” is displayed on the LCD, press the AUDIO button to final confirm to erase the selected music file.



NOTE ➔ If want to CANCEL the erase of the present music file, Rotate the encoder to “**N**”. Once the “**N**” is display on the LCD, press the AUDIO button again to cancel the erase Mode.

- After pressing AUDIO button to start the ERASE, the present playing music file will Stop and the erasing will start at the same time
- **ERASE OK** will display on the LCD after the music file erase is successful, and the Unit automatically start playback of the next music file.

3. Erase under Files NAVIGATE search mode

You can select a Music file want to erase by files Navigate Search mode

- After selected the music file want to erase by files navigate search, Long press BAND button to activate the ERASE mode.
- The LCD will display **ERASE001**.
- Short Press the AUDIO button to enter into the ERASE mode
- Once Enter into the ERASE mode, user can rotate the encoder to select “” as to confirm the erase or rotate the volume knob to select “” to cancel the ERASE mode. If no further button is press within a 5 second time out. The unit will automatically resume to the previous mode.
- Once the “” is displayed on the LCD, press the AUDIO button again to final confirm Erase the selected music file.

NOTE If want to CANCEL the erase of the present music file, Rotate the encoder to “”
Once the “” is display on the LCD, press the AUDIO button again to cancel the erase mode.

- After pressing AUDIO button to start the ERASE, the present playing music file will stop and the erasing will start at the same time.
- **ERASE OK** will display on the LCD after the music file erase is successful and the unit will automatically start playback of the next music file.

▲ WARNING:

- 1) Do not switching mode of the unit during the Erasing
- 2) Do not turn off the Power of the unit during the Erasing
- 3) Do not switch the Ignition key off during the Erasing
- 4) Do not detach the front panel during the Erasing

16. FILES MANAGER

The advance "File Management." System of this unit can help to well you organize all the music files just like a PC . Pls read below for details:

FOLDERS MANAGEMENT

This unit will automatically self-create the below default folders onto any USB /SD / MMC media device, once these devices are inserted into the unit.

MY_CD : Folder for saving all the music files source from CD Disc

MY_MP3: Folder for saving all the MP3 music files transfer from other device

MY_WMA: Folder for saving all the WMA music files transfer from other device

MY_AUX : Folder for saving all the music files source from AUX Line In

MY_iPod: Folder for saving all the music files source from iPod Player

FILES MANAGEMENT

This unit will automatically self-create the file name following with the Folder Name, for example:

Music file which recorded from CD disc, the file name 'CD0001.MP3' will be automatically created & saved in the respective folder.

17. iPod OPERATION

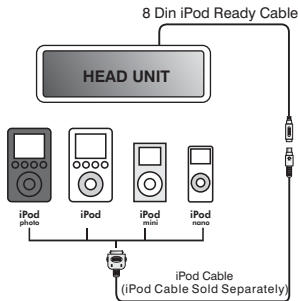
This unit is equipped with iPod Ready function which allow end user to have direct control of the iPod on the front panel control button and display iPod song information on the unit's LCD display. Pls read below for more details operation

iPod Compatibility Chart

This unit is support following iPod software version

iPod 1G	Not Supported
iPod 2G	Not Supported
iPod 3G	Firmware Version 2.2
iPod Mini	All versions
iPod 4G	All versions
iPod Photo	All versions
iPod Nano	All versions
iPod 5G(Video)	All versions

Connect the iPod to this unit




About Video File

This unit is **NOT ABLE** to select any VIDEO FILE OR VIDEO ALBUM which contained in the iPod Video. This unit will only automatically select Music Album or File regardless the connected Video iPod last playing is a Video File or Album.

Turning iPod Power On and Off

The iPod power turns on automatically as soon as it is connected to the 30 Pin Connector and as long as the vehicle's ignition is turned ON. The iPod power can be turned OFF by removing the iPod from the 30 Pin Connector or if the vehicle's ignition is turned OFF. Under this condition the iPod will go into pause mode and goes into sleep mode about 2 minutes later

NOTE While the iPod is connected, the power cannot be turned on or off from the iPod itself.

Tips “  ” to disconnect will be shown in the iPod's display while it is connected to the unit .

iPod Battery Charging

While connected to the unit, the iPod will automatically start re-charging as long as the vehicle's ignition key is turn to ACC or ON.

Switch to iPod Mode

When the Head unit is power on and iPod is connected to the 30 pin connector, press the mode button to change to iPod mode and the unit will display **iPod** for a while then starts **Reading** the music files contained in the iPod and the playback will automatically start. Press Mode button repeatedly to change to other modes or switch back to iPod mode.

iPod information Display on the Head Unit LCD

This unit can display the Song, Artist, Album name and Elapsed time on the LCD display, these information can be displayed by pressing the AS/PS button repeatedly while a iPod Song file is playing

Searching a Desire Song

Under iPod playback mode, press BAND to enter into the iPod Searching Mode. Pressing BAND button repeatedly to accesses the different searching methods as below :

- 1) **Playlist**
- 2) **Artist**
- 3) **Album**
- 4) **Song**
- 5) **Genre**

Once selected the desire searching method, within 10 second press the AUDIO button as confirm & access into the searching mode, then turn the rotate encode volume knob to navigate thru the Album or Artist or Song contained in the iPod. Press the AUDIO button to confirm & play the selected song. During the searching mode, press AS/PS as quick move back to the last upper level of Album, Playlist, Genre, etc.

Song Select

Press the Track UP (>>) or Track DOWN (<<) button for less than one second to skip to the next or previous song. Press and Hold Track UP (>>) or Track DOWN (<<) button for more than 3 seconds to fast forward or fast reverse of the current song.

Song Repeat / Repeat All play :

Long press the M3 button for more than 3 seconds during iPod playback mode for "REPEAT ALL". All songs of the current album will be kept on repeat playing until the "Repeat All" function is disabled. To disable current Album "REPEAT ALL" function, long press M3 button more than 3 seconds

Press the M3 button for less than 3 seconds to "REPEAT PLAY" the current song. And keep on repeat playing the current song until the "REPEAT PLAY" function is disabled. To disable current song "REPEAT PLAY", press the M3 button less than 3 seconds

Shuffle play: / Shuffle Album

Long press the M4 button for more than 3 seconds during iPod playback mode to activate the "SHUFFLE ALBUM" function. This function allows RANDOM playback of all the albums contained on the iPod. To disable "SHUFFLE ALBUM" function, long press M4 button for more than 3 seconds.

Press the M4 button for less than 3 seconds during iPod playback mode to activate "SHUFFLE PLAY". This function allows the playback of all the songs in the iPod in random sequence. To disable "SHUFFLE PLAY", short press M4 button again for less than 3 seconds.

18. BLUETOOTH HAND FREE OPERATION

User Guide For Bluetooth Operation

1. When user use our Bluetooth HEAD UNIT, please make sure the mobile phone you use must / does support Bluetooth functions (Headset or Handsfree profiles or both)
2. Before you start to use our Bluetooth HEAD UNIT, please make sure complete pairing with your mobile phone first. Please refer to the user manual, section "PAIRING" for detail "PAIRING" instruction. To ensure the best reception for Pairing or Re-connection, please make sure the Phone Battery is fully charged when making the Pairing or Re-connection.
3. Please always try pairing the Mobile Phone with Head unit after a few minutes of the Mobile Phone was Switched On to ensure the best pairing result.
4. "BT60" is this unit device model number which is displayed on the mobile phone.
5. To achieve the best performance, please always keep the Mobile Phone within 3 meters of the Head unit.
6. Please always keep a clear path between the Mobile Phone & the Head unit.
7. Never put any metal object or any obstacle between the path of the Mobile Phone & the Head unit.
8. Some brand of Mobile Phone like Sony Ericsson may have "Power Saving Mode" selection when Bluetooth mode is switched on. **PLEASE DO NOT** Switches ON Power saving Mode when operating with this Head Unit, as some abnormal communication behavior will happen occasionally if Power Saving Mode is switched on.
9. Before user make Outgoing call or Incoming call, make sure the mobile phone's "Bluetooth function" was switched "ON".
10. To ensure the best conversation quality / performance, please always keep talking within 1 meter of the Head Unit.
11. If user want to Dis-connect the Head unit with the Mobile Phone, please switch "OFF" Bluetooth connectivity on the Mobile Phone, or go to the system menu, "dis-connect" to disconnect the Bluetooth connectivity manually. (please refer to the user manual, section "dis-connection of the Bluetooth system for details instruction.)
12. Some Mobile Phones can support "IN BAND RING TONE", such as Nokia. In such case, the Incoming Ringing Tone will be same as the original Ring-tone of the Mobile Phone. But some Mobile Phones like Sony Ericsson do not support this feature. The Ring-tone will be using the standard Ring-tone of the Head unit.
13. **When in telephone mode, during talking, it is highly recommended to set the volume to below 30 in order to achieve the best sound quality. As if the volume is too high, it may create unwanted echo inside the car, and this unwanted echo may feedback into the microphone.**
14. If the Bluetooth related operation is not performing normally, like cannot make pairing, cannot making an outgoing call, User can try to make a SOFT-RESET of the Bluetooth module by removing / detaching the panel from the main unit and waiting for about 1 min. Then re-attach the panel to the unit & retry the Bluetooth operation again. Or user can RESET the whole unit by pressing the RESET button behind the panel.

NOTE ➔ By pressing the RESET button all the stored memory will resume to factory default

FAQ (Frequency Asking Questions)

Q: Under phone conversation, if the voice output from the car's speakers is not loud enough.

A: Try increase the volume level of the head unit to a suitable sound level

Q: Under phone conversation, the "Listener" cannot hearing my voice loud enough

A: First, try asking the 'Listener' increase the volume level on his/her mobile phone, if still not loud enough, try to increase your mobile phone's volume.

Q: Under Phone conversation, the "Listener" can hear echo feedback.

A: Your unit's speaker volume level is too loud which cause the voice feedback into the built-in microphone, this can be corrected by decreasing the volume level.

Q: Under Phone conversation, the "Listener" complain the background is too noisy

A: May be you are in a noisy environment. Try close the car's window to shield the environment / background noise under phone conversation.

Q: If the Mobile Phone already paired with the headunit, but after several calls, the incoming calls cannot access thru the headunit.




A: May be the paired Mobile Phone lost the Bluetooth connection with the headunit. in this case, please go to the "MENU" & select "re-connect" to reconnect the headunit with the paired Mobile Phone. For details, please refer to the MENU operation "re-connection".

Bluetooth Mobile Phone Compatibility List

This unit can support Bluetooth specification v1.2 or higher, and compatible with Bluetooth profiles such as handsfree or headset profiles. However, the functionality may be limited due to some phones' own dedicated interfacing specification.

This list is only updated to the time this list is being printed. This list gives an example of Bluetooth mobile phone available on the market, if your Bluetooth mobile phone is not on the list, please try it out in practice or try your phone at the local dealer or consult with the local dealer in case it is not mentioned in the list.




1. Sony Ericsson

							
		Z600 (Advance)	Z600 (Save mode)	T630 (Advance)	T630 (Save mode)	K700i	S700i
Features							
Caller ID		✓	✓	✓	✓	✓	✓
Pairing	Pairing	✓	✓	✓	✓	✓	✓
	Pairing cancel	✓	✓	✓	✓	✓	✓
In-Band Ring Tone		✗	✗	✗	✗	✗	✗
Ringing	Talk	✓	✓	✓	✓	✓	✓
	Reject	✓	✓	✓	✓	✓	✓
Audio Transfer		✓	✓	✓	✓	✓	✓
Talking	Volume up/down	✓	✓	✓	✓	✓	✓
	Hang up	✓	✓	✓	✓	✓	✓
Audio Transfer		✓	✓	✓	✓	✓	✓
Dialing	Volume up/down	✓	✓	✓	✓	✓	✓
	Redial last call	✓	✗	✓	✗	✓	✓

							
		Z800i	W800i	W550i (Advance)	W550i (Save mode)	W810i	
Features							
Caller ID		✓	✓	✓	✓	✓	
Pairing	Pairing	✓	✓	✓	✓	✓	
	Pairing cancel	✓	✓	✓	✓	✓	
In-Band Ring Tone		✗	✗	✗	✗	✓	
Ringing	Talk	✓	✓	✓	✓	✓	
	Reject	✓	✓	✓	✓	✓	
Audio Transfer		✓	✓	✓	✓	✓	
Talking	Volume up/down	✓	✓	✓	✓	✓	
	Hang up	✓	✓	✓	✓	✓	
Audio Transfer		✓	✓	✓	✓	✓	
Dialing	Volume up/down	✓	✓	✓	✓	✓	
	Redial last call	#1	✓	✓	✓	✓	

2. Nokia




						
	8910	6600	6230	N90	7600	N91
Features						
Caller ID	✓	✓	✓	✓	✓	✓
Pairing	Pairing	✓	✓	✓	✓	✓
	Pairing cancel	✓	✓	✓	✓	✓
Ringing	In-Band Ring Tone	✓	✓	✓	✓	✓
	Talk	✓	✓	✓	✓	✓
	Reject	✓	✓	✓	✓	✓
Talking	Audio Transfer	✓	✓	✓	✓	✓
	Volume up/down	✓	✓	✓	✓	✓
	Hang up	✓	✓	✓	✓	✓
Dialing	Audio Transfer	✓	✓	✓	✓	✓
	Volume up/down	✓	✓	✓	✓	✓
	Redial last call	✓	✓	✓	✓	✓

						
	6111	6230i	7380			
Features						
Caller ID	✓	✓	✓			
Pairing	Pairing	✓	✓			
	Pairing cancel	✓	✓			
Ringing	In-Band Ring Tone	✓	✓			
	Talk	✓	✓			
	Reject	✓	✓			
Talking	Audio Transfer	✓	✓			
	Volume up/down	✓	✓			
	Hang up	✓	✓			
Dialing	Audio Transfer	✓	✓			
	Volume up/down	✓	✓			
	Redial last call	✓	✓			



3. Motorola

						
	V600	E398	V501	V3	V80	V3X
Features						
Caller ID	✓	✓	✓	✓	✓	✓
Pairing	Pairing	✓	✓	✓	✓	✓
	Pairing cancel	✓	✓	✓	✓	✓
Ringing	In-Band Ring Tone	✓	✓	✓	✓	✓
	Talk	✓	✓	✓	✓	✓
	Reject	✓	✓	✓	✓	✓
Talking	Audio Transfer	✓	✓	✓	✓	✓
	Volume up/down	✓	✓	✓	✓	✓
	Hang up	✓	✓	✓	✓	✓
Dialing	Audio Transfer	✓	✓	✓	✓	✓
	Volume up/down	✓	✓	✓	✓	✓
	Redial last call	✓	✓	✓	✓	✓

4. Panasonic & Sharp

						
	Panasonic X88	GX-T15	GX-T71			
Features						
Caller ID	✓	✓	✓			
Pairing	Pairing	✓	✓			
	Pairing cancel	✓	✓	✓		
Ringing	In-Band Ring Tone	✗	✗	✗		
	Talk	✓	✓	✓		
	Reject	✓	✓	✓		
Talking	Audio Transfer	✓	✓	✓		
	Volume up/down	✓	✓	✓		
	Hang up	✓	✓	✓		
Dialing	Audio Transfer	✓	✓	✓		
	Volume up/down	✓	✓	✓		
	Redial last call	✓	✓	✓		

5. Siemens & BenQ

						
	S55	S88				
Features						
Caller ID	✓	✓				
Pairing	Pairing	✓	✓			
	Pairing cancel	✓	✓			
Ringing	In-Band Ring Tone	✓	✓			
	Talk	✓	✓			
	Reject	✓	✓			
Talking	Audio Transfer	✓	✓			
	Volume up/down	✓	✓			
	Hang up	✓	✓			
Dialing	Audio Transfer	✓	✓			
	Volume up/down	✓	✓			
	Redial last call	✓	✓			

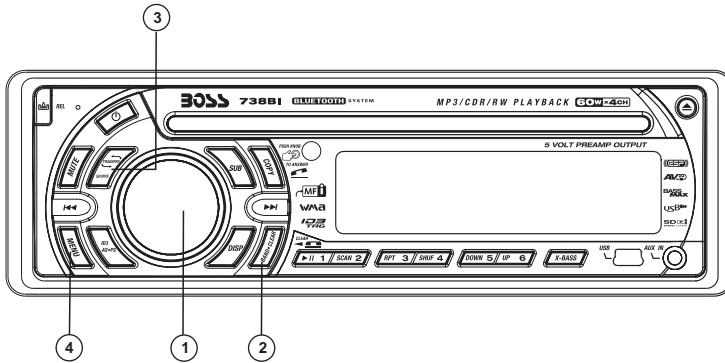
6. Dopod & MIO & Blackberry

						
	818	565	A700	8700		
Features						
Caller ID	✓	✓	✓	✓		
Pairing	Pairing	✓	✓	✓	✓	
	Pairing cancel	✓	✓	✓	✓	
Ringing	In-Band Ring Tone	✗	✗	✗	✓	
	Talk	✓	✓	✓	✓	
	Reject	✓	✓	✓	✓	
Talking	Audio Transfer	✓	✓	✓	✓	
	Volume up/down	✓	✓	✓	✓	
	Hang up	✓	✓	✓	✓	
Dialing	Audio Transfer	✓	✓	✓	✓	
	Volume up/down	✓	✓	✓	✓	
	Redial last call	✓	✓	✓	✓	

7. Samsung & LG

						
	D508	D528	KG320			
Features						
Caller ID	✓	✓	✓			
Pairing	Pairing	✓	✓	✓		
	Pairing cancel	✓	✓	✓		
Ringing	In-Band Ring Tone	✗	✗	✓		
	Talk	✓	✓	✓		
	Reject	✓	✓	✓		
Talking	Audio Transfer	✓	✓	✓		
	Volume up/down	✓	✓	✓		
	Hang up	✓	✓	✓		
Dialling	Audio Transfer	✓	✓	✓		
	Volume up/down	✓	✓	✓		
	Redial last call	✗	✗	✓		

Bluetooth Hand Free Panel Function Key Matrix



	Panel Function Button	Bluetooth Hand Free Function
1	PHONE/AUDIO (Short Press)	Confirm to answer an incoming call
2	CLEAR/BAND (Short Press)	1. Reject Incoming call 2. End a call
3	MODE (Long Press)	Transfer Phone Conversation back to Mobile Phone
4	MENU (Short Press)	Pairing / Re-Connection etc Note: See Menu operation for more details.

PAIRING

Pairing The Bluetooth System Between User's Mobile Phone & The Unit

- Access into MENU - PAIRING mode to activates the operation of Pairing .

NOTE ➤ Please see MENU Operation for more details of how to access into MENU mode .

- Once the **PAIRING** is appearing on the LCD Display, press the AUDIO button to activate the Pairing mode.

NOTE ➤ Keep the Mobile Phone within 2 meter from the unit when making the pairing.

- To terminate the pairing, you can press the “CLEAR / BAND” button at any time.
- Select the Bluetooth set up on the Mobile Phone.

NOTE ➤ Please refer to the instruction manual of your Mobile Phone on how to enter into the Bluetooth set up and Blue tooth on / off, and blue tooth pairing.

- “BT60” should appear in the pairing list on the Mobile Phone. User need to select “BT60” and then input the password “1234”.
- If the pairing is successful, the display will show Mobile Phone Name or Model Number.
- If the pairing failed, “**PAIRFAIL**” will be flashing on the Display for 3 seconds. And the unit will switch back to the previous mode automatically.

NOTE ➤ During the Pairing, only Power, Clear ,Volume +/- & Mute are functional, other function keys are disabled & non-operational during the pairing mode.

Re-Connection Of The Bluetooth System

The unit is with built -in Auto-Reconnection function. In some conditions, user need to reconnect manually. For example like the following.

- If The Mobile Phone is out of range. (2 meters away from the Head unit) Under the condition of lost connection when the user come back to the unit. At the same time, there is an incoming call or user is under conversation on the Mobile Phone 2 meters away from the Head Unit and come back to Head unit.
- If user wants Audio Transfer back from Mobile Phone to Head unit. It needs to re-connect manually.

The unit can be re-connected by the following methods.

- Access into MENU - RE-CON mode to activate the manual RE-Connection.

NOTE ➤ Please see MENU Operation for more details of how to access into MENU mode.

- Once the **RE-CON** is display on the LCD , press the AUDIO button to activate the manual Re-Connect mode.

NOTE ➤ 1.Keep the Mobile Phone within 2 Meter from the unit when making the connection.

NOTE ➤ 2.The manual re-connect is only function with the Mobile Phone has already been paired with the unit before.

- The LCD Display will displayed “**WAIT**” during the connecting period.
- If the re-connection is successful, the LCD Display will display “**OK**” . And the unit will switch back to the previous mode automatically.
- If the re-connection failed, the LCD Display will display “**FAIL**” . And the unit will switch back to the previous mode automatically.

The unit will be Auto Re-Connection by following operation .

- Every time turn the ignition key from off to on, the unit will Auto re-connect with the Mobile Phone.

Dis-Connection of the Bluetooth System

The unit have a option function for user to disconnect the Bluetooth system with the unit.

The unit can be Dis-connected by the following methods.

- Access into MENU - DIS-CONN mode to activate the manual Dis-Connection.

NOTE Please see MENU Operation for more details of how to access into MENU mode.

- Once the “~~DIS-CONN~~” is display on the LCD, press the AUDIO button to activate the manual Dis-Connect mode.
- The LCD Display will displayed “~~WAIT~~ >>> ” during the Dis-connecting period.
- If the Dis-Connection is successful, the LCD Display will display “~~OK~~”. And the unit will switch back to the previous mode automatically.

INCOMING CALL

ANSWERING AN INCOMING CALL

- When there is an incoming call, the display will display the Phone Number. If the incoming call has no caller number, the LCD will displa ~~PHONE IN~~ user can short press the “PHONE” (Audio) button answer / accept the call.

NOTE Always press the “PHONE” (AUIDIO) button answer / accept the call **after** the LCD display the “ Incoming caller telephone number ”.

NOTE The audio output of the present mode will be muted and the ringing tones will be heard, if an incoming call is not being answered.

- User can use the volume up/down to adjust the volume level.
- To end the conversation, press the “CLEAR / BAND” button. The unit will switch back to the previous mode automatically and release the mute of the previous mode at the same time.

NOTE An Incoming call under stand by mode (Ignition on & Power Off) The system will automatically switch on the head unit.

NOTE While there is an Incoming call or under talking mode, the Panel Open/Eject key is dis-activated.

Rejecting An Incoming Call

- User can press “CLEAR / BAND” button to reject the incoming call.

NOTE The audio output of the present mode will be muted and the ringing tones will be heard if an incoming call is not being answered. After pressing the “CLEAR / BAND” button, the mute of the present mode will be released.

OUTGOING CALL

Making An Outgoing Call

- User can use his / her Mobile Phone to dial and make an outgoing call. Once the user has completed the dialling, the display should show “ **CALL >>>** ”.

NOTE

The audio output of the present mode will **ONLY** be muted after pressing the “PHONE” button as a confirmation to dial the outgoing call.

While there is an outgoing call or under talking mode, the Panel Open/Eject key is deactivated.

- During the talking mode, the LCD Display will display the duration “ **TALK 001** ” of the conversation.
- User can use the volume up/down to adjust the volume level.
- To end the conversation, press the “CLEAR / BAND” button. The unit will switch back to the previous mode automatically. The mute of the previous mode will be released at the same time.
- During the talking mode, if the Ignition is being turned off, the unit will keep the conversation even if the Ignition is Switched off. After finished the conversation, User can press “CLEAR / BAND” button to switch off the unit.

CALL TRANSFER

TO AUDIO TRANSFER FROM HEAD UNIT BACK TO THE MOBILE PHONE

- During the talking mode, user can long press the “TRANSFER / MODE” button to transfer the audio from the unit back to the Mobile Phone for privacy reason. The LCD Display will display “ **TRANSFER** ” on the LCD for 3 seconds.

NOTE

After the “TRANSFEER / MODE” button is pressed, the present mode will be muted at the same time, user can press the Mute button to release the Mute.

NOTE

When making an outgoing call, it's not possible to CALL TRANSFER if the call is not being answered yet.. It's only possible to Transfer the call to Mobile Phone after the call is being answered.

NOTE

Depending on different type of Mobile Phone, the time need for activating the CALL TRANSFER mode is different. Like Nokia Mobile Phone usually takes 3-5 seconds after pressed the “TRANSFER / MODE” button for audio transfer back or forth through Unit to Mobile Phone.

HIGHLIGHT FEATURE

- Incoming call ringing volume.
Preset the Ringing volume level for any incoming call.

NOTE

Please see “MENU”- “PHONE VOL” for details operation.

Bluetooth Audio Streaming A2DP (Advanced Audio Distribution Profile)

User can listen to music files on an audio device on this unit if the audio device supports A2DP (Advanced Audio Distribution Profile) of Bluetooth Technology. Please read the below instruction before operating the Bluetooth Audio streaming function on this unit.

Connecting A Bluetooth Audio Device With This Unit

Before using audio device to play music on this unit, the audio device must be paired with this unit first.

- NOTE** ➤ a. For the details operation of Pairing with this unit, Please refer to the PAIRING operation for more details.
b. How to use the Bluetooth audio device to pair with this unit, please refer to the instruction manual of the Bluetooth device.

TIPS If the audio device has both HFP (Hands Free Profile) and A2DP (Advance Audio Distribution Profile), this unit will automatically pairing these two profiles at the same time. For ex, if a mobile phone has both HFP & A2DP profile and this mobile phone is already HFP paired with this unit, in this case A2DP audio device pairing is not necessary. And this paired mobile phone will be added automatically to the list of PAIRED DEVICE – AUDIO of this unit. Please refer to MENU of BT for details of PAIRED DEVICE operation.

Listening To Music From An Audio Device In This Unit

- (1) Connect this unit with the audio device.

NOTE ➤ For the details operation of connecting with this unit, Please refer to the CONNECTING operation for more details.

- (2) Press MODE button repeatedly until “BT AUDIO” appears on the display.

IMPORTANT: To listen Bluetooth audio streaming from the audio device, user **MUST** change the mode to “BT AUDIO” first. Any other mode of this unit is not able to activate the Bluetooth audio streaming (A2DP) function.

NOTE ➤ If the audio device is the connectivity or no audio device is connecting with this unit, after mode changed to BT AUDIO mode, the display will show **BT AUDIO**, and if after a 20 seconds time out still cannot find any audio device for connecting, the unit will display **NO DEVICE** for 3 seconds then turn to the Tunner Mode.

- (3) Once in the “BT AUDIO” mode, user can use the audio device to start playback the song via Bluetooth wireless with this unit.

NOTE ➤ When mode change to BT AUDIO mode, some of the audio device may auto playback the music without operate the music playback operation and some of the device like mobile phone may need to first change into the 'Media Player' mode on the mobile phone otherwise the song cannot be direct playback via Bluetooth wireless. If the auto playback not support on the audio device then please refer to the instruction manual of the audio device on how to operate music playback via Bluetooth wireless technology.

Operating an audio device with this unit AVRCP (Audio Video Remote Control Profile)

This unit can perform the following operations with the connecting Audio device which supports AVRCP (Audio Video Remote Control Profile) & only if the Audio device does support AVRCP.

- (1) Start playing - Every time when user change mode into “BT AUDIO” mode, this unit will automatically send a “PLAY” command via AVRCP to the audio device to command the auto start playing song in the audio device.

NOTE The PLAY command may differ depending on the Audio device. If the Audio device is not able to auto start playing a song after changing mode into “BT AUDIO” mode, user may need to operate the PLAY mode on the audio device to start the song playback.

- (2) Track up / down - by pressing the Track up / down buttons on this unit.
- (3) Pause / Play – by pressing the Pause / Play button on this unit.
- (4) Volume up / down – by rotating the encoder knob on this unit.
- (5) Audio Mute – by pressing the Mute button on this unit.
- (6) Stop playback – by mode changing mode into any other mode of this unit.

NOTE The AVRCP operation may differ depending on the audio device, all the other operation other than those listed above should be performed on the audio device.

Hands-free Phoning While Bluetooth Audio Streaming

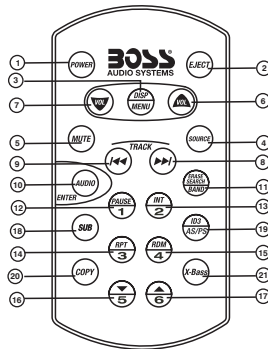
If the connecting playback audio device is a mobile phone, all the hands free function is still available under the Bluetooth audio streaming, like the answering incoming call, making an outgoing call, etc.

Disconnecting An Audio Device With This Unit

User can close the Bluetooth Audio connection by disconnecting with the audio device.

NOTE The details operation of disconnecting with this unit, please refer to the DIS-CONNECTION operation for more details.

19. REMOTE FUNCTION



OPERATIONS:

KEY	SYSTEM		TUNER		CD/MP3/WMA		iPod	
	Short Press	Long Press	Short Press	Long Press	Short Press	Long Press	Short Press	Long Press
1	Power							
2	Panel Open & Close				Eject			
3	Display	Menu						
4	Source				Enter			
5	Mute							
6	Volume Up							
7	Volume Down							
8			Seek Up	Tune Up	Track/File Up	Fast Forward	File Up	Fast Forward
9			Seek Down	Tune Down	Track/File Down	Fast Backward	File Down	Fast Backward
10	Audio Menu				Enter		Enter	
11			Band		File/Folder Search	File Erase	iPod Search	
12			M1	Memory 1	Pause /Play		Pause /Play	
13			M2	Memory 2	Intro	Folder Intro		
14			M3	Memory 3	Repeat	Folder Repeat	Repeat	Album Repeat
15			M4	Memory 4	Random	Folder Random	Shuffle	Album Shuffle
16			M5	Memory 5	Folder Down			
17			M6	Memory 6	Folder Up			
18		Sub-W						
19			PS	AS	ID3		iPod information	
20		Copy						
21		ix-Bass						

Note: Please use Lithium Cell Cr2025 3V battery.

20. SPECIFICATIONS

CD PLAYER

System	Compact disc audio system
Usable disc	Compact disc
Sampling frequency	44.1KHz
No of quantization bits	1bit
Frequency	5-20,000Hz
Number of channels	2 stereo
S/N Ratio	70dB

MEDIA SECTION

USB Host	Host 1.1 compatibles 2.0
-----------------	--------------------------

Memory Card

Support Type of Memory Card	SD and MMC
-----------------------------	------------

RADIO SECTION

FM

Frequency Range	87.5-108 Mhz EURO 87.5-107.9Mhz U.S.
Intermediate Frequency	10.7 MHz
UsableSensitivity	Better than 15dB at S/N 30 dB
StereoSeparation	25 dB at 1KHz
S/NRatio	50 dB

AM/MW

Frequency Range	522-1620 Khz EURO 530-1720 Khz U.S.
Intermediate Frequency	450KHz
UsableSensitivity	Better than 45dB
S/NRatio	40 dB

BLUE TOOTH

Power Consumption	200mA Max.
Output Power	0 dBm (Class II)
Frequency Band	2.4GHz ~ 2.4835GHz ISM Band
Range	3 meters (free space)
Standard	Bluetooth 1.2 specification

GENERAL

PowerSupply	DC 11 -14V
Polarity	Negative Ground
Speaker impedance	4 ohms
Power Output	4 x 60W

REMARK :

Specifications subject to change without notice.

21. TROUBLE SHOOTING

Before going through the check list, check wiring connection. If any of the problems persist after check list has been made, consult your nearest service dealer.

Symptom	Cause	Solution
No power	The car ignition is not on.	If the power supply is properly connected to the car accessory terminal, switch the ignition key to "ACC"
	The fuse is blown.	Replace the fuse.
Disc cannot be loaded or ejected	Presence of CD disc inside the player.	Remove the disc in the player, then put a new one.
	Inserting the disc in reverse direction.	Insert the compact disc with the label facing upward.
	Compact disc is extremely dirty or defective disc.	Clean the disc or try to play a new one.
	Temperature inside the car is too high.	Cool off or until the ambient temperature returns to normal.
	Condensation.	Leave the player to off for an hour or so, then try again.
No sound	Volume is in minimum.	Adjust volume to a desired level.
	Wiring is not properly connected.	Check wiring connection.
The operation keys do not work	The built-in microcomputer is not operating properly due to noise.	Press the RESET button. Front panel is not properly fixed into its place
Sound skips.	The installation angle is more than 30 degrees.	Adjust the installation angle to less than 30 degrees.
	The disc is extremely dirty or a defective disc.	Clean the compact disc or try to play a new one.
The radio does not work. The radio station automatic selection does not work.	The antenna cable is not connected.	Insert the antenna cable firmly.
	The signals are too weak.	Select a station manually.
ERROR 1	Mechanism Error	Press the reset button to correct the problem. If the error code does not disappear, consult your nearest service dealer.
Write Error	The Media Device not able to copy by the unit.	Replace the Media Device or
Read Error	The Media Device not able to play file by the unit	Replace the Media Device or
Memory Full	The media device memory is full not allow to copy	Replace the Media device or erase some un-usage files.
No File	No file Format supports for Playback on the disc or Media Device	Replace the disc or Media Device..
Disc Error	Maybe disc dirty / disc scratched /disc upside down.	Replace the disc.



If at any time in the future you should need to dispose of this product please note that Waste electrical products should not be disposed of with household waste. Please recycle where facilities exist. Check with your Local Authority or retailer for recycling advice.(Waste Electrical and Electronic Equipment Directive)

738BI

**BLUETOOTH®-ENABLED
MP3-COMPATIBLE IN-DASH CD RECEIVER WITH
FRONT PANEL AUX INPUT AND USB PORT**

WITH FULL iPod CONTROL

11.2008

iPod is a trademark of Apple Computer, Inc.,
registered in the U.S. and other countries.

tech support: www.bossaudio.com/support



10 R - 02 0896

BOSS®
AUDIO SYSTEMS

BOSS Audio Systems • 3451 Lunar Court • Oxnard, CA 93030

www.bossaudio.com

800.999.1236