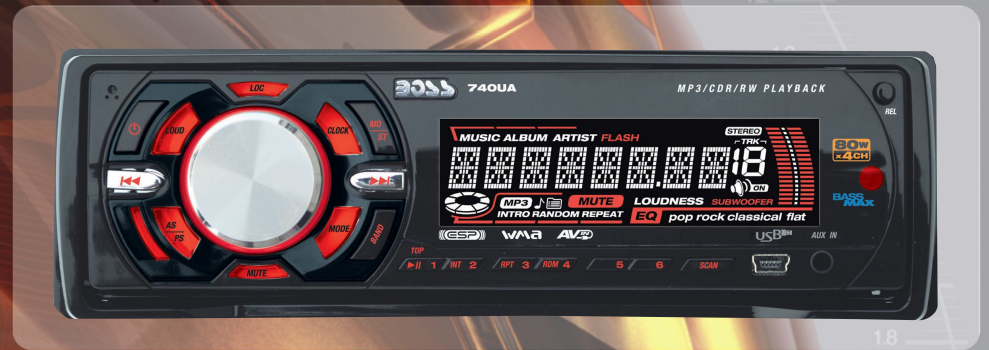


User's Manual

740UA
MP3- COMPATIBLE
IN-DASH CD RECEIVER WITH
FRONT PANEL AUX INPUT
AND USB PORT



740UA

MP3-COMPATIBLE IN-DASH CD RECEIVER WITH
FRONT PANEL USB PORT AND AUX INPUT

11.2007

tech support: www.bossaudio.com/support



BOSS Audio Systems • 3451 Lunar Court • Oxnard, CA 93030

www.bossaudio.com

800.999.1236

BOSS[®]
AUDIO SYSTEMS

BOSS[®]
AUDIO SYSTEMS

Preface

Thank you for purchasing this car audio product.

Please read this manual carefully before operating this car audio product.

Please keep this manual for future use. It will be helpful to you if you are encounter any operational problem.

Selecting fine audio equipment is only the start of your musical enjoyment.

Now it is time to consider how to maximize the enjoyment you will get from knowing how to work your new car stereo receiver.

We hope you enjoy using this product and encourage you to always listen at a moderate, safe sound level to avoid any possible hearing damage or loss.

If you listen to excessively loud sound over time, your hearing can adapt to higher volumes and what sounds "normal" to you may be quite harmful and can cause you to have permanent hearing loss. So please practice "safe sound" and always listen at moderate sound levels only.

Start with your volume control at the lowest setting, and slowly increase the level until you can hear it comfortably and clearly, free from distortion.

Once you have established this comfortable sound level, leave it there.

WARNING!

To reduce the risk of fire or electric shock, do not use the unit in the rain or moisture environment.

To prevent direct exposure to laser beam, do not try open the enclosure.

Visible and invisible laser radiation when open and interlocks defeated.

To protect our environment, do not dispose of electrical equipment in the domestic waste. Please return any electrical equipment that you will no longer use to the collection points provided for their disposal.

This helps avoid the potential effects of incorrect disposal on the environment and human health. This will contribute to the recycling and other forms of reutilization of electrical and electronic equipment. Information concerning where the equipment can be disposed of can be obtained from your local authority.

SPECIFICATION

GENERAL

Supply Voltage	DC 12 V. Negative Ground
Current Consumption	Max.10A
Power Output	80Watts X 4 (Measured at DC 14.4 V)
Number of channels	2 STEREO channels.
Unit Dimensions	178[W] X 165[D] X 50[H] mm.

FM SECTION

Frequency range	87.5MHz -107.9MHz
Effective sensitivity	3uV.
I.F Frequency	10.7MHz.

AM SECTION

Frequency range	530KHz - 1710KHz
Effective sensitivity	40dB.
I.F Frequency	450KHz

RCA LINE OUT

Output	1200mV @ CD MAX.
--------	------------------

CD PLAYER

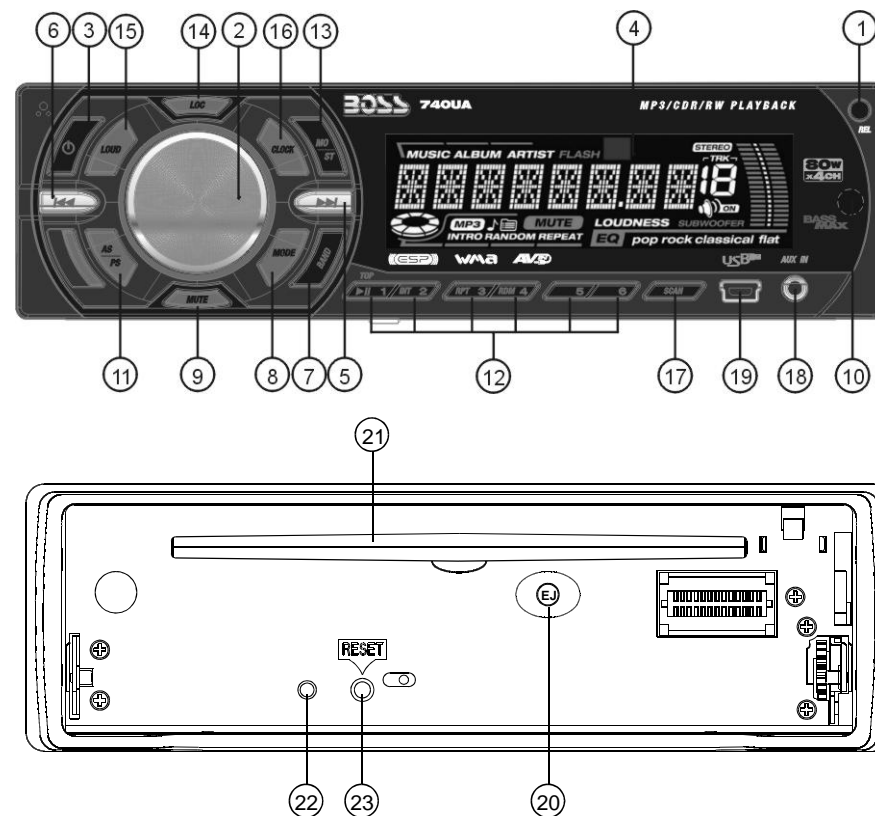
System	MP3 Audio System.
Suitable CDs	MP3, WMA, CD,CD-R,CD-RW Disc
Frequency characteristics	20Hz-100Hz ≤ 5dB 10KHz-20KHz ≤ 5dB.
S/N Ratio to CD	50dB [1KHz]

TROUBLE SHOOTING

Before using the check list please make all the connections first.
If you still have questions after going through the checklist, please consult your local customer service representative.

Common Symptoms	Cause	Solution
There is no power.	The car ignition is switched off.	If the power supply is properly connected to the car accessory, switch the ignition key to "ON" or "ACC".
	The fuse has blown.	Replace another fuse according to the wiring diagram.
The CDs cannot be loaded.	Presence of CD disc inside the player	Remove the disc in the player then put a new upward
The CDs are loaded only halfway into the CD tray.	The transport screws have not been removed.	Remove the transport screws before using.
The device does not work correctly (EJECT, LOAD, PLAY)	Inserting the disc in upside down	Insert the compact disc with the label facing upward
	The surface of CD is extremely dirty or it is damaged.	Clean the CD or try another CD, if this works correctly, the first CD is properly damaged.
	Temperature inside the car is too high.	Cool off until the ambient temperature returns to normal
There is no sound.	The volume control is set too low.	Turn up the volume properly.
	The device has not been correctly connected.	Check the power and earth connection according to the wiring diagram.
The operation keys do not work	1.The built-in microcomputer is not operating properly due to noise 2.Front panel is not properly fix into its place	1. Switch the device off and on again. Or press the RESET button to resume the program. 2. Reinstall the front panel
The sound of the CD player skips	The installation angle is more than 30 degrees	Adjust the installation angle to less than 30 degrees
	The surface of the road is uneven.	Wait until the road becomes smoother before playing the CD.
	The surface of CD is extremely dirty or it is damaged.	Clean the CD or try another CD, if this works correctly, the first CD is properly damaged.
No radio reception.	The antenna cable is not connected.	Insert the antenna cable firmly into the antenna socket of the device.
In automatic search mode the radio does not stop at a transmitting station.	The transmission signals are too weak.	Tune in to a radio station manually.

LOCATION AND FUNCTION OF CONTROLS



- | | |
|---|--------------------|
| 1. OPEN BUTTON | 13. MO/ST BUTTON |
| 2. SEL BUTTON AND VOL KNOB | 14. LOC BUTTON |
| 3. POWER BUTTON | 15. LOUD BUTTON |
| 4. LCD DISPLAY | 16. CLOCK BUTTON |
| 5&6. >> and << BUTTON | 17. SCAN BUTTON |
| 7. BAND BUTTON | 18. AUX INPUT JACK |
| 8. MODE BUTTON | 19. USB SOCKET |
| 9. MUTE BUTTON | 20. EJECT BUTTON |
| 10. INFRARED REMOTE CONTROL SENSOR | 21. CD SLOT |
| 11. AS/PS BUTTON | 22. FLASHING LED |
| 12. TOP/> ,INT,RPT,RDM and 1-6 NUMBER BUTTON | 23. RESET BUTTON |

BASIC OPERATION:

1. To turn on/off the unit

Press any button except the EJECT and REL button to turn on the unit. It also can turn on the unit to insert disc or USB. Press the power button and hold for more than 0.5 seconds to turn off the unit.

2. To select playback mode

Press MODE button to select a different mode of operation as indicated on the display panel. Available modes include Tuner, CDP, USB and AUX.

3. To adjust the volume level

To increase the volume, rotate the volume knob clockwise. To decrease the volume, rotate the volume knob counter clockwise. When the volume is adjusted, the volume level will be shown on the display panel as a number ranging from 0 (lowest) to 46 (highest).

4. To mute or resume the sound

Press MUTE button momentarily to mute the audio volume, and MUTE will flash in the display. Press the mute button again to restore volume to the previous setting. To resume the sound immediately, can also press one of the MODE, BAND, SEL button or rotate the VOL knob.

5. To turn on/off LOUD mode

Press the LOUD button to turn on/off LOUD mode. When turning on the LOUD mode, it will enhance bass level immediately when the bass is not enough.

6. To display and adjust the clock time

A) Time display

Press the CLOCK button shortly to display time for 5 seconds, and then it returns to its previous display unless the button is pressed again.

B) Time adjustment

From the clock mode, press the CLOCK button and hold for more than 1 seconds to flash time and then rotate the VOL knob clockwise to adjust minute, rotate the VOL knob counter clockwise to adjust hour.

7. To select and adjust the mode of the sound and menu

A) To select and adjust the sound mode:

Press SEL button briefly and repeatedly to select the mode of VOL(volume),BAS (BASS)(without preset DSP), TRE(treble)(without preset DSP), BAL(balance) and FAD(FADER) in the sequence and circulation. In each mode, the waiting time is about 5 seconds, and when the waiting time is over, it will return to the the last display mode. After select a desired sound item, rotate the VOL knob on the front panel or press the + or - button on the remote controller to adjust level of the selected sound item.

CARE FOR USING CD'S:

About CD-R/CD-R/W discs:

In addition to commercially-recorded audio CD's, this unit can play CD-R and CD-R/W discs. In some cases, particularly when recorded on older CD burners, some CD-R and CD-R/W discs may not play. Also, whenever you are recording a CD for playback in this receiver, it is recommended that you record at 24x or slower speed for CD-R and 4x or slower for CD-R/W to achieve higher signal quality and better playback performance.

1. To keep the disc clean:

Do not attach any sticker or adhesive tape on the disc.

Handle the disc by its edge to keep the disc clean and do not touch the surface.

Before playing a disc, wipe it off with a clean, dust-free cleaning cloth.

Wipe the disc outwards from the disc center.

2. When one has already been inserted. Doing so may damage the unit. Inset a disc with labeled surface up, or it will damage the unit.

3. Do not expose the disc to direct sunlight or nearby heat sources such as heating vents, caliduct which can cause the disc to warp.

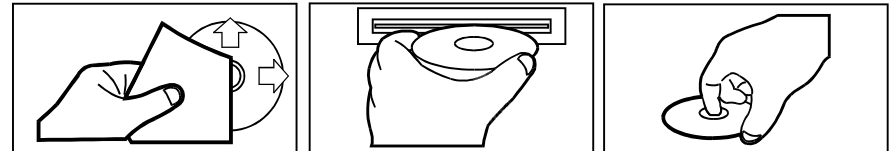
Do not leave disc in a car if it is parked in direct sunlight as that will lead to a considerable rise in the temperature inside the car.

4. Do not use any secondhand or rented disc, usually, there is glue on the surface of those discs, it will stop the unit working and damage it.

5. Always store the disc in its case for protection. Scratched up discs will produce poor sound performance and cause CD player to skip.

6. In raining day or wet area, the moisture may form on the disc or the optical parts. The playback may not be possible. If moisture forms on the disc, wipe it off with a soft cloth. If moisture forms on the optical parts of the unit, allow the unit to sit for about one hour with power on.

7. Do not use solvents such as benzine or thinners. Commercially available cleaners or anti-static spray will damage the unit.

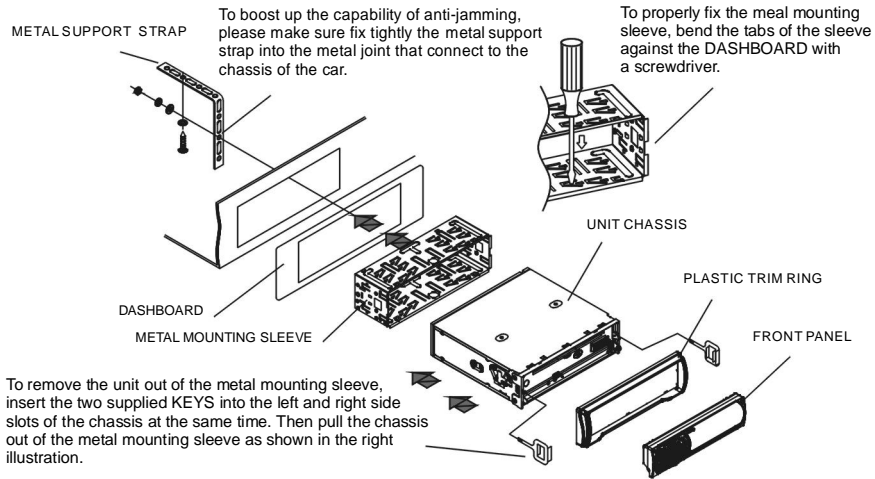


INSTALLATION METHOD

This is an anti-theft installation method.

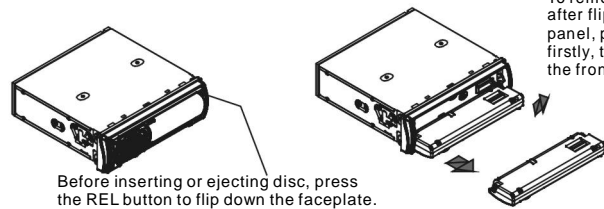
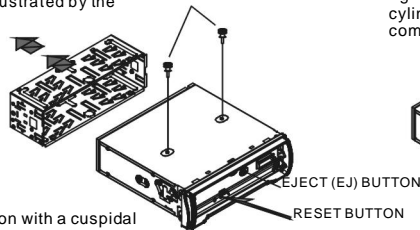
The main unit wears a METAL MOUNTING SLEEVE.

Please connect the wiring, eg, the Power Supply, the Speakers and the Antenna according to the requirements of this Instruction Manual, then install the metal mounting sleeve into the car as per the diagram illustrated below.



NOTE

Before mounting and operating the CD player, remove the metal mounting sleeve illustrated by the arrows.



B) To select and adjust the menu mode:
Press SEL button long to turn on MENU mode, and the LCD will display BEEP 2ND/BEEP ALL/BEEP OFF, then press SEL button shortly and repeatedly to select SEEK1/SEEK2(in RADIO mode), DSP OFF/FLAT/POP M/CLASSICS/ROCK, SUBW ON/OFF, VOL LAST/ VOL ADJ and ESP 6 / ESP 25 in the sequence and circulation. After selecting a desired mode, rotate the VOL knob on the front panel or press the + or - button to select one setup item of the desired mode.

C) BEEP 2ND/BEEP ALL/BEEP OFF:
BEEP 2ND mode: the beep is only generated when an allotted double key is pressed long(1second).
BEEP ALL mode: the beep is generated when every key is pressed(except power and release buttons).
BEEP OFF mode: the beep is disabled.

D) SEEK1/SEEK2:
SEEK1: press >>| or |<< button hold to seek up or down for the strong signal station. And then stop seek when received the strong signal station.
SEEK2: press >>| or |<< button hold to seek up or down for the strong signal station. And do not stop seek when received the strong signal station. After release it and then received the strong signal station, the seek will stop.

E) DSP OFF/FLAT/POP M/CLASSICS/ROCK
To select a preset EQ mode or turn off it.

F) VOL LAST/ VOL ADJ
VOL LAST: During playback, turn off the power and then turn on the power again, at the time, the volume level will be the one before turn off the power.
VOL ADJ: When it is in VOL ADJ mode, the next mode will be A-VOL after VOL ADJ mode, then you can adjust the defaulted volume level. The minimum value of the defaulted volume level you can set is 10.

G) ESP 6/ESP 25
To select the time of the electronic shock protection for disc playback.

8. To reset the unit

When the LCD displays wrongly or some function knobs are disable, press the REL button to flip down the front panel and then take it away from the unit chassis. Push the RESET button with one needle analog to reset the distorted program to zero.

9. To take away the front panel

Press the REL button to flip down the front panel and then take it away from the head unit. And the anti-theft LED indicator will flash all the time till the front panel is assembled back to the head unit.

RADIO OPERATION:

1. To select radio band

Under RADIO mode, press the BAND button shortly and repeatedly to select your desired radio band in sequence and circulation as follows:

-->FM1-->FM2-->FM3-->AM1-->AM2-->

2. To select the radio station manually or automatically

Under RADIO mode, short press the >>| or |<< button repeatedly to manually tune up or down for the desired radio station step by step. Long press the >>|/|<< button to automatically tune up or down for the radio station of strong signal.

3. To store the current station or turn on the preset station

A) Press one of 1-6 number buttons hold for more than 1 second until the second beep output to store the current station in the preset memory bank of the number button for the current band. So the unit can store 30 preset stations.

B) Press one of 1-6 number buttons shortly to turn on the preset station stored in the preset memory bank of the number button for the current band.

4. To automatically store for the strongest stations and scan for each stored stations

A) Long press the AS/PS button, it will search from the current frequency and check the signal strength until 1 cycle search is finished on current band, and then 6 strongest stations will be preset to the corresponding preset memory banks of the 6 number buttons. When the auto-storage operation is completed, it will turn on the preset station stored in the memory bank of the 1 button.

B) Short press the AS/PS button to scan for each preset station for the current band. When the field strength level is more than the threshold level of stop level, the radio is holding at that preset station for 5 seconds with releasing mute, while memory digital and frequency will flash on LCD, and then scan again. In FM band, FM1, FM2 and FM3 is checked one at a time.

5. To scan for strong signal of radio station

Press SCAN button to scan up by one channel step with station detection. If a valid signal has detected, the current frequency is blinked within 5 seconds, then press it again to stop scan and remain the current frequency; otherwise, the unit continue to scan up by one channel step with station detection 5 seconds later.

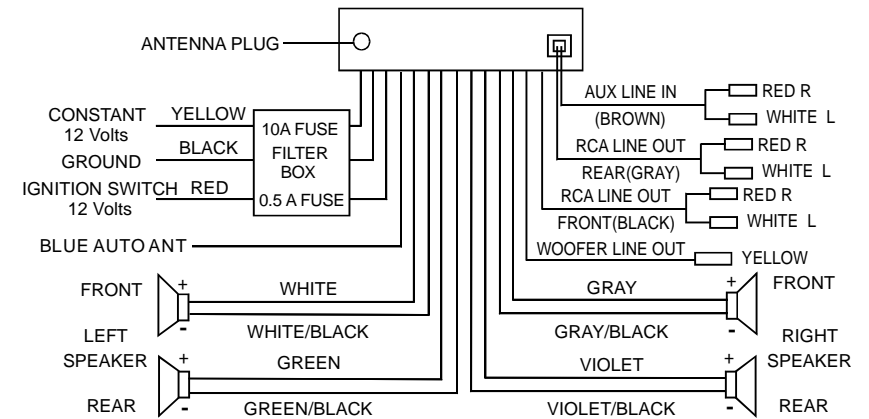
6. STEREO/MONO BUTTON

In FM mode, press the MO/ST button to select the STEREO or MONO sound mode.

7. LOC BUTTON

A) In FM mode, when the signal of the distance radio station are very weak and the receiving effect is bad during tuning, check whether there is the word LOC on LCD. If there is the word LOC on LCD, press this button to turn off the LOC function, then tune again for the distance radio station;

WIRING DIAGRAM

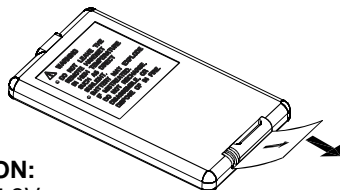


Note:

1. Make sure use a speaker with 4 ohm load impedance.
2. Do not make the auto antenna wire and ground touch each other.
3. Front AUX IN and rear AUX IN can not be connected to at the same time.

MAINTENANCE OF REMOTE CONTROL

An insulation tag was installed in your remote by the manufacturer to prevent the battery from draining. Removing the tag from the remote before using.

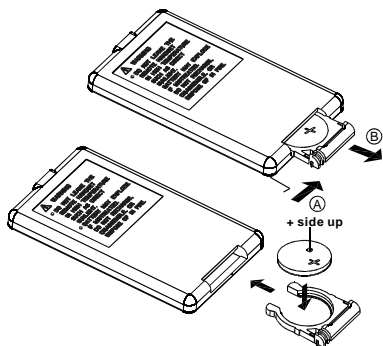


BATTERY INFORMATION:

Lithium Battery: CR2025 3V
Battery Life: Approximately 6 months.

Replacing the Battery from the Remote Controller:

- 1) Remove the battery holder by pressing the locking tab with your thumb and pulling it out.
- 2) Replace the battery with the same type and the “ + ” side facing up.
- 3) Gently push in the holder until securely locked into place.



WARNING:

- Do not recharge, disassemble or dispose of in fire.
- Battery leakage may cause damage to the unit.
- To avoid the risk of accident, keep batteries out of reach of children.

B) In FM mode, when the signal of the local radio station are too strong to lead that the interference to the receiving effect during tuning, press this button to turn on the LOC function to display the word LOC on LCD, then tune again for the local radio station.

USB or DISC OPERATION:

1. To load/unload disc

Press the REL button to flip down the front panel and then insert the disc into the disc compartment or press the EJ button to eject the disc from the disc compartment.

2. To load/unload USB storage

Insert the USB storage into USB socket, then the playing mode will be changed into USB mode and display USB on LCD, and then play the first track of USB.

NOTE: Always remember to switch off the unit's power or switch to other mode then remove out the USB Stick. Never try removing the USB Stick while playing music file on the USB stick. It may damage the USB stick and sometimes will caused the unit system lock up.

3. To select next or previous track to play

Under USB or DISC mode, press the >>| button to select next track to play. Press the |<< button within 1 seconds after selecting a track to select the previous track to play. Press the |<< button 1 seconds later after selecting a track to select the current track and play from the beginning of the current track.

4. To select next or previous 10 track to play for USB or MP3/WMA

Under USB or MP3 mode, short press M6 or M5 button to select next or previous 10 TRACK during normal play.

5. To play fast forward or backward

Under USB or DISC mode, during playback, press the >>|/|<< button and hold to skip forward or backward.

6. How to use the PLAY/PAUSE/TOP button

Under USB or DISC mode, during playback, press TOP button to pause USB or Disc playback, press TOP button again to resume USB or Disc playback. Press TOP button long to play the first track of the USB or Disc.

7. To scan tracks

Under USB mode, press INT button shortly to display M-INT and play the first 10 seconds part of each track of all.

Under CD/MP3/WMA disc mode, press INT button shortly to display S-INT and play the first 10 seconds part of each track of all.

Under USB or MP3/WMA disc mode, Press INT button long to display D-INT and play the first 10 seconds part of each in current folder.

Under INT mode, press INT button again to stop INT mode and retain playing the track currently selected.

8. To repeat track(s)

Under USB mode, press RPT button shortly to display M-RPT and play the current track repeatedly.

Under CD/MP3/WMA disc mode, press RPT button shortly to display S-RPT and play the current track repeatedly.

Under USB or MP3/WMA disc mode, Press RPT button long to display D-RPT and play the current folder repeatedly.

During RPT mode, Press RPT button again to cancel RPT mode.

9. To play tracks in random

Under USB mode, press RDM button shortly to display M-RDM and play the track of all in random order.

Under CD/MP3/WMA disc mode, press RDM button shortly to display S-RDM and play the track of all in random order.

Under USB or MP3/WMA disc mode, Press RDM button long to display D-RDM play the track in the current folder in random order.

Under RDM mode, Press RDM button again to cancel RDM mode.

10. To quickly select the track in MP3/WMA format to play

Under MP3/WMA disc mode or USB mode, press AS/PS button repeatedly to select TRACK SEARCH, FIRST CHARACTER SEARCH or DIRECTORY SEARCH mode.

A) Under TRACK SEARCH mode, the LCD will display TRK T 000 and flash the biggest digit 0 that the USB storage or MP3/WMA disc contain. Then rotate the VOL knob on the front panel or hold the + or - button on the remote controller to select the number of the flashing digit from 0 ~ 9. Then press SEL button to confirm the number and flash next smaller digit 0. With the same means, select the number of the flashing digit. After finishing selecting the number of all flashing digit, press SEL button to play the track of the selected serial number.

B) Under DIRECTORY SEARCH mode, the LCD will display the root folder (if there is not the root folder, it will find a root folder named ROOT). Then rotate VOL knob or press the + or - button to select your desired folder and then press the >>|/|<< button to select your desired track in the folder. Finally press the SEL button to play the selected track.

C) Under FIRST CHARACTER SEARCH mode, the LCD will display A--....., If there are files names its first character are A, theis the first file name its first character is A by the order of A~Z and 0~9; otherwise, theis NONE. Rotate the VOL knob or press the + or - button to select file s first character by the order of A~Z and 0~9. Then press the >>|/|<< button to select one file its first characters is the selected one. Finally press SEL button to play the selected file.

11. To display ID3 information

Under USB or MP3/WMA disc mode, if you press BAND button repeatedly, the file name, folder name, song's title, artist and album information will be scrolling on the LCD display. As long as the current playing MP3/WMA music contains relevant ID3 tag information in version 1.0/2.0 format, the 3 items underlined above will be scrolling on the LCD display; otherwise, they will not.

12. To play CD/MP3/WMA format-mixed disc

Under CD/MP3/WMA format-mixed disc playback mode, long press BAND button, it will change from one mode to another mode.

OPERATION OF REMOTE CONTROL

1. Power On/Off.
2. Mute Button
3. Loudness Button
4. Audio Level & Menu UP(+) Button
5. SEL/MENU Button
6. Audio Level & Menu Down(-) Button
7. MO/ST Button
8. A.P Button
9. Band Button
10. Mode Button
11. Tune/Seek Up And Track Skip Up/FF Button
12. Tune/Seek Down And Track Skip Down/REW Button
13. SCAN Button
14. Clock Display /Setting Button
15. LOC/DX Button
16. CD Track TOP/>||/Radio Preset 1
17. CD Track INT/Radio Preset 2
18. CD Track RPT/Radio Preset 3
19. CD Track RDM/Radio Preset 4
20. Radio Preset 5
21. Radio Preset 6

