

# User's Manual

## BV9255

**IN-DASH DOUBLE-DIN  
DVD/MP3/CD AM/FM RECEIVER  
WITH 6.5" TOUCHSCREEN TFT MONITOR**

**RDS MODEL WITH  
SWITCHABLE USA/EUROPEAN FREQUENCIES**



### BV9255

**IN-DASH DOUBLE-DIN  
DVD/MP3/CD AM/FM RECEIVER  
WITH 6.5" TOUCHSCREEN TFT MONITOR**

**RDS MODEL WITH  
SWITCHABLE USA/EUROPEAN FREQUENCIES**

01.2008

**tech support: [www.bosssaudio.com/support](http://www.bosssaudio.com/support)**

**BOSS®**  
**AUDIO SYSTEMS**

**BOSS Audio Systems • 3451 Lunar Court • Oxnard, CA 93030**  
**[www.bosssaudio.com](http://www.bosssaudio.com)**  
**800.999.1236**



**BOSS®**  
**AUDIO SYSTEMS**





**BV9255** RDS Model with  
Switchable USA/European  
Frequencies

*In-Dash Double-DIN  
DVD/MP3/CD AM/FM Receiver  
with 6.5" Touchscreen TFT Monitor*

**Congratulations on your purchase  
of a BOSS Multi-media Receiver  
with Monitor.**

It has been designed, engineered  
and manufactured to bring you the  
highest level of performance and  
quality, and will afford you years of  
listening pleasure.

Thank you for making BOSS your  
choice for car audio entertainment!

## USER'S MANUAL

page CONTENTS

---

<b>2</b>	General and safety precautions
<b>3</b>	Features
<b>3</b>	What is included?
<b>4</b>	Front panel controls
<b>7</b>	Remote control features
<b>9</b>	Touchscreen operation: Radio
<b>11</b>	Touchscreen operation: Disc Playback
<b>12</b>	Remote control battery replacement
<b>13</b>	Video quality settings
<b>14</b>	Setup menu structure
	System wiring:
<b>15</b>	Speaker connections
<b>16</b>	Audio connections in amplified system
<b>17</b>	Power and antenna connections
<b>18</b>	Auxiliary video input connections
<b>19</b>	Auxiliary video output connections
<b>20</b>	Troubleshooting
<b>23</b>	Specifications

## General precautions

Before installing and using your new **BOSS** component, please become familiar with all the information contained in this manual.

Please keep this manual in a safe place for future reference.

## Safety precautions

- This disc player is a Class 1 Laser Product. It uses a visible/invisible laser beam that could cause hazardous radiation if exposed directly to the consumer. Use of controls, adjustments, or procedures other than those specified in this manual may result in hazardous radiation exposure.

- Do not open or attempt to repair this unit yourself. Refer any repairs to a qualified service technician.

- Be sure that the volume level of the player does not interfere with the driver's hearing. The driver must be aware and be able to react to sound outside the vehicle.

- This product should not be used with an installed video screen which is visible to the driver of the vehicle.

- In some states and countries, the viewing of images on a screen inside a vehicle is illegal, even by people other than the driver. Be sure that the installation and operation of this system is in compliance with local rules and regulations.

**SHOCK HAZARD! Do not open the case of this product.** There are dangerous voltages present within the unit. There are no user-serviceable parts within the unit.

## Operating precautions

Turn the unit off when it is not in use.

Do not switch the player between ON and OFF rapidly. Please wait about 10 seconds between turning the unit ON after turning it OFF, and vice versa.

Do not use broken, scratched, dusty, oily or warped discs in the player.

Do not attempt to insert anything other than 12 cm (4-3/4") diameter discs in the player.

## Moisture on pick-up lens

In humid climates, moisture may condense or even freeze on the pick-up lens which reads the data from your disc. This may cause temporary failure of the player.

Should this occur, turn the player on without a disc, and leave it on for a while. The unit will warm up and the moisture will evaporate. In freezing weather, this may take 1-2 hours.

## Notes on using this product

This device complies with Part 15 of the FCC rules.

Operation is subject the following two conditions:

(1) This device may not cause harmful interference,

(2) This device must accept any interference received, including interference that may cause undesirable operation.

Changes or modifications not expressly approved by the party responsible for compliance could void the user's authority to operate this device.

This disc player is designed and manufactured to respond to the Region Management Information that is recorded on a DVD disc. If the Region number described on the DVD does not correspond to the Region number of the player, the disc will not play properly.

Should this unit fail to operate properly, please return the unit to your authorized dealer.

## Specifications

### BV9255

*In-Dash Double-DIN DVD/MP3/CD AM/FM Receiver with 6.5-Inch Touchscreen TFT Monitor and Built-in TV Tuner*

#### MONITOR

<b>Screen size</b>	6.5-inch wide format (143.4 x 79.33mm)
<b>Display type</b>	TFT active matrix LCD
<b>Resolution</b>	1200 x 234 pixels
<b>Color system</b>	NTSC, PAL

#### DVD PLAYER

<b>Playable disc formats</b>	DVD-Video, Audio CD, Video CD, MP3 CD
<b>Playable disc types</b>	CD, CD-R, CD-RW, DVD+R, DVD-R, DVD+RW, DVD-RW
<b>Frequency response</b>	20Hz-20kHz
<b>Signal-to-noise ratio</b>	greater than 70dB

#### FM TUNER

<b>European frequency range</b>	87.5-108MHz
<b>USA frequency range</b>	87.5-107.9MHz
<b>Intermediate freq.</b>	10.7MHz
<b>Signal-to-noise ratio</b>	greater than 60dB
<b>Stereo separation</b>	40dB

#### AM TUNER

<b>European frequency range</b>	522-1620kHz
<b>USA frequency range</b>	530-1710kHz
<b>Intermediate freq.</b>	450kHz
<b>Usable sensitivity</b>	33dB or lower

#### AUDIO AMPLIFIER

<b>Power output, max.</b>	80W x 4 channels
<b>Speaker impedance</b>	4 - 8 ohms

#### GENERAL

<b>Input voltage</b>	13.8V
<b>Current consumption</b>	4.0 amperes
<b>Dimensions</b>	7.00" x 3.98" x 6.02" (178 x 101 x 153mm)



## Troubleshooting, cont.

### DVD PLAYBACK PROBLEMS

SYMPTOM	CAUSE	REMEDY
<b>DVD Disc will not play.</b>	A DVD disc with a different region setting has been used.	<i>Use only discs with the same region number as this unit.</i>
<b>Disc cannot be played, and the display reads "Parental Violation."</b>	Viewing has been restricted by the unit's Parental Control settings.	<i>Release the restriction or change the Parental Control setting. See the section of this menu about DVD playback setup for help.</i>
<b>DVD pauses during playback.</b>	The disc is a dual-layer DVD disc.	<i>It is normal for dual-layer discs to pause during playback briefly and then resume playback.</i>

## Features

This DVD player features the following:

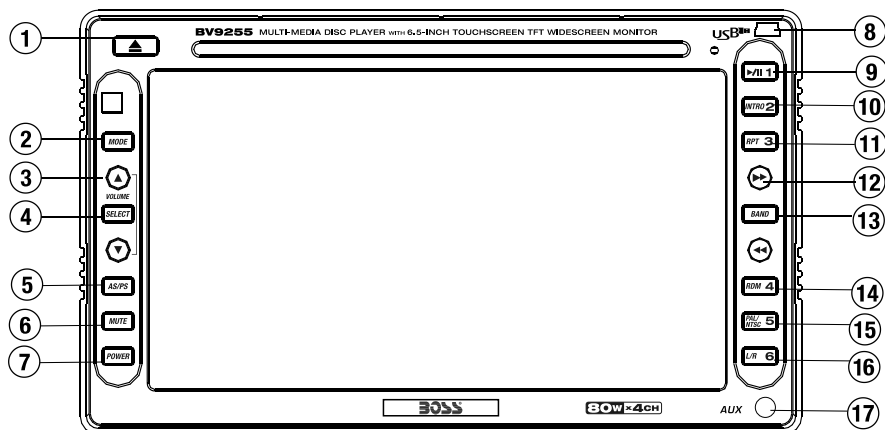
- **Multiformat compatibility:**  
DVD, Video-CD, CD, CDR and MP3
- **TFT 6.5-inch display**
- **PLL-synthesized AM/FM tuner with 30 station presets**
- **Parental programming lock**
- **Slow- and fast-motion playback**
- **Switch between different audio tracks on DVDs** (if available on disc)
- **Multiple language subtitles** (if available on disc)
- **Multiple viewing angles** (if available on disc)

## What is included?

When first unpacking your new BV9255, please check first that the package contains all of the items below. If something is missing, contact the store where you purchased it.

- **BV9255 Multi-media disc receiver**
- **Remote control**
- **Battery (for remote)**

## Front Panel Controls



### 1 EJECT BUTTON

During play mode, pressing this button will cause the disc to eject. If you do not remove the disc within 10 minutes, the disc will reload (to protect the disc).

### 2 MODE

Press this button repeat to change the audio or A/V source in the following order:

RADIO > DVD > AUX IN

### 3 VOLUME • UP/DOWN BUTTONS

In normal operation, these two buttons serve as Volume Up and Volume Down buttons.

If the SELECT button has been pushed (to access such items as Bass, Treble, etc.), these buttons are used to increase or decrease settings for the particular parameter you wish to change.

### 4 SELECT

To set up tone and volume level options, press this button repeatedly to change various settings:

VOLUME > BASS > TREBLE > BAL >  
FADER > EQ > VOLUME

Use the UP/DOWN buttons to make any changes or adjustments.

To set up picture quality options, press and hold this button for 3-5 seconds. A display with these options will open. Press SELECT repeatedly until the item you wish to change has been highlighted, and then use the UP or DOWN button to change the setting. A picture of the picture options is shown on page 9.

To set up USA/European frequency, press and hold the SELECT button for 3-5 seconds to enter the frequency select mode, then press repeatedly to choose among Europe > USA 1 > USA2. (← Available under FM mode)

### 5 AS/PS (Auto Program Seek)

This menu is used in the Radio mode for setting up station presets. You can do this in one of two ways:

To automatically seek and store presets, press and hold this button for more than 3 seconds. The radio will scan and store the strongest stations and assign preset buttons to them.

To audition and store presets, press this button. The radio will scan for each station and play it for about 7 seconds. If you like a station and wish to save it as a preset, press the AS/PS button. It will save the station and then scan to the next one for you to audition. Continue until you are satisfied with your selections.

### 6 MUTE

Press this button to switch off the audio during playback. Press again to restore the audio.

To dim or turn off the display in **Radio mode**: Press and hold this button for 3 seconds to dim it. Press and again for 3 seconds to turn off the display. Press and hold again to turn it back on.

To turn off the display in **DVD, or AUX IN mode**, press and hold this button for 3 seconds to turn. Press and hold again to turn it back on.

## Troubleshooting, cont.

### DISC PROBLEMS

SYMPTOM	CAUSE	REMEDY
<b>Disc cannot be loaded.</b>	Another disc is already loaded in the player.	Eject the disc before loading another one.
<b>Sound skips, or sound is noisy.</b>	Disc is dirty. Disc is heavily scratched or warped.	Clean the disc with a soft cloth. Replace with an undamaged disc.
<b>Sound is bad immediately after power is turned on.</b>	Droplets may have formed on the internal lens when the car is parked in a humid location.	Leave the power on for about one hour to dry the unit.
<b>Disc cannot be played, and the display reads "Parental Violation."</b>	Viewing has been restricted by the unit's Parental Control settings.	Release the restriction or change the Parental Control setting. See the section of this menu about DVD playback setup for help.

### SOUND PROBLEMS

SYMPTOM	CAUSE	REMEDY
<b>No sound.</b>	The Volume is set too low. Unit is set to MUTE mode.	Increase the Volume setting. Turn off the MUTE mode.
<b>Sound is absent from one speaker.</b>	In DVD mode, a speaker is set to OFF. The Balance/Fade setup is incorrect.	In the DVD Setup mode, correct the setting. In the DVD speaker setup, set the Center speaker to OFF.
<b>Front and rear speakers are playing from different sources.</b>	In the Zone setup, the front and rear speakers have different sources.	Change the Zone settings.

### MP3 PLAYBACK PROBLEMS

SYMPTOM	CAUSE	REMEDY
<b>MP3 files will not play.</b>	The disc storage standard is incorrect.	Use only discs which have files storage according to ISO9660 Level 1/Level 2 standards.

## Troubleshooting

If you experience operation or performance problems with this product, compare your installation with the electrical wiring diagram on the previous page. If problems persist, read the following troubleshooting tips which may help eliminate the problems.

### GENERAL PROBLEMS

SYMPTOM	CAUSE	REMEDY
<b>Power does not turn on.</b>	Fuse has blown.	<i>Replace with a fuse of same amperage. If the fuse blows again, consult with the dealer from whom you purchased the unit.</i>
<b>No response when buttons are pushed.</b>	The operating environment is too cold or too hot.	<i>Operate the unit at room temperature.</i>
	The microprocessor has malfunctioned due to electrical noise, static or other causes	<i>Turn off the unit and then power it up again.</i>
<b>Touch screen is not working properly.</b>	The touch screen is incorrectly aligned.	<i>Adjust the sensitivity of the LCD panel.</i>
<b>The remote control does not function.</b>	Sunlight is interfering with the remote control IR sensor.	<i>Try using the unit where there is no direct sunlight hitting the sensor(s).</i>
	The battery in the remote control is dead or missing.	<i>Check and/or replace the battery in the remote control.</i>

### LCD SCREEN PROBLEMS

SYMPTOM	CAUSE	REMEDY
<b>Image is not displayed.</b>	The parking brake is not set, or the parking brake wire is not connected.	<i>Check that the parking brake is set.</i>
<b>The display is too dark.</b>	The Brightness control is set too low.	<i>Adjust the Brightness control.</i>
	The operating temperature is too low.	<i>Make sure the vehicle cabin is at room temperature.</i>
	The headlights of the vehicle are turned on.	<i>The display brightness is automatically reduced when the headlights are on.</i>
<b>Display color is light or pale.</b>	Display color is incorrectly adjusted.	<i>Adjust Color and Tint controls.</i>
<b>Video image is poor when other video source is connected.</b>	NTSC/PAL setting is incorrect.	<i>Set the NTSC/PAL setting properly according to the other video source.</i>

**7 POWER**  
Press POWER to turn unit ON. Press again to turn it OFF.

**8 USB PORT**  
The audio and video documents can be read by mini USB port which is with standard high speed USB port.

**9 PLAY/PAUSE**  
Press of this button to begin playback the disc. A second short press will pause the playback.

**10 INTRO SCAN**  
It will stop at the first station for 5 seconds, and then scan to the next station, and so on. To stop at a desired station, press the Scan button again.

*In CD mode, pressing this button will cause the unit to play the first 10 seconds of each track on the disc. To stop at a desired station, press the Play/Pause button.*

**NOTE:** *This function is not available in DVD/MP3 Mode.*

**11 REPEAT**  
Use this button to select a repeat playback mode. Press repeatedly until you have selected the repeat mode desired.

The choices vary depending on the type of disc you are playing:

**DVD Playback modes:**  
REPEAT CHAPTER > REPEAT TITLE >  
REPEAT ALL > REPEAT CANCEL

**CD/VCD Playback modes:**  
REPEAT SONG > REPEAT ALL >  
REPEAT CANCEL

**MP3 Playback modes:**  
REPEAT SONG > REPEAT SPECIAL >  
REPEAT ALL > REPEAT CANCEL

**12 SEEK (>>I and I<<)**  
These buttons are used in both the Radio and DVD modes.

*In Radio mode, press and hold these buttons for 3 seconds to make the receiver scan until it finds the next strong station on the dial. To tune a station manual, press and release quickly to move up one frequency step at a time until you reach a desired station.*

**12 SEEK (>>I and I<<), continued**  
*In DVD, CD or MP3 mode, a SHORT press of these buttons will cause the unit to advance to the next or last track (or chapter) of the disc.*

*A LONG press of the button in DVD mode will cause the player to seek forward or backwards on the disc at a higher rate of speed. The first press will make the unit seek at 2X speed. Additional pressing of the button will yield seek speeds of 4X, 8X, and 32X (press again and seek speed returns to normal playback).*

**13 BAND (also GPS Input Select)**  
*In Radio mode, a SHORT press of this button will cause the unit to advance among the bands available in the following sequence:*

FM1 > FM2 > FM3 > AM1 > AM2 > FM1

*To select GPS System input, a press and hold this button for more than 3 seconds.*

**14 RANDOM (LOC/RANDOM)**  
*In Radio mode, this button is used to select between Local (LOC) and Distant radio reception modes.*

*In DVD, VCD, CD or MP3 modes, pressing this button will cause the tracks or titles on the disc to play in random order.*

**15 PAL/NTSC**

*In DVD/VCD mode, a SHORT press of these buttons will cause the unit to advance to through the different video output modes in this sequence:*

AUTO SELECT > PAL > NTSC

**17 AUX EXTERNAL INPUT**

External audio input socket.

**16 L/R (Soundtrack options)**

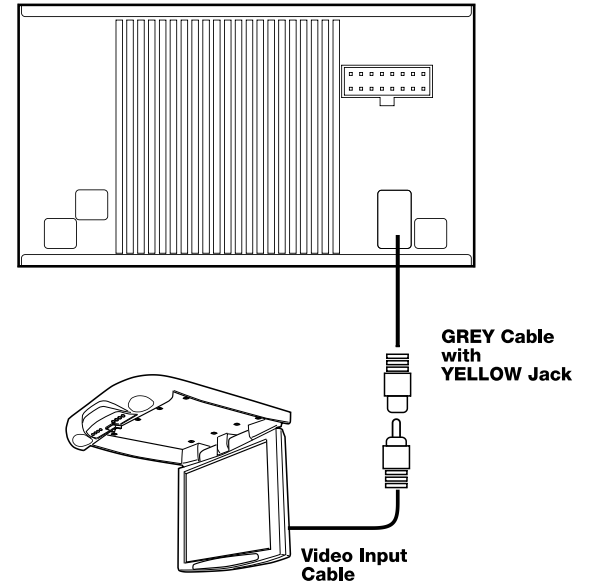
*In VCD and CD mode, a SHORT press of this button will cause the unit to advance to through the different audio output modes in this sequence:*

LEFT SOUNDTRACK >  
RIGHT SOUND TRACK >  
THREE DIMENSIONAL SOUNDTRACK

*In DVD mode, a SHORT press of this button will cause the unit to advance to display and advance through the different soundtrack options available on the particular disc you are watching.*

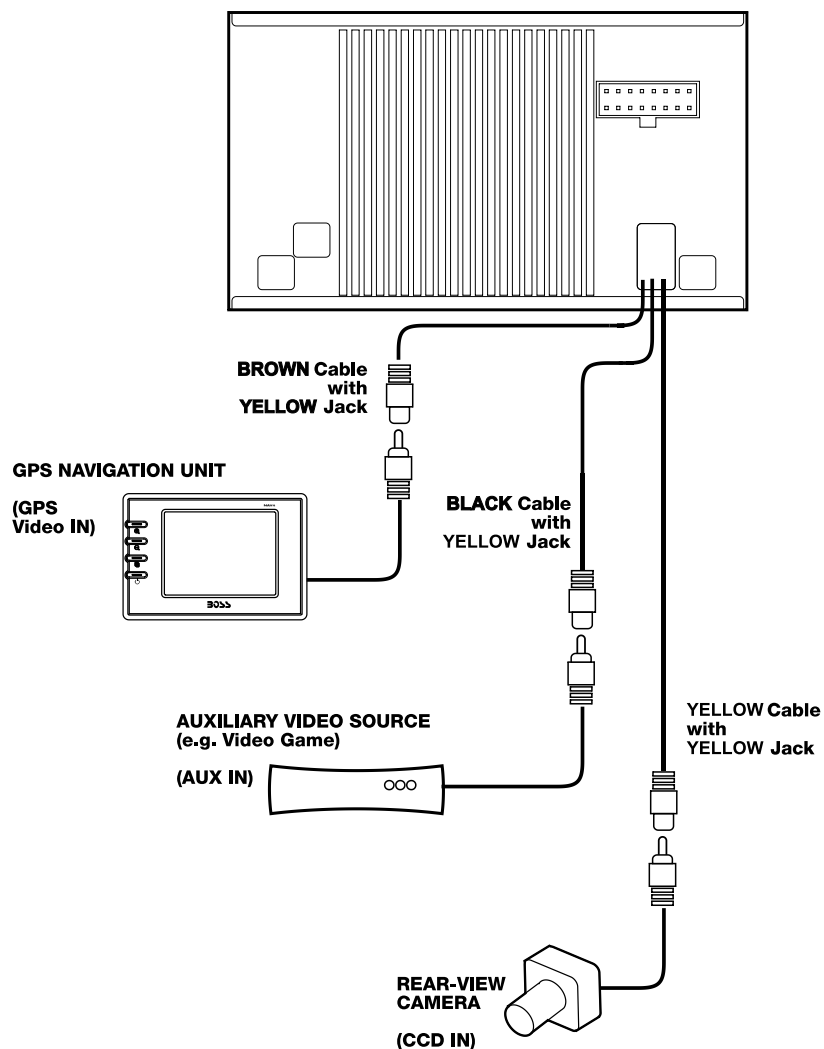
**System wiring: Auxiliary video output connections**

If you have an other video monitor(s) in your vehicle that you wish to display the program playing in the BV9255, connect the monitor as shown in the diagram below. If there is more than one such monitor, you will need to add a video splitter or a multi-channel video signal amplifier to the system as well. Please consult with your dealer for assistance in purchasing these.





## System wiring: Auxiliary video input connections (As Below :)



## Remote Control

**1 POWER**  
Press POWER to turn unit ON. Press again to turn it OFF.

**2 MUTE**  
Press this button to switch off the audio during playback. Press again to restore the audio.

*To dim or turn off the display in Radio mode:* Press and hold this button for 3 seconds to dim it. Press and again for 3 seconds to turn off the display. Press and hold again to turn it back on.

*To turn off the display in DVD, or AUX IN mode,* press and hold this button for 3 seconds to turn. Press and hold again to turn it back on.

**3 TITLE**  
*In DVD Mode,* pressing this button takes you to the Title menu for the currently playing disc.

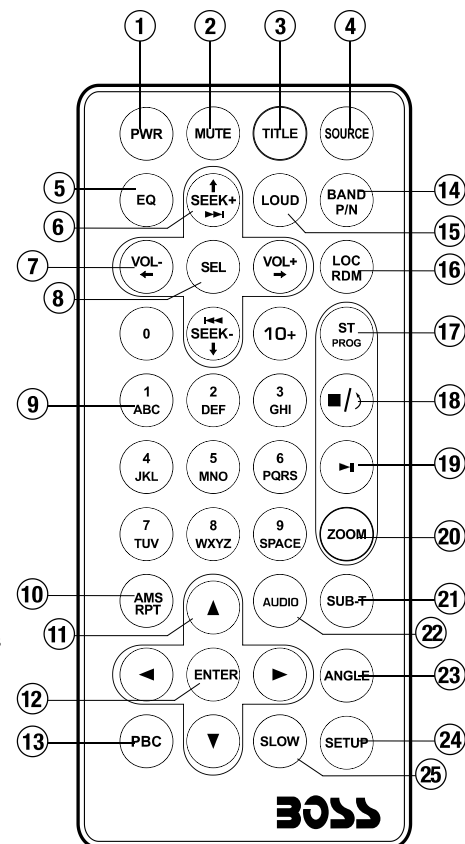
**4 SOURCE**  
Press this button to choose audio sources.

**5 EQ**  
Pressing this button permits you to choose one of the three preset equalizer curves. Choose from POP, CLASSIC or ROCK modes. (If you are in one of these modes, it will not allow to adjust the Bass & Treble settings.)

**6 SEEK (>>I and I<<)**  
These buttons are used in both the Radio and DVD modes.

*In Radio mode,* press and hold these buttons for 3 seconds to make the receiver scan until it finds the next strong station on the dial. To tune a station manual, press and release quickly to move up one frequency step at a time until you reach a desired station.

*In DVD, CD or MP3 mode,* a SHORT press of these buttons will cause the unit to advance to the next or last track (or chapter) of the disc.



**6 SEEK (>>I and I<<), continued**  
A LONG press of the button in DVD mode will cause the player to seek forward or backwards on the disc at a higher rate of speed. The first press will make the unit seek at 2X speed. Additional pressing of the button will yield seek speeds of 4X, 8X, and 32X (press again and seek speed returns to normal playback).

**7 VOLUME UP/DOWN**  
Use these buttons to adjust volume to desired level.

**8 SELECT**  
This button is used to enter and confirm settings and selections made when using the on-screen display.

**9 0-9 NUMBER KEYS**  
Use these buttons for entering numerical information for various items in the on-screen menus.

**10 AMS/RPT BUTTON**

In Radio Mode, pressing this button allows you to sequentially browse the preset radio stations.

**11 UP/DOWN/LEFT/RIGHT ARROWS**

In DVD Mode, these buttons are used to navigate the menus to make various system settings. When done, press ENTER to confirm.

**12 ENTER**

In DVD Mode, this button is used to confirm a setting within the on-screen menu system.

**13 PBC (Playback Mode)**

In VCD Mode, pressing this button takes you the VCD Playback Control menu. Within this menu, use the number buttons to choose the songs you wish to hear.

**14 BAND**

This button is used in the Radio and DVD/VCD modes. It has different functions in the two modes:

In Radio mode, a SHORT press of this button will cause the unit to advance among the bands available in the following sequence:

In DVD/VCD mode, pressing this button will cause the unit to advance to through the different video output modes in this sequence:

AUTO SELECT > PAL > NTSC

**15 LOUDNESS**

Press this button to boost the lower frequencies in the audio when you are listening at relatively low volume level.

**16 LOC/RDM (Local/Distant, Random)**

In Radio mode, this button is used to select between Local (LOC) and Distant radio reception modes.

In DVD, VCD, CD or MP3 modes, pressing this button will cause the tracks or titles on the disc to play in random order.

**17 ST/PROG (Mono/stereo, Program)**

In Radio mode, this button is used to select between Mono and Stereo radio reception modes. If reception of a stereo station is poor, sometimes it can be improved by switching to mono reception.

In DVD, VCD, CD or MP3 modes, this button acts as a STOP button when in one of the programmed playback modes such as Random, Repeat, etc.

**18 STOP**

Pressing this button will stop disc playback.

**19 PLAY/PAUSE**

Press of this button to begin playback of the disc. A second short press will pause the playback.

**20 ZOOM**

If your DVD disc supports zooming into the image, pressing this button will provide this function.

NOTE: This function is only available in DVD discs which support it.

**21 SUBTITLE**

Pressing this button will allow you to change the subtitles on a DVD disc.

NOTE: This function is only available in DVD discs which support it.

**22 AUDIO**

If your DVD disc supports different audio output formats, languages or setups, pressing this disc will enable you to change it by pressing this button.

NOTE: This function is only available in DVD discs which support it.

**23 ANGLE**

If your DVD disc supports different viewing angles of the program content, pressing this button will enable you to change the viewing angle.

NOTE: This function is only available in DVD discs which support it.

**24 SETUP**

Pressing this button opens up the SETUP menu, which permits you to make various system settings (described on page 9).

**25 SLOW**

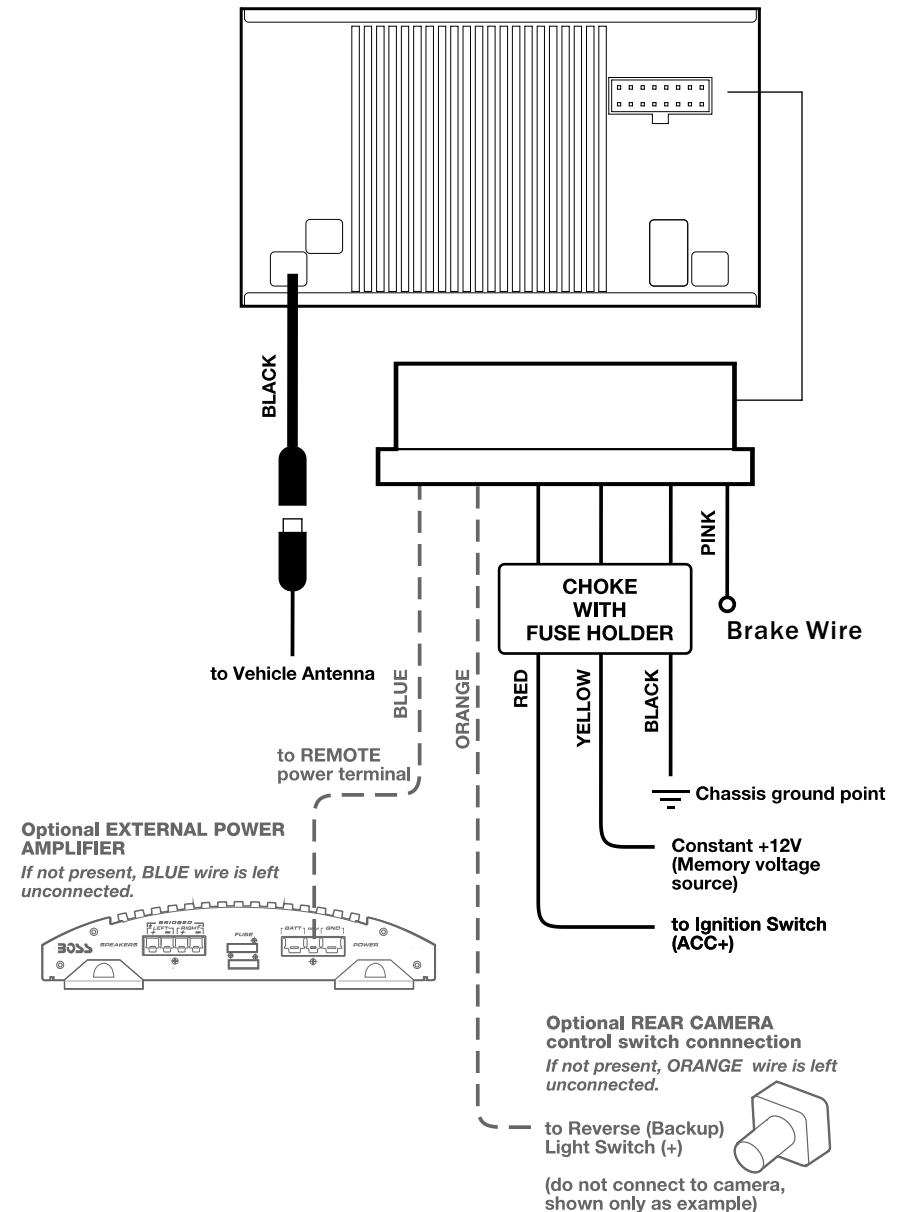
Press this button repeatedly to reduce the speed of playback until desired speed is selected:

SF: 1/2>1/3>1/4>1/5>1/6>1/7—PLAY

**System wiring: Power and antenna connections**

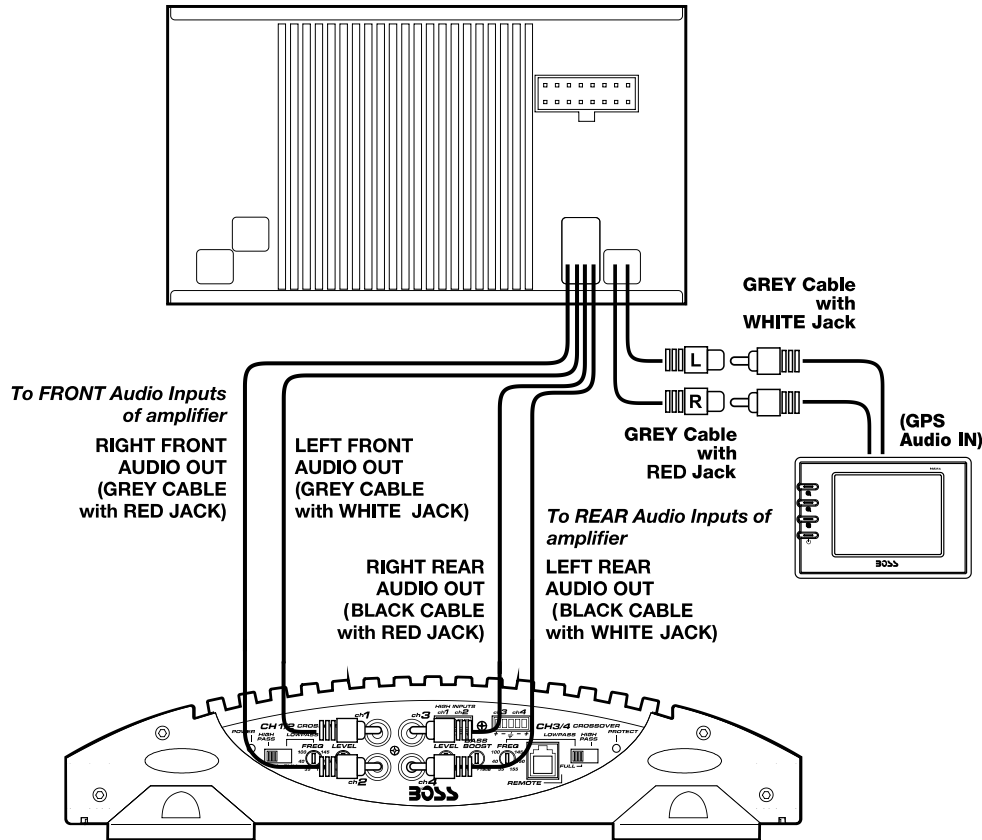
Make power and antenna connections as shown in the diagram below.

If you are using additional optional equipment, such as a rear view camera and/or a car amplifier, be sure to also connect the orange and/or blue wires, respectively, as shown.



## System wiring: Audio connections in an amplified system

If you are using the BV9255 in a mobile A/V system which includes a power amplifier and speakers, connect the



## Watching video is forbidden while driving

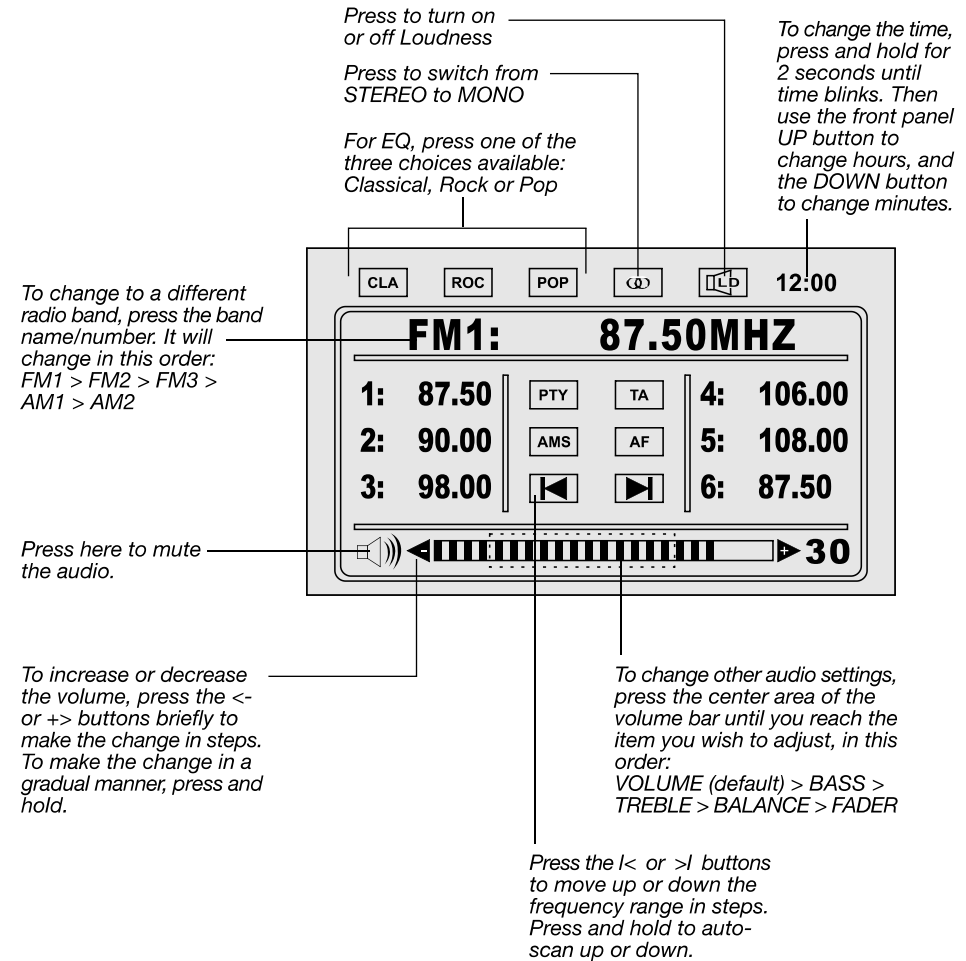
The "PARKING BRAKE" wire must be connected to the parking brake system of your car. When the parking brake is engaged the LCD screen will be allowed to view your video. If not, the screen will produce the image that is below. This is a safety feature designed for the driver not to watch a video while driving. The video output of this unit is not affected by this.

Note: While in Radio & CD/MP3 mode without any images the LCD screen will not be affected.

**WARNING**  
**PLEASE STOP WATCH**  
**VIDEO PLAYER**

## Touchscreen operation: Radio Mode

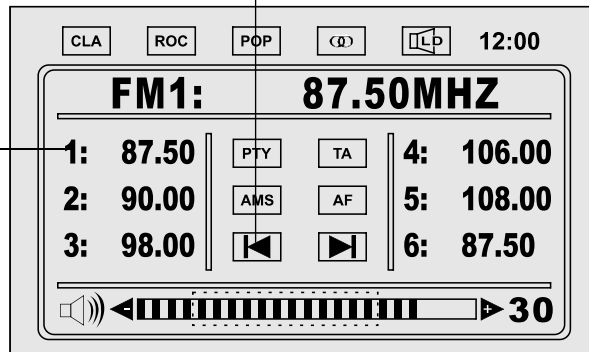
In addition to the front panel and remote control unit, the BV9255 can be controlled using the touchscreen. Each mode calls up a different screen. The radio mode screen is shown below.



## Touchscreen operation: Radio Mode, continued

To set a radio preset, follow the steps below:

1. Use the *|<* or *>|* button to tune to the desired station frequency.

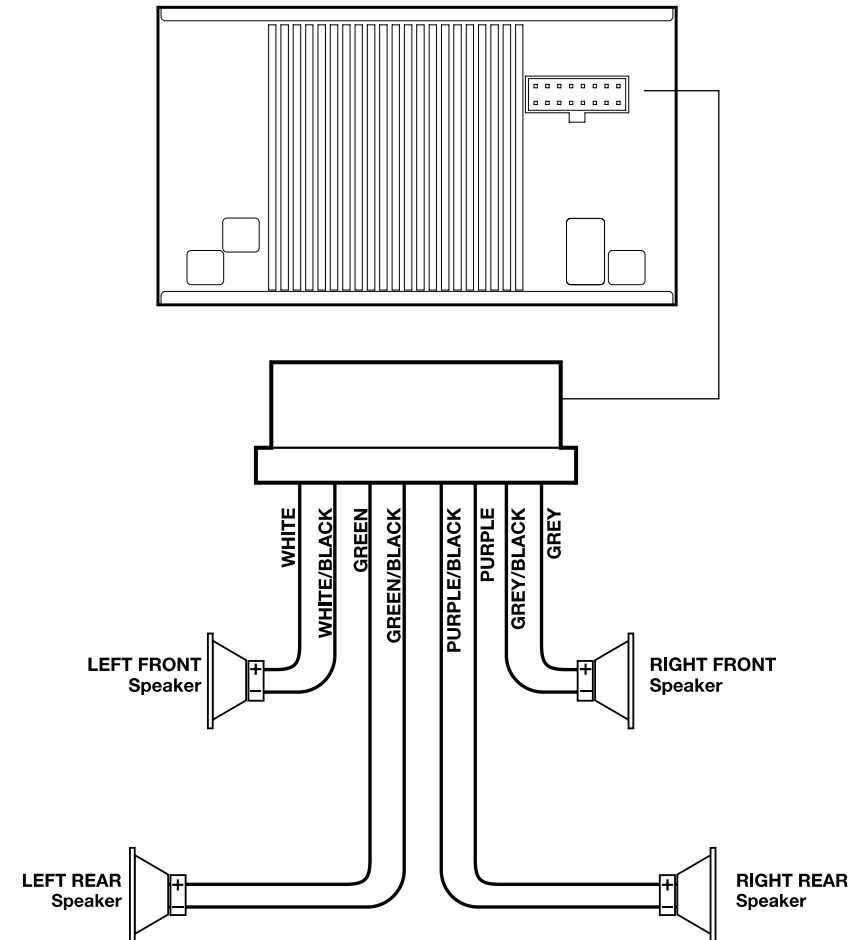


2. Press and hold the preset number you wish to assign to this station.

The displayed information will change color to confirm that the preset has been completed.

## System wiring: Speaker connections

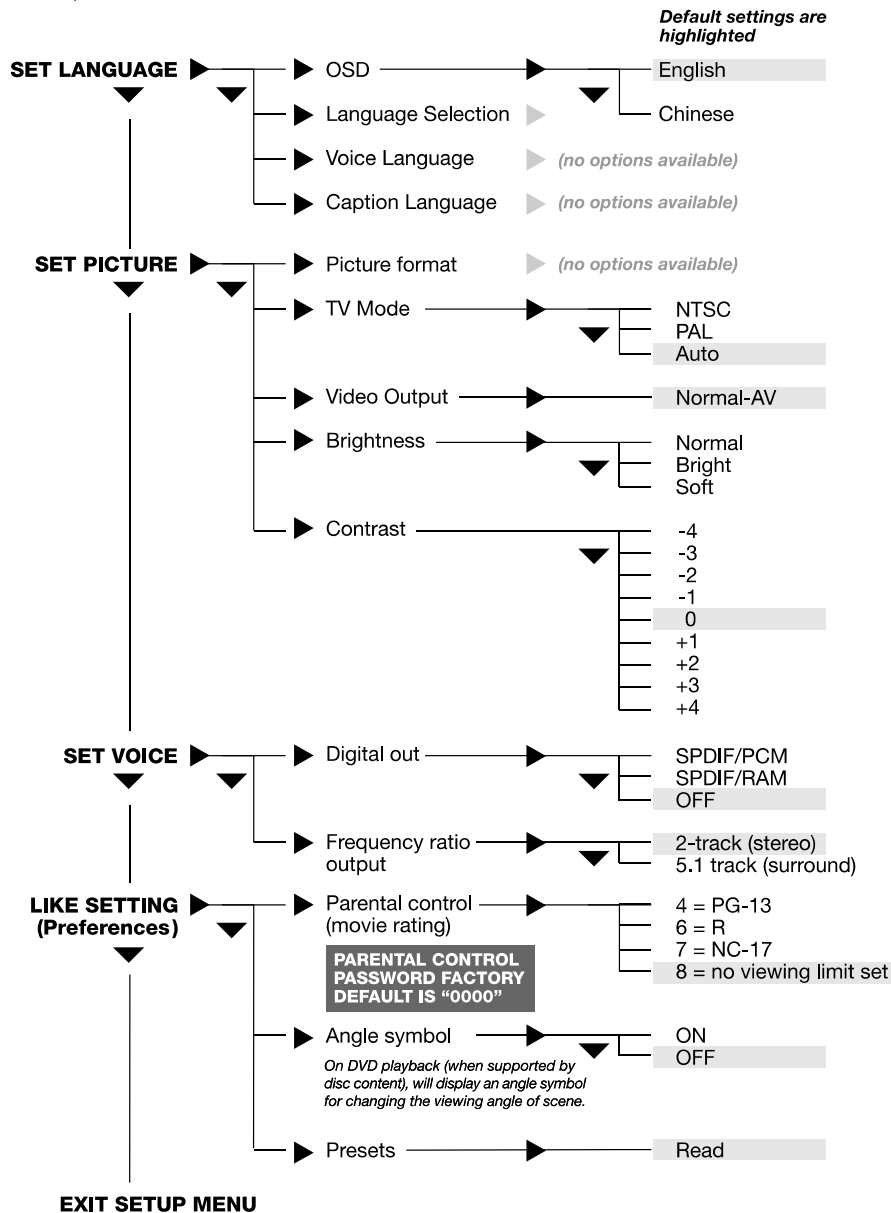
If you are using the BV9255 in a mobile system which does not include an audio amplifier (so you are using the internal amplifier in the BV9255), connect the speakers to the wiring connector provided as shown in the drawing below.



## Setup Menu structure

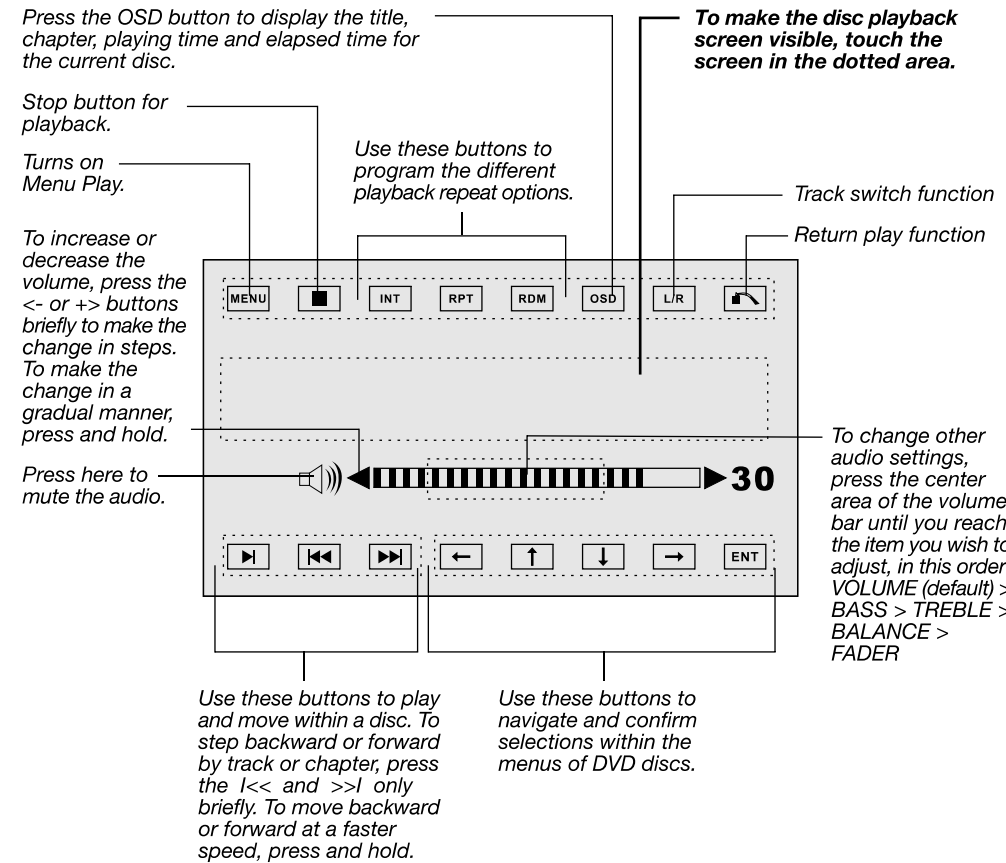
Pressing the SETUP button on either the front panel or the remote to access the Setup Menu. To navigate the menu structure, use the LEFT, RIGHT, UP and DOWN ARROW buttons. Use the ENTER button to save a new setting.

The Setup Menu is structured as follows:



## Touchscreen operation: Disc playback mode

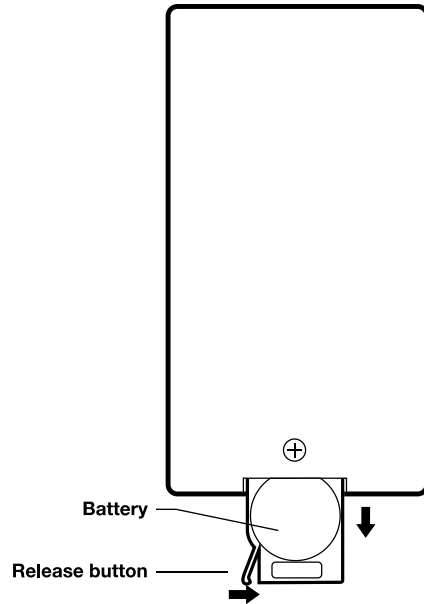
The screen below shows the disc playback touchscreen control menu.



## Remote Control Battery Replacement

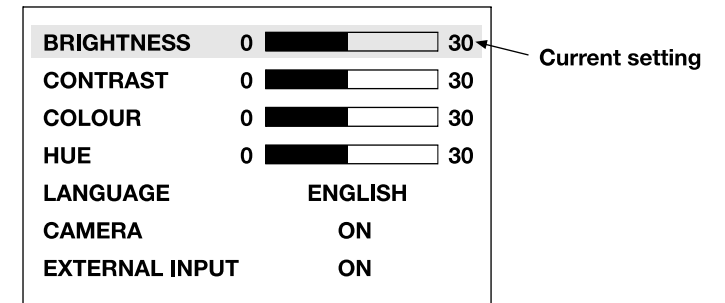
This remote battery is held in a small “drawer” on one edge of the remote. To open this drawer, press and hold the small button on the edge of this drawer (as shown below) and slide the drawer out.

Insert a new battery and push the drawer back fully into the remote.



## Video quality settings

If you wish to adjust some of the video display quality settings (including menu language), press and hold the SELECT button on the front panel for 3-5 seconds. You will see a display with the following information:



Press the SELECT button until the item you wish to change has been highlighted. The current setting is shown to the right of the bar graph. Use the UP and DOWN buttons to change the setting to the way you like. Press SELECT to save and move the cursor. When you are done, wait a few moments and the screen will return to normal mode.

Press SEL button to select USER, then choose and set the picture quality through Volume button,

