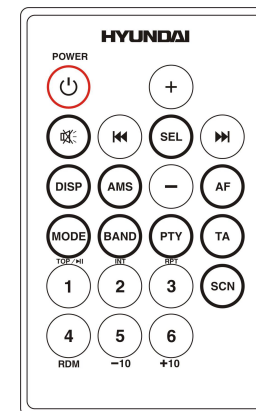
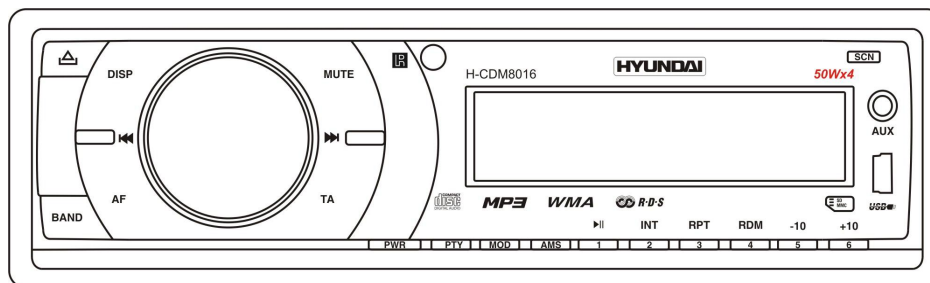


HYUNDAI

H-CDM8016



CD/MP3/USB RECEIVER

Instruction manual

CD/MP3/USB-РЕСИБЕР

Руководство по эксплуатации

Dear customer!

Thank you for purchasing our product. For safety, it is strongly recommended to read this manual carefully before connecting, operating and/or adjusting the product and keep the manual for reference in the future.

Table of contents

Table of contents.....	2
Important safeguards.....	3
Accessories.....	4
Installation/connection.....	5
Panel controls.....	10
LCD layout.....	14
General operations.....	15
Digital tuner operations.....	18
CD/SD/MMC/USB operations.....	20
MP3/WMA overview.....	24
Handling discs.....	26
Cleaning.....	26
Troubleshooting guide.....	27
Specification.....	29

Important safeguards

- Read carefully through this manual to familiarize yourself with this high-quality sound system.
- The beginning of operation is the moment of the unit installation. Before use the device in winter it is recommended to heat up the passenger compartment during 20 seconds or to the operation temperature.
- Use the unit with the temperature that goes beyond the operation temperature greatly decreases the operation resource of the screen and other components of device and can result an outage.
- Disconnect the vehicle's negative battery terminal while mounting and connecting the unit.
- When replacing the fuse, be sure to use one with an identical amperage rating. Using a fuse with a higher amperage rating may cause serious damage to the unit.
- Do not attempt to disassemble the unit. Laser beams from the optical pickup are dangerous to the eyes.
- Make sure that pins or other foreign objects do not get inside the unit; they may cause malfunctions, or create safety hazards such as electrical shock or laser beam exposure.
- Do not use the unit in places where it can be exposed to water, moisture and dust.
- Do not open covers and do not repair yourself. Consult the dealer or an experienced technician for help.
- Make sure you disconnect the power supply and aerial if you will not be using the system for a long period or during a thunderstorm.
- Make sure you disconnect the power supply if the system appears to be working incorrectly, is making an unusual sound, has a strange smell, has smoke emitting from it or liquids have got inside it. Have a qualified technician check the system.
- The unit is designed for negative terminal of the battery, which is connected to the vehicle metal. Please confirm it before installation.
- Do not allow the speaker wires to be shorted together when the unit is switched on. Otherwise it may overload or burn out the power amplifier.

Accessories

Receiver	1 pc
Front panel	1 pc
Front panel case	1 pc
Remote controller	1 pc
ISO cable	1 pc
USB adapter cable	1 pc
Mounting parts:	
Screw M4X5	4 pcs
Screw M5X5	4 pcs
Screw ST5X25	1 pc
Nut M5	1 pc
Washer	2pcs
Mounting strap	1 pc
Release key	2 pcs
Customer information	1 pc
Warranty card	1 pc
Instruction manual	1 pc

Installation/connection

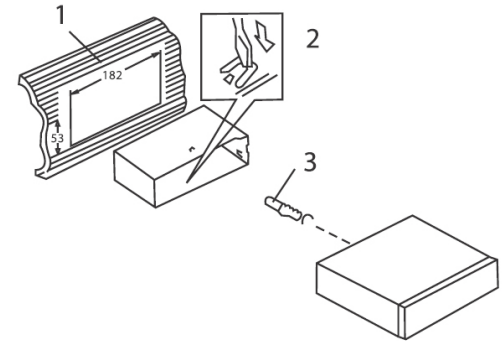
- Choose the mounting location where the unit will not interfere with the normal driving function of the driver.
- Before finally installing the unit, connect the wiring and make sure that the unit works properly.
- Consult with your nearest dealer if installation requires the drilling of holes or other modifications of the vehicle.
- Install the unit where it does not get in the driver's way and cannot injure the passenger if there is a sudden stop, like an emergency stop.
- If installation angle exceeds 30° from horizontal, the unit may not perform properly.
- Avoid installing the unit where it would be subject to high temperature, such as from direct sunlight, or from hot air, from the heater, or where it would be subject to dust, dirt or excessive vibration.

Din Front/Rear-Mount

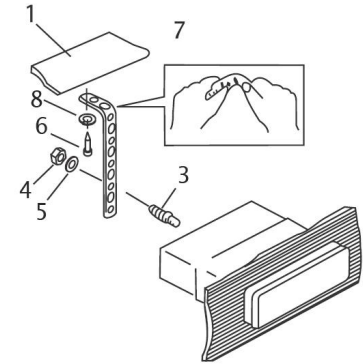
This unit can be properly installed either from 'Front' (conventional DIN Front-mount) or 'Rear' (DIN Rear-mount installation, utilizing threaded screw Holes at the sides of the unit chassis). For details, refer to the following illustrated installation methods.

DIN FRONT-MOUNT (Method A)

1. Car dashboard
2. Sleeve
3. Screw
4. Nut (5 mm)
5. Spring washer
6. Screw (5 x 25 mm)
7. Metal strap
8. Flat washer



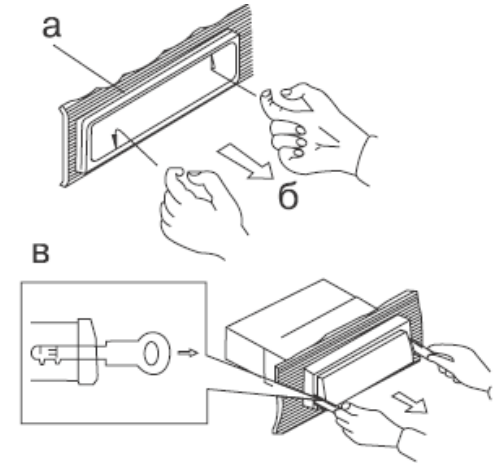
1. Install the sleeve into the dashboard; ensure it is installed with the correct side and there are no obstacles (wires, dashboard elements, etc) for the unit installation.
2. After installing the sleeve into the dashboard, bend tabs fitting to the size of the dashboard to fix the sleeve in place.
3. Use the metal strap to fix the rear side of the unit. Determine a place for fixing and install the strap as shown in the picture. You can bend the strap to the needed angle with your hands.
4. Make the necessary wire connections. Ensure the connections are correct.
5. Install the unit into the sleeve until the side locks are fixed.



Dismantling the unit

- a – Trim frame
- b – Frame uninstal direction
- c – Release key insertion

1. Switch off the unit and detach the front panel.
2. Insert your fingers into the groove in the front side of the trim frame (apply some effort to detach the frame). Pull the frame to detach it.
3. Insert the supplied release keys into the both sides of the unit body to click, as shown in the picture. To extract the unit from the dashboard, pull the release keys or the unit body to pull it out. Before detaching the unit, ensure it is not fixed with the metal strap.



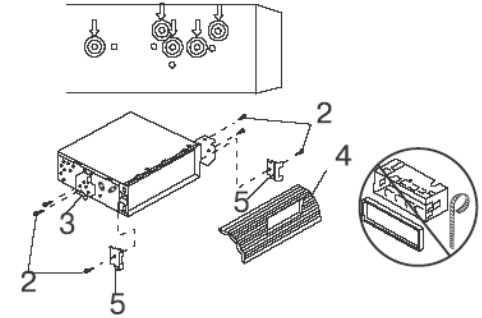
Trim frame installation

To install the trim frame, press it to the unit body and push it to fix it in place. This should be done before installing the front panel; otherwise you are not able to install the trim frame. When the trim frame being installed, the side with the groove should face down and fixed first.

2. DIN REAR-MOUNT (Method B)

For this method, use the screw holes in the lateral sides of the unit. Fix the unit with the help of the factory radio mounting brackets.

1. Select a position in which the screw holes of the brackets (3) are aligned with the screw holes in the unit body, and screw in two screws (2) in each side.
2. Screw.
3. Factory radio mounting brackets.
4. Vehicle dashboard.
5. Lock (remove this part).

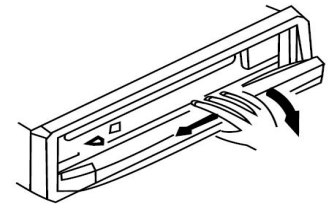
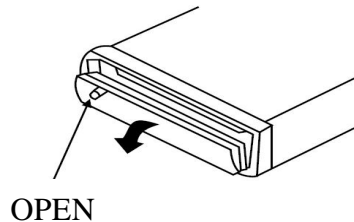


Note: The outer trim frame and mounting sleeve are not used for method of installation.

Installing the front panel

Insert the left side of the panel then, and insert the right side. Close the panel.

Press OPEN button to detach the panel. When the front panel is in horizontal position hold and slide the panel to left and then pull it out.

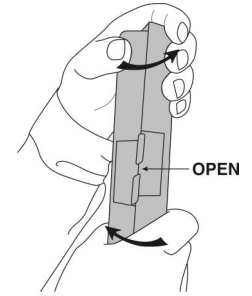


Anti-theft system

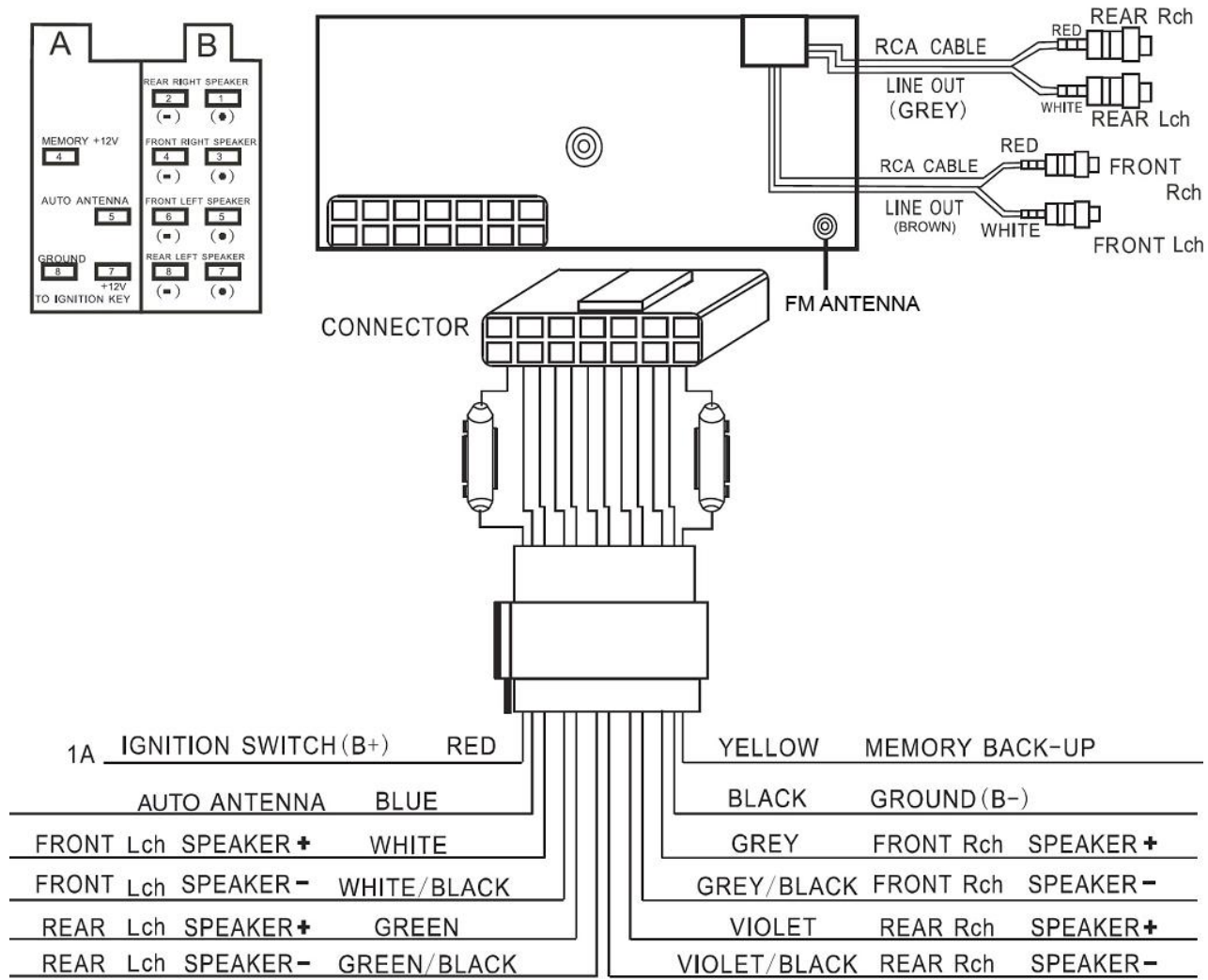
The front panel of this unit can be stored in the included protective case when not in used and carried away when you leave the vehicle to deter theft. To open the protective case, take it with both hands and twist as shown in the picture.

Remove the panel

1. Press POWER button to switch off the power of the unit.
2. Press OPEN button to flip down the panel. When the front panel is in horizontal position hold and slide the panel to left and then pull it out.
3. Put it to the protective case and take it with you.



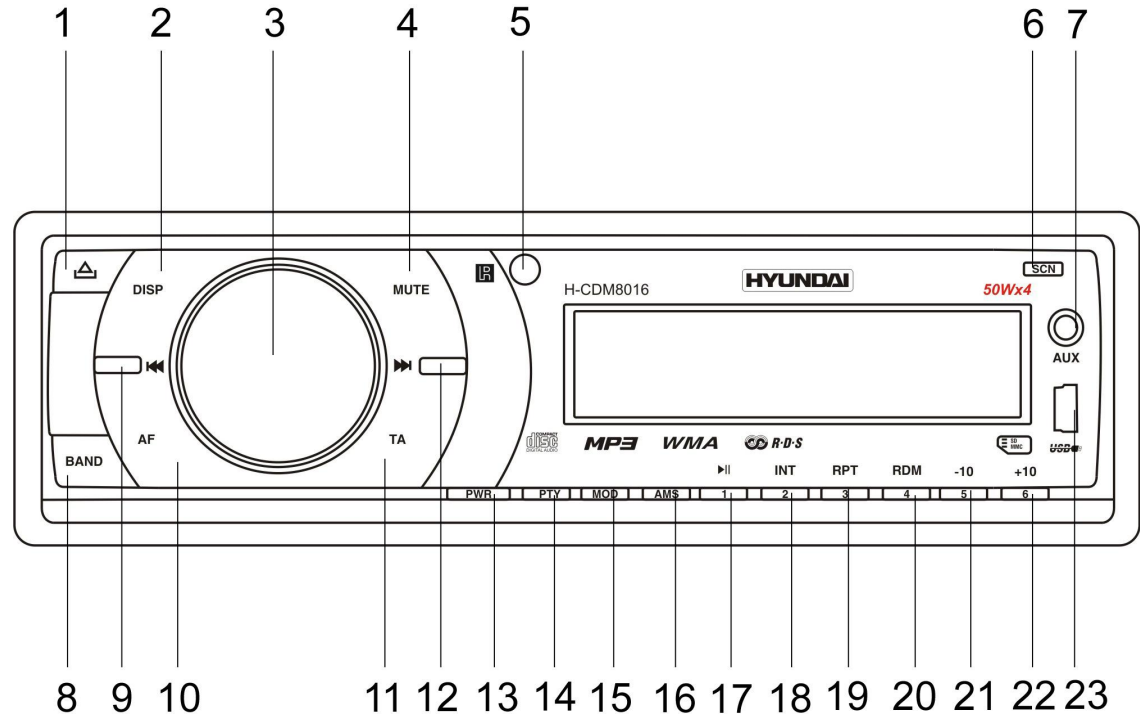
Electrical connections



Panel controls

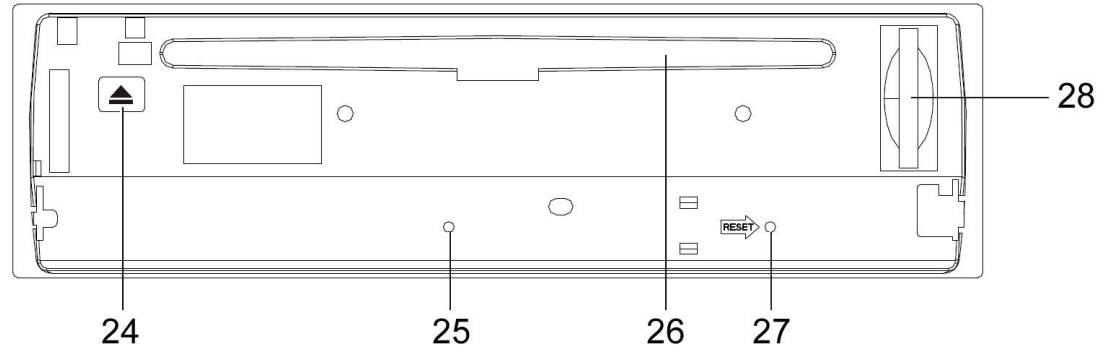
Front panel

1. OPEN button
2. DISP button
3. VOL knob/SEL button
4. MUTE button
5. RC sensor
6. SCN button
7. AUX IN jack
8. BAND button
9. PREVIOUS button
10. AF button
11. TA button
12. NEXT button
13. POWER button
14. PTY button
15. MODE button
16. AMS button
17. PLAY/PAUSE/Preset button 1
18. INT/Preset button 2
19. RPT/Preset button 3
20. RDM/Preset button 4
21. -10/preset button 5
22. +10/preset button 6
23. Mini USB jack



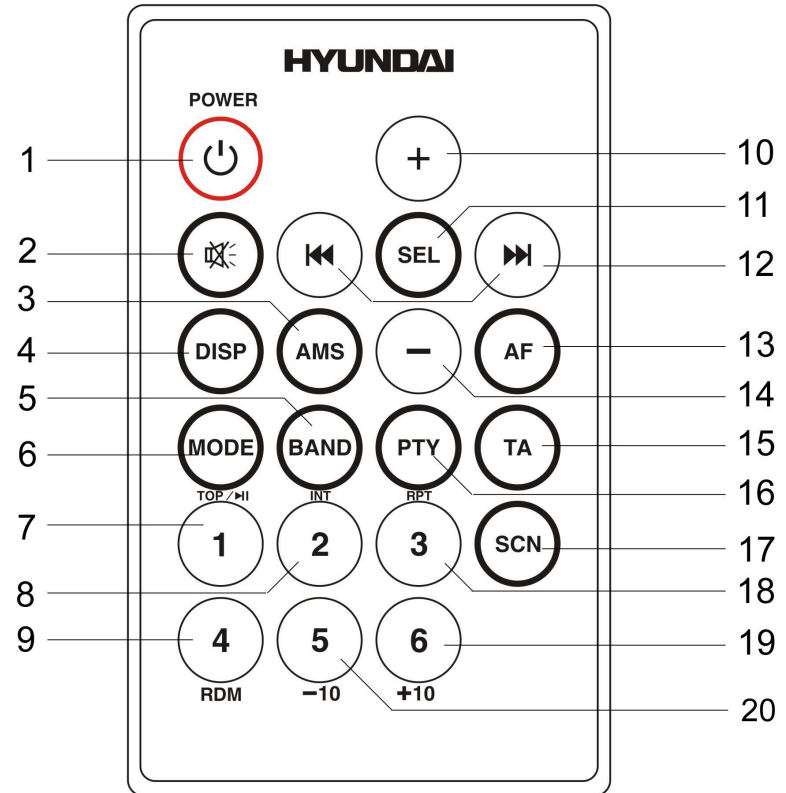
Inner panel

- 24. EJECT button
- 25. Flashing LED
- 26. CD slot
- 27. RESET button
- 28. SD/MMC Slot

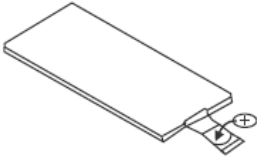


Remote control

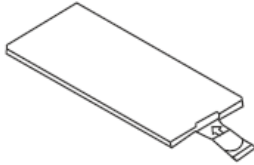
1. POWER button
2. MUTE button
3. AMS button
4. DISP button
5. BAND button
6. MODE button
7. TOP/PLAY/PAUSE/Preset button 1
8. INT/Preset button 2
9. RDM/Preset button 4
10. VOL+ button
11. SEL button
12. PREVIOUS/NEXT buttons
13. AF button
14. VOL- button
15. TA button
16. PTY button
17. SCN button
18. RPT/Preset button 3
19. +10/preset button 6
20. -10/preset button 5



Changing the battery



1. Pull out the battery tray. Insert the 1 x lithium battery, type CR 2025 3V battery with the stamped (+) mark facing upward.



2. Insert the battery tray into the remote control.

Warning: Store the battery where children cannot reach. If a child accidentally swallows the battery, consult a doctor immediately.

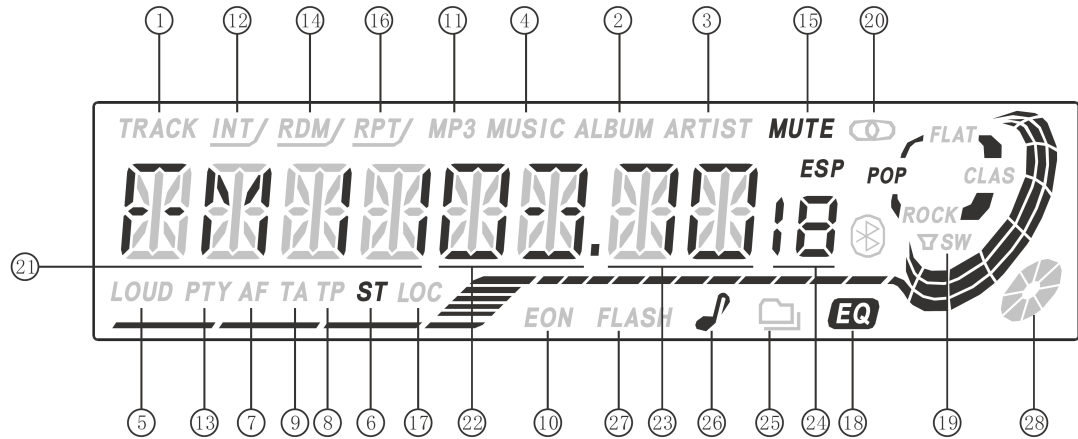
Do not recharge, short, disassemble or heat the battery or dispose it in a fire.

Do not expose or bring into contact the battery with other metallic materials. Doing this may cause the battery to give off heat, crack or start a fire.

When throwing away or saving the battery, wrap it in tape and insulate; otherwise, the battery may give off heat, crack or start a fire.

LCD layout

1. Track play indicator
2. Album name ON
3. Artist name ON
4. Song name ON
5. Loud function indicator
6. Stereo reception indicator
7. AF function indicator
8. TP function indicator
9. TA function indicator
10. EON function indicator
11. MP3 file being played
12. Intro playback indicator
13. PTY function indicator
14. Random playback indicator
15. Mute function indicator
16. Repeat playback indicator
17. Local reception indicator
18. DSP (equalizer) mode indicator
19. Subwoofer indicator (not active)
20. Stereo signal indicator
21. Track number display/current band
22. Track minute time display/radio frequency



21. Track number display/current band
22. Track minute time display/radio frequency
23. Track second time display/radio frequency
24. Disc number display
25. Folder name ON
26. File name ON
27. USB/Memory card indicator
28. On: disc being played/Flashing: disc pause

General operations

Reset the unit

Operating the unit for the first time or after replacing the car battery, you must reset the unit. Press OPEN button on the panel to detach the panel take it off and press the RESET button with thin hard object to restore the unit to the original factory settings.

Power ON/OFF

Press any button to turn the unit on. Press and hold POWER button to turn off the unit.

Note: After the unit is off, radio current settings will be memorized, and when you turn the unit on it will resume the stored status, which you set.

Display (DISP)

Press DISP button to switch between display information such as radio frequencies, clock, track and other information depending on the playing MODE.

To adjust the time:

- Press DISP button until clock is showed, press the DISP button and hold for 2 seconds. Time will start blinking.
- Rotate VOL knob clockwise to adjust hours.
- Rotate VOL knob anticlockwise to adjust minutes.
- Press DISP button again to save setting.

Mode

By pressing this button, user can select: AUX/TUNER/S-CDP(CD-MP3) (active if a CD is inside)/USB (active if a USB is connected)/MMC/SD (active if a memory card is inside).

Mute

Press this button to mute the sound at once. Press again to return to the previous volume level.

Volume control/select

Rotating VOL knob, you can adjust VOL/BASS/TRE/BAL/FAD. To select the functions, press SEL button shortly until the desired functions are shown on the display. Increase or decrease the volume by turn VOL knob right or left. These buttons can be used to adjust the BASS, TREBLE, BALANCE and FADER.

Note: Bass and treble adjustment is not available when DSP (equalizer) is on.

Other functions

To choose the corresponding mode, press and hold SEL knob for 2 seconds, and then press it repeatedly until the display shows the mode. Rotate VOL knob to choose the needed value. After choosing, please leave the unit idle to activate.

TA SEEK/TA ALARM

In TA SEEK mode, the unit will seek for traffic announcement program when TA is pressed; in TA ALARM mode the alarm is set off.

MASK DPI/MASK ALL

During MASK DPI mode, the unit will mask only the AF which has different PI, this is the default mode; during MASK ALL mode, the unit will mask the AF which has different PI and no RDS signal with high field strength.

RETUNE S/L - SHORT/LONG

“RETUNE” refers to the time period the unit allows for radio scan when reception is interrupted. “S” represents a time period of 30 seconds and “L” represents a time period of 90 seconds.

AUDIO DSP CONTROLS

Choose equalizer mode: POP M => ROCK M => CLASS M=> FLAT M =>DSP OFF.

LOUDNESS CONTROLS

Select LOUD ON or OFF. In ON mode the bass and treble response will be boosted. Recommended to activate when listening at a low volume level.

ESP (Electronic Shock Protection) MODE

Choose the value for CD disc (45 sec. for Audio-CD, 120 sec for MP3, 300 sec for WMA).

BEEP MODE

BEEP ON: BEEP sound can be heard from speaker when the buttons are pressed.

SEEK MODE (for radio mode)

SEEK 1: When SEEK 1 mode is activated, AUTO SEEK SCAN is stopped when station is detected even user still push SEEK button.

SEEK 2: Auto SEEK SCAN is not stopped even if station is detected if user pushes SEEK button. When releases SEEK button, then stop when station is detected.

STEREO/MONO (for radio mode)

When FM stations are weak and are disturbed, listening can be improved by selecting MONO.

LOCAL/DX (for radio mode)

“Local” position in areas with strong signals to let radio stop at only strong stations during manual tuning (LOC appears). Select Distant position in areas with weak signals to listen to all stations.

VOL LAST/ADJUST

This function allows to set the volume level of the unit after it was turned off and then turned on again. Choose VOL LAST if you want the volume level to be the same as it was before turning off. VOL ADJUST allows to choose volume level.

AUX mode

This unit has an AUX in jack enabling connection of external devices as signal sources.

Note: Do not flip down the front panel while using the AUX in jack.

Digital tuner operations

Note: RDS (Radio Data System) service availability varies with areas. Please understand if RDS service is not available in your area, the following service is not available, either.

MODE

Press MODE button to turn on tuner mode.

BAND

Press BAND button. Each band is toggled cyclically by pressing this key FM1--FM2--FM3 --MW1 (AM1)--MW2 (AM2).

AUTOMATIC OR MANUAL TUNING

Press and hold NEXT button to start automatic search of programs upwards; press and hold PREVIOUS button to start automatic search downwards. Press the buttons repeatedly for manual search of programs.

Note: The unit will scan the frequency range, making stop on each available station for 5 second if you press SCN button.

AUTO SEEK SEARCH TUNING (AMS)

By pressing shortly AMS button, the radio searches for each preset station. By pressing longer than 1 sec, and then 6 strongest stations are preset to the corresponding preset number. When AS operation is finished, the radio executes the preset scan.

SCAN AUTOMATIC TUNING CONTROL (SCN)

This button is operated as RADIO SCAN. The operation is similar as normal search but different thing is holding 5 seconds on every station detected in RADIO SCAN mode.

TA (TRAFFIC ALARM) FUNCTION

- Briefly press the TA button to turn on or turn off the TA function.

- When TA is enabled (on), the tuner starts searching the traffic announcement.

AF (ALTERNATIVE FREQUENCIES) FUNCTION

Briefly press the AF button to turn on or turn off the AF function.

The RDS program will be automatically searched and received. The unit will search another frequency with this RDS program.

PTY (PROGRAM TYPE) FUNCTION

When PTY is selected, the radio starts to search corresponding PTY information and stops when the corresponding PTY information is detected. If corresponding PTY information is not found, NO PTY is displayed.

Press PTY button once to choose Music mode, then press number buttons (1-6) to choose the needed program.

Press PTY button twice to choose Speech mode, then press number buttons (1-6) to choose the needed program.

MUSIC

1. POPM, ROCK M
2. EASY M, LIGHT M
3. CLASSICS, OTHER M
4. JAZZ, COUNTRY
5. NATION M, OLDIES
6. FOLK M

SPEECH

- 1 NEWS, AFFAIRS, INFO
- 2 SPORT, EDUCATE, DRAMA
- 3 CULTURE, SCIENCE, VARIED
- 4 WEATHER, FINANCE, CHILDREN
- 5 SOCIAL, RELIGION, PHONE IN
- 6 TRAVEL, LEISURE, DOCUMENT

Note: When pressed shortly, number buttons select a preset station directly. When pressed longer than 1 sec., current station is stored in preset memory bank.

CD/SD/MMC/USB operations

Discs for playback

This unit can play disc types: CD/CD-R/-RW.

Compatible with formats: CDDA/MP3/WMA.

Loading and ejecting a disc

1. Turn the power on.
2. Press OPEN button
3. Insert the disc with the printed side facing upward into the slot.
4. Press EJECT button to eject the disc.

Multi-media card MMC/SD card slot

Support MP3/WMA ID3 format music only. Press OPEN button. Carefully insert the SD/MMC card into the card slot on the inner panel. Close the panel. Unit starts playback automatically.

USB jack

Carefully connect the USB driver to the USB adapter cable and then insert it into the USB jack on the front panel. Unit starts playback automatically.

Note: Do not flip down the front panel during playback of USB files.

USB/SD/MMC notes:

USB functions (flash memory type) MP3 music play.

1. SD/ MMC card support.
2. FAT 12/ FAT 16/ FAT 32 is possible
 - FAT 12/16 (dir: 200 support, file:500 support),

- FAT 32 (dir: 200 support, file:500 support).
3. Filename: 32 byte/ Dir name: 32byte.
 4. Tag
 - Title/ Artist/ Album: 32 byte support.

Note: The unit supports ID3 tags and file names in the Latin alphabet. The Cyrillic alphabet is possibly supported only if coded in Windows 1251.

5. Multi card reader not support.
6. USB 2.0 support.

Notes:

USB format supports 2.0. Capacity: up to 4 GB.

SD cards brands: Cannon, Fuji film, Palm, Motorola, Microsoft, IBM, HP, Compaq, Sharp, Samsung, etc. Capacity: up to 4 GB.

MMC cards brands: Ericsson, Nokia, Motorola, HP, Palm, Sanyo, Microsystems, etc. Capacity: up to 4 GB.

Note: Because of the great variety of products with SD and MMC card slots and their sometimes quite manufacturer-specific functions the producer can neither guarantee that all devices will be recognized nor that all operating options that are possible in theory will actually work.

ID3 Tag information

As long as the current playing MP3/WMA music contains relevant ID3 tag information supported by this unit, the info such: file name, folder name, song title, artist and album will be scrolling on the LCD display; otherwise, they will not.

NEXT/PREVIOUS

Press NEXT/PREVIOUS buttons to choose next or previous track. Press longer than 1 sec., to choose forward playback or backward playback.

PLAY/PAUSE

Press PLAY/PAUSE/1 button to pause the playback, press one more time to resume the normal playback.

Press and hold this button to start the playback from the very beginning of the storage device.

INTRO (Preview all Tracks)

When INT/2 button is pressed, “INT ON” indication is displayed and the first several seconds of each track of the storage device is played. Press again to stop intro and listen to track.

REPEAT

When RPT/3 button is pressed, “RPT ON” indication is displayed and playback of the selected track will be continually repeated until the track repeat mode is cancelled by pressing RPT button again.

RANDOM

When RDM/4 button is pressed, “RDM ON” indication is displayed and each track of the disc is played in random instead of normal order. To cancel RANDOM mode, press RDM button again.

TRACK DOWN/UP SELECT (In case of MP3/WMA files)

-10/5 button: 10 Track down

+10/6 button: 10 Track up

Selection of MP3/WMA files (only for files and folders named in Latin alphabet)

1. Searching Track:

- Press AMS, then searching track is activated.
- Press VOL knob, then the first digit is blinking.
- Turn VOL knob to right or left, select first digit you want.
- Press VOL knob, then the first digit is fixed and second digit is blinking.
- Turn VOL knob to right or left, select 2’nd 3’rd and 4’th respectively.
- Then automatically the song you selected will start.

2. Searching File Name:

- Press AMS twice, then file search is activated.
- Press VOL knob, then the first directory is displayed.
- Turn VOL knob to right or left, you can select the directory you want.
- Press VOL knob again, then the directory is fixed and the first file name is displayed.
- Turn VOL knob to right or left, you can select the file you want.
- Press VOL knob, then the song you selected will start.

3. Searching Character:

- Press AMS 3 times, then character search mode is activated.
- Press VOL knob, then “A” character is displayed.
- Turn VOL knob to right or left, you can select the letter you want.
- Press VOL knob longer than 2 sec.
- The song which has same character you selected is displayed. If no such file is found, NOT FND will be displayed.
- Turn VOL knob to right or left, you can select the song you want.
- Press VOL knob, then the song you selected will start.

Note: The character search only supports Latin capital A-Z letters and Arabic numerals 0-9.

MP3/WMA overview

- MP3 is short for MPEG Audio Layer 3 and refers to an audio compression technology standard.
- This product allows playback of MP3 files on CD-ROM, CD-R or CD-RW discs.
- The unit can read MP3 files written in the format compliant with ISO 9660. However it does not support the MP3 data written by the method of packet write.
- The unit can not read an MP3 file that has a file extension other than “.mp3”.
- If you play a non- MP3 file that has the “.mp3” extension, you may hear some noise.
- In this manual, we refer to what are called “MP3 file” and “folder” in PC terminology as “track” and “album”, respectively.
- Maximum number of directory level is 8, including the root directory. Maximum number of files and folders per disc is 256.
- The unit may not play tracks in the order of Track numbers.
- The unit plays only the audio tracks if a disc contains both audio tracks and MP3 files.
- When playing a disc of 8 kbps or “VBR”, the elapsed playing time in the display window will not be correct and also the intro play may not function properly. “VBR”: Variable Bit Rate.
- The unit supports the playback of WMA files. The playback of ID3 tags for WMA format is not guaranteed, it depends on versions and availability of Cyrillic alphabet.
- WMA (Windows Media Audio) – music data compression format, created by Microsoft Corporation. This format uses coding algorithm for compression of initial audio-record, greatly decreasing the file size, but, saving the good sound quality even when the bit rate is low (for example, 64 Kbit/s).
- Remember that the unit may not play the tracks in order they are written on disc.

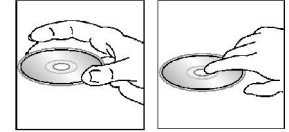
Notes on creating your own CD-R or CD-RW containing MP3 files:

- To enjoy high quality sound, we recommend converting to MP3 files with a sampling frequency of 44.1 kHz and a fixed bit rate of 128 kbps.
- DO NOT store more than 256 MP3 files per disc.
- For ISO 9660 - compliant format, the maximum allowable depth of nested folders is 8, including the root directory (folder).

- When CD-R disc is used, playback is possible only for discs, which have been finalized.
- Make sure that when MP3 CD-R or CD-RW is burned that it is formatted as a data disc and NOT as an audio disc.
- You should not write non-MP3 files or unneeded folders along with MP3 files on the disc otherwise it takes a long time until the unit starts to play MP3 files.
- With some CD-R or CD-RW media, data may not be properly written depending on its manufacturing quality. In this case, data may not be reproduced correctly. High quality CD-R or CD-RW disc is recommended.
- Up to 16 characters are displayed for the name of an Album or a Track.
- Note that the unit may not play Tracks in the order that you wrote them to the disc.

Handling discs

- Dirty, scratched or warped discs may cause skip ping or noise.
- Handle the disc only by the edges. To keep clean do not touch its surface.
- Discs should be stored in their cases after use to avoid scratches.
- Do not expose discs to direct sunlight, high humidity, high temperature or dust.
- Prolonged exposure to extreme temperature can warp the disc (such as leaving the discs in your car during summertime).
- Do not stick or write anything on either side of disc. Sharp writing instruments, or the inks used in some felt-tip pens, may damage its surface.
- Do not touch the unlabeled side. Do not attach any seal, label or data protection sheet to either side of a disc.



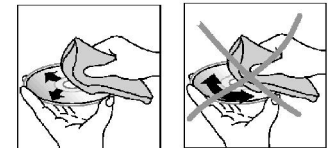
Cleaning

Cleaning the cabinet

Wipe with a soft cloth. If the cabinet is very dampen (not dropping wet) the cloth with a weak solution of soapy water, and then wipe clean.

Cleaning discs

Fingerprints should be carefully wiped from the surface of disc with a soft cloth. Unlike conventional records, compact discs have no grooves to collect dust and macroscopic dirt, so gently wiping them with a soft cloth should remove most panicles. Wipe in a straight motion from the center to the edge.



Never use thinner benzine, record cleaner or anti static spray on a compact disc. Such chemicals can damage its plastic surface.

Troubleshooting guide

Symptom	Cause	Solution
No power	The car ignition is not on. The fuse is blown.	If the power supply is properly connected to the car accessory switch the ignition key to "ACC". Replace the fuse.
Disc cannot be loaded.	Presence of disc inside the player.	Remove the disc in the player then put a new upward.
Disc cannot be read.	Inserting the disc in upside down. Compact disc is extremely dirty or defective. Temperature inside the car is too high/low.	Insert the compact disc with the label facing upward. Clean the disc or try to play a new one. Cool off until the ambient temperature returns to normal.
No sound	Volume is in minimum. Wiring is not properly connected.	Adjust volume to a desired level. Check wiring connection.
The buttons do not work.	The built-in microcomputer is not operating properly due to noise. Front panel is not properly fix into its place.	Press the RESET button. Reinstall the front panel.
Sound skips.	The installation angle is more than 30 degrees. The disc is extremely dirty or defective.	Adjust the installation angle to less than 30 degrees. Clean the compact disc/try to play a new one.
The radio does not work, the radio station automatic selection does not work.	The antenna cable is not connected the signals are too weak.	Insert the antenna cable firmly select a station manually.

Error table

Error	CD-player	USB
Error 1	Turn to the service center	-
Error 2	Turn to the service center	-
Error 3	Turn to the service center	-
Error 4	Turn to the service center	-
Error 5	Turn to the service center	-
Error 6	Turn to the service center	-
Error 7	Turn to the service center	-
Error 8	MP3/WMA no file	-
Error 9	MP3/WMA read	-
Error 15	-	TMC Error (Can Not Read Error)
Error 16	-	TMC No File Error (No File)

Specification

General	
Disc/Flash	CD/CD-R/CD-RW/USB/SD/MMC
Compatible with	CDDA/MP3/WMA
Power supply	12 V DC
Current consumption	max. 10A
Maximum power output	50 W x 4 channels
Dimensions (L x W x H)	178 x 163x 50 mm
Working temperature range	-10°C - +60°C
ESP	45 sec. ESP for Audio-CD, 120 sec ESP for MP3, 300 sec ESP for WMA
FM Stereo Radio	
Frequency range	87.5 - 108.0 MHz
Preset memory stations	18
MW (AM) section	
Frequency range	522 kHz - 1620 kHz
Preset memory stations	12
Audio specification	
Maximum output	2 Vrms (+/- 3 dB)
Frequency response	20 Hz - 20 KHz
S/N ratio (A-vtd)	60 dB
DSP sound effect	Classic, Rock, Pop, Flat
Line out	
Output	4 channel RCA line-out (2V)

Specifications are subject to change without notice. Dimensions are approximate.

Уважаемый покупатель!

Благодарим Вас за покупку нашего изделия. Для обеспечения безопасности рекомендуется тщательно изучить настоящее руководство перед подключением, эксплуатацией и/или регулировкой изделия и сохранять руководство для использования в будущем.

Содержание

Содержание	30
Меры предосторожности	31
Комплект поставки	32
Установка/подключение	33
Элементы управления	38
Символы на ЖК дисплее	42
Основные операции	43
Цифровой тюнер	47
Воспроизведение файлов с дисками/SD/MMC/USB	49
Обзор MP3 и WMA	53
Обращение с дисками	55
Чистка и уход	55
Руководство по устранению неисправностей	56
Технические характеристики	58

Меры предосторожности

- Тщательно изучите настоящую инструкцию, чтобы ознакомиться с устройством.
- Началом эксплуатации устройства считается момент его установки в автомобиль. Перед началом использования аппарата в зимний период рекомендуется прогреть салон автомобиля в течение 20 минут или до достижения эксплуатационного диапазона температуры аппарата.
- Использование аппарата при температуре, выходящей за рамки эксплуатационного диапазона температур, значительно снижает ресурс работы экрана и других компонентов аппарата и может привести к выходу аппарата из строя.
- При установке и подключении изделия отключите отрицательную клемму аккумулятора автомобиля.
- При замене предохранителя, убедитесь, что вы устанавливаете предохранитель с тем же номиналом. Используя предохранитель с повышенным значением тока, можно причинить значительные повреждения изделию.
- Не пытайтесь разбирать изделие. Лазерные лучи, исходящие из блока оптической головки считывания информации с компакт-диска, опасны для глаз.
- Не используйте устройство в местах, где оно может подвергнуться воздействию воды, влаги и пыли.
- Убедитесь, что шпильки или другие посторонние предметы не попали внутрь изделия. Они могут вызвать сбой в работе или стать причиной опасности, возгорания или поражения лазерным лучом.
- Не открывайте крышки и не проводите ремонт самостоятельно. Обратитесь к дилеру или квалифицированному персоналу.
- Убедитесь, вы отключили источник питания и антенну, если вы не будете пользоваться системой в течение длительного времени или во время грозы.
- Убедитесь, что вы отключили источник питания, если обнаружена неправильная работа системы, система издает необычные звуки, запах, выделяет дым или внутрь ее попала жидкость. Проведите квалифицированный технический осмотр системы.
- Прибор разработан так, чтобы отрицательный вывод аккумулятора был подключен к корпусу транспортного средства. Пожалуйста, убедитесь в этом перед установкой.
- Не позволяйте проводам динамиков касаться друг друга или корпуса автомобиля после включения прибора. В противном случае, может быть перегружен или выйти из строя усилитель.

Комплект поставки

Ресивер	1 шт
Передняя панель	1 шт
Футляр для передней панели	1 шт
Пульт дистанционного управления	1 шт
ISO кабель	1 шт
Детали для установки:	
Винт M4X5	4 шт
Винт M5X5	4 шт
Винт ST5X25	1 шт
Гайка M5	1 шт
Шайба	2 шт
Металлическая планка	1 шт
Ключ-съемник	2 шт
Мини USB - USB переходник	1 шт
Информация для потребителя	1 шт
Гарантийный талон	1 шт
Инструкция по эксплуатации	1 шт

Установка/подключение

- Перед окончательной установкой устройства временно подключите все провода и убедитесь, что все соединения сделаны верно, а устройство и система работают правильно.
- Для обеспечения правильной установки устройства используйте только те детали, которые входят в комплект. Использование других приспособлений может привести к появлению сбоев в его работе.
- Если для установки устройства необходимо сверлить отверстия в кузове автомобиля или вносить какие-либо другие изменения в его конструкцию, проконсультируйтесь с продавцом.
- Устанавливайте устройство там, где оно не будет закрывать водителю обзор и отвлекать от дорожной обстановки и не сможет нанести травм пассажирам в случае внезапной остановки автомобиля, например, при экстренном торможении.
- Если при установке устройства угол относительно горизонтальной плоскости превышает 30°, рабочие характеристики проигрывателя могут быть не оптимальны.
- Никогда не устанавливайте устройство в таких местах, где оно будет подвергаться воздействию высокой температуры, например, в местах попадания прямых солнечных лучей, в местах выхода горячего воздуха от отопителя автомобиля, в местах, где очень грязно или пыльно, или там, где устройство будет подвергаться сильной вибрации.
- Перед установкой устройства обязательно снимите переднюю панель.

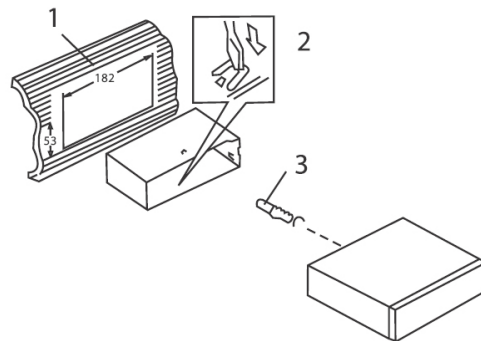
Установка устройства в приборную панель автомобиля «спереди» или «сзади»

Данное устройство может быть установлено либо «спереди» (обычная установка стандарта DIN в приборную панель автомобиля), либо «сзади» (установка стандарта DIN, при которой используются отверстия на боковых сторонах корпуса проигрывателя, имеющие резьбу под винты). Более подробно методы установки А и Б описываются ниже.

Установка устройства в приборную панель автомобиля «спереди» (Метод А)

Установка устройства

1. Приборная панель автомобиля
2. Монтажный кожух.
3. Винт
4. Гайка(5 мм)
5. Пружинная шайба
6. Винт (5 x 25 мм)
7. Опорная планка.
8. Плоская шайба



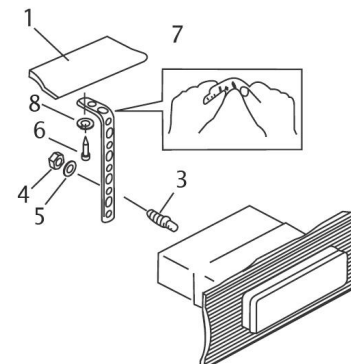
1. Установите монтажный кожух в приборную панель автомобиля, убедитесь, что он установлен правильной стороной и нет препятствий (провода, элементы приборной панели) для установки магнитолы.

2. После установки монтажного кожуха в приборную панель отогните на нем металлические язычки, соответствующие толщине приборной панели. Это позволит закрепить кожух на месте.

3. Обязательно используйте опорную планку для закрепления задней стороны проигрывателя. Определите место крепления и установите ее согласно приведенному рисунку. Планку можно согнуть руками под нужным углом.

4. Подключите необходимые провода и разъемы. Убедитесь в правильности подключения.

5. Установите магнитолу в монтажный кожух до фиксации боковых защелок.



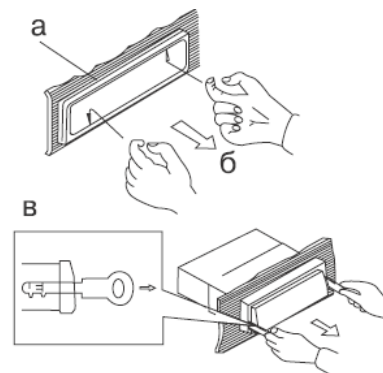
Снятие устройства

а – Декоративная рамка

б – Направление снятия рамки

в – Установка ключей съемников

1. Выключите магнитолу и снимите переднюю панель.
2. Вставьте пальцы в канавку на передней стороне декоративной рамки (рамка снимается с небольшим усилием). Потяните рамку на себя, чтобы снять ее.
3. Вставьте входящие в комплект ключи съемники с обеих сторон корпуса устройства, как показано на рисунке, до щелчка. Для того чтобы извлечь устройство из приборной панели, потяните за съемники или магнитолу и вытяните её на себя (перед снятием убедитесь, что магнитола не зафиксирована с опорной планкой).



Установка декоративной рамки

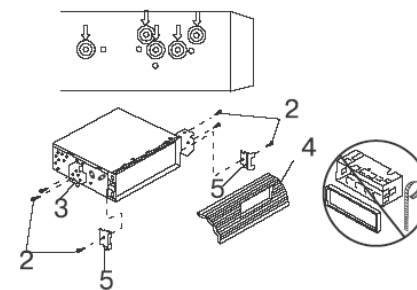
Для установки декоративной рамки прижмите ее к корпусу устройства и нажмите, чтобы вставить на место. Это необходимо сделать до установки передней панели, иначе вы не сможете установить декоративную рамку на место (При установке рамки на место направьте сторону с канавкой вниз и закрепите ее.).

Установка устройства в приборную панель автомобиля «сзади» (Метод Б)

В данном случае установки используются отверстия для винтов на боковых сторонах устройства. Закрепите устройство с помощью штатных кронштейнов крепления радиоприемника.

Выберите такое положение, в котором отверстия для винтов на кронштейне (3) будут совмещены с отверстиями для винтов на корпусе устройства и вкрутите по два винта (2) с каждой стороны.

2. Винт.



3. Монтажный кронштейн штатного радиоприемника.
4. Приборная панель или консоль автомобиля.
5. Защелка (снимите эту деталь).

Примечание: При установке по методу Б монтажный кожух и внешняя декоративная рамка не используются.

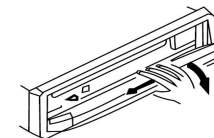
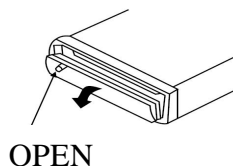
Установка передней панели

Вставьте левую сторону панели в пазы ресивера, затем вставьте правую часть.

Установите панель в вертикальное положение до щелчка. Убедитесь в том, что панель плотно закреплена в ресивере. Иначе на дисплее могут отобразиться символы ошибок или некоторые кнопки не будут функционировать.

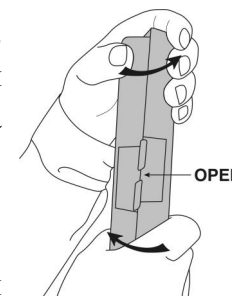
Нажмите кнопку OPEN, чтобы отсоединить панель.

Когда панель окажется в горизонтальном положении, аккуратно сдвиньте ее влево и снимите.



Система против кражи

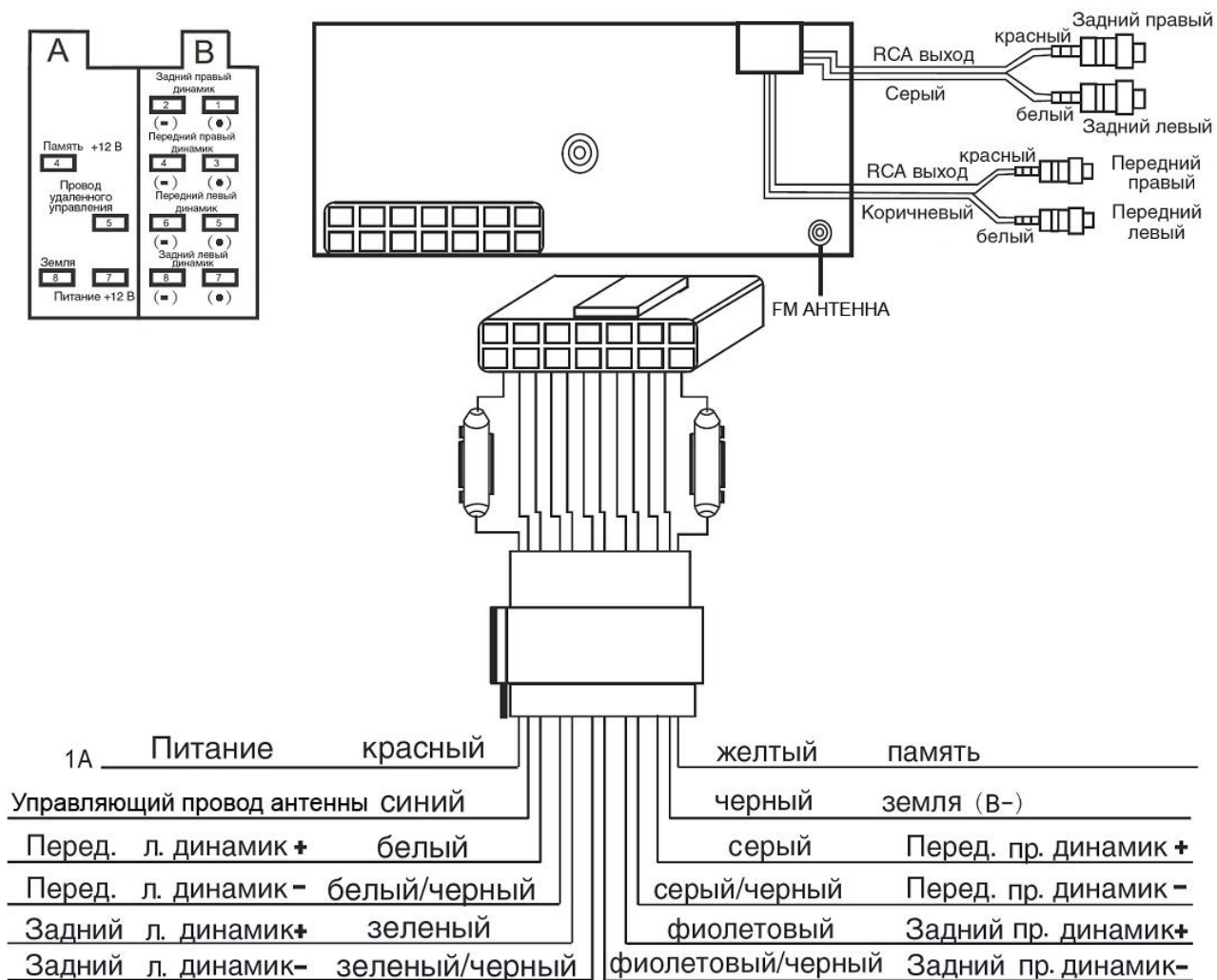
Если данное устройство не используется, переднюю панель можно отсоединить и поместить в защитный футляр, входящий в комплект поставки. Панель в футляре можно взять с собой, когда Вы покидаете автомобиль. Это позволяет избежать кражи панели. Чтобы открыть футляр, возьмитесь за него обеими руками и вращайте с нажатием, как показано на рисунке.



Снятие панели

1. Нажмите кнопку POWER для отключения питания устройства. Нажмите кнопку OPEN, чтобы открыть переднюю панель. Когда панель окажется в горизонтальном положении, аккуратно сдвиньте ее влево и снимите.
2. Поместите панель в предохранительный футляр, который Вы можете взять с собой, покидая автомобиль.

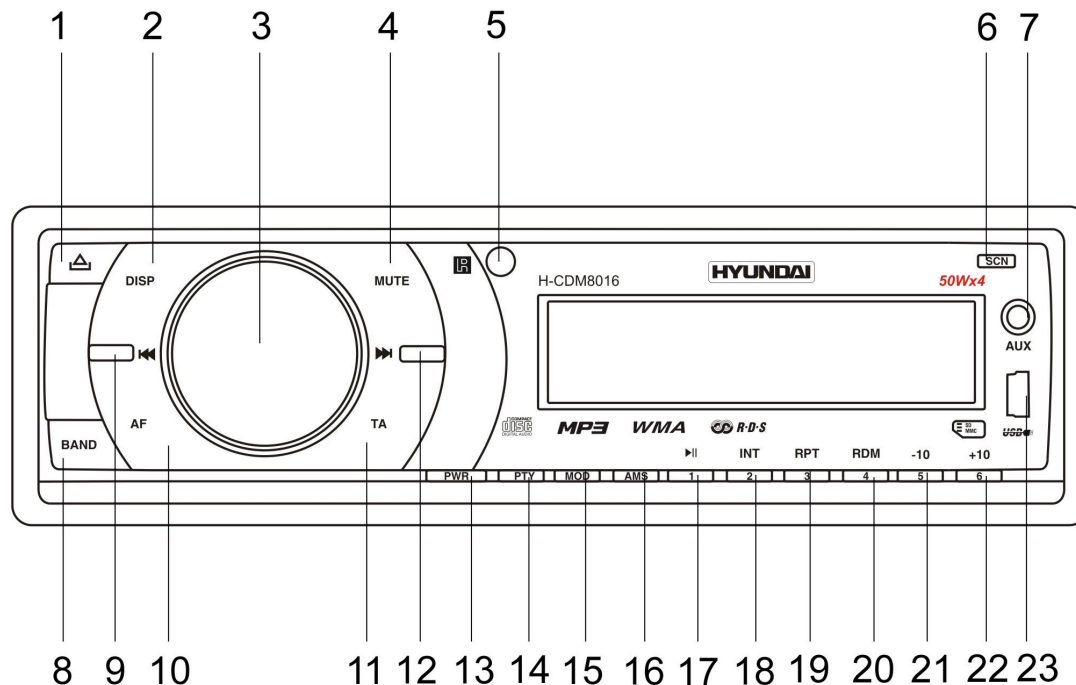
Схема электрических соединений



Элементы управления

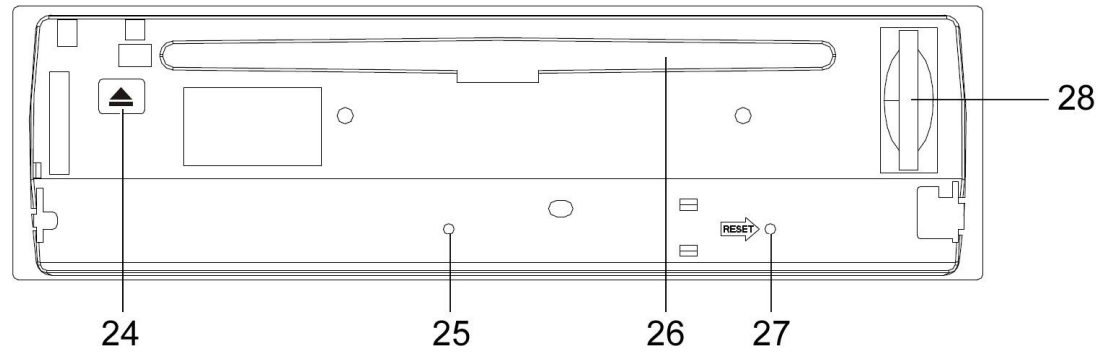
Передняя панель

1. Кнопка OPEN
2. Кнопка DISP
3. Регулятор VOL/Кнопка SEL
4. Кнопка MUTE
5. Сенсор ПДУ
6. Кнопка SCN
7. Разъем AUX IN
8. Кнопка BAND
9. Кнопка PREVIOUS
10. Кнопка AF
11. Кнопка TA
12. Кнопка NEXT
13. Кнопка POWER
14. Кнопка PTY
15. Кнопка MODE
16. Кнопка AMS
17. Кнопка PLAY/PAUSE/1
18. Кнопка INT/2
19. Кнопка RPT/3
20. Кнопка RDM/4
21. Кнопка -10/5
22. Кнопка +10/6
23. Разъем Mini USB



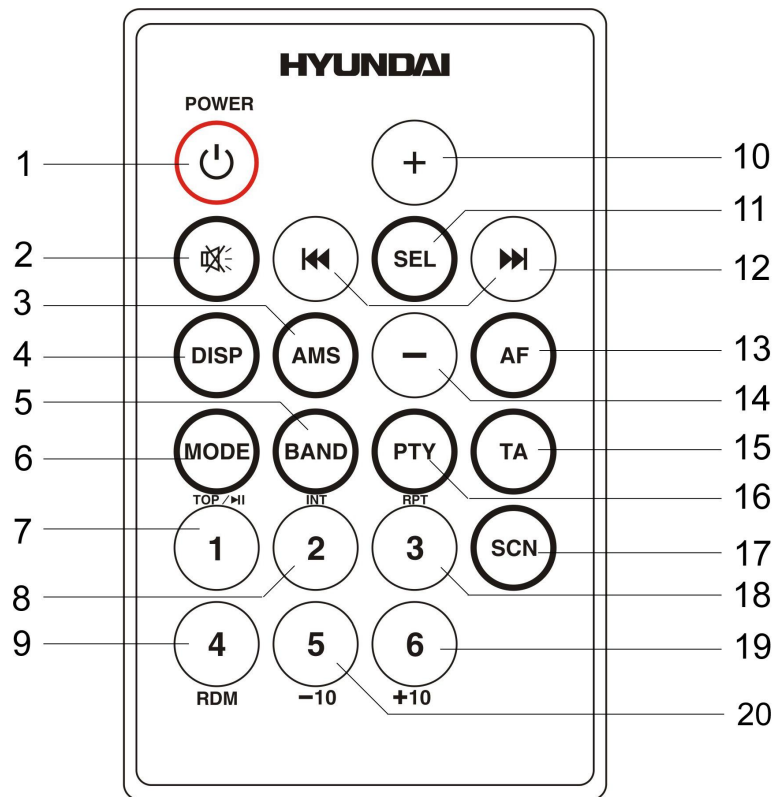
Внутренняя панель

- 24. Кнопка EJECT
- 25. Индикатор
- 26. Слот для дисков
- 27. Кнопка RESET
- 28. Слот для карт SD/MMC

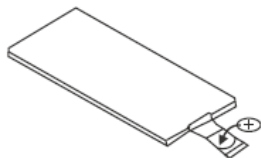


Пульт дистанционного управления

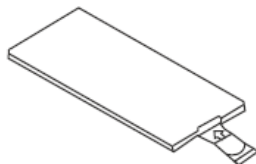
1. Кнопка POWER
2. Кнопка MUTE
3. Кнопка AMS
4. Кнопка DISP
5. Кнопка BAND
6. Кнопка MODE
7. Кнопка TOP/PLAY/PAUSE/1
8. Кнопка INT/2
9. Кнопка RDM/4
10. Кнопка VOL+
11. Кнопка SEL
12. Кнопки PREVIOUS/NEXT
13. Кнопка AF
14. Кнопка VOL-
15. Кнопка TA
16. Кнопка PTY
17. Кнопка SCN
18. Кнопка RPT/3
19. Кнопка +10/6
20. Кнопка -10/5



Замена батарей в пульте управления:



1. Извлеките лоток для батарей из корпуса ПДУ. Вставьте одну батарею типа CR 2025 3В знаком плюса (+) вверх.



2. Вставьте лоток для батарей в корпус ПДУ.

Примечание:

Не позволяйте детям играть с батареями.

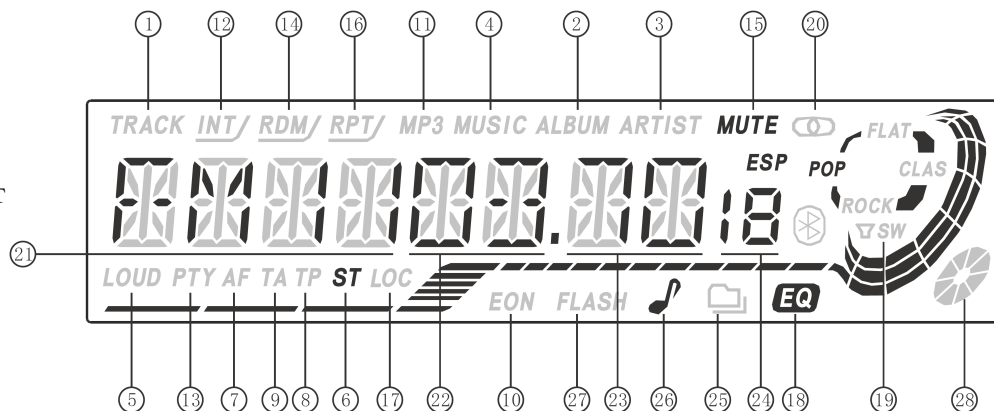
Неправильное использование батарей может стать причиной перегрева или возгорания, что в свою очередь ведет к пожару.

Утечка батарей может сделать причиной повреждения пульта управления (Срок работы батарей – 6 месяцев при эксплуатации в обычных условиях при комнатной температуре).

Не закорачивайте полюса батареи. Не бросайте батареи в огонь.

Символы на ЖК дисплее

1. Индикатор воспроизведения трека
2. Отображение названия альбома
3. Отображения имени исполнителя
4. Отображение названия композиции
5. Индикатор функции усиления низких частот
6. Индикатор стерео приема сигнала
7. Индикатор работы функции AF
8. Индикатор работы функции TP
9. Индикатор работы функции TA
10. Индикатор работы функции EON
11. Воспроизведение файла MP3
12. Индикатор функции предпрослушивания
13. Индикатор работы функции PTY
14. Индикатор функции произвольного воспроизведения
15. Индикатор отключения звука
16. Индикатор функции повторного воспроизведения
17. Индикатор приема местных радиостанций
18. Индикатор режима эквалайзера
19. Индикатор функции сабвуфера (не активен)
20. Индикатор стерео сигнала
21. Отображение номера трека/текущий поддиапазон
22. Минуты воспроизведения трека/радиочастота



23. Секунды воспроизведения трека/радиочастота
24. Отображение номера диска
25. Отображение имени папки
26. Отображение имени файла
27. Индикатор USB/карты памяти
28. Статичное отображение: диск воспроизводится
Мигание: диск на паузе

Основные операции

Кнопка RESET (сброс)

Нажмите на панели кнопку OPEN. Панель откроется. Снимите панель. Нажмите острым предметом кнопку RESET. Эта мера необходима в следующих ситуациях: исходная установка устройства после подключения, никакие кнопки не действуют, на дисплее появляются символы ошибок.

Включение/выключение питания

Нажмите любую кнопку (кроме OPEN), чтобы включить устройство. Нажмите и удерживайте кнопку POWER, чтобы отключить питание.

Примечание: Когда Вы выключаете систему или зажигание автомобиля, радио настройки будут сохранены в памяти устройства и при включении установки вернутся к сохраненным значениям.

Отображение информации на экране

Нажимайте кнопку DISP для последовательного отображения различной информации на дисплее, такой как радио частота, часы, текущий трек и пр. в зависимости от режима работы устройства.

Настройка времени

- Нажимайте кнопку DISP до отображения на дисплее часов, затем нажмите кнопку DISP и удерживайте 2 секунды. Часы начнут мигать.
- Вращайте регулятор VOL по часовой стрелке, чтобы установить часы.
- Вращайте регулятор VOL против часовой стрелки, чтобы установить минуты.
- Нажмите кнопку DISP для подтверждения настройки.

Выбор режима работы

Нажимайте кнопку MODE для выбора режима работы устройства: AUX (внешнее устройство)/TUNER (радио)/S-CDP (CD-MP3) (диск) (доступен, если в устройстве находится диск)/USB (USB-накопитель) (доступен, если к устройству подсоединен USB накопитель)/MMC/SD (карта памяти) (доступен, если в устройстве находится карта памяти).

Включение/Отключение звука

Нажмите кнопку MUTE, чтобы отключить звук. Нажмите кнопку повторно, чтобы включить звук.

Регулировка параметров аудио

Вращайте регулятор VOL, чтобы отрегулировать один из следующих параметров: VOL (громкость)/BASS (низкие частоты)/TRE (высокие частоты)/BAL (баланс между правым и левым каналами)/FAD (баланс между задним и передним каналами). Для выбора нужного параметра нажимайте кнопку SEL, название параметра будет отображаться на дисплее.

Примечание: Регулирование высоких и низких частот недоступно при включенной функции эквалайзера.

Другие функции

Для выбора нужной функции нажмите и удерживайте кнопку SEL, после чего нажимайте ее до отображения на дисплее нужной функции. Вращайте регулятор VOL, чтобы выбрать нужную опцию. После осуществления выбора несколько секунд не нажимайте никаких кнопок, чтобы активировать изменения.

Функция TA SEEK/TA ALARM

В режиме TA SEEK устройство выполнит поиск программ о дорожном движении при нажатии кнопки TA; режим TA ALARM предназначен для передачи экстренных сообщений. При этом информация о дорожном движении будет игнорироваться.

Функция MASK DPI/MASK ALL

В режиме MASK DPI, устройство маскирует только альтернативные частоты с разными информационными программами. В режиме MASK ALL устройство маскирует и информационные программы, и станции, не поддерживающие RDS.

Функция RETUNE S/L - SHORT/LONG

«RETUNE» означает временной интервал прерывания радио сигнала для сканирования. «S» означает интервал в 30 секунд, «L» означает интервал в 90 секунд.

Функция AUDIO DSP (эквалайзер)

Выберите режим эквалайзера: POP M => ROCK M => CLASS M=> FLAT M =>DSP OFF.

Функция LOUDNESS (усиление низких частот)

Выберите режим LOUD ON (вкл) или OFF (выкл). При включенном режиме низкие частоты усиливаются. Рекомендуется активировать данную функцию при прослушивании на невысоком уровне громкости.

Режим ESP (Electronic Shock Protection – Электронная система стабилизации)

Выберите значение для CD диска (45 с для CD, 120 с для MP3, 300 с для WMA).

Режим BEEP (звуковой сигнал)

BEEP ON (вкл): при каждом нажатии кнопок устройство будет подавать звуковой сигнал.

Режим SEEK (поиск) (для режима радио)

SEEK 1: В данном режиме при обнаружении станции автопоиск будет остановлен даже в случае последующего нажатия кнопки SEEK.

SEEK 2: При нажатии и удерживании кнопки SEEK автопоиск будет продолжен даже при обнаружении станции. Если Вы отпустите кнопку SEEK, поиск будет остановлен после обнаружения станции.

STEREO/MONO (стерео/моно режим) (для режима радио)

При плохом качестве приема FM сигнала выберите режим моно, это может повысить качество приема сигнала.

LOCAL/DX (прием местных/удаленных радиостанций) (для режима радио)

Эта функция позволяет выбирать режимы LOCAL и DISTANT (DX) (режим приема местных или удаленных радиостанций; это влияет на чувствительность тюнера и на качество принимаемого радио сигнала).

VOL LAST/ADJUST (Уровень звука после включения)

С помощью этой функции можно выбрать уровень звука, который сохранится после включения ресивера.

Выберите VOL LAST, если вы хотите, чтобы уровень звука перед выключением сохранился.

VOL ADJUST: выберите необходимый уровень звука.

Например: выберите уровень звука 15. Выключите и включите ресивер, уровень звука 15 сохранится.

Дополнительный разъем AUX

Устройство оснащено дополнительным разъемом AUX, предназначенным для подключения внешнего устройства в качестве источника сигнала.

Примечание: Не открывайте переднюю панель во время использования разъема AUX.

Цифровой тюнер

Внимание: Сервис RDS (Система радио данных) доступен не во всех регионах. Имейте в виду, что если услуга RDS не доступна в Вашем регионе, то данная функция не будет работать.

Выбор режима радио

Нажимайте кнопку MODE, чтобы выбрать режим радио - TUNER.

Выбор диапазона

Нажимайте кнопку BAND, чтобы выбрать диапазон: FM1--FM2--FM3--MW1 (AM1)--MW2 (AM2).

Автоматическая и ручная настройка

Нажмите и удерживайте кнопку NEXT, чтобы начать автоматический поиск программы вверх по диапазону; нажмите и удерживайте кнопку PREVIOUS, чтобы начать автоматический поиск программы вниз по диапазону. Нажимайте эти кнопки для поиска программы вручную.

Примечание: Функция сканирования частот с остановкой на каждой станции в течение 5 секунд включается кнопкой SCN.

Автоматический поиск и сканирование (AMS)

Нажмите кнопку AMS, ресивер произведет поиск всех предустановленных станций. Нажмите и удерживайте эту кнопку; 6 станций с сильным сигналом будут сохранены в памяти устройства. После этого устройство произведет сканирование сохраненных станций.

Функция TA (программы о дорожном движении)

Нажмите кнопку TA, чтобы включить/выключить режим TA. Оповещения о ситуации на дороге прерывают воспроизведение диска и вещание радиостанций. Чтобы прервать эти оповещения, нажмите кнопку TA один раз, устройство вернется к предыдущему режиму; это не повлечет за собой отключения функции TA.

Функция AF (альтернативные частоты)

При слабом сигнале функция Альтернативных частот позволяет приемнику настраиваться на другие станции с тем же идентификационным кодом, что и текущая станция, но с более сильным сигналом. При этом вместо частоты на дисплее появится название станции.

Нажмите кнопку AF, чтобы включить или выключить функцию AF. При включенном режиме AF радио постоянно проверяет силу сигнала альтернативных частот, на которых может транслироваться RDS программа. Если сигнал слабый или исчезает, тюнер будет автоматически искать другую частоту с этой программой.

Функция выбора передаваемого типа программыPTY

При активации функции PTY, ресивер начинает поиск станции с соответствующей направленностью. Если соответствующая станция не найдена, на дисплее отобразится надпись NO PTY.

Нажмите кнопку PTY один раз, чтобы выбрать режим поиска музыкальных программ, затем нажимайте кнопки с цифрами (1-6), чтобы выбрать канал. Нажмите кнопку PTY дважды, чтобы выбрать режим поиска информационных программ, затем нажимайте кнопки с цифрами (1-6), чтобы выбрать канал.

Музыкальные программы

1. POPM, ROCK M
2. EASY M, LIGHT M
3. CLASSICS, OTHER M
4. JAZZ, COUNTRY
5. NATION M, OLDIES
6. FOLK M

Информационные программы

- 1 NEWS, AFFAIRS, INFO
- 2 SPORT, EDUCATE, DRAMA
- 3 CULTURE, SCIENCE, VARIED
- 4 WEATHER, FINANCE, CHILDREN
- 5 SOCIAL, RELIGION, PHONE IN
- 6 TRAVEL, LEISURE, DOCUMENT

Примечание: С помощью кнопок с цифрами можно выбирать станции для прослушивания. Долгое нажатие одной из этих кнопок сохраняет найденную станцию под соответствующей цифрой.

Воспроизведение файлов с дисками/SD/MMC/USB

Диски для воспроизведения

Это устройство может воспроизводить диски следующих типов: CD/CD-R/-RW. Устройство совместимо с форматами: CDDA/MP3/WMA.

Загрузка и извлечение диска

Включите питание устройства. Откройте панель. Поместите диск в слот маркированной стороной вверх. Нажмите кнопку EJECT, чтобы извлечь диск.

Загрузка карт памяти SD/MMC

Откройте переднюю панель. Вставьте SD/MMC карту в соответствующий слот, расположенный на внутренней панели. Закройте переднюю панель. Начнется воспроизведение первого трека.

USB порт

Вставьте USB носитель через Mini USB - USB переходник в USB порт, расположенный на передней панели. Автоматически начнется воспроизведение первого трека.

Примечание: Не открывайте переднюю панель во время воспроизведения файлов с USB носителя.

Примечания по USB/SD/MMC разъемам:

Воспроизведение MP3 файлов с USB карт (флэш-память).

1. Поддержка карт памяти SD/MMC.
2. Поддержка FAT 12/ FAT 16/ FAT 32
 - FAT 12/16 (поддержка 200 папок, 500 файлов),
 - FAT 32 (поддержка 200 папок, 500 файлов).
3. Имя файла: 32 байта/ имя папки: 32 байта.
4. Тэги

- Имя/ Исполнитель/Альбом: поддержка 32 байтов.

Примечание: Устройство поддерживает корректное отображение ID3 тэгов для MP3 файлов и имен файлов в латинице. Возможна поддержка русских ID3 тэгов и имен файлов в кодировке Windows 1251.

5. Многофункциональный карт-ридер не поддерживается.

6. Поддержка формата USB 2.0.

Примечание:

USB: Поддержка формата USB 2.0. Емкость: до 4 Гб.

SD: Поддержка брендов SD карт памяти: Cannon, Fuji film, Palm, Motorola, Microsoft, IBM, HP, Compaq, Sharp, Samsung, и т. д. Емкость: до 4 Гб.

MMC: Поддержка брендов MMC карт памяти: Ericsson, Nokia, Motorola, HP, Palm, Sanyo, Microsystems, и т.д. Емкость: до 4 Гб.

Информация об ID3 тэгах

Данное устройство поддерживает ID3 теги. Если MP3/WMA файл содержит информацию ID3, такая информация будет отображаться на дисплее при воспроизведении трека. ID3 информация может включать в себя данные о файле, папке, музыке, альбоме и исполнителе.

Выбор трека

Нажмите кнопку NEXT или PREVIOUS, чтобы выбрать следующий или предыдущий трек. Нажмите и удерживайте в течение одной секунды, чтобы начать ускоренное воспроизведение вперед или назад.

Примечание: Во время воспроизведения MP3/WMA файлов нажимайте кнопки -10/5 или +10/6, чтобы перейти на 10 треков вниз или вверх.

Пауза

Нажмите кнопку PLAY/PAUSE/1, чтобы поставить воспроизведение на паузу, нажмите ее еще раз, чтобы возобновить воспроизведение.

Нажмите и удерживайте кнопку 2 секунды, чтобы началось воспроизведение первого трека.

Предпрослушивание

Во время воспроизведения, нажмите кнопку INT/2, чтобы началось проигрывание первых 10 секунд каждого трека (на дисплее появится надпись “INT ON”). Нажмите эту кнопку еще раз, чтобы вернуться в нормальный режим воспроизведения.

Повтор

Нажмите кнопку RPT/3, на дисплее появится надпись “RPT ON” и активируется режим повтора воспроизведения текущего трека. Нажмите кнопку еще раз, чтобы вернуться в режим нормального воспроизведения.

Воспроизведение в произвольном порядке

Нажмите кнопку RDM/4, на дисплее появится надпись “RDM ON” и активируется режим воспроизведения в произвольном порядке. Нажмите кнопку еще раз, чтобы вернуться в режим нормального воспроизведения.

Поиск MP3/WMA файлов (только для файлов и папок с названиями в латинице)

1. Поиск трека:

- Нажмите кнопку AMS, активизируется режим поиска.
- Нажмите кнопку SEL, начнет мигать первая цифра.
- Вращайте регулятор VOL, чтобы выбрать нужную цифру.
- Нажмите кнопку SEL, начнет мигать вторая цифра.
- Вращайте регулятор VOL, чтобы выбрать нужную цифру, и т.д.
- Нажмите кнопку SEL, начнется воспроизведение выбранного трека.

2. Поиск по имени папки/файла:

- Нажмите кнопку AMS дважды, активизируется режим поиска.
- Нажмите кнопку SEL, отобразится название первой папки.

- Вращайте регулятор VOL, чтобы выбрать нужную папку.
- Нажмите кнопку SEL еще раз, папка выбрана, отобразится название первой песни в папке.
- Вращайте регулятор VOL, чтобы выбрать нужный файл.
- Нажмите кнопку SEL, чтобы начать воспроизведение выбранного трека.

3. Поиск по буквам:

- Нажмите кнопку AMS 3 раза, активизируется режим поиска.
- Нажмите кнопку SEL, отобразится буква “А”.
- Вращайте регулятор VOL, чтобы выбрать нужную букву.
- Нажмите и удерживайте кнопку SEL в течение 2 секунд.
- Файл, название которого совпадает с критериями вашего поиска отобразится на дисплее. Если такой файл отсутствует на носителе, на дисплее отобразится надпись NOT FND (не найдено).
- Вращайте регулятор VOL, чтобы выбрать нужную песню.
- Нажмите кнопку SEL, чтобы начать воспроизведение выбранной песни.

Примечание: Поиск по буквам поддерживает только заглавные латинские буквы A-Z и арабские цифры 0-9.

Обзор MP3 и WMA

- MP3 это краткое обозначение аудио слоя MPEG 3 и относится к стандарту технологии сжатия звука.
- Данное изделие позволяет воспроизводить файлы MP3 на дисках CD-ROM, CD-R или CD-RW.
- Изделие может считывать файлы MP3, записанные в формате, соответствующем ISO 9660. Однако оно не поддерживает данные MP3, записанные методом пакетной записи.
- Изделие не может считывать файлы MP3, которые имеют расширение файла, отличающееся от “.mp3”.
- Если вы воспроизводите не MP3 файл, который имеет расширение “.mp3”, вы можете слышать некоторые шумы.
- В данном руководстве мы рассматриваем файлы, называемые “файлами MP3” и “папкой”, а в технологии PC “дорожкой” и “альбомом” соответственно.
- Максимальное количество уровней директории равно 8, включая корневую директорию. Максимальное количество файлов и папок на диске 256.
- Изделие может не воспроизводить дорожки в последовательном порядке.
- Изделие воспроизводит только аудио треки, если диск содержит как аудио треки, так и файлы MP3.
- При воспроизведении диска 8 килобит или VBR, истекшее время воспроизведения в окне дисплея будет неправильным, а также ознакомительное воспроизведение может не действовать надлежащим образом. VBR: Переменная скорость передачи битов.
- Устройство поддерживает воспроизведение WMA файлов. Воспроизведение ID3 тегов для формата WMA не является гарантированным, так как это зависит от версий и наличия кириллицы.
- WMA (Windows Media Audio) – формат сжатия музыкальных данных, созданный Microsoft Corporation. Формат использует алгоритмы кодирования для сжатия исходной аудиозаписи, значительно уменьшая размеры файла, но, сохраняя хорошее качество звука даже при низких (например, 64 Кбит/сек) скоростях передачи данных (битрейтах).
- Помните, что изделие может не воспроизводить треки в том порядке, в котором они записаны на диске.

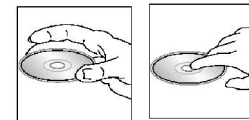
Примечание по созданию собственных CD-R или CD-RW дисков, содержащих файлы MP3:

- Для получения высокого качества звука мы рекомендуем преобразовывать файлы MP3 с эталонной частотой 44,1 кГц и фиксированным битрейтом 128 Кбит/сек.

- НЕ сохраняйте более 256 файлов MP3 на диске.
- Для формата, совместимого с ISO 9660, максимально допустимая глубина вложенных папок равняется 8, включая корневую директорию (папку).
- При использовании диска CD-R воспроизведение возможно только для дисков, которые были закончены.
- Убедитесь, что при записи MP3 CD-R или CD-RW были отформатированы как диски данных, а НЕ как аудио диски.
- Вы не должны записывать не-MP3 файлы или ненужные папки вместе с файлами MP3 на диск, в противном случае потребуется много времени, пока изделие начнет воспроизводить файлы MP3.
- На некоторых CD-R или CD-RW данные могут не быть записаны надлежащим образом в зависимости от качества их производства. В этом случае данные могут быть воспроизведены не надлежащим образом. Рекомендуются диски CD-R или CD-RW высокого качества.
- Имя альбома или композиции может содержать до 16 символов.
- Помните, что изделие может не воспроизводить треки в том порядке, в котором они записаны на диске.

Обращение с дисками

- Грязные, поцарапанные или погнутые диски могут вызвать искажение звука или шумы
- Держите диск только за края (как показано на рисунке). Чтобы обеспечить чистоту, не прикасайтесь к его поверхности.
- Диски должны храниться в их чехлах после использования, чтобы не поцарапать их поверхность.
- Не подвергайте диски действию прямого солнечного света, повышенной влажности, повышенным температурам или действию пыли.
- Продолжительное влияние предельных температур может изогнуть диск (например, пребывание дисков в автомобиле в летнее время).
- Не царапайте и не пишите что-либо на любой стороне диска. Острые пишущие инструменты или чернила, используемые в них, могут повредить поверхность диска.
- Не прикасайтесь к стороне, не имеющей маркировки.
- Не прикрепляйте какую-либо печать, этикетку или лист предохранения данных к любой стороне диска.



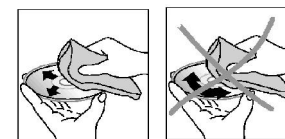
Чистка и уход

Чистка корпуса

Протирайте мягкой тканью. Если корпус очень загрязнен (не мочите его), используйте ткань, слегка смоченную мыльным раствором, и затем вытрите его сухой тканью.

Чистка дисков

Отпечатки пальцев должны быть тщательно стерты с поверхности диска мягкой тканью. В отличие от обычных пластинок, компакт-диски не имеют канавок для сбора пыли и микроскопических частиц грязи, поэтому осторожно вытирайте их мягкой тканью, чтобы убрать частицы грязи. Вытирайте прямолинейным движением от центра к краю.



Никогда не используйте растворитель, бензин, очиститель пластинок или антистатический аэрозоль для чистки дисков. Такие химические вещества могут повредить его пластиковые поверхности.

Руководство по устранению неисправностей

Неисправность	Причина	Решение
Нет питания	Зажигание машины не включено. Сгорел предохранитель.	Если источник питания подключен надлежащим образом к выключателю машины, установите ключ зажигания в положение “АСС”. Замените предохранитель.
Невозможно загрузить диск	В плеер установлен диск.	Удалите диск из плеера, затем установите новый.
Невозможно считать диск	Диск установлен верхней стороной вниз. Диск загрязнен или имеет дефект. Температура внутри машины очень высокая/низкая.	Установите компакт диск стороной с этикеткой вверх. Очистите диск или установите новый. Подождите, пока температура не станет нормальной.
Нет звука	Звук установлен на минимум. Кабель не подключен надлежащим образом.	Отрегулируйте звук до необходимого уровня. Проверьте подключение кабеля.
Кнопки не работают	Встроенный микрокомпьютер не работает надлежащим образом из-за шумов. Передняя панель не установлена на свое место.	Нажмите кнопку RESET. Повторно установите переднюю панель.
Звук пропадает	Угол установки более 30 градусов. Диск загрязнен или имеет дефект.	Отрегулируйте угол установки, установив его менее 30 градусов. Очистите диск или установите новый.
Радио не работает. Не работает автоматический выбор радиостанции	Антенный кабель не подключен. Сигналы слишком слабы.	Вставьте антенный кабель надежно. Выберите станцию вручную.

Таблица ошибок

Сообщение об ошибке	CD-плеер	USB
Error 1	Обратитесь в сервисный центр	-
Error 2	Обратитесь в сервисный центр	-
Error 3	Обратитесь в сервисный центр	-
Error 4	Обратитесь в сервисный центр	-
Error 5	Обратитесь в сервисный центр	-
Error 6	Обратитесь в сервисный центр	-
Error 7	Обратитесь в сервисный центр	-
Error 8	MP3/WMA файл отсутствует	-
Error 9	MP3/WMA ошибка считывания	-
Error 15	-	Ошибка считывания
Error 16	-	Файл отсутствует

Технические характеристики

Общие	
Поддержка носителей	CD/CD-R/CD-RW/USB/SD/MMC
Воспроизведение форматов	CDDA/MP3/WMA
Источник питания	12 В постоянного тока
Потребляемый ток/Предохранитель	Максимум 10 А
Максимальная выходная мощность	50 Вт x 4 канала
Размеры (Д x Ш x В)	178 x 163 x 50 мм
Рабочий диапазон температур	-10°C - +60°C
Электронная система стабилизации	45 с CD, 120 с MP3, 300 с WMA
Сtereo FM радио	
Частотный диапазон	87.5 - 108.0 МГц
Память цифрового тюнера	18 станций
MW (AM) радио	
Частотный диапазон	522 кГц - 1620 кГц
Память цифрового тюнера	12 станций
Аудио	
Максимальный уровень сигнала на выходе	2 В RMS (+/-3 дБ)
Частотный диапазон	20 Гц – 20 КГц
Уровень сигнал-шум (A-vtd)	60 дБ
DSP процессор	Classic, Rock, Pop, Flat
Линейный выход	Два линейных RCA-выхода (2В)

Технические характеристики могут быть изменены заводом-изготовителем без предварительного уведомления. Указанные геометрические размеры имеют приблизительные значения.

