

# HYUNDAI



## H-CDM8017



**CD/MP3/WMA-RECEIVER**

**CD/MP3/WMA-РЕСИВЕР**

**Instruction manual**

**Руководство по эксплуатации**

# Table of contents

## Dear customer!

Thank you for purchasing our product. For safety, it is strongly recommended to read this manual carefully before connecting, operating and/or adjusting the product and keep the manual for reference in the future.

<b>Table of contents</b> .....	2	Tuning .....	11
<b>Before you start</b> .....	3	Automatic store/scan .....	11
Utilization of the product .....	3	Programming stations .....	11
Important safeguards .....	3	RDS function .....	11
<b>Installation/Connection</b> .....	4	AF (Alternative Frequencies) function ...	11
Installation .....	4	Region on/off mode .....	11
General notes .....	4	TA (Traffic Alarm) function .....	12
Din Front/Rear-Mount .....	4	PTY (Program Type) .....	12
1. DIN front-mount (Method A) .....	4	Local/distant stations .....	12
Dismantling the unit .....	4	Other parameter setting .....	12
Trim frame installation .....	5	Disc operations .....	13
2. DIN rear-mount (Method B) .....	5	Insert/Eject disc .....	13
Detachable control panel .....	5	Pausing playback .....	13
Anti-theft system .....	5	Playing the previous/next track .....	13
Connection .....	6	Fast forward/backward playback .....	13
Connection diagram .....	6	Folder selection .....	13
Using the ISO Connector .....	6	Intro playback .....	13
<b>Operation</b> .....	8	Repeat playback .....	13
Control elements .....	8	Random playback .....	13
Front panel .....	8	Searching file/directory .....	13
Inner panel .....	8	Mixed CD operation .....	14
LCD layout .....	9	Notes on MP3 and WMA .....	14
General operations .....	10	Notes on creating your own CD-Rs .....	15
Turning on/off .....	10	or CD-RWs containing MP3 files .....	15
Volume control .....	10	USB/SD/MMC operation .....	15
Audio parameter setting .....	10	USB/SD/MMC notes .....	15
Mode selection .....	10	Memory card operation .....	15
Mute function .....	10	USB device operation .....	16
Equalizer .....	10	<b>General information</b> .....	17
Loudness control .....	10	Handling compact discs .....	17
Information display .....	10	Cleaning discs .....	17
Beep function .....	10	Cleaning the unit body .....	17
Tel mute .....	10	Accessories .....	17
Reset function .....	10	Troubleshooting guide .....	18
AUX in jack .....	11	Specification .....	19
Radio operations .....	11		
Band selection .....	11		

## Utilization of the product

If you want to dispose this product, do not mix it with general household waste. There is a separate collection system for used electronic products in accordance with legislation that requires proper treatment, recovery and recycling.

Please contact your local authorities for the correct method of disposal. By doing so, you will ensure that your disposed product undergoes the necessary treatment, recovery and recycling and thus prevent potential negative effects on the environment and human health.

## Important safeguards

- Read carefully through the manual to familiarize yourself with this unit.
- Keep this manual handy as a reference for operating procedures and precautions. Do not allow persons who have not read through this manual to use this unit.

- “CLASS 1 LASER PRODUCT”

This product contains a laser diode of higher class than 1. Laser beams from the optical pickup are dangerous to the eyes. To ensure continued safety, do not remove any covers or attempt to gain access to the inside of the product. Refer all servicing to qualified personnel.

- Do not allow this unit to come into contact with liquids. Electrical shock could result. Also, damage to this unit, smoke, and overheating could result from contact with liquids or dust. Protect this unit from moisture.
- Make sure that foreign objects do not get inside the unit; they may cause malfunctions, or create safety hazards such as electrical shock or laser beam exposure.
- The beginning of operation is the moment of the unit installation. Before use the device in winter it is recommended to heat up the passenger compartment during 20 seconds or to the operation temperature.
- Using the unit with the temperature that goes beyond the operation temperature greatly decreases the operation resource of the screen and other components of the unit and can

result in an outage.

- Disconnect the vehicle's negative battery terminal while mounting and connecting the unit.
- The unit is designed for negative terminal of the battery, which is connected to the vehicle metal. Please ensure it before installation.
- When replacing the fuse, be sure to use one with an identical amperage rating. Using a fuse with a higher amperage rating may cause serious damage to the unit.
- Do not allow the speaker wires to be shorted together when the unit is switched on. Otherwise it may overload or burn out the power amplifier.
- Make sure you disconnect the power supply and aerial if you will not be using the system for a long period or during a thunderstorm.
- Make sure you disconnect the power supply if the system appears to be working incorrectly, is making an unusual sound, has a strange smell, has smoke emitting from it or liquids have got inside it. Let a qualified technician check the system.
- Always keep the volume low enough so that you can hear sounds from outside the vehicle.
- Should this product fail to operate properly, contact your dealer or nearest service center.

# Installation/Connection

## Installation

### General notes

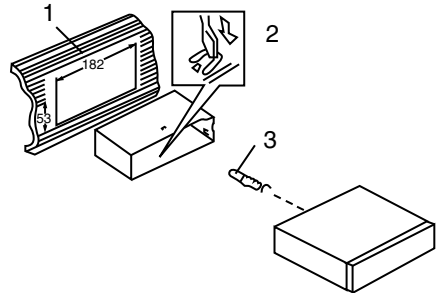
- Choose the mounting location where the unit will not interfere with the normal driving function of the driver.
- Before finally installing the unit, connect the wiring and make sure that the unit works properly.
- Consult with your nearest dealer if installation requires the drilling of holes or other modifications of the vehicle.
- Install the unit where it does not get in the driver's way and cannot injure the passenger if there is a sudden stop, like an emergency stop.
- If installation angle exceeds 30° from horizontal, the unit may not perform properly.
- Avoid installing the unit where it would be subject to high temperature, such as from direct sunlight, or from hot air, from the heater, or where it would be subject to dust, dirt or excessive vibration.

### Din Front/Rear-Mount

This unit can be properly installed either from 'Front' (conventional DIN Front-mount) or 'Rear' (DIN Rear-mount installation, utilizing threaded screw Holes at the sides of the unit chassis). For details, refer to the following illustrated installation methods.

#### 1. DIN front-mount (Method A)

1. Car dashboard
2. Sleeve
3. Screw
4. Nut (5 mm)
5. Spring washer
6. Screw (5 x 25 mm)
7. Metal strap
8. Flat washer



1. Install the sleeve into the dashboard; ensure it is installed with the correct side and there are no obstacles (wires, dashboard elements, etc) for the unit installation.

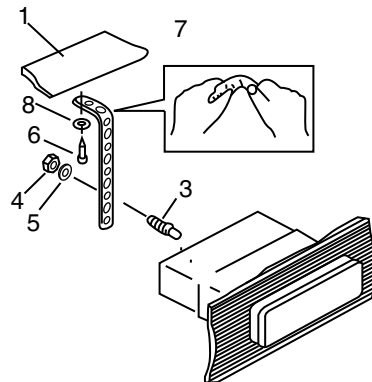
2. After installing the sleeve into the dashboard, bend tabs fitting to the size of the dashboard to fix the sleeve in place.

3. Use the metal strap to fix the rear side of the unit. Determine a place for fixing and install the strap as shown in the picture. You can bend the strap to the needed angle with your hands.

4. Make the necessary wire connections.

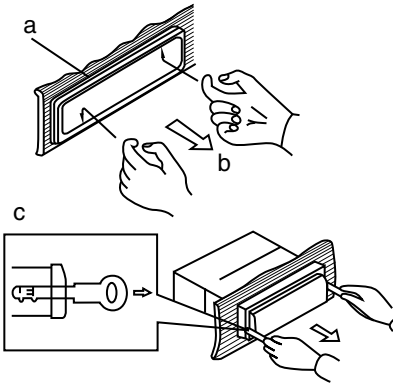
Ensure the connections are correct.

5. Install the unit into the sleeve until the side locks are fixed.



### Dismantling the unit

- a – Trim frame
- b – Frame uninstal direction
- c – Release key insertion



1. Switch off the unit and detach the front panel.
2. Insert your fingers into the groove in the front side of the trim frame (apply some effort to detach the frame). Pull the frame to detach it.
3. Insert the supplied release keys into the both sides of the unit body to click, as shown in the picture. To extract the unit from the dashboard, pull the release keys or the unit body to pull it out. Before detaching the unit, ensure it is not fixed with the metal strap.

## Trim frame installation

To install the trim frame, press it to the unit body and push it to fix it in place. This should be done before installing the front panel; otherwise you are not able to install the trim frame. When the trim frame being installed, the side with the groove should face down and fixed first.

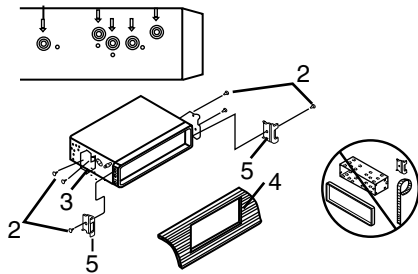
## 2. DIN rear-mount (Method B)

For this method, use the screw holes in the lateral sides of the unit. Fix the unit with the help of the factory radio mounting brackets.

1. Select a position in which the screw holes of the brackets (3) are aligned with the screw holes in the unit body, and screw in two screws (2) in each side.
2. Screw.
3. Factory radio mounting brackets.

4. Vehicle dashboard.
5. Lock (remove this part).

The outer trim frame and mounting sleeve are not used for method of installation.



## Detachable control panel

Install the fastening hole on the right side of the front panel on the right fastening of the unit. Then install the fastening hole on the left side of the front panel on the left fastening of the unit. After that, lift the panel and press on the middle of the panel until a click. Ensure that the panel is properly fixed, otherwise error symbols may be displayed and some buttons may not function.

To detach the front panel, press OPEN button and distract the left, then the right side of the panel from the fastenings of the unit.

The control panel can easily be damaged by shocks. After removing it, place it in a protective case and be careful not to drop it or subject it to strong shocks. The rear connector that connects the main unit and the control panel is an extremely important part. Be careful not to damage it by pressing on it with fingernails, pens, screwdrivers, etc.

If the control panel is dirty, wipe off the dirt with soft, dry cloth only. And use a cotton swab soaked in isopropyl alcohol to clean the socket on the back of the control panel.

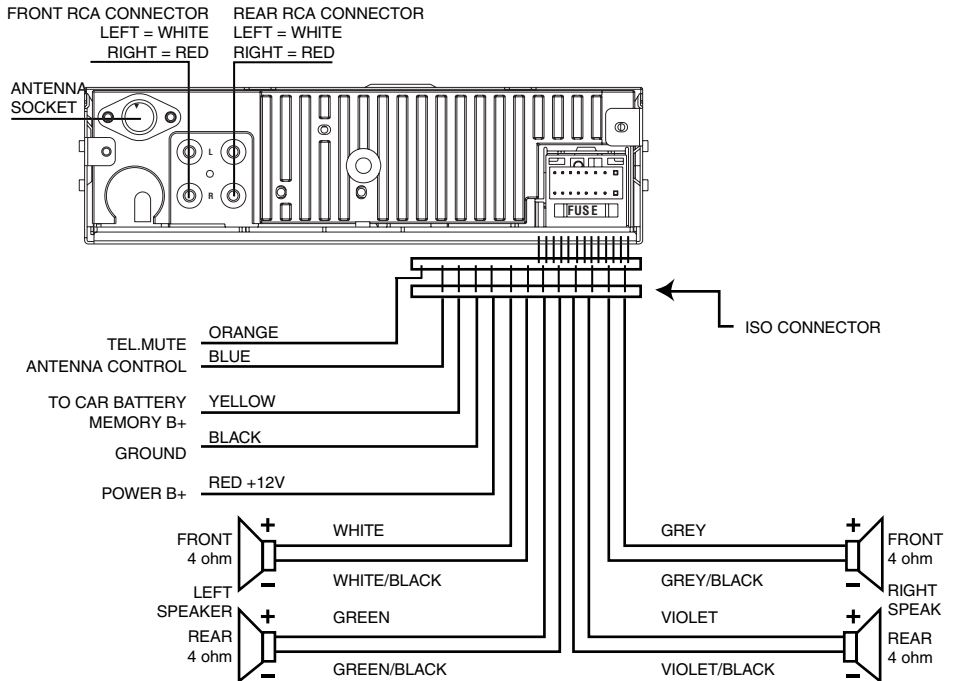
## Anti-theft system

The front panel of this unit can be stored in the protective case and carried away when you leave the vehicle to deter theft. Switch off the power of the unit. Detach the front panel, then put it to the protective case and take it with you.

# Installation/Connection

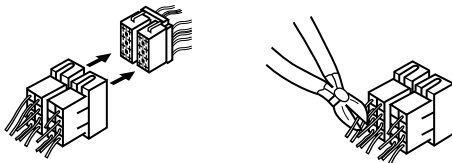
## Connection

### Connection diagram



### Using the ISO Connector

1. If your car is equipped with the ISO connector, then connect the ISO connectors as illustrated.




2. For connections without the ISO connectors, check the wiring in the vehicle carefully before connecting, incorrect connection may cause serious damage to this unit.

Cut the connector, connect the colored leads of the power cord to the car battery as shown in the colour code table below for speaker and power cable connections.

## Installation/Connection

Location	Function	
	Connector A	Connector B
1		Rear Right(+)--Violet
2		Rear Right(--Violet/Black
3		Front Right(+)--Grey
4	Battery 12V (+)/yellow	Front Right(--Grey/Black
5	Antenna control/blue	Front Left(+)--White
6		Front Left(--White/Black
7	ACC+/red	Rear Left(+)--Green
8	Ground/black	Rear Left(--Green/Black

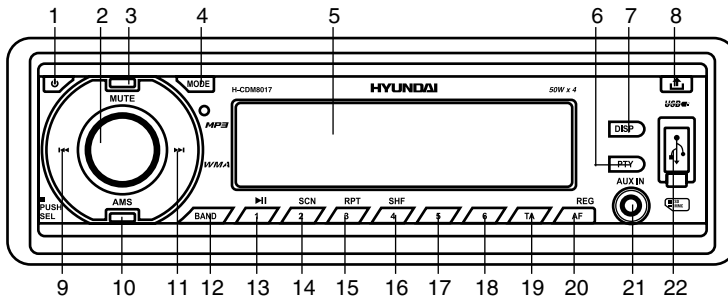
 Power antenna wire is intended for power supply of the antenna and for remote control of an additional amplifier.

# Operation

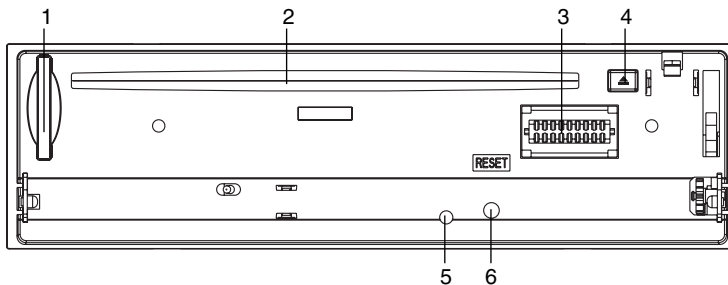
## Control elements

### Front panel

1. POWER button
2. VOLUME knob/SEL button
3. MUTE button
4. MODE button
5. Display
6. PTY button
7. DISP button
8. OPEN button
9. PREV button
10. AMS button
11. NEXT button
12. BAND button
13. 1/PLAY/PAUSE button
14. 2/SCN button
15. 3/RPT button
16. 4/SHF button
17. 5 button
18. 6 button
19. TA button
20. REG/AF button
21. AUX IN jack
22. USB slot



### Inner panel



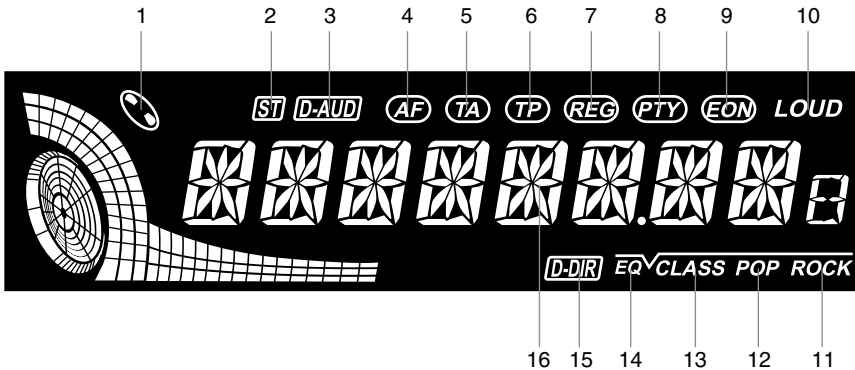
1. SD/MMC memory card slot
2. Disc slot
3. Connector
4. EJECT button
5. Panel status indicator
6. RESET button (hole)

 Pressing RESET hole will erase the clock setting and stored stations.

Panel status indicator lights up when you slide the panel down, flashes when you remove the panel.



## LCD layout



1. Disc loading indicator
2. Stereo reception indicator
3. MP3/WMA file playing indicator
4. AF function indicator
5. TA function indicator
6. TP function indicator
7. REG function indicator
8. PTY function indicator
9. EON function indicator

10. Loudness mode indicator
11. ROCK equalizer mode
12. POP equalizer mode
13. CLASS equalizer mode
14. Equalizer ON indicator
15. Folder name on
16. Digit display (radio frequency, track name/number, etc.)

# Operation

## General operations

### Turning on/off

Press any button (except OPEN) or insert disc to switch the unit on. Press POWER button to switch the unit off.

### Volume control

Rotate VOL knob on the front panel to adjust volume level.

### Audio parameter setting

Press SEL button shortly and repeatedly to select a mode: VOL (volume) => BAS (bass) => TRB (treble) => BAL L-R (balance) => FAD F-R (fader). Rotate VOL knob to adjust each mode.

**Caution:** In each mode, the waiting time is several seconds, and when the waiting time is over, it returns to the last display mode of radio or disc playback mode.

### Mode selection

Press MODE button to choose a sound source: RADIO => AUX => CD => SD/MMC => USB.

### Mute function

Press MUTE button to disable the sound. Press the button again or adjust the volume to resume the sound output.

### Equalizer

Press and hold MUTE button repeatedly to select an equalizer mode: FLAT - CLASSICS - POP - ROCK - OFF.


### Loudness control

Press and hold BAND button; LOUD ON will be displayed meaning that bass output emphasize function is activated. To deactivate the function press and hold the button again.

### Information display

Press DISP button to operate as the conversion of each display mode as follows:


- In case of receiving a RDS station  
In radio mode: PS -> CT -> FREQ -> P TY  
In CD mode: CD -> CT -> (ID3 TAG) -> PS  
-> FREQ -> PTY

 In case of not receiving CT or PTY information, the display shows as "NO CLOCK" or "NO PTY".

- In case of receiving a non RDS station  
In radio mode: "NO CLOCK" -> FREQ-> "NO PTY"

In CD mode: CD -> "NO CLOCK" -> FREQ  
-> "NO PTY"

Each displaying time is several seconds, and come back to 1'st position after several seconds.

 CT = clock time; FREQ = frequency.

### BEEP function

Press and hold SEL button; then press it repeatedly until BEEP OFF (BEEP ALL/BEEP 2ND) is displayed. Rotate VOL knob to select one of the following:


BEEP OFF – beep sound is not heard when a button is pressed

BEEP ALL – beep sound is heard when a button is pressed

BEEP 2ND – beep sound is not heard only when a button is pressed and held.

### TEL mute

The audio system automatically mutes whenever a call comes in.

 This function will not work if a cable is not connected to the car phone.

- When a call comes in. When a call is received, "TEL CALL" is displayed and all the unit functions are temporarily interrupted.

- When the call ends, hang up the phone; "TEL CALL" disappears from the display. The original source (used before the phone call) is returned automatically and the volume restored gradually.

### Reset function

RESET button is pressed with either a ballpoint pen or thin metal object. RESET function is to be activated for the following reasons:

- Initial installation of the unit when all wiring

is completed.

- All the function buttons do not operate.
- Error symbol on the display.

## AUX in jack

AUX-in jack is intended for connecting an external audio or video equipment to amplify the sound. If connection is made correctly, the audio signal from the external source will be translated through the acoustics of the head unit. This enables to adjust the volume and quality of the sounding. For example, you can connect an MP3-player to listen to tracks using the car acoustic system.

## Radio operations

### BAND selection

Press repeatedly BAND button to select your desired radio band in radio mode: FM1, FM2, FM3, MW. Each band can store 6 preset stations, for a total of 24 preset memory stations.

### Tuning

Press PREV or NEXT button; the unit will automatically search a nearest station with a strong signal. To search next station repeat this procedure. To stop the automatical search, press PREV or NEXT button.

Press and hold PREV or NEXT button to activate manual search mode. Press PREV/NEXT buttons to search for a station manually (MANUAL will be displayed). If you don't press any button within several seconds, the unit will return to auto search mode.

### Automatic store/Scan

- Automatic store: Press and hold AMS button, the receiver will automatically scan and save stations for the current band.
- Scan: Press AMS button once to scan the saved stations in each band.

### Programming stations

There are six numbered preset buttons,

under which you can store and recall stations for each band. Select the needed station, then press and hold a preset button. The station will be saved in the memory under the corresponding number. To recall a stored station, press the corresponding preset button.

### RDS function

RDS (Radio Data System) service availability varies with areas. Please understand if RDS service is not available in you area, the following service is not available, either.

### AF (Alternative Frequencies) function

Press REG/AF button to turn the AF function on or off.

When the radio signal strength is poor, enabling the AF function will allow the unit to automatically search another station with the same PI (Program Identification) as the current station but with stronger signal strength, so that you do not have to retune the stations when driving between different transmitter coverage areas. When AF symbol is on, it means RDS information is received; when AF symbol is flashing, it means RDS information is not yet received.

PS (Program Service name): the name of station will be display instead of frequency.

If RDS service is not available in your area, turn off the AF mode. Default setting is ON.

Program name is displayed on receiving a RDS station. "ALARM" will be displayed when an emergency broadcasting is received; meanwhile sound output level will be adjusted to the preset output level automatically when the volume control is set at minimum.

### REGIONAL ON/OFF mode

Press and hold REG/AF button, REGION ON/OFF mode is selected.

REG ON: AF switching or PI SEEK is implemented to the station which have all PI codes are same as current station (PI CODE is checked when AF CHECK in progress)

REG OFF: The regional code in the format

# Operation

of PI code is ignored when AF switching or PI SEEK is implemented. (PI CODE and COVERAGE AREA is not checked when AF CHECK in progress)

## TA (Traffic Alarm) function

Press TA button to turn TA function on or off.

In TA mode traffic program will be automatically searched, until the program is received. When traffic announcement is received the unit will temporarily switch to the tuner mode (regardless of the current mode) and begin broadcasting the announcement. After the traffic announcement is over, it will return to the previous mode and volume level. To interrupt traffic announcement press TA button shortly; it will not switch off the TA mode.

## PTY (Program Type)

This radio will allow you to select the type of program required, and will search for a station broadcasting that type of program.

Press PTY button to show the music type. Then press 1 - 6 number buttons to choose different music programs available.

Press PTY button twice to show the speech type program. Then press 1 - 6 number buttons to choose different speech programs. Each number button will show 3 different speech programs for you to choose (see table below).

Button	Music group	Speech group
1	Pop, Rock	News, Affairs, Info
2	Easy, Light	Sport, Educate, Drama
3	Classics	Culture, Science, Varied
4	Jazz, Country	Weather, Finance, Children
5	Nation, Oldies	Social, Religion, Phone IN
6	Folk	Travel, Leisure, Document

When PTY is selected, the radio starts to search corresponding PTY information, and stops if the corresponding PTY information is detected. If no buttons are pressed within several seconds, previously selected PTY is searched. During 1 loop, if desired PTY is not found, the unit will return to previous mode. Press PTY button for the 3rd time to switch the PTY function off.

## Local/distant stations

Press TA button for several seconds, to select EON TA LOCAL/EON TA DISTANCE mode. If you want to receive information from local stations only, select EON TA LOCAL mode. Otherwise, select EON TA DISTANCE mode.

## Other parameter setting

To choose the corresponding parameter, press and hold SEL button, then press it repeatedly until the display shows the needed parameter. Turn VOL knob to choose the needed value. After choosing, please leave the unit idle to activate.

### TA SEEK/TA ALARM

When newly tuned station does not receive TP information for 5 seconds, the radio retunes to next station which has not the same station (PI – Program Information) as the last station, but has the TP information. When TP information gets lost at the current station for retune time which is set by RETUNE SHORT (30 seconds) or RETUNE LONG (90 seconds), the radio starts to retune to next same PI station. When same PI station does not catch in 1 cyclic search, the radio retunes to next station with TP information. In TA SEEK mode, the unit will seek for traffic announcement program when TA button is pressed; in TA ALARM the unit does not retune to TA information.

### PI SOUND/MUTE

Choose PI sound or mute. PI sound refers to the reception noise when the AF function tries to scan alternative frequency.

### RETUNE S/L - SHORT/LONG

“RETUNE” refers to the time period the unit allows for radio scan when reception is

interrupted. “S” represents a short time period of 30 seconds, and “L” represents a long time period of 90 seconds.

## MASK DPI/MASK ALL

During AF search, PI stations and non-RDS (Radio Data Station) stations with strong signal will be masked, in the latter case, the non-RDS stations may cause interference, resulting the real AF to be masked due to the misjudgment of the radio under interference. Rotate the VOL knob to select the desired mode: MASK DPI and MASK ALL. During MASK DPI mode, the unit will mask only the AF which has different PI, this is the default mode; during MASK ALL mode, the unit will mask the AF which has different PI and no RDS signal with high field strength.

## Disc operations

### Insert/Eject disc

- Press OPEN button to open the front panel. Insert the disc into the slot with the printed side facing upward into the slot. The CD will play automatically. Close the front panel.
- Open the front panel and press EJECT button to eject the disc. If the disc is not removed from the slot within 10 seconds, it will automatically be loaded into the slot again. When the disc is ejected and removed, the unit will automatically switch to radio mode.

### Pausing playback

To ensure good system performance, wait until the unit finishes reading the disc information before proceeding. Press 1/PLAY/PAUSE button to pause the playback. Press again to resume the playback.

### Playing the previous/next track

During playback press NEXT or PREV button to play next or previous track correspondingly.

### Fast forward/backward playback

Press and hold NEXT or PREV button to fast

forward or reverse correspondingly. Release the button when the desired location is found.

### Folder selection

Press 6 button to go to the next folder. Press 5 button to go to the previous folder (only for MP3 discs containing folders).

### Intro playback

You can play the beginning of every track for several seconds in sequence. Press 2/SCN button to start intro play. Press again to cancel.

### Repeat playback

During disc playback, press 3/RPT button to repeat the current track playback. Press again to cancel.

### Random playback

During disc playback, press 4/SHF button to start random playback of the tracks. Press again to cancel.

### Searching file/directory

Press AMS button repeatedly to cycle through the following search modes: Searching by track number => Searching by directory or file name => Searching from root directory=> Searching from current directory.

#### Searching by track number

Press button AMS button once to enter “Searching by track number” mode. The track number will blink on the display. Rotate VOL knob to select the track number. Press BAND button to confirm the selection and play the selected song.

Also, after pressing AMS button you can directly input the number of the needed track pressing the buttons according to the below table:

Button	Number
1/PLAY/PAUSE	1
2/SCN	2
3/RPT	3

# Operation

4/SHF	4
5	5
6	6
MODE or PTY	7
PREV or TA	8
NEXT or AF	9
DISP or POWER	0

After inputting the track number, press BAND button to start playback.

### Searching directory or file name

Press AMS button twice to enter "Searching directory or file name" mode. In this search mode, to input characters you can rotate VOL knob or press corresponding buttons listed on the table below:

Button	Character
1/PLAY/PAUSE	A, B, C, 1
2/SCN	D, E, F, 2
3/RPT	G, H, I, 3
4/SHF	J, K, L, 4
5	M, N, O, 5
6	P, Q, R, 6
MODE or PTY	S, T, U, 7
PREV or TA	V, W, X, 8
NEXT or AF	Y, Z, space, 9
DISP or POWER	→, ←, +, 0

Press SEL button to confirm entry of each character. Press BAND button to search the title. If inputted directory or file name does not exist, "NOT FOUND" is shown on the display.

You can rotate VOL knob to list all songs under the current directory and select the title. Press BAND button to confirm and start playback. Repeat the above steps if the selected title is a directory.

### Searching from root directory

Press AMS button thrice to enter "Searching from root directory" mode.

Rotate VOL knob to browse file or directory in the root directory. Press BAND button to confirm and start playback if the selected title is a file. If the selected title is a directory, the display will show "ROOT". Rotate VOL knob to list all the files, then press BAND button to play the selected file. Repeat the above steps if the selected title is a directory.

### Searching from current directory

Press AMS four times to enter "Searching from current directory" mode.

Rotate VOL knob to browse file or directory in current directory. Press SEL button to confirm. Rotate VOL knob to list all files, then press BAND button to play the selected file. Repeat above steps if the selected title is a directory.

## Mixed CD operations

The unit can play the mixed-CD disc (when disc contains both CD audio tracks and MP3/WMA files).

When you insert a mixed-CD disc into the CD slot, it starts to play the CD audio tracks.

If you want to play MP3/WMA files, press 5 button or 6 button, it will search the disc over and start to play the MP3 files.

If you want to return to CD mode, press 5 button or 6 button, it will search the disc over and start to play the CD audio track.

## Notes on MP3 and WMA

- MP3 is short for MPEG Audio Layer 3 and refers to an audio compression technology standard.
  - This product allows playback of MP3 files on CD-ROM, CD-R or CD-RW discs.
  - The unit can read MP3 files written in the format compliant with ISO 9660. However it does not support the MP3 data written by the method of packet write.
  - The unit can not read an MP3 file that has a file extension other than ".mp3".
  - If you play a non- MP3 file that has the ".mp3" extension, you may hear some noise.
  - In this manual, we refer to what are called

“MP3 file” and “folder” in PC terminology as “track” and “album”, respectively.

- Maximum number of directory level is 8, including the root directory. Maximum number of files and folders per disc is 256.

- The unit may not play tracks in the order of Track numbers.

- The unit plays only the audio tracks if a disc contains both audio tracks and MP3 files.

- When playing a disc of 8 kbps or “VBR”, the elapsed playing time in the display window will not be correct and also the intro play may not function properly. “VBR”: Variable Bit Rate.

- The unit supports the playback of WMA files. The playback of ID3 tags for WMA format is not guaranteed, it depends on versions and availability of Cyrillic alphabet.

- WMA (Windows Media Audio) – music data compression format, created by Microsoft Corporation. This format uses coding algorithm for compression of initial audio-record, greatly decreasing the file size, but, saving the good sound quality even when the bit rate is low (for example, 64 Kbit/s).

- Remember that the unit may not play the tracks in order they are written on disc.

### Notes on creating your own CD-Rs or CD-RWs containing MP3 files

- To enjoy high quality sound, we recommend converting to MP3 files with a sampling frequency of 44.1 kHz and a fixed bit rate of 128 kbps.

- Do not store more than 256 MP3 files per disc.

- For ISO 9660 - compliant format, the maximum allowable depth of nested folders is 8, including the root directory (folder).

- When CD-R disc is used, playback is possible only for discs, which have been finalized.

- Make sure that when MP3 CD-R or CD-RW is burned that it is formatted as a data disc and not as an audio disc.

- You should not write non-MP3 files or unneeded folders along with MP3 files on the disc otherwise it takes a long time until the unit

starts to play MP3 files.

- With some CD-R or CD-RW media, data may not be properly written depending on their manufacturing quality. In this case, data may not be reproduced correctly. High quality CD-R or CD-RW disc is recommended.

- Up to 16 characters are displayed for the name of an Album or a Track. ID3TAG version 1.x is required.

- Note that the unit may not play tracks in the order that you wrote them to the disc.

## USB/SD/MMC operation

### USB/SD/MMC notes

USB functions (flash memory type) MP3 music play.

SD/MMC card support, 2in1 (SD/MMC) support.

USB flash memory.

FAT 12/ FAT 16/ FAT 32 is possible

- FAT 12/16 (dir: 200 support, file: 500 support),


- FAT 32 (dir: 200 support, file: 500 support).

- Filename: 32 byte/ Dir name: 32 byte.

- Tag (id3tag ver2.0).

- Title/ Artist/ Album: 32 byte support.

Multi card reader not support. USB 2.0 support.

 USB format supports 2.0. Capacity: up to 2 Gb.


For correct and satisfactory operation, licensed SD/MMC memory cards of famous brands should be used with this unit. Avoid using memory cards of unknown brands. Capacity: up to 2 Gb.

### Memory card operation

Take the front panel off, you will see the card slot. When you insert a SD/MMC card into the memory card slot, the unit will read the SD/MMC card automatically. The unit gives first priority to the latter. If insert a disc into the disc slot while reading the SD/MMC card, the unit will play the disc. You can press MODE button

# Operation


to select SD/MMC mode.

 • The operations of the MP3 file in the SD/MMC memory card is the same as the MP3 operation described in the MP3/WMA disc part.

- When reading the memory card, please don't touch or take out the card.
- If unit can't read the card, please check if the card is in good condition, or take out the card then insert it into the card slot once more.

## USB device operation

When you insert a USB flash memory in the slot, the unit will search the MP3 files and start to play them automatically. The unit gives priority to the latter. After inserting a disc into the disc slot while reading the USB flash memory, the unit will play the disc. You can press MODE button to select USB mode.

 • The operations of the MP3 file in the USB flash memory is the same as the MP3 operation described in the MP3/WMA disc part.

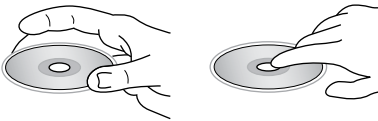
- When reading the USB flash memory, please don't touch or take it out.
- If unit can't read the USB flash memory, please check if the USB flash memory is in good condition, or take out the USB flash memory then insert it into the USB slot once more.
- The main unit can only support the standard USB flash memory.
- USB MP3 player is not a standard which means different brand name or different models have their own standard. So our product cannot support all MP3 players.
- When connecting an MP3 player and there has normal battery in the player (non rechargeable battery), you should remove the battery from the MP3 player then connect it to the USB port. Otherwise, it may cause battery burst.



## Handling compact discs

### Handling discs

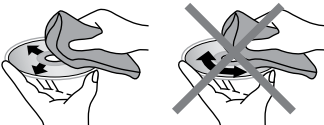
- Do not insert anything other than a CD into the CD loading slot.
- Do not use cracked, chipped, warped, or otherwise damaged discs as they may cause skipping or noise damage the player.
- Handle the disc only by the edges (as shown in the picture). To keep discs clean do not touch its surface.
- Store discs in their cases when not in use.
- Do not expose discs to direct sunlight, high humidity, high temperature or dust.
- Prolonged exposure to extreme temperature (such as leaving the discs in your car during summertime) can wrap a disc.
  - Do not attach labels, write on or apply chemicals to the surface of the discs.
  - Do not touch the recorded surface of the discs.
  - Use 12-cm CDs. Use only conventional, fully circular discs. Do not use shaped discs.



### Cleaning discs

Fingerprints should be carefully wiped from the surface of disc with a soft cloth. Unlike conventional records, compact discs have no grooves to collect dust and macroscopic dirt, so gently wiping them with a soft cloth should remove most particles. Wipe in a straight motion from the center to the edge.

Never use thinner benzine, record cleaner or anti static spray on a compact disc. Such chemicals can damage its plastic surface.



## Cleaning the unit body

Wipe with a soft cloth. If the cabinet is very dampen (not dropping wet) the cloth with a weak solution of soapy water, and then wipe clean.

## Accessories

1. Receiver ..... 1 pc
2. Front panel ..... 1 pc
3. Protective case ..... 1 pc
4. ISO connector ..... 1 pc
5. Mounting parts:
  - Nut 5 mm ..... 1 pc
  - Spring washer ..... 2 pcs
  - Plain washer ..... 2 pcs
  - Screw M5x25 mm ..... 1 pc
  - Screw ..... 1 pc
  - Metal strap ..... 1 pc
  - Release key ..... 2 pcs
  - Mounting collar ..... 1 pc
  - Trim frame ..... 1 pc
6. Instruction manual ..... 1 pc
7. Warranty card ..... 1 pc
8. Consumer information ..... 1 pc

## General information

### Troubleshooting

Below is a table describing simple measures that can help you eliminate most problems likely to emerge when this unit is in use. If below measures do not help, turn to a service center.

Symptom	Cause	Solution
No power	The car ignition is not on.	If the power supply is properly connected to the car accessory switch the ignition key to "ACC".
	The fuse is blown.	Replace the fuse.
No sound	Volume is in minimum.	Adjust volume to a desired level.
	Wiring is not properly connected.	Check wiring connection.
Bad sound quality	The installation angle is more than 30 degrees.	Adjust the installation angle to less than 30 degrees.
	The disc is extremely dirty or defective.	Clean the compact disc/try to play a new one.
Disc cannot be loaded or ejected	The unit already contains a disc.	Remove the disc in the player then put a new one.
	Moisture condensation.	Leave the unit idle for an hour, then retry.
Disc cannot be read	The disc is inserted upside down.	Insert the compact disc with the label side facing upward.
	Compact disc is extremely dirty or defective.	Clean the disc or try to play a new one.
	Temperature inside the car is too high.	Cool off until the ambient temperature returns to normal.
Buttons do not work	The built-in microcomputer is not operating properly.	Reset the unit with the help of RESET button.
	Front panel is not properly fix into its place.	Install the front panel properly.
The radio does not work	The antenna cable is not connected.	Insert the antenna cable properly.
The radio station automatic tuning does not work	The signals are too weak.	Select stations manually.

## General information

The display shows an error message (ERROR 1 – 11) one time.	Possible disc error.	Reset the unit by pressing RESET hole. Ensure the disc is inserted correctly into the slot. Clean or change the disc.
The display shows an error message (ERROR 1 – 11) repeatedly.	Unit operation error.	Turn to a service center.

## Specifications

### General

Power supply	12 V DC
Current consumption	max. 15 A
Maximum power output	50Wx4 channels
Fuse	15A
Dimensions (L x W x H)/Weight	178 x 51 x 163 mm/1.6 kg
Temperature range	-20°C - +60°C
ESP	40 sec. for CD, 120 sec. for MP3, 300 sec. for WMA
Mounting angle	0 - +/-30°

### FM stereo radio

Frequency range	87.5 - 108.0 MHz
Presetable stations	18
Stereo separation	25 dB (1 kHz)

### MW Section

Frequency range	522 kHz-1620 kHz
Presetable stations	6

### Disc player

Disc support	CD/CD-R/CD-RW/USB/SD/MMC
Format support	CDDA/MP3/WMA
Frequency response	30 Hz-18 KHz
Signal to noise CD	55 dB (1kHz)
Line output	4 channel RCA line-out (2 V)

Specifications are subject to change without notice. Dimensions are approximate.

# Содержание

## Уважаемый покупатель!

Благодарим Вас за покупку нашего изделия. Чтобы понять, как правильно и безопасно пользоваться Вашей моделью изделия, рекомендуется тщательно изучить настоящее руководство перед подключением, регулировкой и эксплуатацией изделия. Сохраняйте руководство для использования в будущем.

<b>Содержание</b> .....	19	Выбор диапазона радио .....	31
<b>Перед началом эксплуатации</b> .....	20	Настройка радио .....	31
Утилизация изделия .....	20	Автосохранение/сканирование .....	31
Меры предосторожности .....	20	Сохранение и вызов станций .....	31
<b>Установка/Подключение</b> .....	22	Сервис RDS .....	31
Установка .....	22	Функция AF (альтернативные частоты) ..	31
Общая информация .....	22	Режим Regional .....	32
Установка устройства в приборную		Функция TA .....	32
панель .....	22	ФункцияPTY (тип программы) .....	32
Установка в приборную панель		Местные/удаленные радиостанции ....	33
(Метод А) .....	22	Дополнительные функции .....	33
Установка декоративной рамки .....	23	Воспроизведение дисков .....	34
Установка в приборную панель		Загрузка/извлечение диска .....	34
(Метод Б) .....	23	Воспроизведение/пауза .....	34
Операции со съемной панелью .....	24	Выбор предыдущего/следующего трека	34
Система против кражи .....	24	Ускоренное воспроизведение вперед/	
Подключение .....	25	назад .....	34
Схема электрических соединений ....	25	Выбор папки .....	34
Использование разъема ISO .....	25	Обзорное воспроизведение .....	34
<b>Управление устройством</b> .....	27	Повторное воспроизведение .....	34
Элементы управления .....	27	Случайное воспроизведение .....	35
Передняя панель .....	27	Поиск файлов и папок .....	35
Внутренняя панель .....	28	Операции со смешанными дисками ...	36
Символы ЖК-дисплея .....	29	Примечания по MP3 и WMA .....	36
Основные операции .....	30	Примечание по созданию	
Включение/выключение устройства ...	30	собственных CD-R или CD-RW,	
Регулирование уровня громкости ....	30	содержащих файлы MP3 .....	37
Регулировка параметров аудио .....	30	ID3-теги .....	37
Выбор режима .....	30	Операции с USB/SD/MMC .....	37
Отключение звука .....	30	Загрузка карты памяти в устройство ...	37
Эквалайзер .....	30	Загрузка USB-накопителя в устройство	38
Тонкомпенсация .....	30	<b>Общая информация</b> .....	38
Отображение информации на дисплее		Обращение с компакт-дисками .....	38
Функция BEEP .....	30	Чистка дисков .....	38
Приглушение звука .....	30	Чистка корпуса устройства .....	39
Функция сброса .....	31	Комплект поставки .....	39
Вход AUX .....	31	Устранение неисправностей .....	39
Операции с радио .....	31	Технические характеристики .....	41

## Утилизация изделия

Если вы желаете утилизировать данное изделие, не выбрасывайте его вместе с обычным бытовым мусором. Существует отдельная система сбора использованных электронных изделий в соответствии с законодательством, которая предполагает соответствующее обращение, возврат и переработку.

Обращайтесь в органы местного управления за инструкциями по правильной утилизации продукта. Тем самым Вы обеспечите утилизацию Вашего изделия с соблюдением обязательных процедур по обработке, утилизации и вторичной переработке и, таким образом, предотвратите потенциальное негативное воздействие на окружающую среду и здоровье людей.

## Меры предосторожности

- Внимательно изучите данное руководство, чтобы ознакомиться с устройством.
- Держите данное руководство под рукой в качестве справочника по правилам эксплуатации и мерам предосторожности. Не допускайте к использованию устройства посторонних лиц, не ознакомившихся и не усвоивших инструкции по эксплуатации.
- **ЛАЗЕРНЫЙ ПРОДУКТ КЛАССА 1**  
Данное устройство оснащено лазерным диодом класса выше 1. Лазерные лучи, исходящие из блока оптической головки считывания информации с компакт-диска, опасны для глаз. В целях обеспечения полной безопасности не снимайте какие-либо крышки и не пытайтесь проникнуть внутрь устройства. Ремонт должен выполняться только квалифицированным специалистом.
- Не допускайте попадания жидкости на устройство. Это может повлечь за собой поражение электрическим током. Кроме того, попадание жидкости или пыли в устройство может стать причиной его выхода из строя, перегрева и появления дыма. Оберегайте устройство от воздействия влаги.
- Убедитесь, что внутрь устройства не попали посторонние предметы. Они могут вызвать сбой в работе или стать причиной возгорания или поражения лазерным лучом.

- Началом эксплуатации устройства считается момент его установки в автомобиль. Перед началом использования устройства в зимний период рекомендуется прогреть салон автомобиля в течение 20 минут или до достижения эксплуатационного диапазона температуры устройства.
- Использование устройства при температуре, выходящей за рамки эксплуатационного диапазона температур, значительно снижает ресурс работы экрана и других компонентов устройства и может привести к выходу устройства из строя.
- При установке и подключении устройства отключите отрицательную клемму аккумулятора автомобиля.
- Устройство разработано таким образом, чтобы отрицательный вывод аккумулятора был подключен к корпусу транспортного средства. Пожалуйста, убедитесь в этом перед установкой.
- При замене предохранителя, убедитесь, что вы устанавливаете предохранитель с тем же номиналом. Используя предохранитель с повышенным значением тока, можно причинить значительные повреждения устройству.
- Не позволяйте проводам динамиков соприкасаться друг с другом или с корпусом автомобиля после включения устройства. В противном случае усилитель может быть перегружен или выйти из строя.

## Перед началом эксплуатации

- Убедитесь, что источник питания и антенна отключены, если Вы не будете пользоваться устройством в течение длительного времени или во время грозы.
  - Убедитесь, что источник питания отключен, если обнаружена неправильная работа устройства, устройство издает нехарактерные звуки, запах, выделяет дым или внутрь его попала жидкость. В этих случаях необходим квалифицированный технический осмотр устройства.
    - Не устанавливайте уровень громкости, заглушающий внешние звуки дорожной обстановки и сигналы специального автотранспорта.
    - При неполадках в работе устройства свяжитесь с торговым представителем или с ближайшим сервисным пунктом.

## Установка

### Общая информация

- Перед окончательной установкой устройства временно подключите все провода и убедитесь, что все соединения выполнены верно, а устройство и система работают правильно.
- Для обеспечения правильной установки устройства используйте только те детали, которые входят в комплект. Использование других приспособлений может привести к появлению сбоев в работе устройства.
- Если для установки устройства необходимо сверлить отверстия в кузове автомобиля или вносить какие-либо другие изменения в его конструкцию, проконсультируйтесь с продавцом.
- Устанавливайте устройство там, где оно не будет закрывать водителю обзор и отвлекать его от дорожной обстановки и не сможет нанести травм пассажирам в случае внезапной остановки автомобиля, например, при экстренном торможении.
- Если при установке устройства угол относительно горизонтальной плоскости превышает 30°, рабочие характеристики проигрывателя могут быть не оптимальны.
- Никогда не устанавливайте устройство в таких местах, где оно будет подвергаться воздействию высокой температуры, например, в местах попадания прямых солнечных лучей, в местах выхода горячего воздуха от отопителя автомобиля, в местах, где очень грязно или пыльно, или там, где устройство будет подвергаться сильной вибрации.
- Перед установкой устройства обязательно снимите переднюю панель.

### Установка устройства в приборную панель

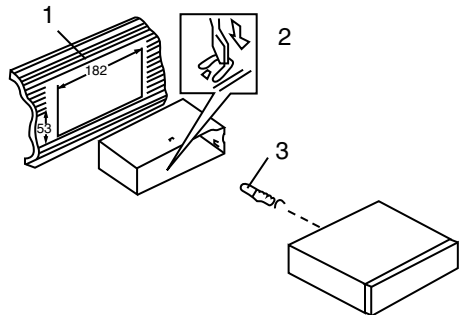
Данное устройство может быть установлено либо «спереди» (обычная установка стандарта DIN в приборную панель автомобиля), либо «сзади» (установка стандарта

DIN, при которой используются отверстия на боковых сторонах корпуса проигрывателя, имеющие резьбу под винты). Более подробно методы установки А и Б описываются ниже.

### Установка в приборную панель (Метод А)

Установка устройства

1. Приборная панель автомобиля
2. Монтажный кожух.
3. Винт
4. Гайка (5 мм)
5. Пружинная шайба
6. Винт (5 x 25 мм)
7. Опорная планка.
8. Плоская шайба



1. Установите монтажный кожух в приборную панель автомобиля, убедитесь, что он установлен правильной стороной и нет препятствий (провода, элементы приборной панели) для установки магнитолы.

2. После установки монтажного кожуха в приборную панель отогните на нем металлические язычки, соответствующие толщине приборной панели. Это позволит закрепить кожух на месте.

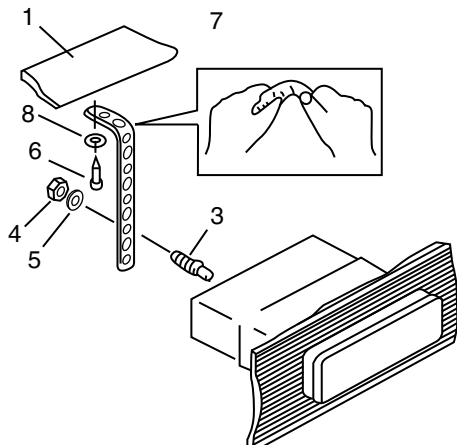
3. Обязательно используйте опорную планку для закрепления задней стороны проигрывателя. Определите место крепления и установите ее согласно приведенному рисунку. Планку можно согнуть руками под

## Установка/Подключение

нужным углом.

4. Подключите необходимые провода и разъемы. Убедитесь в правильности подключения.

5. Установите магнитолу в монтажный кожух до фиксации боковых защелок.

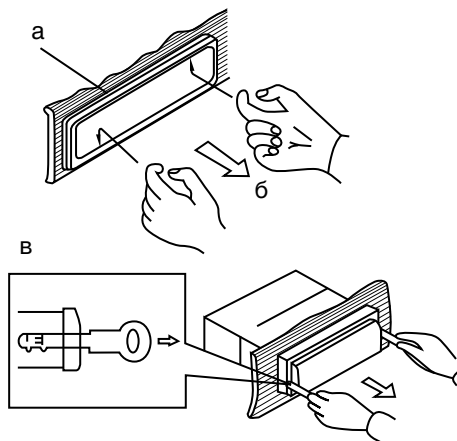


### Снятие устройства

а – Декоративная рамка

б – Направление снятия рамки

в – Установка ключей съемников



1. Выключите магнитолу и снимите переднюю панель.

2. Вставьте пальцы в канавку на передней стороне декоративной рамки (рамка снимается с небольшим усилием). Потяните рамку на себя, чтобы снять ее.

3. Вставьте входящие в комплект ключи-съемники с обеих сторон корпуса устройства, как показано на рисунке, до щелчка. Для того чтобы извлечь устройство из приборной панели, потяните за съемники или магнитолу и вытяните её на себя (перед снятием убедитесь, что магнитола не зафиксирована с опорной планкой).

### Установка декоративной рамки

Для установки декоративной рамки прижмите ее к корпусу устройства и нажмите, чтобы вставить на место. Это необходимо сделать до установки передней панели, иначе вы не сможете установить декоративную рамку на место (При установке рамки на место направьте сторону с канавкой вниз и закрепите ее.).

### Установка в приборную панель (Метод Б)

В данном случае установки используются отверстия для винтов на боковых сторонах устройства. Закрепите устройство с помощью штатных кронштейнов крепления радиоприемника.

1. Выберите такое положение, в котором отверстия для винтов на кронштейне (3) будут совмещены с отверстиями для винтов на корпусе устройства и вкрутите по два винта (2) с каждой стороны.

2. Винт.

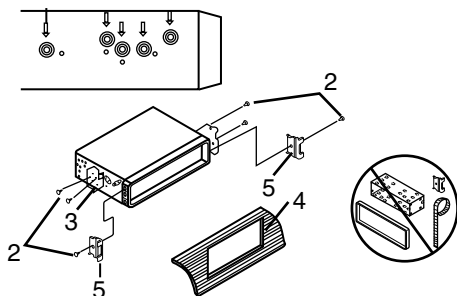
3. Монтажный кронштейн штатного радиоприемника.

4. Приборная панель или консоль автомобиля.

5. Защелка (снимите эту деталь).

При установке по методу Б монтажный кожух и внешняя декоративная рамка не используются.





переднюю панель можно отсоединить и поместить в защитный футляр, входящий в комплект поставки. Панель в футляре можно взять с собой, когда Вы покидаете автомобиль. Это позволяет избежать кражи панели.

Отключите питание устройства. Снимите переднюю панель и поместите ее в предохранительный футляр.

**!** Панель может повредиться из-за внешних факторов: тряски, ударов. После снятия ее с устройства держите панель в защитном футляре и старайтесь не ронять и не наносить физических повреждений.

Очень важным элементом является коннектор на задней части панели. Не нажимайте на него ногтями, ручками, отвертками.

**☞** Если панель загрязнилась или запылилась, протрите ее сухой чистой тканью. Для чистки разъема в задней части панели используйте тампон, смоченный изопропиловым спиртом.

### Операции со съемной панелью

Наденьте крепежное отверстие левой стороны панели на крепление в левой стороне ресивера. Затем поднимите панель и нажмите на середину панели до щелчка. Убедитесь в том, что панель плотно закреплена в ресивере, иначе на дисплее могут отобразиться символы ошибок или некоторые кнопки не будут функционировать.

Для отсоединения передней панели нажмите кнопку OPEN, затем извлеките сначала левую, потом правую сторону панели из крепления ресивера. Потяните панель на себя.

### Система против кражи

Если данное устройство не используется,

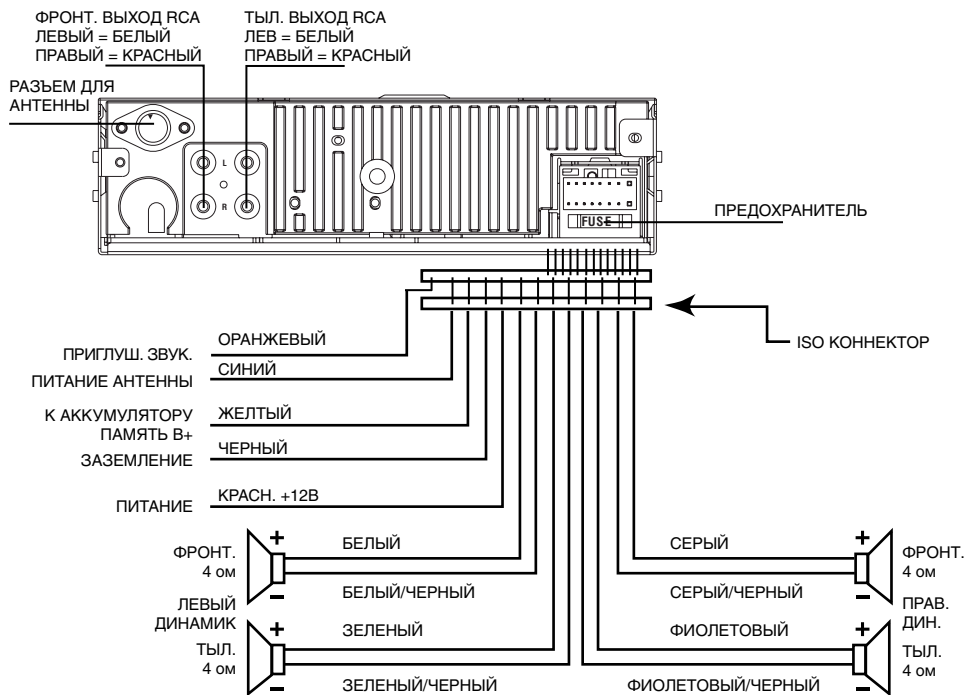
# Установка/Подключение

## Подключение

### Схема электрических соединений

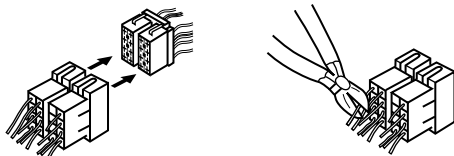
• Независимо от размера динамиков следует использовать динамики с сопротивлением 4 Ом.

• Не допускайте короткого замыкания проводов динамиков на корпус головного устройства или автомобиля.




## Использование разъема ISO

1. Если в Вашем автомобиле есть разъем ISO, произведите подключение, как показано на рисунке.



2. Для подключений без разъемов ISO внимательно проверьте все провода перед подключением, неправильное подключение может привести к повреждениям изделия. Обрежьте разъем, подключите цветные головки разъема к шнуру питания батареи в соответствии с приведенной таблицей.

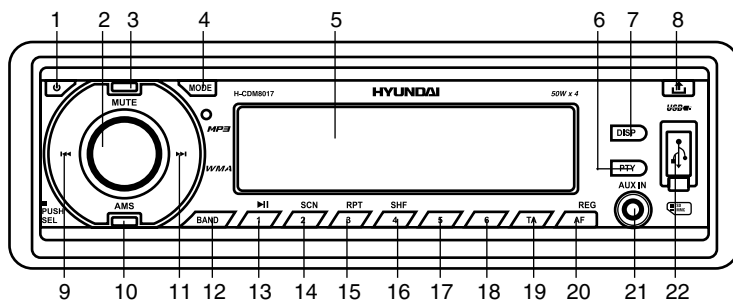
Номер	Функция	
	Разъем А	Разъем В
1		Тыловой правый(+)--Фиолетовый
2		Тыловой правый(-)--Фиолет./Черный
3		Фронтальный правый(+)--Серый
4	Питание 12В (+)/желтый	Фронтальн. правый(-)--Серый/Белый
5	Питание антенны/синий	Фронтальный левый(+)--Белый
6		Фронт. левый((-)--Белый/Черный
7	Зажигание/красный	Тыловой левый(+)--Зеленый
8	Земля/черный	Тыловой левый(-)--Зеленый/Черный

 Провод питания антенны предназначен для подачи питания на антенну и для удаленного управления дополнительным усилителем.

# Управление устройством

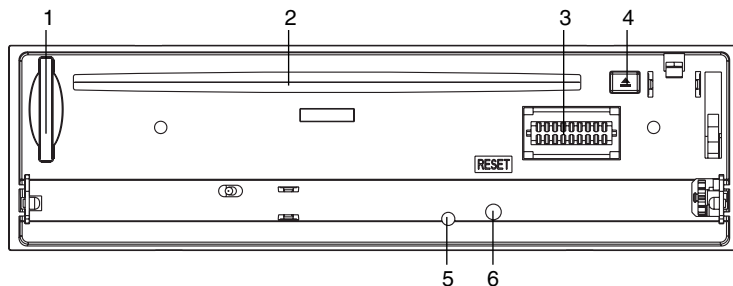
## Элементы управления

### Передняя панель



1. Кнопка POWER
2. Регулятор VOLUME/ Кнопка SEL
3. Кнопка MUTE
4. Кнопка MODE
5. Дисплей
6. Кнопка PTY
7. Кнопка DISP
8. Кнопка OPEN
9. Кнопка PREVIOUS
10. Кнопка AMS
11. Кнопка NEXT
12. Кнопка BAND
13. Кнопка 1/PLAY/PAUSE
14. Кнопка 2/SCN
15. Кнопка 3/RPT
16. Кнопка 4/SHF
17. Кнопка 5
18. Кнопка 6
19. Кнопка TA
20. Кнопка REG/AF
21. Разъем AUX IN
22. USB-порт

### Внутренняя панель

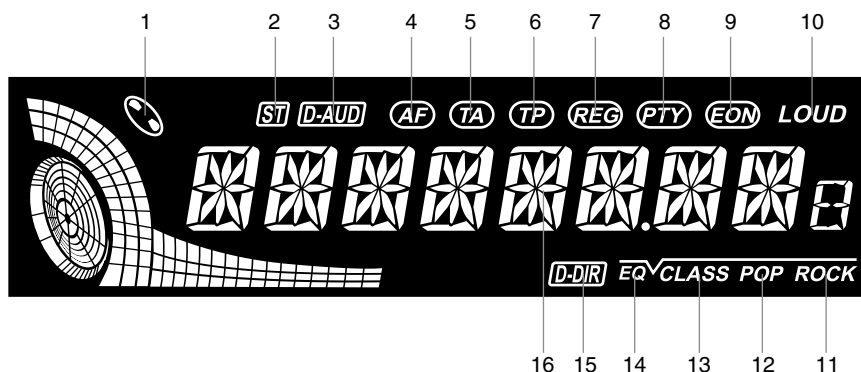


1. Slot для карт памяти SD/MMC
2. Slot для дисков
3. Коннектор
4. Кнопка EJECT
5. Индикатор состояния панели
6. Кнопка (отверстие) сброса RESET

При нажатии кнопки RESET все выполненные установки будут удалены из памяти устройства.

Индикатор состояния панели загорается, когда панель опущена, и мигает при снятии панели.

## Символы ЖК дисплея



1. Индикатор загрузки диска
3. Индикатор стерео приема сигнала
3. Индикатор воспроизведения MP3/WMA
4. Индикатор функции AF
5. Индикатор функции TA
6. Индикатор функции TP
7. Индикатор функции REG
8. Индикатор функции PTY
9. Индикатор функции EON

10. Индикатор тонкомпенсации
11. Режим эквалайзера ROCK
12. Режим эквалайзера POP
13. Режим эквалайзера CLASS
14. Индикатор работы эквалайзера
15. Имя палки
16. Цифровой дисплей (радио частота, имя/номер трека и т.д.)

# Управление устройством

## Основные операции

### Включение/выключение устройства


Нажмите любую кнопку (кроме кнопки OPEN) или вставьте диск в слот, чтобы включить устройство. Нажмите кнопку POWER, чтобы отключить питание устройства.

### Регулирование уровня громкости

Вращайте регулятор VOL, чтобы отрегулировать уровень громкости.

### Регулировка параметров аудио

Нажимайте кнопку SEL на передней панели, чтобы выбрать параметр: VOL (громкость) => BAS (низкие частоты) => TRB (высокие частоты) => BAL L-R (баланс левые/правые динамики) => FAD F-R (баланс задние/передние динамики). Вращайте регулятор VOL, чтобы отрегулировать каждый параметр.

 Каждая настройка отображается на дисплее в течение нескольких секунд. Если в течение этого времени ни одна кнопка не была нажата, дисплей вернется в обычный режим.

### Выбор режима

Нажимайте кнопку MODE, чтобы выбрать режим работы устройства: AUX => Радио => CDP (диск) => Карта памяти => USB.

### Отключение звука

Нажмите кнопку MUTE, чтобы отключить звук. Нажмите эту кнопку повторно или регулируйте громкость, чтобы включить звук.

### Эквалайзер

Нажимайте и удерживайте кнопку MUTE несколько раз для выбора режима эквалайзера: FLAT - CLASSICS - POP - ROCK - отключен.

### Тонкомпенсация

Нажмите и удерживайте кнопку BAND; на дисплее отобразится надпись LOUD ON,


означающая что функция компенсации низких и высоких частот включена. Данная функция полезна, если вы хотите уменьшить уровень звука без потери четкости звучания. Для отключения функции повторно нажмите и удерживайте эту кнопку.

### Отображение информации на дисплее

Нажимайте кнопку DISP; на дисплее будет отображаться информация:

В режиме радио: Текущее время -> информация РТУ -> текущая частота

В режиме диска: Текущее время -> ID3-тэг -> текущая частота -> информация РТУ -> номер и название текущего трека.

 В случае, когда информация о времени и РТУ-информация не принимаются, на дисплее отображается «NO CLOCK» и «NO РТУ» соответственно.

Отображение информации происходит в течение нескольких секунд.

### Функция BEEP (звуковой сигнал нажатия кнопки)

Нажмите и удерживайте кнопку SEL; затем нажимайте ее до отображения надписи BEEP OFF (BEEP ALL/BEEP 2ND). Вращайте регулятор VOL для выбора одного из следующих режимов:


BEEP OFF – нажатия кнопок не сопровождаются звуковым сигналом

BEEP ALL – любое нажатие кнопки сопровождается звуковым сигналом

BEEP 2ND – нажатие и удержание кнопки сопровождается звуковым сигналом.

### Приглушение звука

Звук аудио системы автоматически приглушается при наличии входящего звонка.

 Данная функция работает, только если устройство подключено к телефону.

- При входящем звонке на дисплее отображается «TEL CALL», и работа устройства временно прерывается.

- При завершении звонка надпись «TEL

CALL» пропадает с дисплея. Устройство возвращается в предыдущий режим работы; восстанавливается предыдущий уровень громкости.

## Функция сброса

Кнопку (отверстие) RESET следует нажимать тонким металлическим предметом (например, шариковой ручкой). Функция сброса используется в следующих случаях:

- Начало работы с устройством, после его подключения.
- Кнопки устройства не работают.
- На дисплее отображается символ ERROR (ошибка).

## Вход AUX in

Разъем AUX in предназначен для подключения внешнего аудио и видео устройства с целью усиления звука. В случае правильного подключения аудиосигнал от внешнего источника будет транслироваться через акустику головного устройства. Это дает возможность регулировать громкость и качество звучания. Например, Вы можете подключить MP3-проигрыватель для прослушивания аудиозаписей через акустику автомобиля.

## Операции с радио

### Выбор диапазона

Нажимайте кнопку BAND, чтобы выбрать диапазон в режиме радио: FM1, FM2, FM3, MW. В каждом диапазоне можно сохранить до 6 радиостанций, общее количество сохраняемых радиостанций составляет 24.

### Настройка радио

Нажмите кнопку PREV или NEXT; устройство автоматически осуществит поиск ближайшей станции с сильным сигналом. Для поиска следующих станций повторяйте эти действия. Чтобы остановить процесс автоматического поиска станции, нажмите

кнопку PREV или NEXT.

Нажмите и удерживайте кнопку PREV или NEXT, чтобы активировать режим ручного поиска станций. Нажимайте кнопки PREV/NEXT, чтобы выполнить настройку частоты вручную (на дисплее отобразится надпись MANUAL). Если в течение нескольких секунд Вы не нажимаете одну из этих кнопок, устройство вернется к режиму автоматического поиска.

## Автоматическое сохранение/сканирование

- Автоматическое сканирование и сохранение: Нажмите и удерживайте кнопку AMS; приемник автоматически выполнит сканирование диапазона и сохранит станции с сильным сигналом.
- Сканирование: Нажмите кнопку AMS, приемник выполнит сканирование сохраненных станций в каждом диапазоне.

## Сохранение и вызов радиостанций

На панели устройства есть 6 кнопок с цифрами, с помощью которых Вы можете сохранять и включать радиостанции в каждом диапазоне. Выберите нужную радиостанцию, затем нажмите и удерживайте кнопку с цифрой. Станция будет сохранена в памяти устройства под этой цифрой. Для вызова сохраненной станции нажмите соответствующую кнопку с цифрой.

## Сервис RDS

Сервис RDS (Система радио данных) доступен не во всех регионах. Имейте в виду, что если услуга RDS не доступна в Вашем регионе, то данная функция не будет работать.

## Функция AF (альтернативные частоты)

При слабом сигнале функция альтернативных частот позволяет приемнику настраиваться на другие станции с тем же идентификационным кодом, что и текущая станция, но с более сильным сигналом. При

этом вместо частоты на дисплее появится название станции.

Нажмите кнопку REG/AF, чтобы включить или выключить функцию AF. При включенном режиме AF радио постоянно проверяет силу сигнала альтернативных частот, на которых может транслироваться RDS программа. Если сигнал слабый или исчезает, приемник будет автоматически искать другую частоту с этой программой.

Если служба RDS не доступна в Вашей местности, выключите режим AF. По умолчанию функция включена.

Если символ AF отображается на дисплее статично, это означает, что режим AF активен и идет прием информации RDS. Если символ мигает, режим активен, но информация RDS отсутствует. Если символ AF не отображается, это означает, что режим AF отключен.

При приеме радиостанции с информацией RDS на дисплее отображается название этой станции. При поступлении сообщения о дорожном происшествии на дисплее отобразится надпись «ALARM»; если громкость установлена на минимум, на время вещания громкость увеличится до предустановленного значения.

### Режим REGIONAL

Нажмите и удерживайте кнопку REG/AF, чтобы включить режим REGIONAL. На дисплее будет отображаться символ REG.

REG ON (вкл): во время поиска AF и TA передач приемник будет настраиваться на те станции, PI-код которых совпадает с кодом текущей станции.

REG OFF (выкл): PI-код будет игнорироваться и будет возможен прием региональных станций.

### Функция TA (программы о дорожном движении)

В режиме радио нажмите кнопку TA для включения/отключения функции TA. Начнется автоматический поиск программ дорожного движения вне зависимости от

текущего режима.

Когда программа будет найдена, начнется ее трансляция. Чтобы прервать трансляцию, нажмите кнопку TA; устройство вернется к предыдущему режиму; это не повлечет за собой отключения функции TA. Когда программа закончится, устройство автоматически вернется к текущему режиму.

### ФункцияPTY (тип программы)

FM-станции, поддерживающие сервис RDS, передают идентифицирующий сигнал типа программы.

Нажмите кнопку PTY, чтобы выбрать категорию музыкальных программ. Затем нажимайте кнопки с цифрами 1-6, чтобы выбрать разные типы музыкальных программ.

Нажмите кнопку PTY дважды, чтобы выбрать категорию информационных программ. Затем нажмите кнопки с цифрами 1-6, чтобы выбрать нужный тип информационных программ.

Каждый номер содержит три разных информационных программы на выбор.

Button	Music group	Speech group
1	Pop, Rock	News, Affairs, Info
2	Easy, Light	Sport, Educate, Drama
3	Classics	Culture, Science, Varied
4	Jazz, Country	Weather, Finance, Children
5	Nation, Oldies	Social, Religion, Phone IN
6	Folk	Travel, Leisure, Document



Кнопка	Музыкальные программы	Информационные программы
1	поп-музыка, рок-музыка	новости, текущая информация, общая информация и сообщения
2	легкая музыка, легкая классическая музыка	спортивные новости, образовательные программы, радиопостановки и сериалы
3	классическая музыка	культурные программы, наука и техника, развлекательные программы
4	джаз, музыка кантри	метеорологическая информация, коммерция, торговля
5	национальная музыка, ретро музыка	социальные новости, религиозные программы, ток-шоу
6	народная музыка	программы для путешественников, хобби и развлечения, документальные программы

При включенной функцииPTY приемник начинает поиск соответствующего типа программы; поиск останавливается, когда программа найдена. Если в течение нескольких секунд ни одна программа не была выбрана, приемник настроится на

предыдущую программу. Если за один цикл нужный тип программы не найден, приемник вернется к текущему режиму.

## Местные/удаленные радиостанции

Нажмите и удерживайте кнопку TA для активации режима EON TA LO или EON TA DX. На дисплее отобразится соответствующая надпись.

EON TA LOCAL (дорожные сообщения местных радиостанций): Если уровень мощности сигнала радиостанции из другой сети вещания меньше определенного порогового уровня, радиоприемник не переключается на эту станцию и пользователь не услышит никаких искажений.

EON TA DISTANCE (дорожные сообщения удаленных радиостанций): Переключение на радиостанцию из другой сети вещания, которая передает сообщения о дорожном движении (EON TA), осуществляется на основе информации текущей радиостанции.

## Дополнительные функции

Нажимайте и удерживайте кнопку SEL до отображения на дисплее нужной функции. Вращайте регулятор VOL, чтобы выбрать нужную опцию. После осуществления выбора несколько секунд не нажимайте никаких кнопок, чтобы активировать изменения.

### Функция TA SEEK/TA ALARM

Если радиоприемник настраивается на радиостанцию, которая не передает информацию TP (Traffic Program – программы с информацией о дорожном движении) в течение определенного времени (RETUNE), радиоприемник перенастраивается на следующую станцию, которая не имеет тот же PI (код идентификации программы), что и предыдущая радиостанция, но передает информацию TP. В режиме TA SEEK устройство выполнит поиск программ о дорожном движении при нажатии кнопки TA;

TA ALARM: когда выбран данный режим, функция автоматической перенастройки радиоприемника не работает. Вместо этого радиоприемник включает звуковое опо-

вещание.

## Функция PI SOUND/PI MUTE

**PI SOUND:** Если автомобиль перемещается в критической зоне, может появиться эффект частого переключения между двумя разными радиостанциями, потому что может быть принят другой код PI на той же частоте. Когда в описанной выше ситуации произойдет переключение на другую радиостанцию с другим кодом PI, в течение короткого времени будет слышна трансляция данной радиостанции.

**PI MUTE:** В описанном выше случае на короткое время звучание будет отключено.

## Функция RETUNE S/L (SHORT/LONG)

«RETUNE» означает временной интервал прерывания радио сигнала для сканирования. «S» означает короткий интервал, составляющий 30 секунд; «L» означает длинный интервал, составляющий 90 секунд.

Режим Retune для режима TA активен только при выборе TA SEEK.

## Функция MASK DPI/MASK ALL

После включения режима AF (поиск альтернативных частот с той же программой), программа, которую Вы прослушиваете, может быть замещена другой программой, которая вещает на той же частоте. Чтобы этого избежать, активируйте функцию MASK DPI. В режиме MASK DPI устройство маскирует только альтернативные частоты с разными информационными программами. В режиме MASK ALL устройство маскирует и информационные программы, и станции, не поддерживающие RDS.

## Воспроизведение дисков

### **Загрузка/извлечение диска**

- Нажмите кнопку OPEN, чтобы открыть переднюю панель. Вставьте диск в слот маркированной стороной вверх. Воспроизведение диска начнется автоматически. Закройте панель.

- Откройте переднюю панель и на-

жмите кнопку EJECT, чтобы извлечь диск. Если диск не извлечен из слота в течение нескольких секунд, он автоматически загружается обратно в слот. Когда диск будет извлечен из слота, устройство автоматически переключится в режим радио.

### **Воспроизведение/Пауза**

Чтобы обеспечить высокое качество воспроизведения, дождитесь, пока плеер закончит читать диск. Нажмите кнопку 1/PLAY/PAUSE, чтобы приостановить воспроизведение. Нажмите кнопку еще раз, чтобы возобновить воспроизведение.

### **Переход к предыдущему или следующему треку**

Во время воспроизведения нажмите кнопку NEXT или PREV, чтобы перейти к следующему или предыдущему треку соответственно.

### **Ускоренное воспроизведение вперед или назад**

Во время воспроизведения нажимайте и удерживайте кнопку NEXT или PREV, чтобы начать ускоренное воспроизведение назад или вперед соответственно. Отпустите кнопку, когда нужный фрагмент будет найден.

### **Выбор папки**

Нажмите кнопку 6, чтобы перейти к следующей папке. Нажмите кнопку 5, чтобы перейти к предыдущей папке. (только для MP3 дисков, содержащих папки)

### **Обзорное воспроизведение**

Вы можете последовательно воспроизводить начало каждого трека в течение нескольких секунд. Во время воспроизведения треков нажмите кнопку 2/SCN, чтобы начать обзорное воспроизведение. Нажмите кнопку еще раз, чтобы отменить функцию.

### **Повторное воспроизведение**

Во время воспроизведения трека нажми-

те кнопку 3/RPT, чтобы начать его повторное воспроизведение. Нажмите кнопку еще раз, чтобы отменить функцию повтора.

## Воспроизведение в случайном порядке

Во время воспроизведения трека нажмите кнопку 4/SHF, чтобы начать случайное воспроизведение всех треков на диске. Нажмите кнопку еще раз, чтобы отменить функцию.

## Поиск файлов и папок (для MP3/WMA)

Нажимайте кнопку AMS для выбора одного из следующих режимов поиска: поиск по номеру трека => поиск по имени файла или папки => поиск в текущей папке => поиск в корневой папке.

### Поиск по номеру трека:

Нажмите кнопку AMS, чтобы включить режим поиска по номеру трека. На дисплее будет мигать номер трека. Вращайте регулятор VOL, чтобы выбрать номер трека. Для подтверждения выбора и начала воспроизведения нажмите кнопку BAND.

Также после нажатия кнопки AMS Вы можете ввести номер нужного трека, нажимая кнопки в соответствии со следующей таблицей:

Кнопка	Номер
1/PLAY/PAUSE	1
2/SCN	2
3/RPT	3
4/SHF	4
5	5
6	6
MODE или PTY	7
PREV или TA	8
NEXT или AF	9
DISP или POWER	0

После введения номера трека нажмите кнопку BAND для запуска воспроизведения.

### Поиск по имени файла или папки:

Нажмите дважды кнопку AMS, чтобы включить режим поиска по имени файла или папки. В данном режиме для введения имени трека или папки вращайте регулятор VOL или нажимайте кнопки, которым соответствуют символы, приведенные в таблице ниже:

Кнопка	Символ
1/PLAY/PAUSE	A, B, C, 1
2/SCN	D, E, F, 2
3/RPT	G, H, I, 3
4/SHF	J, K, L, 4
5	M, N, O, 5
6	P, Q, R, 6
MODE или PTY	S, T, U, 7
PREV или TA	V, W, X, 8
NEXT или AF	Y, Z, пробел, 9
DISP или POWER	_, -, +, 0

Нажимайте кнопку SEL для подтверждения каждого введенного символа. Для поиска имени нажмите кнопку BAND. Если введенного имени не существует, на дисплее отобразится надпись «NOT FOUND».

Если введенное имя является именем папки, то вращайте регулятор VOL для обзора перечня всех файлов в данной папке и выбора нужного файла. Для подтверждения выбора и начала воспроизведения нажмите кнопку BAND. Если выбранное имя является именем папки, повторите вышеуказанные действия.

### Поиск в корневой папке:

Нажмите трижды кнопку AMS, чтобы включить режим поиска в корневой папке.

Вращайте регулятор VOL для обзора файла или папки в корневой папке. Если выбранное имя является именем файла,

нажмите кнопку BAND для подтверждения и начала воспроизведения. Если выбранное имя является именем папки, на дисплее отобразится «ROOT». Вращайте регулятор VOL для обзора перечня всех файлов в данной папке и выбора нужного файла, затем нажмите кнопку BAND для воспроизведения выбранного файла. Если выбранное имя является именем папки, повторите вышеуказанные действия.

### Поиск в текущей папке:

Нажмите четыре раза кнопку AMS, чтобы включить режим поиска в текущей папке.

Вращайте регулятор VOL для обзора файла или папки в текущей папке. Нажмите кнопку SEL для подтверждения. Вращайте регулятор VOL для обзора перечня всех файлов в данной папке и выбора нужного файла, затем нажмите кнопку BAND для воспроизведения выбранного файла. Если выбранное имя является именем папки, повторите вышеуказанные действия.

### **Операции со смешанными дисками**

Устройство может воспроизводить смешанные диски (т.е. диски, содержащие как CD аудио треки, так и MP3/WMA файлы).

При загрузке смешанного диска в слот устройство начнет воспроизводить CD аудио треки.

Если Вам нужно воспроизведение MP3/WMA файлов, нажмите кнопку 5 или 6, устройство выполнит поиск на диске и воспроизведение MP3 файлов.

Если Вы хотите вернуться к воспроизведению CD треков, нажмите кнопки 5 или 6, устройство выполнит поиск на диске и воспроизведение CD аудио треков.

### **Примечания по MP3 и WMA**

- MP3 это краткое обозначение аудио слоя MPEG 3 и относится к стандарту технологии сжатия звука.

- Данное изделие позволяет воспроизводить файлы MP3 на дисках CD-ROM, CD-R или CD-RW.

- Изделие может считывать файлы MP3, записанные в формате, соответствующем ISO 9660. Однако оно не поддерживает данные MP3, записанные методом пакетной записи.

- Изделие не может считывать файлы MP3, которые имеют расширение файла, отличающееся от “.mp3”.

- Если вы воспроизводите не MP3 файл, который имеет расширение “.mp3”, вы можете слышать некоторые шумы.

- В данном руководстве рассматриваются файлы, называемые “файлами MP3” и “папкой”, а в технологии PC “дорожкой” и “альбомом” соответственно.

- Максимальное количество уровней директории равно 8, включая корневую директорию. Максимальное количество файлов и папок на диске 256.

- Изделие может не воспроизводить дорожки в последовательном порядке.

- Изделие воспроизводит только аудио треки, если диск содержит как аудио треки, так и файлы MP3.

- При воспроизведении диска 8 килобит или VBR, истекшее время воспроизведения в окне дисплея будет неправильным, а также ознакомительное воспроизведение может не действовать надлежащим образом. VBR: Переменная скорость передачи битов.

- Устройство поддерживает воспроизведение WMA файлов. Воспроизведение ID3 тегов для формата WMA не является гарантированным, так как это зависит от версий и наличия кириллицы.

- WMA (Windows Media Audio) – формат сжатия музыкальных данных, созданный Microsoft Corporation. Формат использует алгоритмы кодирования для сжатия исходной аудиозаписи, значительно уменьшая размеры файла, но, сохраняя хорошее качество звука даже при низких (например, 64 Кбит/сек) скоростях передачи данных (битрейтах).


- Помните, что устройство может не воспроизводить треки в том порядке, в котором они записаны на диске.

## Примечание по созданию собственных CD-R или CD-RW, содержащих файлы MP3

- Для получения высокого качества звука мы рекомендуем преобразовывать файлы MP3 с эталонной частотой 44,1 кГц и фиксированным битрейтом 128 кбит/сек. Не сохраняйте более 256 файлов MP3 на диске.
- Для формата, совместимого с ISO 9660, максимально допустимая глубина вложенных папок равняется 8, включая корневую директорию (папку).
- При использовании диска CD-R воспроизведение возможно только для дисков, на которых закрыта сессия. Убедитесь, что при записи MP3 CD-R или CD-RW были отформатированы как диски данных, а не как аудио диски.
- Не рекомендуется записывать не-MP3 файлы или ненужные папки вместе с файлами MP3 на диск, в противном случае потребуется много времени, пока изделие начнет воспроизводить файлы MP3.
- На некоторых CD-R или CD-RW данные могут быть записаны особым образом. В этом случае данные могут быть воспроизведены не надлежащим образом. Рекомендуются диски CD-R или CD-RW высокого качества.
- Имя альбома или композиции может содержать до 16 символов. Необходима версия 1.x ID3TAG.

### ID3-теги

Если MP3 файл содержит информацию ID3 на русском или английском языках, то такая информация будет отображаться на дисплее во время воспроизведения файла.

 Устройство может не поддерживать некоторые версии ID-3 тегов.

## Операции с USB-накопителями/картами памяти SD/MMC

### Примечания по USB/SD/MMC разъемам

Воспроизведение MP3 файлов с USB карт (флеш-память).

Поддержка карт памяти SD/MMC, 2в1 (SD/MMC).

Поддержка USB флеш-карты.

Поддержка FAT 12/ FAT 16/ FAT 32

- FAT 12/16 (поддержка 200 папок, 500 файлов),

- FAT 32 (поддержка 200 папок, 500 файлов).


- Имя файла: 32 байта/имя папки: 32 байта.

- Тэг (id3tag ver 2.0)

Имя/Исполнитель/Альбом: поддержка 32 байтов.

Многофункциональный карт-ридер не поддерживается.


Поддержка формата USB 2.0.

 USB: Поддержка формата USB 2.0. Емкость: до 2 Гб.

SD/MMC: Для корректной работы устройства используйте лицензионные карты памяти известных производителей. Избегайте использования нелегальных карт памяти. Емкость: до 2 Гб.

## Загрузка карты памяти в устройство

Снимите переднюю панель для доступа к слоту для карт памяти. После загрузки SD/MMC карты памяти в слот устройство начнет считывать информацию с карты автоматически. Устройство считывает информацию с последнего загруженного носителя. Т.о., если Вы вставите диск при загруженной SD/MMC карте, устройство начнет воспроизведение диска. В этом случае для переключения в режим SD/MMC нажимайте кнопку MODE.


 • Операции с файлами в режиме SD/MMC аналогичны операциям, описанным в главе «Операции с устройством» выше.

- Во время чтения устройством карты памяти не извлекайте ее из слота.

- Если устройство не читает карту памяти, проверьте ее исправность и попробуйте загрузить ее повторно.

## Загрузка USB-носителя в устройство

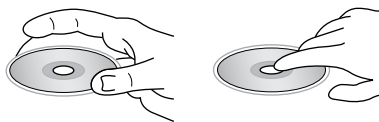
При загрузке USB-носителя в слот устройство начнет автоматически воспроизводить MP3 файлы. Устройство считывает информацию с последнего загруженного носителя. Т.о., если Вы вставите диск при загруженном USB-носителе, устройство начнет воспроизведение диска. В этом случае для переключения в режим USB нажмите кнопку MODE.

 • Операции с файлами в режиме USB аналогичны операциям, описанным в главе «Операции с дисками».

- Во время чтения устройством USB-носителя не извлекайте его из порта.
- Если устройство не читает USB-носитель, проверьте его исправность и попробуйте загрузить его повторно.
- Устройство поддерживает только стандартные USB-устройства.
- MP3 плееры могут иметь разные стандарты. Данное устройство может не поддерживать некоторые стандарты.
- При подключении к устройству MP3 плеера, не имеющего неперезаряжаемой батарейки, необходимо извлечь батарейку из плеера, и только затем подключить его к устройству. В противном случае может произойти взрыв батарейки.

## Обращение с компакт-дисками

- Не вставляйте в слот для загрузки компакт-диска ничего, кроме компакт-дисков.
- Не используйте диски с трещинами, отколотыми краями, деформированные диски или диски с другими повреждениями, поскольку такие диски могут вызвать искажение звука, шумы или повредить проигрыватель.
- Держите диск только за края (как показано на рисунке). Чтобы обеспечить чистоту диска, не прикасайтесь к его поверхности.
- Когда диски не используются, храните их в футлярах.
- Не подвергайте диски действию прямого солнечного света, повышенной влажности, повышенным температурам или действию пыли.
- Продолжительное влияние предельных температур (например, при пребывании дисков в автомобиле в летнее время) может деформировать диск.
- Не приклеивайте этикеток, не пишите и не наносите химических веществ на поверхность дисков.
- Не прикасайтесь к записанной поверхности дисков.
- Используйте только традиционные круглые диски диаметром 12 см. Не используйте диски необычной формы и нестандартного размера.

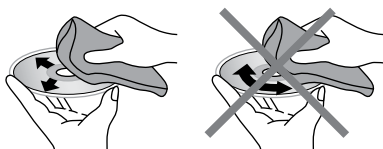


## Чистка дисков

Отпечатки пальцев должны быть тщательно стерты с поверхности диска мягкой тканью. В отличие от обычных пластинок, компакт-диски не имеют канавок для сбора пыли и микроскопических частиц грязи, поэтому осторожно вытирайте их мягкой тканью, чтобы удалить частицы грязи. Вытирайте прямолинейным движением от

центра к краю.

Не используйте растворитель, бензин, очиститель пластинок или антистатический аэрозоль для чистки дисков. Такие химические вещества могут повредить его пластиковые поверхности.



## Чистка корпуса устройства

Протирайте поверхности устройства мягкой тканью. Не мочите корпус. Если корпус очень загрязнен, используйте ткань, слегка смоченную мыльным раствором, и затем вытрите корпус сухой тканью.

## Устранение неисправностей

Ниже приводится таблица, в которой описаны действия, способные помочь Вам устранить большинство проблем, могущих возникнуть при использовании данного устройства. Если нижеуказанные меры не помогли, обратитесь в сервисный центр или к ближайшему дилеру.

Неисправность	Причина	Решение
Нет питания	Зажигание машины не включено.	Если источник питания подключен надлежащим образом к выключателю машины, установите ключ зажигания в положение "ACC".
	Сгорел предохранитель.	Замените предохранитель.
Нет звука	Уровень громкости звука установлен на минимум.	Отрегулируйте громкость звука до необходимого уровня.
	Кабель не подключен надлежащим образом.	Проверьте подключение кабеля.
Плохое качество звучания	Угол установки устройства более 30 градусов.	Отрегулируйте угол установки, установив его менее 30 градусов.
	Диск загрязнен или имеет дефект.	Очистите диск или используйте новый.

## Комплект поставки

1. Ресивер ..... 1 шт
2. Передняя панель ..... 1 шт
3. Защитный футляр ..... 1 шт
4. ISO коннектор ..... 1 шт
5. Детали для установки:
  - Шестигранная гайка M5 T ..... 1 шт
  - Кожух ..... 1 шт
  - Ключ-съемник ..... 2 шт
  - Опорная планка ..... 1 шт
  - Плоская шайба ..... 2 шт
  - Декоративная рамка ..... 1 шт
  - Пружинная шайба ..... 2 шт
  - Винт (5X25 мм) ..... 1 шт
  - Винт M5 (5X29.3 мм) ..... 1 шт
6. Информация для потребителя ..... 1 шт
7. Гарантийный талон ..... 1 шт
8. Инструкция по эксплуатации ..... 1 шт

## Общая информация

Диск не загружается или не извлекается из устройства	В устройстве уже есть диск.	Извлеките диск из устройства, затем установите новый диск.
	Конденсация влаги.	В течение часа не пользуйтесь устройством, затем повторите попытку.
Устройство не считывает диск	Диск установлен верхней стороной вниз.	Установите диск стороной с маркировкой вверх.
	Диск загрязнен или имеет дефект.	Очистите диск или установите новый.
	Температура внутри автомобиля очень высокая.	Подождите, пока температура не станет нормальной.
Не работают кнопки	Встроенный микрокомпьютер работает некорректно.	Выполните перезапуск устройства с помощью кнопки RESET.
	Передняя панель установлена некорректно.	Установите заново переднюю панель.
Радиоприемник не работает	Кабель антенны не подключен к устройству.	Подключите к устройству кабель антенны.
Не работает автоматическая настройка радиостанций	Радиостанции имеют слишком слабый сигнал.	Настраивайтесь на станции вручную.
Однократное отображение сообщения об ошибке (ERROR 1 – 11)	Возможна ошибка диска.	Выполните перезапуск устройства с помощью кнопки RESET. Убедитесь, что диск установлен в устройство правильно. Очистите или замените диск.
Повторяющееся отображение сообщения об ошибке (ERROR 1 – 11)	Ошибка в работе устройства.	Обратитесь в сервисный центр.



## Технические характеристики

### Общие

Источник питания:	12 В постоянного тока
Максимальная выходная мощность:	50 Вт х 4
Предохранитель:	15 А
Размеры (Ш х В х Д)/Вес:	178 х 50 х 163 мм/1,6 кг
Диапазон температур:	-20°C - +60°C
Электронная система стабилизации:	40 с CD/120 с MP3/300 с WMA
Угол монтажа:	0 - +/-30°

### Сtereo FM радио

Количество сохраняемых станций:	18
Частотный диапазон:	87.5 – 108.0 МГц
Разделение стерео:	25 дБ (1 кГц)

### AM радио

Количество сохраняемых станций:	6
Частотный диапазон:	522-1620 кГц

### Плеер дисков

Поддержка носителей:	CD/CD-R/CD-RW/USB/SD/MMC
Воспроизведение форматов:	CDDA/MP3/WMA
Частотный отклик:	30 Гц- 18 кГц
Отношение сигнал/шум:	> 55 дБ
Выход:	2 линейных RCA-выхода (2 В)

Технические характеристики могут быть изменены заводом-изготовителем без предварительного уведомления. Указанные геометрические размеры имеют приблизительные значения.

