

# HYUNDAI



## H-CDM8042



**CD/MP3/WMA RECEIVER**

**CD/MP3/WMA-РЕСИВЕР**

**Instruction manual**

**Руководство по эксплуатации**

# Table of contents

## Dear customer!

Thank you for purchasing our product. For safety, it is strongly recommended to read this manual carefully before connecting, operating and/or adjusting the product and keep the manual for reference in the future.

<b>Table of contents</b> .....	2	TA (Traffic Alarm)/TP function .....	10
<b>Before you start</b> .....	3	PTY (Program Type) .....	10
Utilization of the product .....	3	Other parameter setting .....	10
Important safeguards .....	3	REG (Regional) function .....	10
<b>Installation/Connection</b> .....	4	Mono/stereo control .....	10
Installation .....	4	Local radio station search .....	11
General notes .....	4	Other parameter setting .....	11
Din Front/Rear-Mount .....	4	Disc/USB/SD/MMC operations .....	11
1. DIN front-mount (Method A) .....	4	USB/SD/MMC notes .....	11
Dismantling the unit .....	4	Insert/Eject disc .....	11
Trim frame installation .....	5	Inserting an SD/MMC card/ USB device .....	11
2. DIN rear-mount (Method B) .....	5	Stopping playback .....	11
Detachable control panel .....	5	Previous/net track .....	12
Anti-theft system .....	5	Fast forward/rewind .....	12
Connection .....	6	Playback modes .....	12
Connection diagram .....	6	File/folder search .....	12
ISO connection table .....	6	Notes on MP3 and WMA .....	12
<b>Operation</b> .....	7	Notes on creating your own CD-Rs or CD-RWs containing MP3 files .....	13
Control elements .....	7	<b>General information</b> .....	14
Front panel .....	7	Handling compact discs .....	14
Inner panel .....	7	Cleaning discs .....	14
LCD layout .....	8	Cleaning the unit body .....	14
General operations .....	9	Accessories .....	14
Turning on/off .....	9	Troubleshooting guide .....	15
Volume control .....	9	Specification .....	16
Mute function .....	9		
Audio parameter setting .....	9		
Beep .....	9		
Loudness .....	9		
Mode setting .....	9		
AUX in jack .....	9		
Radio operations .....	9		
Band selection .....	9		
Automatic tuning .....	9		
Auto memory/store .....	10		
Preset scan .....	10		
RDS function .....	10		
AF (Alternative Frequencies) function .....	10		

## Utilization of the product

If you want to dispose this product, do not mix it with general household waste. There is a separate collection system for used electronic products in accordance with legislation that requires proper treatment, recovery and recycling.

Please contact your local authorities for the correct method of disposal. By doing so, you will ensure that your disposed product undergoes the necessary treatment, recovery and recycling and thus prevent potential negative effects on the environment and human health.

## Important safeguards

- Read carefully through the manual to familiarize yourself with this unit.
- Keep this manual handy as a reference for operating procedures and precautions. Do not allow persons who have not read through this manual to use this unit.

- “CLASS 1 LASER PRODUCT”

This product contains a laser diode of higher class than 1. Laser beams from the optical pickup are dangerous to the eyes. To ensure continued safety, do not remove any covers or attempt to gain access to the inside of the product. Refer all servicing to qualified personnel.

- Do not allow this unit to come into contact with liquids. Electrical shock could result. Also, damage to this unit, smoke, and overheating could result from contact with liquids or dust. Protect this unit from moisture.
- Make sure that foreign objects do not get inside the unit; they may cause malfunctions, or create safety hazards such as electrical shock or laser beam exposure.
- The beginning of operation is the moment of the unit installation. Before use the device in winter it is recommended to heat up the passenger compartment during 20 seconds or to the operation temperature.
- Using the unit with the temperature that goes beyond the operation temperature greatly

decreases the operation resource of the screen and other components of the unit and can result in an outage.

- Disconnect the vehicle's negative battery terminal while mounting and connecting the unit.
- The unit is designed for negative terminal of the battery, which is connected to the vehicle metal. Please ensure it before installation.
- When replacing the fuse, be sure to use one with an identical amperage rating. Using a fuse with a higher amperage rating may cause serious damage to the unit.
- Do not allow the speaker wires to be shorted together when the unit is switched on. Otherwise it may overload or burn out the power amplifier.
- Make sure you disconnect the power supply and aerial if you will not be using the system for a long period or during a thunderstorm.
- Make sure you disconnect the power supply if the system appears to be working incorrectly, is making an unusual sound, has a strange smell, has smoke emitting from it or liquids have got inside it. Let a qualified technician check the system.
- Always keep the volume low enough so that you can hear sounds from outside the vehicle.
- Should this product fail to operate properly, contact your dealer or nearest service center.

# Installation/Connection

## Installation

### General notes

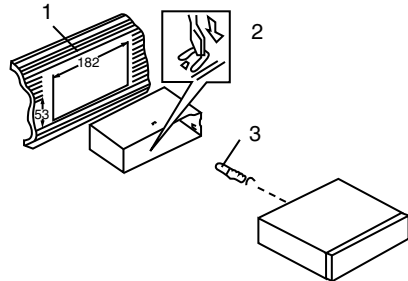
- Choose the mounting location where the unit will not interfere with the normal driving function of the driver.
- Before finally installing the unit, connect the wiring and make sure that the unit works properly.
- Consult with your nearest dealer if installation requires the drilling of holes or other modifications of the vehicle.
- Install the unit where it does not get in the driver's way and cannot injure the passenger if there is a sudden stop, like an emergency stop.
- If installation angle exceeds 30° from horizontal, the unit may not perform properly.
- Avoid installing the unit where it would be subject to high temperature, such as from direct sunlight, or from hot air, from the heater, or where it would be subject to dust, dirt or excessive vibration.

### Din Front/Rear-Mount

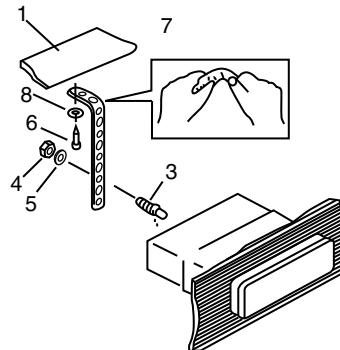
This unit can be properly installed either from 'Front' (conventional DIN Front-mount) or 'Rear' (DIN Rear-mount installation, utilizing threaded screw Holes at the sides of the unit chassis). For details, refer to the following illustrated installation methods.

#### 1. DIN front-mount (Method A)

1. Car dashboard
2. Sleeve
3. Screw
4. Nut (5 mm)
5. Spring washer
6. Screw (5 x 25 mm)
7. Metal strap
8. Flat washer

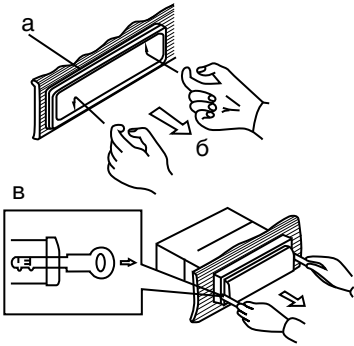


1. Install the sleeve into the dashboard; ensure it is installed with the correct side and there are no obstacles (wires, dashboard elements, etc) for the unit installation.
2. After installing the sleeve into the dashboard, bend tabs fitting to the size of the dashboard to fix the sleeve in place.
3. Use the metal strap to fix the rear side of the unit. Determine a place for fixing and install the strap as shown in the picture. You can bend the strap to the needed angle with your hands.
4. Make the necessary wire connections. Ensure the connections are correct.
5. Install the unit into the sleeve until the side locks are fixed.



### Dismantling the unit

- a – Trim frame
- b – Frame uninstal direction
- c – Release key insertion



1. Switch off the unit and detach the front panel.

2. Insert your fingers into the groove in the front side of the trim frame (apply some effort to detach the frame). Pull the frame to detach it.

3. Insert the supplied release keys into the both sides of the unit body to click, as shown in the picture. To extract the unit from the dashboard, pull the release keys or the unit body to pull it out. Before detaching the unit, ensure it is not fixed with the metal strap.

## Trim frame installation

To install the trim frame, press it to the unit body and push it to fix it in place. This should be done before installing the front panel; otherwise you are not able to install the trim frame. When the trim frame being installed, the side with the groove should face down and fixed first.

## 2. DIN rear-mount (Method B)

For this method, use the screw holes in the lateral sides of the unit. Fix the unit with the help of the factory radio mounting brackets.

1. Select a position in which the screw holes of the brackets (3) are aligned with the screw holes in the unit body, and screw in two screws (2) in each side.

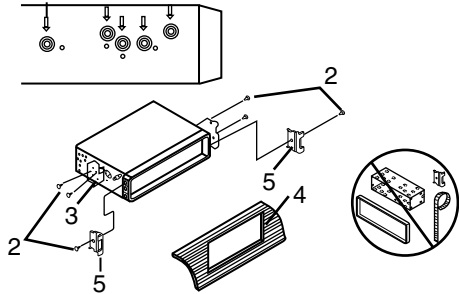
2. Screw.

3. Factory radio mounting brackets.

4. Vehicle dashboard.

5. Lock (remove this part).

The outer trim frame and mounting sleeve are not used for method of installation.



## Detachable control panel

Insert the left locker of the body into the fixing hole on the side of the panel, then insert the right locker into the right hole of the panel. Press on the upper part of the panel until a click.

To detach the front panel, press OPEN button. Hold the panel at 45 degree angle and push it to the left to detach the right locker. Then detach the left locker.

The control panel can easily be damaged by shocks. After removing it, place it in a protective case and be careful not to drop it or subject it to strong shocks. The rear connector that connects the main unit and the control panel is an extremely important part. Be careful not to damage it by pressing on it with fingernails, pens, screwdrivers, etc.

If the control panel is dirty, wipe off the dirt with soft, dry cloth only. And use a cotton swab soaked in isopropyl alcohol to clean the socket on the back of the control panel.

## Anti-theft system

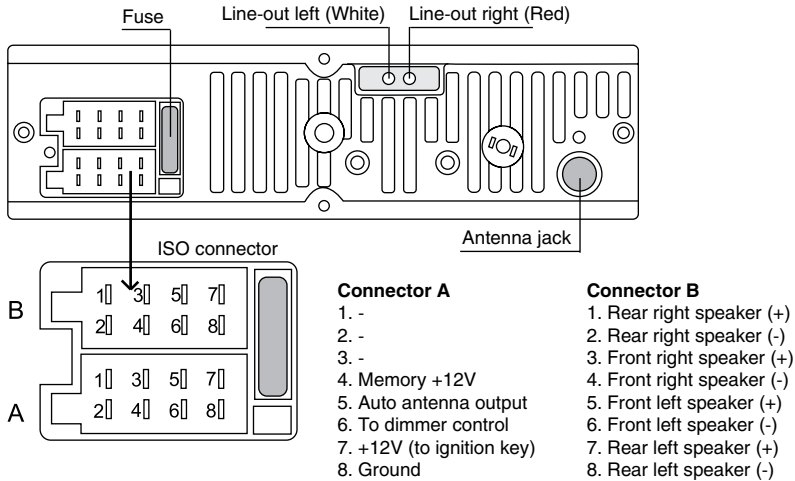
The front panel of this unit can be stored in the included protective case when not in used and carried away when you leave the vehicle to deter theft.

Switch off the power of the unit. Detach the front panel, then put it to the protective case and take it with you.

# Installation/Connection


## Connection

### Connection diagram



### ISO connection table

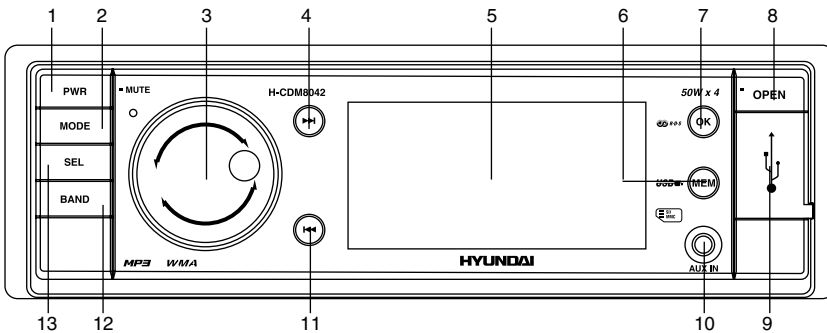
Location	Function	
	Connector A	Connector B
1		Rear Right(+)--Violet
2		Rear Right(--Violet/Black Stripe
3		Front Right(+)--Grey
4	Battery 12V (+)/yellow	Front Right(--Grey/Black Stripe
5	Power Antenna/Blue	Front Left(+)--White
6	Dimmer/Orange	Front Left((-)--White/Black Stripe
7	ACC+/Red	Rear Left(+)--Green
8	Ground/Black	Rear Left(--Green/Black Stripe

 Power antenna wire is intended for power supply of the antenna and for remote control of an additional amplifier.

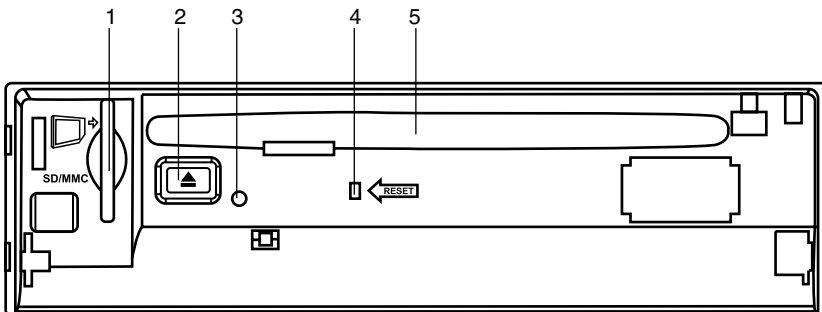
## Control elements

### Front panel


- |                    |                 |
|--------------------|-----------------|
| 1. PWR/MUTE button | 7. OK button    |
| 2. MODE button     | 8. OPEN button  |
| 3. VOLUME knob     | 9. USB slot     |
| 4. ►► button       | 10. AUX in jack |
| 5. Display         | 11. ◀◀ button   |
| 6. MEM button      | 12. BAND button |
|                    | 13. SEL button  |



### Inner panel



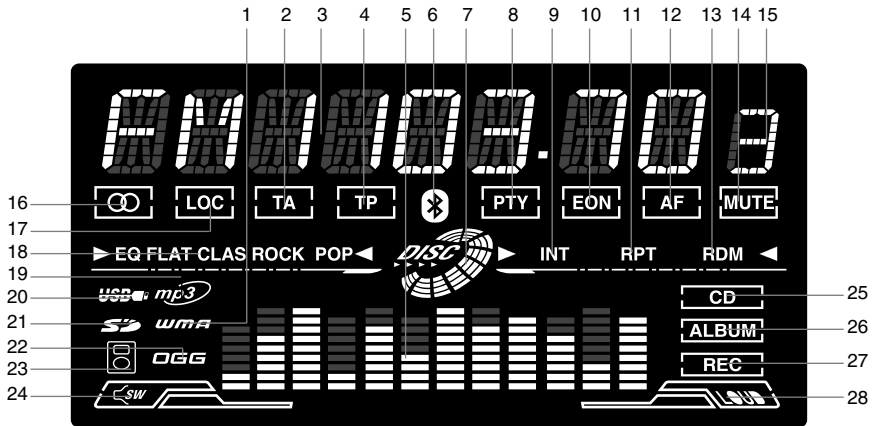
1. SD/MMC memory card slot
2. EJECT button
3. Panel status indicator
4. RESET button (hole)
5. Disc slot

 Pressing RESET hole will erase the clock setting and stored stations.

Panel status indicator lights up when you slide the panel down, flashes when you remove the panel.

# Operation

## LCD layout




- |                                |                                      |
|--------------------------------|--------------------------------------|
| 1. WMA playback indicator      | 15. Preset station number            |
| 2. TA function indicator       | 16. Stereo reception indicator       |
| 3. Digit display               | 17. Local reception indicator        |
| 4. TP function indicator       | 18. Active equalizer mode indicator  |
| 5. Equalizer graphic indicator | 19. MP3 playback indicator           |
| 6. Not active                  | 20. USB connection indicator         |
| 7. Disc playback indicator     | 21. Memory card connection indicator |
| 8. PTY function indicator      | 22. Not active                       |
| 9. Intro playback indicator    | 23. Not active                       |
| 10. EON function indicator     | 24. Subwoofer indicator (not active) |
| 11. Repeat playback indicator  | 25. CD playback indicator            |
| 12. AF function indicator      | 26. Not active                       |
| 13. Random playback indicator  | 27. Not active                       |
| 14. Mute function indicator    | 28. Loudness indicator               |



## General operations

### Turning on/off

Press any button (except OPEN button) to turn on the unit. Press and hold PWR/MUTE button to switch the unit off.

 After the unit is off, the volume level and radio current settings will be memorized, and when you turn the unit on it will resume the stored status you previously set. To protect your ear from too loud sound, the unit volume level will turn to 50 automatically when you turn the unit on if current volume level setting is above 50 when your turn the unit off.

### Volume control

Rotate VOLUME knob to adjust the volume level.


### Mute function

Press PWR/MUTE button to turn the sound off. Press it again to turn the sound on.

### Audio parameter setting

Press repeatedly SEL button to select the audio settings: VOLUME => BASS => TREBLE => BALANCE => FADER=> DSP. Rotate VOLUME knob to adjust each setting.

For DSP: Choose DSP OFF => FLAT => CLASSICS => POP => ROCK => DSP OFF.

 If the unit is turned off, all the settings of each mode will be saved. If cutting off battery power or resetting the unit, all the settings will return to factory default settings.

### Beep

Press and hold SEL button to select BEEP ON; rotate VOLUME knob to toggle between BEEP ON (beep sound will be heard when buttons are pressed) and BEEP OFF.


### Loudness

Press and hold SEL button, then press it repeatedly to select LOUD ON (LOUD OFF). Rotate VOLUME knob to select between

LOUD ON/LOUD OFF. LOUD function is to emphasize the bass output; the word LOUD ON indicates that the LOUD mode is on.

### Mode setting

Press MODE button to select between unit operation modes: TUNER => CD => SD => USB => AUX.

 USB, CARD, DISC modes will only show on the display when a USB device, memory card or a disc is inserted into the unit.

### AUX jack

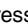
AUX-in jack is intended for connecting an external audio or video equipment to amplify the sound. If connection is made correctly, the audio signal from the external source will be translated through the acoustics of the head unit. This enables to adjust the volume and quality of the sounding. For example, you can connect an MP3-player to listen to tracks using the car acoustic system.

## Radio operations

### Band selection

Press repeatedly BAND button to select your desired radio band during RADIO mode: FM1, FM2, FM3, AM1 (M1), AM2 (M2). In each set of the bands you can store up to 6 preset stations, making total 30 preset memory stations.

### Automatic tuning

To find a station, select a band first, then press and hold  buttons, the automatic downward/upward search will start. It will play when a station is found.

### Programming preset stations

- To store a station: Select a band (if needed); find a station by automatic tuning. Then press MEM button and rotate VOLUME knob to choose a memory position (1-6), and finally press OK button to confirm.


- To recall a station: Select a band (if

# Operation

needed); press MEM button and rotate VOLUME knob to choose a number under which the needed station is stored (1-6), and finally press OK button to recall the station.

## Auto memory store

Select a band, press and hold OK button to enter auto store mode. The radio will automatically store 6 stations to the 6 preset memories of the current band. To stop auto store, press this button again.

 During auto station preset, the unit will search and store stations with the strong signal first, and then weaker signal stations until the memories are full.

## Preset scan

Select a band, press OK button to scan all preset stations in the memories of the current band, each preset scan for 5 seconds. To stop preset scan, press the button again.

## RDS function

RDS (Radio Data System) service availability varies with areas. Please understand if RDS service is not available in your area, the following service is not available, either.

## AF (Alternative Frequencies) function

Press and hold SEL button, then press it repeatedly to select AF. Rotate VOLUME knob to set this function on/off. If the AF function is on, the display will show "AF".

When the radio signal strength is poor, enabling the AF function will allow the unit to automatically search another station with the same PI (Program Identification) as the current station but with stronger signal strength, so that you do not have to retune the stations when driving between different transmitter coverage areas. When AF symbol is on, it means RDS information is received; when AF symbol is flashing, it means RDS information is not yet received. If RDS service is not available in your area, turn off the AF mode.

## TA (Travel Announcement) / TP (Travel Program Identification)

Enable or disable TA mode by pressing and holding BAND button. Default setting is OFF.

When TA function is activated, it will search the station with TA information automatically. If there is no TA information, it will search the station with TP information automatically, if there is no TP information either, it will return to the previous station after searching.

When receiving the station with TP information but without TA information, TP icon is on and TA icon keeps blinking; when receiving the station with TP and TA information, both TP and TA icons are on.

When playing in other mode and TA information is received, it will change to the radio mode automatically. After playing over, it will return to the previous mode.

## PTY (Program Type) (for FM radio)

Press and hold MEM button to open PTY program type list, and turn VOLUME knob to select a PTY type. After selecting the program type you want, press MEM button to search. Press the button again to stop the PTY search. If PTY code is different or not available, then display blinks with "PTY NONE".

## REG (Regional) function

Press and hold SEL button, then press it repeatedly to select REG, then rotate VOLUME knob to set this function on/off. Default setting is off for REG.

When REG is enabled (on), the receiver accepts regional variants of the tuned station with REG icon turned on.

When REG is disabled (off), the receiver ignores regional variants.

## Mono/Stereo control (in FM radio mode)

Press and hold SEL button, then press it repeatedly until the display shows STEREO (MONO). Turn VOLUME knob to switch between ON (stereo reception) or OFF (mono

reception). Improvement of reception of distant stations can be done by selecting mono mode, which may cut down some reception noise.

## Local radio station search

Press and hold SEL button, then press it repeatedly until the display shows LOCAL (DISTANT). When the LOCAL function is on, the local stations (stations with weak radio signal) can be played. When the DISTANT function is on, both local and distant stations (stations with strong radio signal) can be played.

## Setting other features

Press and hold SEL button, then press it repeatedly until the display shows one of these settings: MASK DPI => EON TA => TA VOL. Rotate VOLUME knob to adjust each setting, and press OK button to confirm the adjustment.

**MASK DPI:** During MASK DPI mode, the unit will mask only the AF which has different PI, this is the default mode; during MASK ALL mode, the unit will mask the AF which has different PI and no RDS signal with high field strength.

**EON TA:** Choose EON TA DX/LO. If you want to receive information from local stations only, select EON TA LO mode. Otherwise, select EON TA DX mode.

**TA VOL:** Adjust the volume for TA announcement.

## Disc/USB/SD/MMC operations

### USB/SD/MMC notes

USB functions (flash memory type) MP3 music play.


SD/MMC card support, 2in1 (SD/MMC) support.

USB flash memory.

FAT 12/ FAT 16/ FAT 32 is possible

- FAT 12/16 (dir: 200 support, file: 500 support),
- FAT 32 (dir: 200 support, file: 500 support).

- Filename: 32 byte/ Dir name: 32 byte.
  - Tag (id3tag ver2.0).
  - Title/ Artist/ Album: 32 byte support.
- Multi card reader not support. USB 2.0 support.

 USB format supports 2.0. Capacity: up to 4 Gb.

For correct and satisfactory operation, licensed SD/MMC memory cards of famous brands should be used with this unit. Avoid using memory cards of unknown brands. Capacity: up to 4 Gb.


### Loading/Ejecting a disc

Open the front panel and insert a disc into the disc slot with label side up. The disc will be automatically loaded into the unit. The first file in the root folder will be played.

Open the front panel and press EJECT button to eject the disc from the slot. If the disc is not removed from the slot within several seconds, it will be automatically loaded into the slot again. When the disc is ejected and removed, the unit will automatically switch to another mode.

### Inserting the SD/MMC card/USB device

Open the front panel and insert an SD/ MMC memory card into the card slot. Open the USB slot cover on the front panel and insert a USB into the USB slot. Then the playing mode will be changed into MMC/SD or USB mode automatically. The first card/USB device track playback will start.

 When SD/MMC card and USB device are both inserted, the playing mode will be changed into the mode of the device inserted later.

### Stopping playback

The unit will automatically play from the first sound track recorded on a disc/SD/ MMC /USB device. To ensure good system performance, wait until the unit finishes reading the disc /device information before proceeding. To stop playback, press MODE button and

# Operation


select a different mode. When you go back to disc/USB/card playback mode, the playback will continue from the point it was stopped on.

## Playing the previous/next track

During playback press ◀◀ button to play the previous track. Press ▶▶ button to play the next track.

## Fast forward/rewind

Press and hold ▶▶|◀◀ buttons to select fast forward/backward playing. Release the button when the needed playback point of the track is reached.

 When fast backward/forward playback reaches the previous or next track, the unit will resume normal playback.

## Playback modes

Press and hold SEL button, then press it until FUNC is displayed. Rotate VOLUME knob to select SCAN/REPEAT/RANDOM/FUNC OFF and press OK button to confirm.

**Scan:** playing the first several seconds of each track.

**Repeat:** repeating the same track continuously.

**Random:** playing all the tracks in random order.

## File/Folder Search Function (for MP3/WMA files)

The search modes only work with MP3/WMA discs and USB/SD/MMC with MP3/WMA files.

- File Number Search

Press MEM button once to enter file number search; symbol \* blinks in middle of the display meaning the unit is ready to accept file number for search. Rotate VOLUME knob to input a digit (from 1 to total file number in the storage) of file you want to listen to. After completing input, press BAND button to play.

- File Name Search


Press MEM button twice; symbol \* blinks on left side of the display. Rotate VOLUME knob to input the first alphabet (from A to Z) or digit

(from 0 to 9) of file you want to listen to. Press SEL button to go to next digit. After completing input, press BAND button to play.

If there is no file found, the unit will return to initial input ready mode automatically.

- Folder Search

Press MEM button 3 times, "ROOT" will be displayed. Rotate VOLUME knob to choose between folders and subfolders.

 The total number of folders on a disc/USB/memory card should not exceed 10.

## Notes on MP3 and WMA

- MP3 is short for MPEG Audio Layer 3 and refers to an audio compression technology standard.

- This product allows playback of MP3 files on CD-ROM, CD-R or CD-RW discs.

- The unit can read MP3 files written in the format compliant with ISO 9660. However it does not support the MP3 data written by the method of packet write.

- The unit can not read an MP3 file that has a file extension other than ".mp3".

- If you play a non- MP3 file that has the ".mp3" extension, you may hear some noise.

- In this manual, we refer to what are called "MP3 file" and "folder" in PC terminology as "track" and "album", respectively.

- Maximum number of directory level is 8, including the root directory. Maximum number of files and folders per disc is 256.

- The unit may not play tracks in the order of Track numbers.

- The unit plays only the audio tracks if a disc contains both audio tracks and MP3 files.

- When playing a disc of 8 kbps or "VBR", the elapsed playing time in the display window will not be correct and also the intro play may not function properly. "VBR": Variable Bit Rate.

- The unit supports the playback of WMA files. The playback of ID3 tags for WMA format is not guaranteed, it depends on versions and availability of Cyrillic alphabet.

- WMA (Windows Media Audio) – music data compression format, created by Microsoft Corporation. This format uses coding algorithm

for compression of initial audio-record, greatly decreasing the file size, but, saving the good sound quality even when the bit rate is low (for example, 64 Kbit/s).

- Remember that the unit may not play the tracks in order they are written on disc.

## **Notes on creating your own CD-Rs or CD-RWs containing MP3 files**

- To enjoy high quality sound, we recommend converting to MP3 files with a sampling frequency of 44.1 kHz and a fixed bit rate of 128 kbps.

- Do not store more than 256 MP3 files per disc.

- For ISO 9660 - compliant format, the maximum allowable depth of nested folders is 8, including the root directory (folder).

- When CD-R disc is used, playback is possible only for discs, which have been finalized.

- Make sure that when MP3 CD-R or CD-RW is burned that it is formatted as a data disc and not as an audio disc.

- You should not write non-MP3 files or unneeded folders along with MP3 files on the disc otherwise it takes a long time until the unit starts to play MP3 files.

- With some CD-R or CD-RW media, data may not be properly written depending on their manufacturing quality. In this case, data may not be reproduced correctly. High quality CD-R or CD-RW disc is recommended.

- Up to 16 characters are displayed for the name of an Album or a Track. ID3TAG version 1.x is required.

- Note that the unit may not play tracks in the order that you wrote them to the disc.

# General information

## Handling compact discs

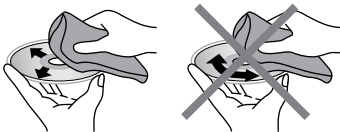
- Do not insert anything other than a CD into the CD loading slot.
- Do not use cracked, chipped, warped, or otherwise damaged discs as they may cause skipping or noise damage the player.
  - Handle the disc only by the edges (as shown in the picture). To keep discs clean do not touch its surface.
  - Store discs in their cases when not in use.
  - Do not expose discs to direct sunlight, high humidity, high temperature or dust.
  - Prolonged exposure to extreme temperature (such as leaving the discs in your car during summertime) can warp a disc.
  - Do not attach labels, write on or apply chemicals to the surface of the discs.
  - Do not touch the recorded surface of the discs.
  - Use 12-cm CDs. Use only conventional, fully circular discs. Do not use shaped discs.



## Cleaning discs

Fingerprints should be carefully wiped from the surface of disc with a soft cloth. Unlike conventional records, compact discs have no grooves to collect dust and macroscopic dirt, so gently wiping them with a soft cloth should remove most particles. Wipe in a straight motion from the center to the edge.

Never use thinner benzene, record cleaner or anti static spray on a compact disc. Such chemicals can damage its plastic surface.



## Cleaning the unit body

Wipe with a soft cloth. If the cabinet is very dampen (not dropping wet) the cloth with a weak solution of soapy water, and then wipe clean.

## Accessories

1. Receiver ..... 1 pc
2. Front panel ..... 1 pc
3. Protective case ..... 1 pc
4. ISO adaptor set ..... 1 pc
5. Mounting parts:
  - Nut 5 mm ..... 1 pc
  - Spring washer ..... 1 pcs
  - Plain washer ..... 1 pcs
  - Bolt ..... 4 pcs
  - Screw ..... 1 pc
  - Metal strap ..... 1 pc
  - Release key ..... 2 pcs
  - Mounting collar ..... 1 pc
  - Trim frame ..... 1 pc
  - Rubber cushion ..... 1 pc
6. Instruction manual ..... 1 pc
7. Warranty card ..... 1 pc
8. Consumer information ..... 1 pc

## Troubleshooting

Below is a table describing simple measures that can help you eliminate most problems likely to emerge when this unit is in use. If below measures do not help, turn to a service center or to the nearest dealer.

Symptom	Cause	Solution
No power	The car ignition is not on.	If the power supply is properly connected to the car accessory switch the ignition key to "ACC".
	The fuse is blown.	Replace the fuse.
No sound	Volume is in minimum.	Adjust volume to a desired level.
	Wiring is not properly connected.	Check wiring connection.
Bad sound quality	The installation angle is more than 30 degrees.	Adjust the installation angle to less than 30 degrees.
	The disc is extremely dirty or defective.	Clean the compact disc/try to play a new one.
Disc cannot be loaded or ejected	The unit already contains a disc.	Remove the disc in the player then put a new one.
	Moisture condensation.	Leave the unit idle for an hour, then retry.
Disc cannot be read	The disc is inserted upside down.	Insert the compact disc with the label side facing upward.
	Compact disc is extremely dirty or defective.	Clean the disc or try to play a new one.
	Temperature inside the car is too high.	Cool off until the ambient temperature returns to normal.
Buttons do not work	The built-in microcomputer is not operating properly.	Reset the unit with the help of RESET button.
	Front panel is not properly fix into its place.	Install the front panel properly.
The radio does not work	The antenna cable is not connected.	Insert the antenna cable properly.
The radio station automatic tuning does not work	The signals are too weak.	Select stations manually.

## General information

The display shows an error message (ERROR 1 – 11) one time.	Possible disc error.	Reset the unit by pressing RESET hole. Ensure the disc is inserted correctly into the slot. Clean or change the disc.
The display shows an error message (ERROR 1 – 11) repeatedly.	Unit operation error.	Turn to a service center.

## Specifications

### General

Power supply	12 V DC
Current consumption	max. 10 A
Maximum power output	50 W x 4 channels
Fuse	10A
Dimensions (L x W x H)	178 x 50 x 165 mm
Temperature range	-20°C - +60°C

### FM stereo radio

Frequency range	65.0 - 74.0/87.5 - 108.0 MHz
Presettable stations	18
Usable sensitivity	8 uV

### MW Section

Frequency range	522 kHz-1620 kHz
Presettable stations	12
Usable sensitivity	30 dB

### Disc player

System	Compact disc audio system
Medium support	CD/CD-R/CD-RW/USB/SD/MMC
Format support	CDDA/MP3/WMA
Frequency characteristics	20 Hz - 20 kHz
ESP	40 sec. for CD/ 120 sec. for MP3/300 sec. for WMA
Mounting angle	0 - +/-30°

### Line out

Output:	2 channel RCA line-out (2V)
---------	-----------------------------

Specifications are subject to change without notice. Dimensions are approximate.



## Уважаемый покупатель!

Благодарим Вас за покупку нашего изделия. Чтобы понять, как правильно и безопасно пользоваться Вашей моделью изделия, рекомендуется тщательно изучить настоящее руководство перед подключением, регулировкой и эксплуатацией изделия. Сохраняйте руководство для использования в будущем.

<b>Содержание</b> .....	17	Автоматическое сохранение станций ..	27
<b>Перед началом эксплуатации</b> .....	18	Сканирование сохраненных станций ..	27
Утилизация изделия .....	18	Сервис RDS .....	27
Меры предосторожности .....	18	Функция AF (альтернативные частоты) .....	27
<b>Установка/Подключение</b> .....	20	Функция TA/TP (программы о дорожном движении) .....	27
Установка .....	20	Функция PTY (тип программы) .....	28
Общая информация .....	20	Функция REG .....	28
Установка устройства в приборную панель .....	20	Поиск локальных радиостанций .....	28
Установка в приборную панель (Метод А) .....	20	Моно/стерео прием .....	28
Установка декоративной рамки .....	21	Дополнительные функции .....	28
Установка в приборную панель (Метод Б) .....	21	Воспроизведение дисков/USB накопителей/карт памяти SD/MMC .....	29
Операции со съемной панелью .....	22	Примечания по USB/SD/MMC разъемам .....	29
Система против кражи .....	22	Загрузка/извлечение диска .....	29
Подключение .....	23	Загрузка USB/SD/MMC карты .....	29
Схема электрических соединений .....	23	Остановка воспроизведения .....	29
Таблица проводов ISO-коннектора .....	23	Следующий/предыдущий трек .....	29
<b>Управление устройством</b> .....	24	Ускоренная перемотка вперед или назад .....	29
Элементы управления .....	24	Режимы воспроизведения .....	30
Передняя панель .....	24	Поиск файла/папки .....	30
Внутренняя панель .....	24	Примечания по MP3 и WMA .....	30
Символы ЖК-дисплея .....	25	Примечание по созданию собственных CD-R или CD-RW, содержащих файлы MP3 .....	31
Основные операции .....	26	<b>Общая информация</b> .....	32
Включение/выключение устройства ..	26	Обращение с компакт-дисками .....	32
Регулирование громкости .....	26	Чистка дисков .....	32
Приглушение звука .....	26	Чистка корпуса устройства .....	32
Настройка параметров звука .....	26	Комплект поставки .....	32
Функция BEEP .....	26	Руководство по устранению неисправностей .....	33
Тонкомпенсация .....	26	Технические характеристики .....	34
Режимы работы устройства .....	26		
Вход AUX .....	26		
Операции с радио .....	26		
Выбор диапазона радио .....	26		
Автонастройка радиостанций .....	27		
Сохранение и вызов станций .....	27		

# Перед началом эксплуатации

## Утилизация изделия

Если вы желаете утилизировать данное изделие, не выбрасывайте его вместе с обычным бытовым мусором. Существует отдельная система сбора использованных электронных изделий в соответствии с законодательством, которая предполагает соответствующее обращение, возврат и переработку.

Обращайтесь в органы местного управления за инструкциями по правильной утилизации продукта. Тем самым Вы обеспечите утилизацию Вашего изделия с соблюдением обязательных процедур по обработке, утилизации и вторичной переработке и, таким образом, предотвратите потенциальное негативное воздействие на окружающую среду и здоровье людей.

## Меры предосторожности

- Внимательно изучите данное руководство, чтобы ознакомиться с устройством.
- Держите данное руководство под рукой в качестве справочника по правилам эксплуатации и мерам предосторожности. Не допускайте к использованию устройства посторонних лиц, не ознакомившихся и не усвоивших данные инструкции по эксплуатации.

### • ЛАЗЕРНЫЙ ПРОДУКТ КЛАССА 1

Данное устройство оснащено лазерным диодом класса выше 1. Лазерные лучи, исходящие из блока оптической головки считывания информации с компакт-диска, опасны для глаз. В целях обеспечения полной безопасности не снимайте какие-либо крышки и не пытайтесь проникнуть внутрь устройства. Ремонт должен выполняться только квалифицированным специалистом.

- Не допускайте попадания жидкости на устройство. Это может повлечь поражение электрическим током. Кроме того, попадание жидкости или пыли в устройство может стать причиной его выхода из строя, перегрева и появления дыма. Оберегайте устройство от воздействия влаги.
- Убедитесь, что внутрь устройства не попали посторонние предметы. Они могут

вызвать сбои в работе или стать причиной возгорания или поражения лазерным лучом.

- Началом эксплуатации устройства считается момент его установки в автомобиль. Перед началом использования устройства в зимний период рекомендуется прогреть салон автомобиля в течение 20 минут или до достижения эксплуатационного диапазона температуры устройства.

- Использование устройства при температуре, выходящей за рамки эксплуатационного диапазона температур, значительно снижает ресурс работы экрана и других компонентов устройства и может привести к выходу устройства из строя.

- При установке и подключении устройства отключите отрицательную клемму аккумулятора автомобиля.
- Устройство разработано таким образом, чтобы отрицательный вывод аккумулятора был подключен к корпусу транспортного средства. Пожалуйста, убедитесь в этом перед установкой.
- При замене предохранителя, убедитесь, что вы устанавливаете предохранитель с тем же номиналом. Используя предохранитель с повышенным значением тока, можно причинить значительные повреждения устройству.
- Не позволяйте проводам динамиков

соприкасаться друг с другом или с корпусом автомобиля после включения устройства. В противном случае усилитель может быть перегружен или выйти из строя.

- Убедитесь, что источник питания и антенна отключены, если Вы не будете пользоваться устройством в течение длительного времени или во время грозы.
- Убедитесь, что источник питания отключен, если обнаружена неправильная работа устройства, устройство издает нехарактерные звуки, запах, выделяет дым или внутрь его попала жидкость. В этих случаях необходим квалифицированный технический осмотр устройства.
- Не устанавливайте уровень громкости, заглушающий внешние звуки дорожной обстановки и сигналы специального транспорта.
- При неполадках в работе устройства свяжитесь с торговым представителем или с ближайшим сервисным пунктом.

## Установка

### Общая информация

- Перед окончательной установкой устройства временно подключите все провода и убедитесь, что все соединения выполнены верно, а устройство и система работают правильно.

- Для обеспечения правильной установки устройства используйте только те детали, которые входят в комплект. Использование других приспособлений может привести к появлению сбоев в работе устройства.

- Если для установки устройства необходимо сверлить отверстия в кузове автомобиля или вносить какие-либо другие изменения в его конструкцию, проконсультируйтесь с продавцом.

- Устанавливайте устройство там, где оно не будет закрывать водителю обзор и отвлекать его от дорожной обстановки и не сможет нанести травм пассажирам в случае внезапной остановки автомобиля, например, при экстренном торможении.

- Если при установке устройства угол относительно горизонтальной плоскости превышает 30°, рабочие характеристики проигрывателя могут быть не оптимальны.

- Никогда не устанавливайте устройство в таких местах, где оно будет подвергаться воздействию высокой температуры, например, в местах попадания прямых солнечных лучей, в местах выхода горячего воздуха от отопителя автомобиля, в местах, где очень грязно или пыльно, или там, где устройство будет подвергаться сильной вибрации.

- Перед установкой устройства обязательно снимите переднюю панель.

### Установка устройства в приборную панель

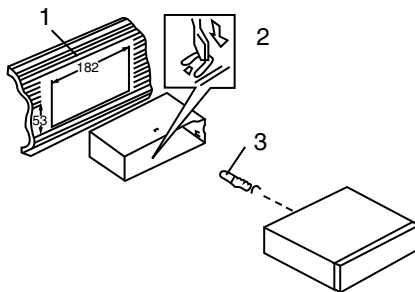
Данное устройство может быть установлено либо «спереди» (обычная установка стандарта DIN в приборную панель автомобиля), либо «сзади» (установка стандарта DIN, при которой используются отверстия

на боковых сторонах корпуса проигрывателя, имеющие резьбу под винты). Более подробно методы установки А и Б описываются ниже.

### Установка в приборную панель (Метод А)

#### Установка устройства

1. Приборная панель автомобиля
2. Монтажный кожух.
3. Винт
4. Гайка(5 мм)
5. Пружинная шайба
6. Винт (5 x 25 мм)
7. Опорная планка.
8. Плоская шайба



1. Установите монтажный кожух в приборную панель автомобиля, убедитесь, что он установлен правильной стороной и нет препятствий (провода, элементы приборной панели) для установки магнитолы.

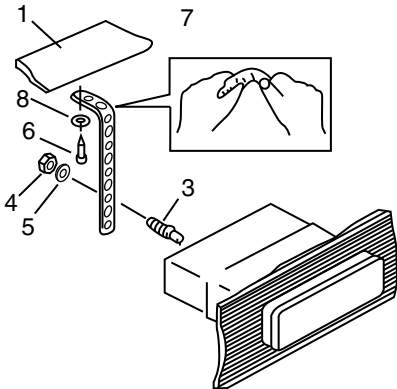
2. После установки монтажного кожуха в приборную панель отогните на нем металлические язычки, соответствующие толщине приборной панели. Это позволит закрепить кожух на месте.

3. Обязательно используйте опорную планку для закрепления задней стороны проигрывателя. Определите место крепления и установите ее согласно приведенному рисунку. Планку можно согнуть руками под нужным углом.

4. Подключите необходимые провода и разъемы. Убедитесь в правильности под-

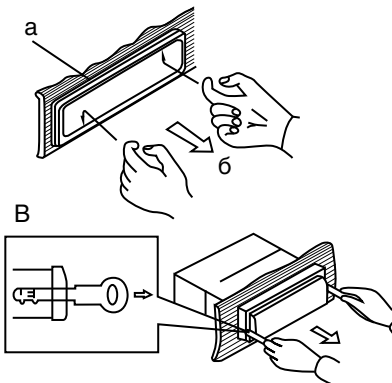
ключения.

5. Установите магнитолу в монтажный кожух до фиксации боковых защелок.



## Снятие устройства

- а – Декоративная рамка
- б – Направление снятия рамки
- в – Установка ключей съемников



1. Выключите магнитолу и снимите переднюю панель.
2. Вставьте пальцы в канавку на передней стороне декоративной рамки (рамка снимается с небольшим усилием). Потяните рамку на себя, чтобы снять ее.

3. Вставьте входящие в комплект ключи-съемники с обеих сторон корпуса устройства, как показано на рисунке, до щелчка. Для того чтобы извлечь устройство из приборной панели, потяните за съемники или магнитолу и вытяните её на себя (перед снятием убедитесь, что магнитолу не зафиксирована с опорной планкой).


## Установка декоративной рамки

Для установки декоративной рамки прижмите ее к корпусу устройства и нажмите, чтобы вставить на место. Это необходимо сделать до установки передней панели, иначе вы не сможете установить декоративную рамку на место (При установке рамки на место направьте сторону с канавкой вниз и закрепите ее.).

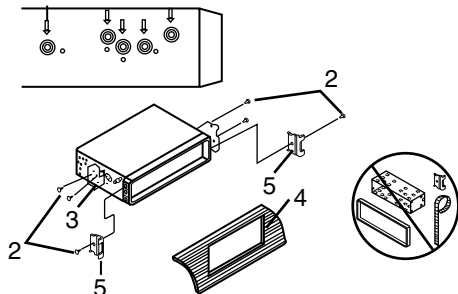
## Установка в приборную панель (Метод Б)

В данном случае установки используются отверстия для винтов на боковых сторонах устройства. Закрепите устройство с помощью штатных кронштейнов крепления радиоприемника.

1. Выберите такое положение, в котором отверстия для винтов на кронштейне (3) будут совмещены с отверстиями для винтов на корпусе устройства и вкрутите по два винта (2) с каждой стороны.
2. Винт.
3. Монтажный кронштейн штатного радиоприемника.
4. Приборная панель или консоль автомобиля.
5. Защелка (снимите эту деталь).

 При установке по методу Б монтажный кожух и внешняя декоративная рамка не используются.

## Установка/Подключение



можно взять с собой, когда Вы покидаете автомобиль. Это позволяет избежать кражи панели.

Отключите питание устройства. Снимите переднюю панель и поместите ее в предохранительный футляр.

**⚠** Панель может повредиться из-за внешних факторов: тряски, ударов. После снятия ее с устройства держите панель в защитном футляре и старайтесь не ронять и не наносить физических повреждений.

Очень важным элементом является коннектор на задней части панели. Не нажимайте на него ногтями, ручками, отвертками.

**🧼** Если панель загрязнилась или запылилась, протрите ее сухой чистой тканью. Для чистки разъема в задней части панели используйте тампон, смоченный изопропиловым спиртом.

### Операции со съемной панелью

Вставьте левый крепеж корпуса устройства в отверстие на левой стороне панели, затем вставьте правый крепеж в правое отверстие панели. Нажмите на верхнюю часть панели до щелчка.

Для отсоединения передней панели нажмите кнопку OPEN. Держа панель наклонно под углом примерно 45 градусов, нажмите на нее влево и высвободите правый крепеж корпуса устройства из отверстия на панели. Затем отсоедините левый крепеж.

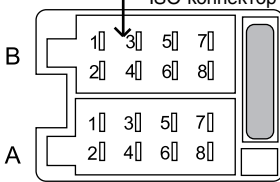
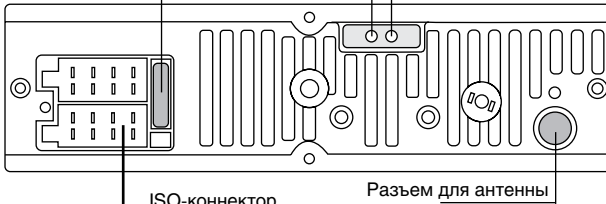
### Система против кражи

Если данное устройство не используется, переднюю панель можно отсоединить и поместить в защитный футляр, входящий в комплект поставки. Панель в футляре

## Подключение

### Схема электрических соединений

Предохранитель Лин. выход лев. (белый) Лин. выход прав. (красный)



#### Коннектор А


1. -
2. -
3. -
4. К аккумулятору +12В
5. Питание антенны
6. К габаритным огням
7. +12В (питание)
8. Заземление

#### Коннектор В

1. Тыловой правый динамик (+)
2. Тыловой правый динамик (-)
3. Фронтальный правый динамик (+)
4. Фронтальный правый динамик (-)
5. Фронтальный левый динамик (+)
6. Фронтальный левый динамик (-)
7. Тыловой левый динамик (+)
8. Тыловой левый динамик (-)

### Таблица проводов ISO-коннектора

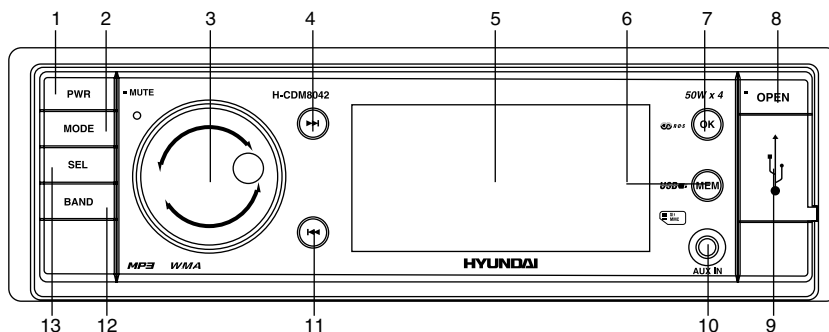
Номер	Функция	
	Разъем А	Разъем В
1		Тыловой правый(+)--Фиолетовый
2		Тыловой правый(-)--Фиолет./Черный
3		Фронтальный правый(+)--Серый
4	Питание 12В (+)/желтый	Фронтальн. правый(-)--Серый/Черн.
5	Питание антенны/синий	Фронтальный левый(+)--Белый
6	Подсветка панели/оранж.	Фронт. левый((-)--Белый/Черный
7	Зажигание/красный	Тыловой левый(+)--Зеленый
8	Земля/черный	Тыловой левый(-)--Зеленый/Черный

 Провод питания антенны предназначен для подачи питания на антенну и для удаленного управления дополнительным усилителем.

# Управление устройством

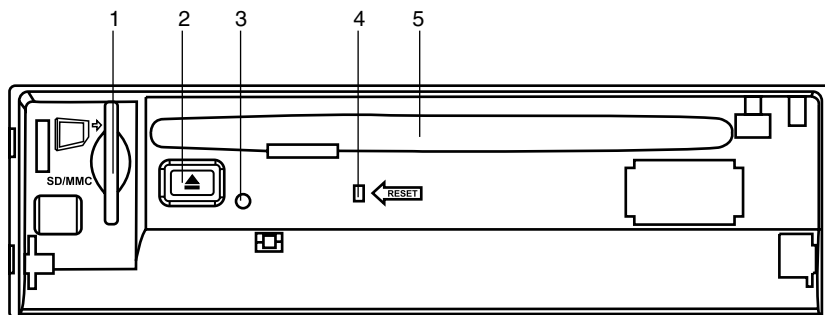
## Элементы управления

### Передняя панель




- |                     |                 |
|---------------------|-----------------|
| 1. Кнопка PWR/MUTE  | 8. Кнопка OPEN  |
| 2. Кнопка MODE      | 9. USB-слот     |
| 3. Регулятор VOLUME | 10. Вход AUX    |
| 4. Кнопка ►►        | 11. Кнопка ◄◄   |
| 5. Дисплей          | 12. Кнопка BAND |
| 6. Кнопка MEM       | 13. Кнопка SEL  |
| 7. Кнопка OK        |                 |

### Внутренняя панель



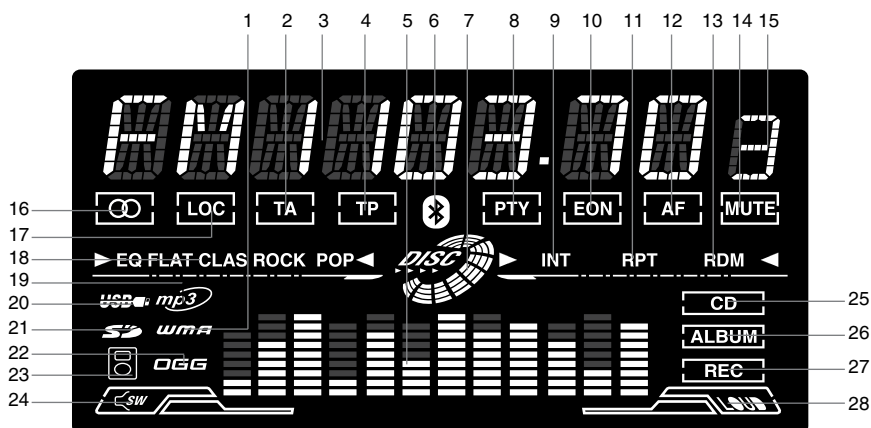
1. Slot для карт памяти SD/MMC
2. Кнопка EJECT
3. Индикатор состояния панели
4. Кнопка (отверстие) RESET
5. Slot для дисков

 При нажатии кнопки RESET все выполненные установки будут удалены из памяти устройства.

Индикатор состояния панели загорается, когда панель опущена, и мигает при снятии панели.



## Символы ЖК дисплея




- |  |                                   |
|--|-----------------------------------|
| 1. Индикатор воспроизведения WMA         | 15. Номер сохраненной станции     |
| 2. Индикатор функции TA                  | 16. Индикатор стерео приема       |
| 3. Цифровой дисплей                      | 17. Прием местных станций         |
| 4. Индикатор функции TP                  | 18. Индикатор режима эквалайзера  |
| 5. Графический индикатор эквалайзера     | 19. Индикатор воспроизведения MP3 |
| 6. Не активен для данной модели          | 20. Индикатор работы USB          |
| 7. Индикатор воспроизведения диска       | 21. Индикатор работы карты памяти |
| 8. Индикатор функции PTY                 | 22. Не активен для данной модели  |
| 9. Индикатор обзорного воспроизведения   | 23. Не активен для данной модели  |
| 10. Индикатор функции EON                | 24. Не активен для данной модели  |
| 11. Индикатор повторного воспроизведения | 25. Индикатор воспроизведения CD  |
| 12. Индикатор функции AF                 | 26. Не активен для данной модели  |
| 13. Индикатор случайного воспроизведения | 27. Не активен для данной модели  |
| 14. Индикатор приглушения звука          | 28. Индикатор тонкомпенсации      |

# Управление устройством

## Основные операции

### Включение/выключение устройства

Нажмите любую кнопку (кроме кнопки OPEN), чтобы включить устройство. Нажмите и удерживайте кнопку PWR/MUTE, чтобы отключить питание устройства.

 После отключения устройств уровень громкости и настройки радио будут сохранены в памяти устройства и при включении активируются. Если Вы отключили устройство при уровне громкости звука более 50, при последующем включении уровень громкости автоматически снизится до 50.

### Регулирование громкости

Вращайте регулятор VOLUME, чтобы отрегулировать уровень громкости звука.


### Приглушение звука

Нажмите кнопку PWR/MUTE, чтобы приглушить звук. Нажмите кнопку еще раз или регулируйте громкость, чтобы включить звук.

### Настройка параметров звука

Нажимайте несколько раз кнопку SEL для выбора нужного параметра звука: VOL (громкость) => BAS (низкие частоты) => TRB (высокие частоты) => BAL (баланс между правым и левым каналами) => FAD (баланс между фронтальным и тыловым каналами) => DSP (эквалайзер). Вращайте регулятор VOLUME для регулировки выбранного параметра.

DSP (эквалайзер): Выберите режим эквалайзера FLAT => CLASSICS => POP => ROCK => DSP OFF (отключение эквалайзера).

 При выключении устройства настройки будут сохранены в памяти. При сбросе устройства настройки вернуться к заводским значениям.

### Функция BEEP

Нажмите и удерживайте кнопку SEL,


затем нажимайте ее несколько раз, чтобы выбрать BEEP ON. Вращайте регулятор VOLUME для переключения между BEEP ON (функция сопровождения нажатия кнопок звуковым сигналом) и BEEP OFF (отключение звукового сигнала при нажатии кнопок).

### Тонкомпенсация

Нажмите и удерживайте кнопку SEL, затем нажимайте ее несколько раз, чтобы выбрать LOUD ON (LOUD OFF). Вращайте регулятор VOLUME для включения или отключения функции компенсации низких и высоких частот, если вы хотите уменьшить уровень звука без потери четкости звучания.

### Режимы работы устройства

Нажимайте кнопку MODE, чтобы выбрать режим работы устройства: TUNER (радио) => CD (диск) => SD (карта памяти) => USB => AUX.

 Режимы USB, SD, DISC доступны, только если соответствующие носители загружены в устройство.

### Вход AUX

Разъем AUX предназначен для подключения внешнего аудио и видео устройства с целью усиления звука. В случае правильного подключения аудиосигнал от внешнего источника будет транслироваться через акустику головного устройства. Это дает возможность регулировать громкость и качество звучания. Например, Вы можете подключить MP3-проигрыватель для прослушивания записей через акустику автомобиля.

## Операции с радио

### Выбор диапазона

Нажимайте кнопку BAND в режиме радио для выбора нужного диапазона частот: FM1, FM2, FM3, AM1 (M1), AM2 (M2). В каждом диапазоне можно сохранить до 6

радиостанций, общее количество сохраняемых радиостанций составляет 30.

## Автоматическая настройка

Для поиска станции выберите диапазон, затем нажмите и удерживайте кнопку ►► или ◄◄, начнется автоматический поиск станции вниз или вверх по диапазону соответственно. При обнаружении станции начнется ее вещание.

## Сохранение и вызов станций

- Для сохранения станции: выберите диапазон; найдите станцию. Нажмите кнопку MEM, затем вращайте регулятор VOLUME, чтобы выбрать номер позиции для сохраняемой станции (1-6). Для сохранения нажмите кнопку ОК.
- Для вызова станции: выберите диапазон; нажмите кнопку MEM, затем вращайте регулятор VOLUME, чтобы выбрать номер, под которым сохранена нужная станция (1-6). Нажмите кнопку ОК для вызова станции.

## Автоматическое сохранение станций

Выберите диапазон, нажмите и удерживайте кнопку ОК для активации режима автосохранения. Устройство автоматически найдет и сохранит в памяти 6 станций с наиболее сильным сигналом в текущем диапазоне. Для остановки процесса автосохранения нажмите кнопку ОК.

## Сканирование сохраненных станций

Выберите диапазон, нажмите кнопку ОК для запуска сканирования всех станций, сохраненных в текущем диапазоне. Для остановки сканирования нажмите еще раз эту кнопку.

## Сервис RDS

Сервис RDS (Система радиоданных) доступен не во всех регионах. Имейте в виду, что если услуга RDS не доступна в Вашем ре-

гионе, то данная функция не будет работать.

## Функция AF (альтернативные частоты)

Нажмите и удерживайте кнопку SEL, затем нажимайте ее несколько раз, чтобы выбрать AF. Вращайте регулятор VOLUME, чтобы включить (ON) или отключить (OFF) эту функцию.

При слабом сигнале функция альтернативных частот позволяет приемнику настраиваться на другие станции с тем же идентификационным кодом, что и текущая станция, но с более сильным сигналом. При включенном режиме AF радио постоянно проверяет силу сигнала альтернативных частот, на которых может транслироваться RDS программа. Если сигнал слабый или исчезает, приемник будет автоматически искать другую частоту с этой программой.

Если символ AF отображается на дисплее статично, это означает, что режим AF активен и идет прием информации RDS. Если символ мигает, режим активен, но информация RDS отсутствует. Если символ AF не отображается, это означает, что режим AF отключен. Если служба RDS недоступна в Вашей местности, выключите режим AF.

## Функции TA (сообщения о ситуации на дорогах)/TP (программы о дорожном движении)

Нажмите и удерживайте кнопку BAND, чтобы включить или выключить функцию TA. По умолчанию функция отключена.

При включенной функции TA устройство осуществляет поиск радиостанции, вещающей информацию о ситуации на дорогах. Если такая информация отсутствует, будет автоматически осуществляться поиск станции, предоставляющей программы о дорожном движении. Если такая станция не будет найдена, устройство вернется к вещанию исходной станции.

При приеме станции с информацией TP, не без информации TA, символ TP

на дисплее будет отображаться статично, а символ TA будет мигать; при наличии информации TP и TA оба символа будут отображаться на дисплее статично.

Если устройство находится в другом режиме работы, и поступила информация о ситуации на дорогах, устройство автоматически переключится в режим радио, и начнется вещание этой информации. После окончания вещания устройство вернется в предыдущий режим.

## ФункцияPTY (тип программы) (только для FM радио)

Нажмите и удерживайте кнопку MEM для перехода к выбору типа программы; вращайте регулятор VOLUME, чтобы выбрать нужный тип программы. После выбора нажмите кнопку MEM для поиска станции, предоставляющей соответствующий тип программы. Для остановки поиска нажмите эту кнопку еще раз. Если программы выбранного типа не найдена, на дисплее отобразится надпись "PTY NONE" ("Тип программы отсутствует").

## Функция REG (региональный прием)

Нажмите и удерживайте кнопку SEL, затем нажимайте ее несколько раз, чтобы выбрать REG. Вращайте регулятор VOLUME, чтобы включить (ON) или выключить (OFF) эту функцию. По умолчанию функция отключена.

При включенной функции REG, устройство принимает региональные станции, аналогичные текущей станции. При отключенной функции прием региональных станций невозможен.

## Поиск локальных радиостанций

Нажмите и удерживайте кнопку SEL, затем нажимайте ее несколько раз до отображения на дисплее надписи LOCAL (DISTANT). Вращайте регулятор VOLUME для переключения между LOCAL (активация приема местных радиостанций со

слабым сигналом) и DISTANT (отключение приема местных радиостанций; прием удаленных радиостанций как со слабым, так и с сильным сигналом).

## Моно/стерео прием (для FM радио)

Нажмите и удерживайте кнопку SEL, затем нажимайте ее несколько раз, пока на дисплее не отобразится надпись STEREO (MONO). Вращайте регулятор VOLUME для переключения между MONO и STEREO. Достичь улучшения дистанционного сигнала можно, отключив режим стерео, что позволяет убрать лишние звуковые шумы.

## Дополнительные функции

Нажмите и удерживайте кнопку SEL, затем нажимайте ее несколько раз, пока на дисплее не отобразится одна из следующих функций: MASK DPI => EON TA => TA VOL. Вращайте регулятор VOLUME, чтобы выполнить настройку выбранной функции, затем нажмите кнопку OK для подтверждения.

**MASK DPI:** После включения режима AF (поиск альтернативных частот с той же программой), программа, которую Вы прослушиваете, может быть замещена другой программой, которая вещает на той же частоте. Чтобы этого избежать, активируйте функцию MASK DPI. В режиме MASK DPI устройство маскирует только альтернативные частоты с разными информационными программами. В режиме MASK ALL устройство маскирует и информационные программы, и станции, не поддерживающие RDS.

**EON TA:** Выберите EON TA DX или LO. При выборе режима EON TA LOCAL если уровень мощности сигнала радиостанции из другой сети вещания меньше определенного порогового уровня, радиоприемник не переключается на эту станцию и пользователь не услышит никаких искажений.

**TA VOL:** Установите громкость сообщений о ситуации на дороге.

## Воспроизведение дисков/USB накопителей/корт памяти SD/MMC

### Примечания по USB/SD/MMC разъемам

Воспроизведение MP3 файлов с USB карт (флеш-память).

Поддержка карт памяти SD/MMC, 2в1 (SD/MMC).

Поддержка USB флеш-карты.

Поддержка FAT 12/ FAT 16/ FAT 32


- FAT 12/ 16 (поддержка 200 папок, 500 файлов),
- FAT 32 (поддержка 200 папок, 500 файлов).
- Имя файла: 32 байта/имя папки: 32 байта.

• Тэг (id3tag ver 2.0)

Имя/Исполнитель/Альбом: поддержка 32 байтов.

Многофункциональный карт-ридер не поддерживается.

Поддержка формата USB 2.0.

 USB: Поддержка формата USB 2.0.

Емкость: до 4 Гб.

SD/MMC: Для корректной работы устройства используйте лицензионные карты памяти известных производителей. Избегайте использования нелегальных карт памяти. Емкость: до 4 Гб.


### Загрузка/извлечение диска

Откройте переднюю панель и вставьте диск в слот маркированной стороной вверх. Диск автоматически загрузится в устройство. Начнется воспроизведение первого файла на диске или в корневом каталоге.

Откройте переднюю панель и нажмите кнопку EJECT, чтобы извлечь диск из устройства. Если диск не достать из слота в течение нескольких секунд, он будет автоматически загружен обратно в слот. При извлечении диска из слота устройство автоматически переключится в другой режим.

### Загрузка карты памяти SD/MMC/USB-накопителя


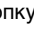
Откройте переднюю панель и вставьте карту памяти SD/MMC в слот для карт памяти. Откройте заглушку USB-порта на передней панели и вставьте USB-накопитель в порт. Режим работы устройства автоматически переключится на MMC/SD или USB. Начнется воспроизведение первого трека на установленном носителе.

 Если карта памяти и USB установлены в устройство одновременно, будет активен режим последнего установленного носителя.



### Остановка воспроизведения


Устройство автоматически начнет воспроизводить первый трек на установленном носителе (диск/SD/MMC/USB). Перед выполнением каких-либо операций дождитесь, пока устройство закончит чтение носителя. Для остановки воспроизведения нажмите кнопку MODE и выберите другой режим работы. Теперь, при обратном переключении в режим установленного носителя, устройство продолжит воспроизведение с того места, на котором оно было прервано.

### Воспроизведение предыдущего/следующего трека

Во время воспроизведения нажмите кнопку  для перехода к предыдущему треку или кнопку  для перехода к следующему треку.

### Перемотка вперед или назад

Нажмите и удерживайте кнопку  или  для перемотки вперед или назад. Отпустите кнопку, когда нужный фрагмент трека будет найден.

 Если при перемотке Вы достигли следующего или предыдущего трека, он будет воспроизводиться с нормальной скоростью.

## Режимы воспроизведения

Нажмите и удерживайте кнопку SEL, затем нажимайте ее несколько раз до отображения на дисплее FUNC. Вращайте регулятор VOLUME для выбора одного из режимов: SCAN/REPEAT/RANDOM/FUNC OFF (отключение режима) и нажмите кнопку OK для подтверждения.

Scan: ознакомительное воспроизведение (воспроизведение) нескольких начальных секунд каждого трека.

Repeat: повторное воспроизведение одного трека.

Random: воспроизведение всех треков в случайном порядке.

## Поиск файла/папки (для MP3/WMA файлов)

Функция поиска работает только для дисков, USB носителей и карт памяти, содержащих MP3/WMA файлы.

### • Поиск по номеру файла

Нажмите кнопку MEM один раз, чтобы активировать режим поиска по номеру файла; в середине дисплея будет мигать символ \*; теперь Вы можете выбрать номер файла для поиска. Вращайте регулятор VOLUME, чтобы выбрать первую цифру номера нужного файла (от 0 до 9). После того, как номер файла будет введен, нажмите кнопку BAND для запуска воспроизведения.

### • Поиск по имени файла

Нажмите кнопку MEM дважды; в левой части дисплея будет мигать символ \*. Вращайте регулятор VOLUME, чтобы ввести первую букву (A – Z) или цифру (0 – 9) имени нужного файла. Нажмите кнопку SEL для перехода к выбору следующего символа. После того, как ввод имени файла будет завершен, нажмите кнопку BAND для воспроизведения выбранного файла. Если файл с таким именем не будет найден, устройство вернется в режим выбора первого символа.

### • Поиск папки

Нажмите три раза кнопку MEM, на

дисплее отобразится надпись “ROOT”. Вращайте регулятор VOLUME, чтобы выбрать нужную папку.



Общее количество папок на носителе не должно превышать 10.

## Примечания по MP3 и WMA

- MP3 это краткое обозначение аудио слоя MPEG 3 и относится к стандарту технологии сжатия звука.
- Данное изделие позволяет воспроизводить файлы MP3 на дисках CD-ROM, CD-R или CD-RW.
- Изделие может считать файлы MP3, записанные в формате, соответствующем ISO 9660. Однако оно не поддерживает данные MP3, записанные методом пакетной записи.
- Изделие не может считать файлы MP3, которые имеют расширение файла, отличающееся от “.mp3”.
- Если вы воспроизводите не MP3 файл, который имеет расширение “.mp3”, вы можете слышать некоторые шумы.
- В данном руководстве рассматриваются файлы, называемые “файлами MP3” и “папкой”, а в технологии PC “дорожкой” и “альбомом” соответственно.
- Максимальное количество уровней директории равно 8, включая корневую директорию. Максимальное количество файлов и папок на диске 256.
- Изделие может не воспроизводить дорожки в последовательном порядке.
- Изделие воспроизводит только аудио треки, если диск содержит как аудио треки, так и файлы MP3.
- При воспроизведении диска 8 килобит или VBR, истекшее время воспроизведения в окне дисплея будет неправильным, а также ознакомительное воспроизведение может не действовать надлежащим образом. VBR: Переменная скорость передачи битов.
- Устройство поддерживает воспроизведение WMA файлов. Воспроизведение ID3 тегов для формата WMA не является гаран-

тированным, так как это зависит от версий и наличия кириллицы.

- WMA (Windows Media Audio) – формат сжатия музыкальных данных, созданный Microsoft Corporation. Формат использует алгоритмы кодирования для сжатия исходной аудиозаписи, значительно уменьшая размеры файла, но, сохраняя хорошее качество звука даже при низких (например, 64 Кбит/сек) скоростях передачи данных (битрейтах).

- Помните, что изделие может не воспроизводить треки в том порядке, в котором они записаны на диске.

### **Примечание по созданию собственных CD-R или CD-RW, содержащих файлы MP3**

- Для получения высокого качества звука мы рекомендуем преобразовывать файлы MP3 с эталонной частотой 44,1 кГц и фиксированным битрейтом 128 кбит/сек. Не сохраняйте более 256 файлов MP3 на диске.

- Для формата, совместимого с ISO 9660, максимально допустимая глубина вложенных папок равняется 8, включая корневую директорию (папку).

- При использовании диска CD-R воспроизведение возможно только для дисков, на которых закрыта сессия. Убедитесь, что при записи MP3 CD-R или CD-RW были отформатированы как диски данных, а не как аудио диски.

- Не рекомендуется записывать не-MP3 файлы или ненужные папки вместе с файлами MP3 на диск, в противном случае потребуется много времени, пока изделие начнет воспроизводить файлы MP3.

- На некоторых CD-R или CD-RW данные могут быть записаны особым образом. В этом случае данные могут быть воспроизведены не надлежащим образом. Рекомендуются диски CD-R или CD-RW высокого качества.

- Имя альбома или композиции может содержать до 16 символов. Необходима версия 1.x ID3TAG.

## Общая информация

### Обращение с компакт-дисками

- Не вставляйте в слот для загрузки компакт-диска ничего, кроме компакт-дисков.
- Не используйте диски с трещинами, отколотыми краями, деформированные диски или диски с другими повреждениями, поскольку такие диски могут вызвать искажение звука, шумы или повредить проигрыватель.
- Держите диск только за края (как показано на рисунке). Чтобы обеспечить чистоту диска, не прикасайтесь к его поверхности.
- Когда диски не используются, храните их в футлярах.
- Не подвергайте диски действию прямого солнечного света, повышенной влажности, повышенным температурам или действию пыли.
- Продолжительное влияние предельных температур (например, при пребывании дисков в автомобиле в летнее время) может деформировать диск.
- Не приклеивайте этикеток, не пишите и не наносите химических веществ на поверхность дисков.
- Не прикасайтесь к записанной поверхности дисков.
- Используйте только традиционные круглые диски диаметром 12 см. Не используйте диски необычной формы и нестандартного размера.

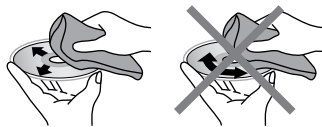


### Чистка дисков

Отпечатки пальцев должны быть тщательно стерты с поверхности диска мягкой тканью. В отличие от обычных пластинок, компакт-диски не имеют канавок для сбора пыли и микроскопических частиц грязи, поэтому осторожно вытирайте их мягкой

тканью, чтобы удалить частицы грязи. Вытирайте прямолинейным движением от центра к краю.

Не используйте растворитель, бензин, очиститель пластинок или антистатический аэрозоль для чистки дисков. Такие химические вещества могут повредить его пластиковые поверхности.



### Чистка корпуса устройства

Протирайте поверхности устройства мягкой тканью. Не мойте корпус. Если корпус очень загрязнен, используйте ткань, слегка смоченную мыльным раствором, и затем вытрите корпус сухой тканью.

### Комплект поставки

1. Ресивер ..... 1 шт
2. Передняя панель ..... 1 шт
3. Защитный футляр ..... 1 шт
4. Комплект ISO-адаптеров ..... 1 шт
6. Детали для установки:
  - Шестигранная гайка M5 T ..... 1 шт
  - Кожух ..... 1 шт
  - Ключ-съемник ..... 2 шт
  - Опорная планка ..... 1 шт
  - Плоская шайба ..... 1 шт
  - Декоративная рамка ..... 1 шт
  - Пружинная шайба ..... 2 шт
  - Винт (5X25 мм) ..... 1 шт
  - Болт ..... 4 шт
  - Заглушка ..... 1 шт
7. Информация для потребителя ..... 1 шт
8. Гарантийный талон ..... 1 шт
9. Инструкция по эксплуатации ..... 1 шт



## Руководство по устранению неисправностей

Ниже приводится таблица, в которой описаны простые проверки, способные помочь Вам устранить большую часть проблем, могущих возникнуть при использовании данного устройства. Если нижеуказанные меры не помогли, обратитесь в сервисный центр или к ближайшему дилеру.

Неисправность	Причина	Решение
Нет питания	Зажигание машины не включено.	Если источник питания подключен надлежащим образом к выключателю машины, установите ключ зажигания в положение "ACC".
	Сгорел предохранитель.	Замените предохранитель.
Нет звука	Уровень громкости звука установлен на минимум.	Отрегулируйте громкость звука до необходимого уровня.
	Кабель не подключен надлежащим образом.	Проверьте подключение кабеля.
Плохое качество звучания	Угол установки устройства более 30 градусов.	Отрегулируйте угол установки, установив его менее 30 градусов.
	Диск загрязнен или имеет дефект.	Очистите диск или используйте новый диск.
Диск не загружается или не извлекается из устройства	В устройстве уже есть диск.	Извлеките диск из устройства, затем установите новый диск.
	Конденсация влаги.	В течение часа не пользуйтесь устройством, затем повторите попытку.
Устройство не считывает диск	Диск установлен верхней стороной вниз.	Установите диск стороной с маркировкой вверх.
	Диск загрязнен или имеет дефект.	Очистите диск или установите новый.
	Температура внутри автомобиля очень высокая.	Подождите, пока температура не станет нормальной.
Не работают кнопки	Встроенный микрокомпьютер не работает надлежащим образом.	Выполните перезапуск устройство с помощью кнопки RESET.
	Передняя панель установлена некорректно.	Установите заново переднюю панель.
Радиоприемник не работает	Кабель антенны не подключен к устройству.	Подключите к устройству кабель антенны.

## Общая информация

Не работает автонастройка радиостанций	Радиостанции имеют слишком слабый сигнал.	Настраивайтесь на станции вручную.
Однократное отображение сообщения об ошибке (ERROR 1 – 11)	Возможна ошибка диска.	Выполните перезапуск устройства с помощью кнопки RESET. Убедитесь, что диск установлен в устройство правильно. Очистите или замените диск.
Повторяющееся отображение сообщения об ошибке (ERROR 1 – 11)	Ошибка в работе устройства.	Обратитесь в сервисный центр.

### Технические характеристики

#### Общие

Источник питания	12 В, постоянное
Максимальная выходная мощность	50 Вт x 4 канала
Потребляемый ток	макс. 10 А
Предохранитель	10 А
Размеры (Д x Ш x В)	178 x 50 x 165 мм
Диапазон температур	-20°C - +60°C
Электронная система стабилизации	40 с CD/ 120 с MP3/ 300 с WMA

#### Сtereo FM радио

Частотный диапазон	65.0 - 74.0/87.5 - 108.0 МГц
Сохраняемые станции	18
Используемая чувствительность	8 мкВ

#### MW радио

Частотный диапазон	522-1620 кГц
Сохраняемые станции	12
Используемая чувствительность	30 дБ

#### Плеер дисков

Система	Дисковая аудио система
Поддержка носителей	CD/CD-R/CD-RW/USB/SD/MMC
Воспроизведение форматов	CDDA/MP3/WMA
Частотные характеристики	20 Гц - 20 кГц
Угол установки	0 - +/-30°

#### Линейный выход

Выход	Линейный RCA-выход (2В)
-------	-------------------------

Технические характеристики могут быть изменены заводом-изготовителем без предварительного уведомления. Указанные геометрические размеры имеют приблизительные значения.



AI49

