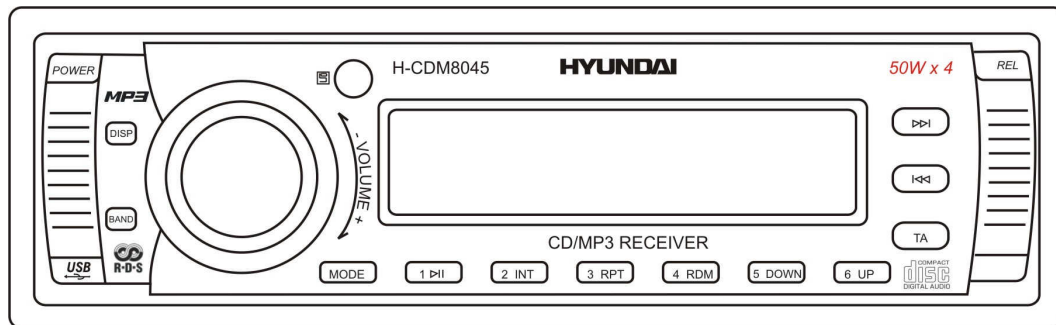
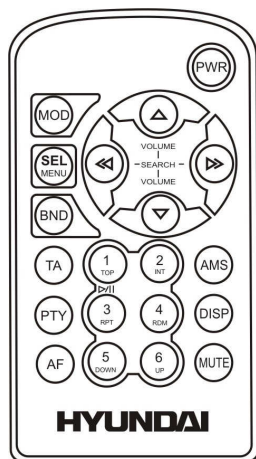


# HYUNDAI

## H- CDM8045



**MP3/CD/USB-RECEIVER**  
**Instruction manual**

**MP3/CD/USB-РЕСИВЕР**  
**Руководство по эксплуатации**

## Dear customer!

Thank you for purchasing our product. For safety, it is strongly recommended to read this manual carefully before connecting, operating and/or adjusting the product and keep the manual for reference in the future.

## Table of contents

---

Table of contents .....	2
Important safeguards .....	3
Installation/ connection.....	4
Panel controls .....	8
Remote control .....	11
General operation .....	14
Digital tuner .....	19
CD/ MP3/ USB operations.....	22
Anti-theft system .....	26
Handling discs .....	27
Cleaning .....	27
Troubleshooting guide .....	28
Specification.....	29

## **Important safeguards**

---

Using the device at temperature below -10°C may cause the breakage of the device. **BEFORE USING PLEASE HEAT UP THE PASSENGER COMPARTMENT TO THE RECOMMENDED TEMPERATURE!**

Read carefully through this manual to familiarize yourself with this high-quality sound system.

Disconnect the vehicle's negative battery terminal while mounting and connecting the unit.

When replacing the fuse, be sure to use one with an identical amperage rating. Using a fuse with a higher amperage rating may cause serious damage to the unit.

DO NOT attempt to disassemble the unit. Laser beams from the optical pickup are dangerous to the eyes.

Make sure that pins or other foreign objects do not get inside the unit; they may cause malfunctions, or create safety hazards such as electrical shock or laser beam exposure.

If you have parked the car for a long time in hot or cold weather, wait until the temperature in the car becomes normal before operating the unit.

DO NOT open covers and do not repair yourself. Consult the dealer or an experienced technician for help.

Make sure you disconnect the power supply and aerial if you will not be using the system for a long period or during a thunderstorm.

Make sure you disconnect the power supply if the system appears to be working incorrectly, is making an unusual sound, has a strange smell, has smoke emitting from it or liquids have got inside it. Have a qualified technician check the system.

The unit is designed for negative terminal of the battery, which is connected to the vehicle metal. Please confirm it before installation.

Do not allow the speaker wires to be shorted together when the unit is switched on. Otherwise it may overload or burn out the power amplifier.

Do not install the detachable panel before connecting the wire.

# Installation/ connection

## Attention:

REMOVE THE TRANSPORT CD STOPPER (2 SCREWS) BEFORE USE.

## Din front-mount (method 1)

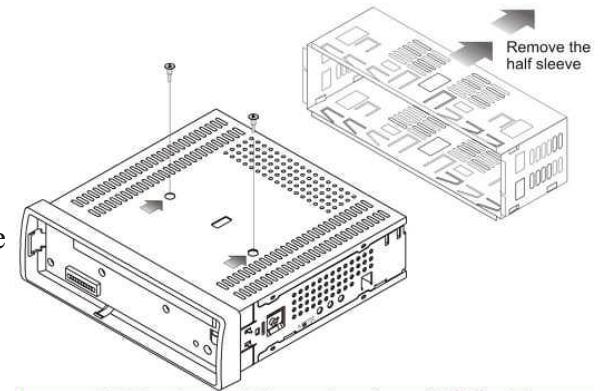
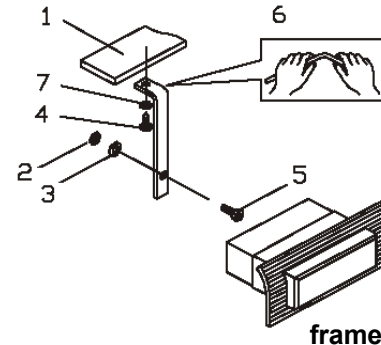
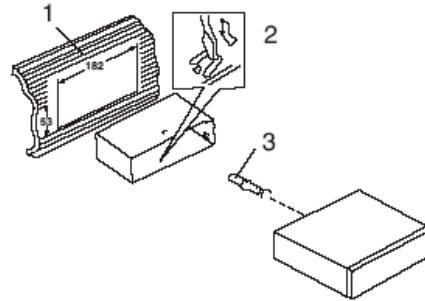
After inserting the holder into the dashboard, select the appropriate tab and bend them inwards to secure the holder in place.

Insert fingers into the groove in the front of frame and remove it.

Insert the levers supplied with the unit to the grooves at both sides.

The unit can be installed or removed from the dashboard.

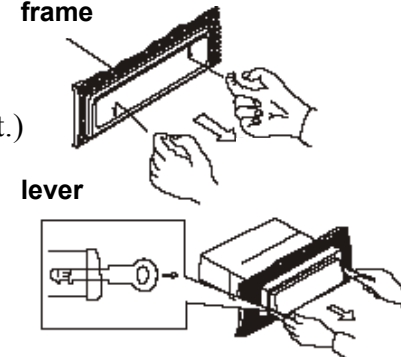
1. Dashboard
2. Nut (5mm)
3. Spring washer
4. Screw (5 x 25mm)
5. Screw
6. Strap
7. Plain washer



## Removing the unit

Insert fingers into the groove in the front of frame and pull out to remove the frame.  
(When reattaching the frame, point the side with a groove down wards and attach it.)

Insert the levers supplied with the unit into the grooves at both sides of the unit as shown in figure until they click. Pulling the levers makes it possible to remove the unit from the dashboard.



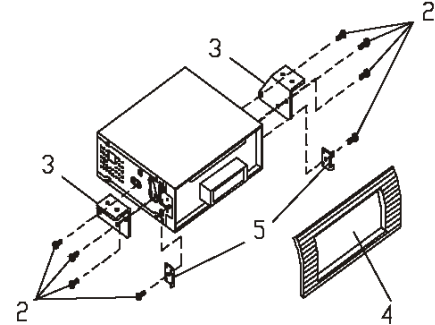
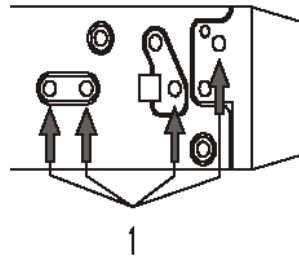
## Din rear-mount (method 2)

Installation using the screw holes at both sides of the unit.

1. Select a position where the screw holes of the main unit are fitted for aligned, and tighten the screws at 2 positions at each sides.

Use either truss screws (5 x 8mm) or flush surface screws (4 x 8mm), depending on the shape of the screw holes in the bracket.

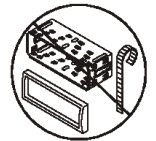
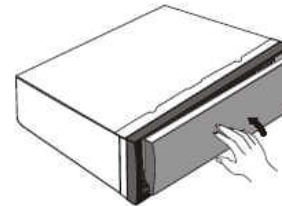
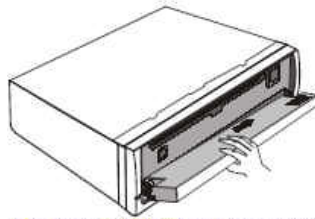
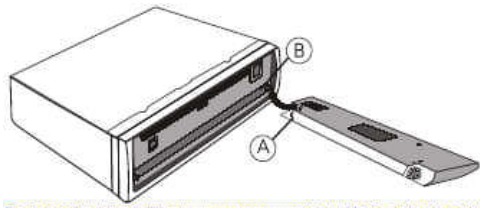
2. Screw.
3. Factory radio mounting bracket.
4. Dashboard or Console.
5. Hook (Remove this parts).



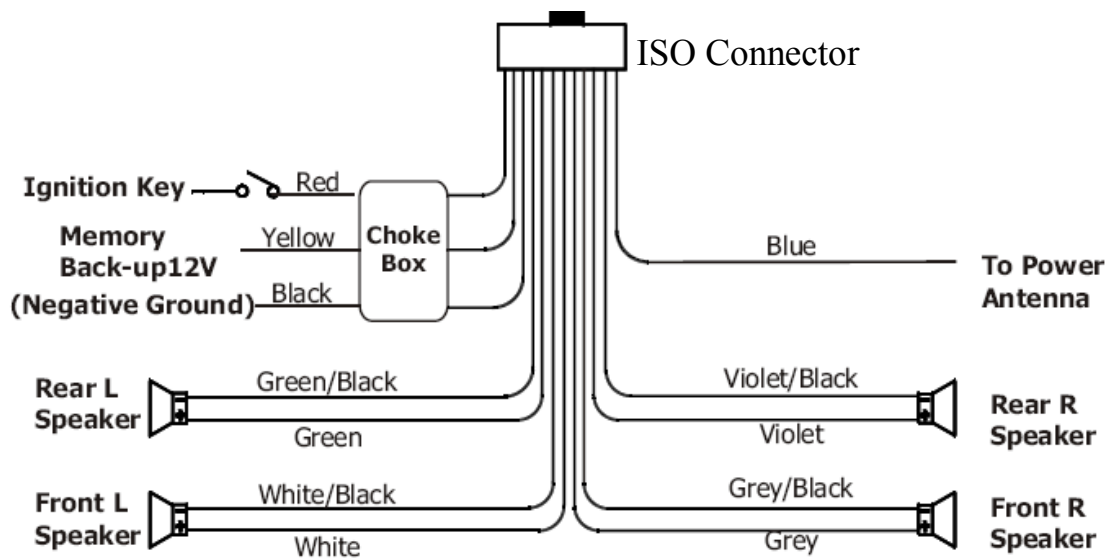
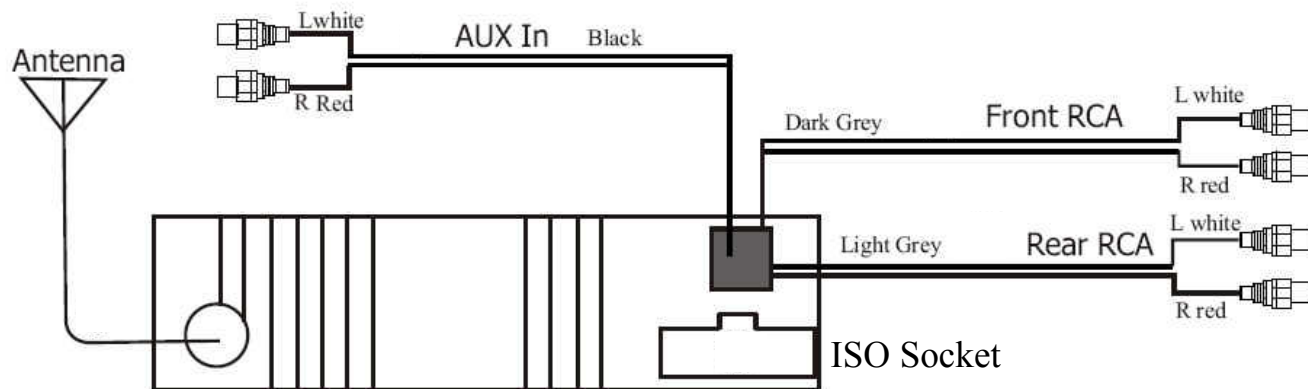
**Note:** The mounting box, outer trim ring, and the half-sleeve are not used for this method of installation.

## Install the front panel

Put notch A (shown on picture) onto shaft B. Slightly press onto the right side.



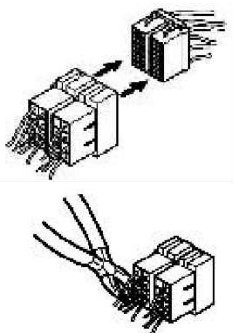
## Electrical connection



Do not interchange the connection of the wiring!!!

For some car models you may need to modify wiring of the supplied power cord. Contact your authorized car dealer before installing this unit.

### Using the ISO Connector



1. If your car is equipped with the ISO connector, then connect the ISO connectors as illustrated.

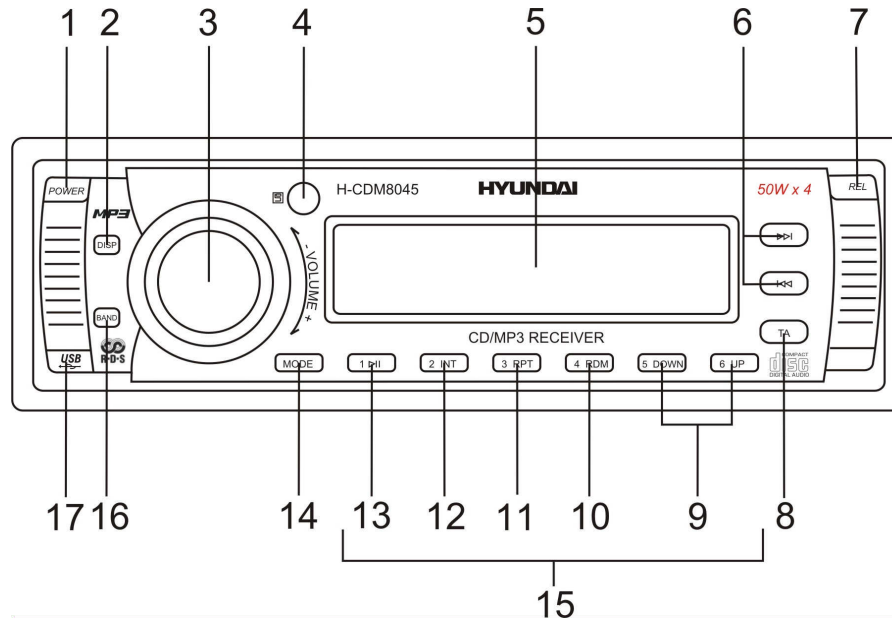
2. For connections without the ISO connectors, check the wiring in the vehicle carefully before connecting, incorrect connection may cause serious damage to this unit.

Cut the connector, connect the colored leads of the power cord to the car battery as shown in the color code table below for speaker and power cable connections.

Location	FUNCTION	
	Connector A	Connector B
1		Rear Right(+)--Purple
2		Rear Right(--Purple/Black Stripe
3		Front Right(+)--Gray
4	Battery 12V (+)/yellow	Front Right(--Gray/Black Stripe
5	Auto Antenna/blue	Front Left(+)--White
6		Front Left(--White/Black Stripe
7	ACC+/red	Rear Left(+)--Green
8	Ground/black	Rear Left(--Green/Black Stripe

# Panel controls

## Front panel



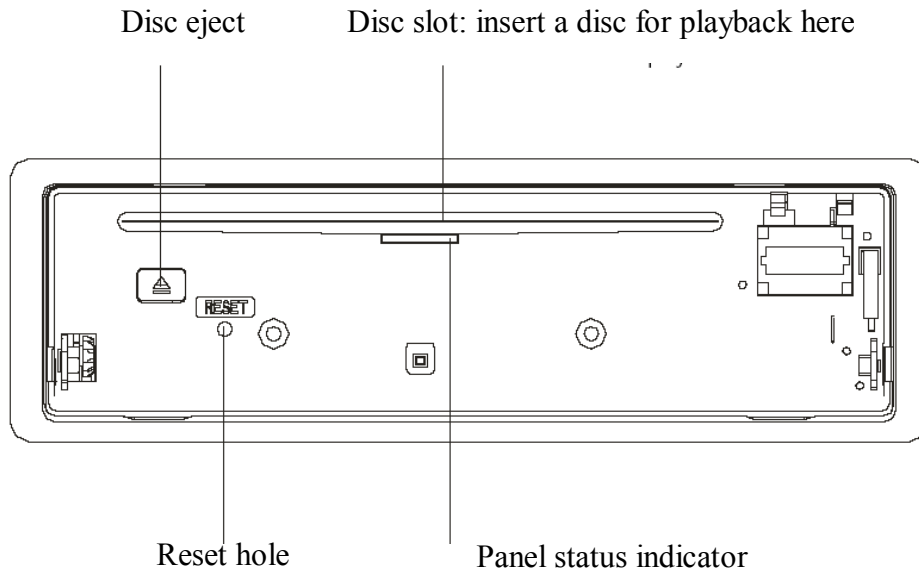
1. POWER button  
Press POWER button to turn the power on, press again to turn the power off.
2. DISP button  
Press it to display current mode.
3. VOLUME knob/ SEL button  
Rotate VOL button clockwise to increase the volume level; rotate anticlockwise to decrease the volume level.  
Press SEL button to set the characteristics.
4. Infrared sensor
5. LCD (LIQUID CRYSTAL DISPLAY)



6. NEXT ►►/ PREVIOUS ◀◀ buttons  
Use these buttons to search for the beginnings of the next/ previous tracks or manual seek tuning.
7. REL button  
Press it to flip down the front panel and you can insert the disc into the compartment or press the EJECT button to eject the disc from the disc compartment.
8. TA button  
Shortly press it to activate the TA function.
9. UP/ DOWN buttons (▲, ▼)
10. RDM button  
Press it to start random playing.
11. RPT button  
Use this button to play current/ all tracks repeatedly.
12. INT button  
Press it to start intro playing (10 seconds).
13. PLAY/ PAUSE button  
Use this button to play or pause playback. Under the pause status, press it to play.
14. PRESET STATION [1-6] buttons
15. MODE button  
Press to select radio mode or playback mode.
16. BAND (ID3) button  
Press it repeatedly to select your desired radio band during RADIO mode.
17. USB socket

## Back of the front panel

Press the REL button to open the panel and press EJECT button to eject the disc.



**Note:** Pressing the RESET hole will erase the clock setting and stored stations.

Panel status indicator lights up when you slide the panel down; flashes when you remove the panel.

# Remote control

1. MOD button  
Press to select your desired modes.
2. SEL/ MENU button  
Repeatedly press SEL/MENU to select modes.  
During disc playback, press it to display the root menu of the disc.
3. BAND button  
During radio mode, press to select bands.
4. TA button  
Press it to activate the traffic alarm function.
5. PTY button  
Press it to select program type.
6. AF button  
Press it to select the RDS station.
7. 0~6 number buttons  
During radio mode, press 1-6 buttons to select the preset stations; during playback mode, press to select track directly.

PLAY/ PAUSE

TOP

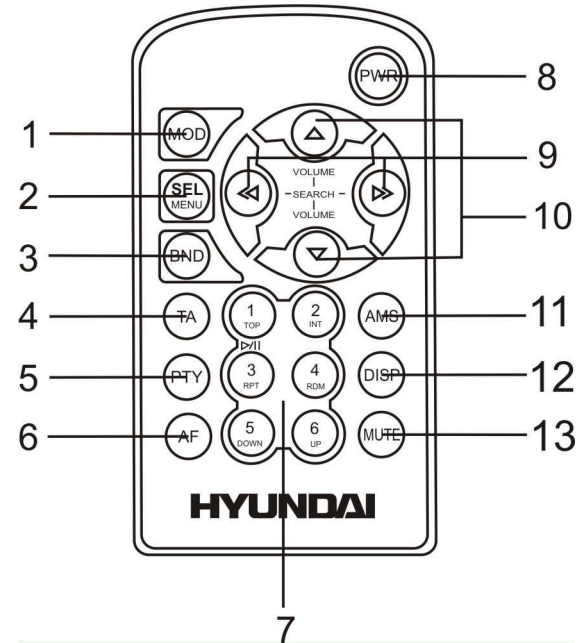
INT

RPT

RDM

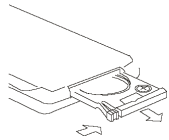
DOWN

UP

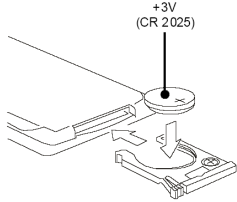


8. PWR button  
Press to turn on or off the unit.
9. ◀◀ (PREVIOUS/ F.R), ▶▶ (NEXT/ F.F) buttons  
During radio mode, press it to select the stations. Keep pressing it for more then 3 seconds to select stations automatically.  
During disk playback mode, press to select tracks backward or forward. Press and hold it to play tracks fast backward or forward.
10. ▲, ▼ VOLUME buttons  
Press it to adjust volume level.
11. AMS button  
During radio status, shortly pressing it to scan the each stored station 5 seconds; keep pressing it to activate the AMS function.
12. DISP button  
Press to display the time.
13. MUTE button  
Press to turn the sound off. Press it again to turn it on.

## Changing the battery



1. Press the catch and at the same time pull out the battery tray.



2. Insert the 1 x lithium battery, type CR 2025 3V battery with the stamped (+) mark facing upward. Insert the battery tray into the remote control.

**Warning:** Store the battery where children cannot reach. If a child accidentally swallows the battery, consult a doctor immediately.

Do not recharge, short, disassemble or heat the battery or dispose it in a fire.

Do not expose or bring into contact the battery with other metallic materials. Doing this may cause the battery to give off heat, crack or start a fire.

When throwing away or saving the battery, wrap it in tape and insulate; otherwise, the battery may give off heat, crack or start a fire.

# General operation

---

## Reset the unit

Operating the unit for the first time or after replacing the car battery, you must reset the unit.

Press REL button on the panel to open the panel and press the RESET hole with a point object to restore the unit to the original factory settings.

## Power button

Press PWR button on the RC or POWER on the front panel to turn on the unit.

Press it to switch the set off.

**Note:** After the unit is off, the volume level is rized during the area between 6 and 30. If the volume level is set less than 6, it will resume to 6; if it is higher than 30, it will resume to 30; if it is between 6 and 30, it still stores in the status which you set.

## Volume control

### **Volume adjust**

Press the VOLUME (▲, ▼) buttons on the RC or rotate the VOLUME knob on the panel to adjust the volume level.

### **Setting the sound characteristics**

Press repeatedly the SEL button on the remote controller or VOLUME knob on the front panel to select the audio mode such as VOL (volume), BAS (bass), TRE (treble), BAL (balance), FAD (fader), then press the ▲, ▼ buttons on the front panel or the remote controller to adjust the settings for each mode.

### **Note:**

If turning off the power all the settings of each mode will be saved.

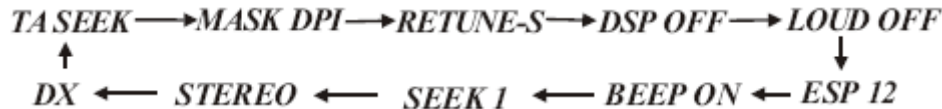
If turning off the ACC power all the settings will become as they were set on the plant as current.

If you don't adjust VOL buttons within 3 seconds after selecting the desired mode, the unit will automatically return to the current mode being displayed.

When EQ mode is activated, press SEL button to select modes: VOL/ BAL/ FAD.  
BAS/ TRE are invalid.

### Setting other characteristics

During FM mode, keep pressing SEL button on the remote controller or VOLUME knob on the front panel for 3 seconds to enter another selective mode in the following order:



#### a. TA (Traffic Announcement) mode

To determine what action will the radio take if the newly tuned station does not receive TP (Transport Program) information for 5 seconds. Press the VOLUME (▲, ▼) buttons on the RC or rotate the VOLUME knob on the panel to select the desired mode: TA ALARM and TA SEEK.

- TA SEEK

During searching the radio retunes to a different station, which contains TP information.

- TA ALARM

During searching the radio does not retune but the "NO TP, TA" will be blinking on the display.

#### b. Mask mode

“PI” is referred to “Different PI (Program Information) with same AF (Alternative Frequency)”.

During AF search, PI stations and non-RDS (Radio Data Station) stations with strong signal will be masked, in the latter case, the non-RDS stations may cause interference, resulting the real AF to be masked due to the misjudgment of the radio under interference. Press the VOLUME (▲, ▼) buttons on the RC or rotate the VOLUME knob on the panel to select the desired mode: MASK DPI M and MASK ALL.

- MASK DPI

To mask only the AF with different PI.

- MASK ALL  
To mask both PI and strong signal non-RDS station.
- c. Retune L, retune S  
To determine the initial time of automatic TA (Traffic Announcement) search.  
There are 2 modes: RETUNE L and RETUNE L.
  - RETUNE L: 180 seconds.
  - RETUNE S: 45 seconds.**Note:** Retune mode is active for TA SEEK mode only.
- d. DSP mode  
DSP OFF > POP > ROCK > CLASS > FLAT.  
At DSP OFF mode preset equalizer will be controlled by Bass/ Treble setting.
- d. Loud mode  
Use this mode to increase bass output (LOUD ON).
- e. ESP mode (Electronic Shock Protection)  
You can select the second of ESP as follow:
  - ESP 12 second: for normal road condition.
  - ESP 45 second: for road condition extremely unusual.
- f. Beep mode  
There are 2 modes: BEEP ON and BEEP OFF.
  - BEEP OFF: disable audible beep tone when any function is accessed.
  - BEEP ON: enable audible beep tone.
- g. Seek mode (Seek 1/ Seek 2)  
You can choose from Seek tuning mode 1 and mode 2 by using Volume control.  
While the desired Seek tuning mode is selected, the following operations can be performed:
  - SEEK1: Press the Tuning up/ down button briefly to increase or decrease the frequency by 1 step size.  
Press and hold the Tuning up/ down button to seek the band in up or down direction and stop when a



station is received.

- SEEK2: Press the Tuning up/ down button briefly to increase or decrease the frequency by 1 step size. Press and hold the Tuning up/ down button increase or decrease the frequency rapidly until the button is released, the different between the same operation at Seek 1 mode is that this time the radio will not stop at any station.
- h. Stereo mode  
Use this mode to select STEREO or MONO reception for FM radio stations. You can sometimes improve reception of distant stations by selecting mono mode.
- i. LOC/DX mode  
Use this mode to change between LOCAL and DISTANT (DX) tuning mode. Local mode improves reception in some areas where the signal is too strong.

### Turning the sound off

Press the MUTE button on the RC to turn the sound off. Press it again or use the VOLUME buttons to turn the sound on.

### Setting the time

Displaying time: Press DISP button on the RC or on the panel to display the current time on the LCD, it returns to original after 3 seconds.

Setting time: Press and hold DISP button on the RC or on the panel until the two points in the middle of the clock stop blinking, you can rotate VOLUME button on the panel or press ▲, ▼ buttons on the RC to adjust hours. Press DISP, the minutes blink, rotate VOLUME button on the panel or press ▲, ▼ buttons on the RC to adjust minutes. Press DISP again to confirm.

**Note:** After receiving a station, if the current time is not the same as the RDS' (Radio Data System), the time of RDS will adjust to the current.

## Mode setting

Press the MOD button on the RC or MODE button on the panel to select TUNER, S-CDP (single disc playback), USB DRIV modes.

If you select TUNER mode, press BAND once or more to select FM1, FM2, FM3, FM4 (OIRT), AM1, AM2.

## Digital tuner

---

**Note:** RDS (Radio Data System) service availability varies with areas. Please understand if RDS service is not available in you area, the following service is not available, either.

### Band selection

Press POWER to power on, then press the MOD button on the RC or MODE button on the panel once or more to select TUNER.

Press BND on the RC or BAND on the panel once or more to select:  
FM1, FM2, FM3, FM4 (OIRT), AM1, AM2 (for 2 bands).

### Manual/ automatic tuning

Manual tuning: press the ◀▶ on the panel or ◀▶ on the RC continuously to select a station downward or upward, release button when the frequency in the display starts running, the radio automatically tunes to a station of sufficient reception.

Repeat if necessary until you find the desired station.

Automatic tuning: Press and hold the ◀▶ on the panel or ◀▶ on the RC continuously, the automatic search will start. It will play when finds the station.

### Programming tuner stations

You can store up to a total of 36 radio stations in the memory (18 FM, 12 AM), manually or automatically.

To store a station:

- Select a band (if needed)
- Select a station by ◀▶ or ◀▶ buttons
- Hold a Preset button (1-6) which you want store the station for at least 2 seconds.

To recall a station:

- Select a band (if needed)
- Press a Preset button (1-6) briefly to recall the stored station

OR:

During radio mode press the ◀/ ▶ buttons on the RC to select upward or downward stored stations.

### AMS function (Auto Memory Store)

Preset scan: press AMS button for less than 1 second to scan all preset stations in the memories of the current band and stay on each memory stations for about 5 seconds. The memory location indicator on the LCD will flash during the process. To stop preset scan, press AMS button again.

Auto memory store: press AMS button for more than 1 second to enter auto store mode. The radio will automatically store 6 stations to the 6 preset memories of the current band. To stop auto store, press AMS button again.

### AF function (Alternative Frequencies)

Press AF button on the RC to turn on or turn off the AF function. The RDS program will be automatically searched and received. After turning on, if the RDS signal is weak or even no signal, the unit will search another frequency with this RDS program.

Press and hold AF button for one second, the unit will be under REGION ON or REGION OFF mode:

REGION ON: PI code will be searched during AF searching;

REGION OFF: PI code and covered area will not be searched.

## PTY (Program Type) function

Press PTY button, if no other button is pressed in 10 seconds, the unit will begin to search the program you received last time.

If no program is received, LCD displays NO PTY.

Press PTY the first time, then press the number buttons, you can select the music program style.

Press PTY the second time, then press the number buttons, you can select the language program style.

To choose the desired program style use the following table:

Button Number	Music Group	Speech Group
1	POP, ROCK	NEWS, AFFAIRS, INFO
2	EASY, LIGHT	SPORT, EDUCATE, DRAMA
3	CLASSICS,	CULTURE, SCIENCE, VARIED
4	JAZZ, COUNTRY	WEATHER, FINANCE, CHILDREN
5	NATION, OLDIES	SOCIAL, RELIGION, PHONE IN
6	FOLK	TRAVEL, LEISURE, DOCUMENT

## TA (Traffic Alarm) function

Keep pressing TA button, LCD shows TA, traffic program will be automatically searched and saved, LCD shows TP, the program is received. If no traffic program is received during specified time, under TA ALARM status, LCD shows NO TA/TP; under TA SEEK status, the unit will go on searching until it finds one.

**Note:** This function is also valid during playback mode.

When switching to TA mode, if the volume level is under 20, it will raise to 20 automatically, but after skipping TA mode, it will return to initial status; if the volume level is above 20, it remains at this level.

## **CD/ MP3/ USB operations**

---

### **Loading a disc**

1. Press REL button on the panel to slide down the panel. Insert the disc with the printed side facing upward into the slot.
2. Press REL button to slide down the panel. Press EJECT button on the panel to eject the disc.

### **Playing a disc**

When the disc has been already loaded press MOD button on the RC or MODE on the panel to start playback. Playback starts from the beginning of the 1st track automatically.

To ensure good system performance, wait until the unit finishes reading the disc information before proceeding.

### **Pausing playback**

When pressing the PLAY/ PAUSE button on the panel or RC during playback, pause mode is set. Press again to resume playback.

### **Playing the previous/ next track**

1. During playback press **⏮** **⏪** button to play the previous track.
2. Press **⏭** **⏩** button to play the next track.

### **Scanning forward and backward**

Press the **⏮** **⏪** or **⏭** **⏩** buttons to fast the playing in backward or forward direction.

**Note:** During the disc playback when Fast/ Reverse Playback gets to the beginning of the playing another track, it resumes normal playback.

## Repeat playing

Press the RPT button on the panel or RC to repeat current track. Press it again to cancel the function. The default setting is DISC REPEAT.

## Inserting the number of track

Press the number buttons on the RC or on the panel to input the desired tracks.

Use the 5 button to go backward to the tenth track before the current track, for example: current track is 32. Press 5 to go to No.30 track.

Use the 6 button to go forward to the tenth track after the current track, for example: current track is 32. Press 6 to go to No. 40 track.

Use the <</ >> buttons on the RC or <<</ >>> buttons on the panel to go to the previous/ next track by one.

## Random playback

You can play all the tracks in random order.

1. During disc playback, press the RDM button on RC or the panel.
2. Press again to select normal playback.

## Intro play

You can play the beginning of every track for 10 seconds in sequence.

1. During playback, press the INT button on the panel or RC once. The display shows the track number and the time elapsed.
2. Press again to select the current track.

## Search function

During MP3/USB mode, searching tracks can be achieved through track search, file search and character search by using (SEL) button, (AMS) button and

### **Track search**

For example: Find the track NO.131 on the disc:

1. Press AMS button once to enter the initial searching mode, LCD shows TRK SCH.
2. Press SEL button, LCD shows TRK 001, the third number 1 blinks per 0.5 seconds.
3. Press ▲, ▼ buttons, make the first number 1 change to the required number;
4. Press SEL button to select the second number, 0 will blink per 0.5 seconds.
5. Press ▲, ▼ buttons, make the second number 0 change to the required number;
6. Choose the same way the third number if needed, and press the SEL button to start playback.

### **File search**

For example: The structure of the tracks in the disc is as follows, find the “3.mp3” track in 3 areas through file search.

1. Press AMS button twice, LCD shows FILE SCH.
2. Press SEL button to enter into file searching mode. The first folder will be blinking on LCD (for example CD.01).
3. Press ▲ until the required CD appears on LCD.
4. Press SEL to enter it. 01 (the first track in the required folder) will be blinking on LCD.
5. Press ▲ until the required track will be blinking on LCD.
6. Press AMS button, the selected track will be played.



## **Character search**

1. Press AMS button three times, LCD shows CHAR SCH.
2. Press SEL button to enter into character searching mode. LCD shows blinking A button.
3. Press SEL until required letter blinking on LCD.
4. Press SEL button to enter into selected folder files. The display will show CA, A is the last letter in the name, it will be blinking. (Now if you press the SEL button, the first track of the folder selected will start to play)
5. Press SEL button until LCD shows required word.
6. Press SEL button, selected track will be played.

**Note:** In order to predigest instruction, the example only contains several character files; in actual operation, character search will be carried out on the principle above pursuant the sequence of the alphabet.

## **Finish working with USB**

During USB mode, the main unit would switch to TUNER mode directly when exit the USB.

During CD/ MP3 or TUNER mode, the main unit will keep the previous mode when exit the USB.

**Note:** Fit on the harness rubber after exiting the USB.

# Anti-theft system

---

## Remove the panel

1. Press POWER button to switch off the power of the unit.
2. Press REL button to flip down the panel.
3. Hold the middle of the panel. Take off one end, and then take off the other end.
4. Place the panel into the case and take it with you when you leave the car.

## Remove the unit

1. Remove the panel and the trim plate.
2. Insert both T-Keys into hole on the front of the set until they lock.
3. Pull out the unit.

## Handling discs

---

Dirty, scratched or warped discs may cause skip ping or noise.

Handle the disc only by the edges. To keep clean do not touch its surface.

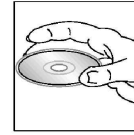
Discs should be stored in their cases after use to avoid scratches.

Do not expose discs to direct sunlight, high humidity, high temperature or dust.

Prolonged exposure to extreme temperature can warp the disc (such as leaving the discs in your car during summertime).

Do not stick or write anything on either side of disc. Sharp writing instruments, or the inks used in some felt-tip pens, may damage its surface.

DO NOT touch the unlabeled side. DO NOT attach any seal, label or data protection sheet to either side of a disc.



## Cleaning

---

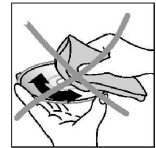
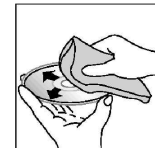
### Cleaning the cabinet

Wipe with a soft cloth. If the cabinet is very dampen (not dropping wet) the cloth with a weak solution of soapy water, and then wipe clean.

### Cleaning discs

Fingerprints should be carefully wiped from the surface of disc with a soft cloth. Unlike conventional records, compact discs have no grooves to collect dust and macroscopic dirt, so gently wiping them with a soft cloth should remove most panicles. Wipe in a straight motion from the center to the edge.

Never use thinner benzine, record cleaner or anti static spray on a compact disc. Such chemicals can damage its plastic surface.



## Troubleshooting guide

---

Symptom	Cause	Solution
General No power	The car ignition is not on. The fuse is blown.	If the power supply is properly connected to the car accessory switch the ignition key to "ACC". Replace the fuse.
Disc Disc cannot be loaded.	Presence of disc inside the player.	Remove the disc in the player then put a new upward.
Disc cannot be read.	Inserting the disc in upside down. Compact disc is extremely dirty or defective. Temperature inside the car is too high.	Insert the compact disc with the label facing upward. Clean the disc or try to play a new one. Cool off until the ambient temperature returns to normal.
No sound	Volume is in minimum. Wiring is not properly connected.	Adjust volume to a desired level. Check wiring connection.
The operation keys do not work.	The built-in microcomputer is not operating properly due to noise. Front panel is not properly fix into its place.	Press the RESET button. Reinstall the front panel.
Sound skips.	The installation angle is more than 30 degrees. The disc is extremely dirty or defective.	Adjust the installation angle to less than 30 degrees. Clean the compact disc/try to play a new one.
The radio does not work, the radio station automatic selection does not work.	The antenna cable is not connected the signals are too weak.	Insert the antenna cable firmly select a station manually.

## Specification

---

General. Power supply:	14.4V DC
Current consumption/Fuse:	max. 15A/ 15 A
Maximum power output:	50Wx4 channels
Dimensions (W x H x D)	178 x 50 x 192 mm
Working temperature range:	-10°C - +60°C
FM Stereo Radio. Frequency range:	65.0 – 74.0/87.5 - 108.0 MHz
Usable sensitivity/ I.F. Frequency:	15 dB uV/ 10.7 MHz
MW Section. Frequency range:	522 kHz-1620 kHz
Audio Specification	
Maximum Output	2Vrms(+/-3dB)
Frequency Response	5Hz to 20KHz
S/N Ratio(A-vtd)/ Separation	65dB/ 60dB
Line out. Output:	CD max 2000 mV

**Specifications are subject to change without notice. Mass and dimension are approximate.**

## Уважаемый покупатель!

Благодарим Вас за покупку нашего изделия. Для обеспечения безопасности рекомендуется тщательно изучить настоящее руководство перед подключением, эксплуатацией и/или регулировкой изделия, и сохраняйте руководство для использования в будущем.

## Содержание

---

Содержание.....	30
Меры предосторожности.....	31
Установка/ подключение.....	32
Органы управления .....	36
Пульт управления .....	39
Основные операции.....	42
Цифровой тюнер.....	47
Воспроизведение файлов CD/ MP3/ USB.....	50
Система против кражи .....	54
Обращение с дисками.....	55
Чистка и уход.....	56
Руководство по устранению неисправностей.....	57
Технические характеристики .....	58

## Меры предосторожности

---

Использование данного устройства при температуре ниже  $-10^{\circ}\text{C}$  может привести к поломке. **ПЕРЕД ИСПОЛЬЗОВАНИЕМ ПРЕДВАРИТЕЛЬНО ПРОГРЕЙТЕ САЛОН АВТОМОБИЛЯ ДО РЕКОМЕНДОВАННОЙ ТЕМПЕРАТУРЫ!**

Тщательно изучите настоящую инструкцию, чтобы ознакомиться с высококачественной аудиосистемой.

При установке и подключении изделия отключите отрицательную клемму аккумулятора автомобиля. При замене предохранителя, убедитесь, что вы устанавливаете предохранитель с тем же номиналом. Используя предохранитель с повышенным значением тока, можно причинить значительные повреждения изделию.

Не пытайтесь разбирать изделие. Лазерные лучи, исходящие из блока оптической головки считывания информации с компакт-диска, опасны для глаз.

Убедитесь, что шпильки или другие посторонние предметы не попали внутрь изделия. Они могут вызвать сбой в работе или стать причиной опасности, такой, как поражение электрическим током или лазерным лучом.

Если вы ставите автомобиль на стоянку на длительное время в жаркое или холодное время года, подождите, пока температура в автомобиле не станет нормальной, перед тем как включать изделие.

**НЕ** открывайте крышки и не проводите ремонт самостоятельно. Обратитесь к дилеру или квалифицированному персоналу

Убедитесь, вы отключаете источник питания и антенну, если вы не будете пользоваться системой в течение длительного времени или во время грозы.

Убедитесь, что вы отключаете источник питания, если обнаружена неправильная работа системы, система издает необычные звуки, запах, выделяет дым или внутрь ее попала жидкость. Проведите квалифицированный технический осмотр системы.

Прибор разработан так, чтобы отрицательный вывод аккумулятора был подключен к корпусу транспортного средства. Пожалуйста, убедитесь в этом перед установкой.

Не позволяйте проводам динамиков касаться друг друга при включении прибора. В противном случае, может быть перегружен или выйти из строя усилитель питания.

Не устанавливайте съемную панель перед подключением кабеля.

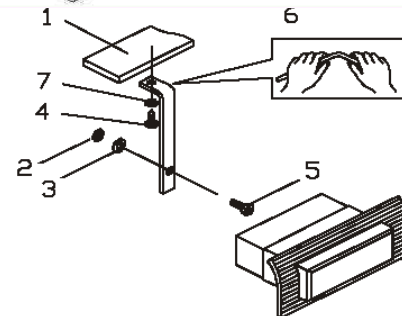
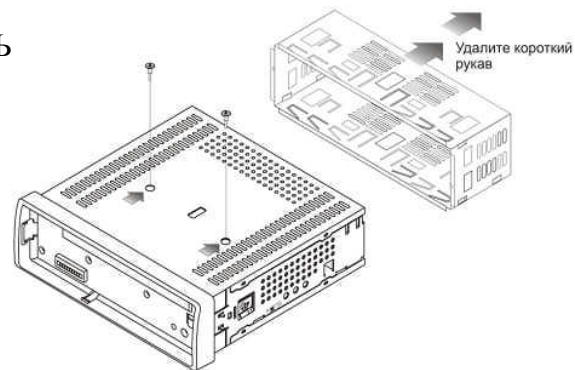
# Установка/ подключение

**Внимание:** ПЕРЕД ПОДКЛЮЧЕНИЕМ НЕОБХОДИМО УДАЛИТЬ ДВА CD ДЕРЖАТЕЛЯ ИЗ ВЕРХНЕЙ ЧАСТИ УСТРОЙСТВА.

## Первый вариант установки

После установки кожуха автомагнитолы в приборную панель автомобиля выберите на кожухе те металлические язычки, которые соответствуют толщине приборной панели, и отогните их, чтобы зафиксировать кожух на месте.

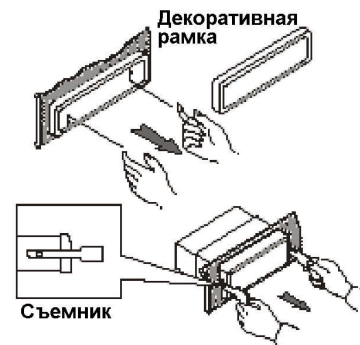
1. Приборная панель автомобиля
2. Гайка (5 мм)
3. Пружинная шайба
4. Винт (5 x 25 мм)
5. Винт
6. Металлическая планка
7. Плоская шайба



## **Снятие магнитолы**

Вставьте пальцы в выемки на передней стороне рамки и вытяните рамку на себя. (При установке декоративной рамки на место направьте сторону с выемками вниз и установите рамку.)

Вставьте съемники, входящие в комплект магнитолы, в пазы на обеих сторонах устройства, как показано на рисунке, чтобы они зафиксировались со щелчком. Для того, чтобы вынуть магнитолу из приборной панели автомобиля, потяните за съемники на себя.



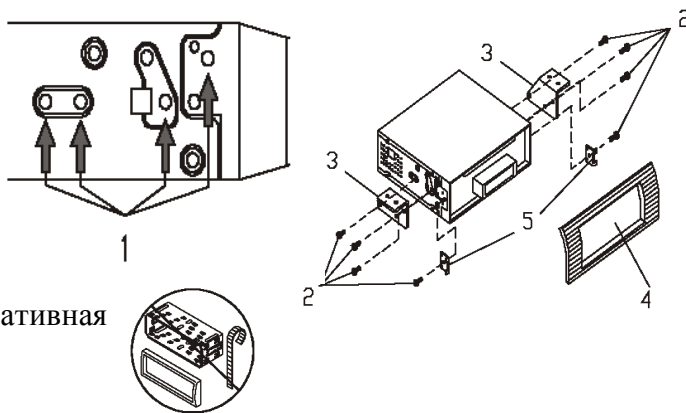


## Второй вариант установки

Данный вариант установки предусматривает использование резьбовых отверстий, которые находятся на боковых панелях магнитолы.

Закрепите магнитолу на крепежных кронштейнах штатного радиоприемника.

1. Выберите положение кронштейнов, при котором будут совмещены резьбовые отверстия на кронштейнах и резьбовые соединения на корпусе магнитолы. Закрепите кронштейны с обеих сторон магнитолы не менее чем в двух местах. Для этого используйте либо крепежные винты (5 x 8 мм), либо винты с потайной головкой (4 x 8 мм), в зависимости от типа резьбовых отверстий на кронштейне.
2. Винт.
3. Крепежные кронштейны штатного радиоприемника.
4. Приборная панель или консоль автомобиля.
5. Скоба (необходимо удалить).

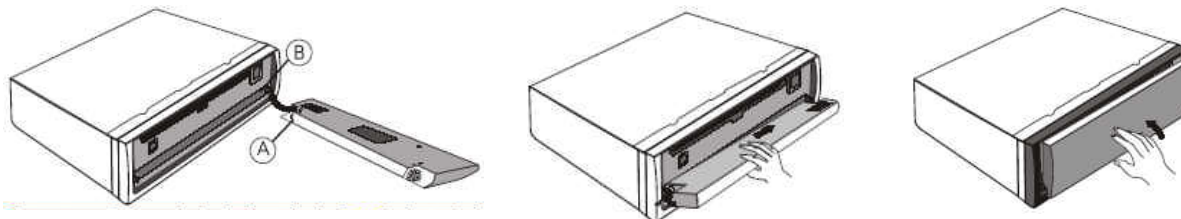


### **Примечание:**

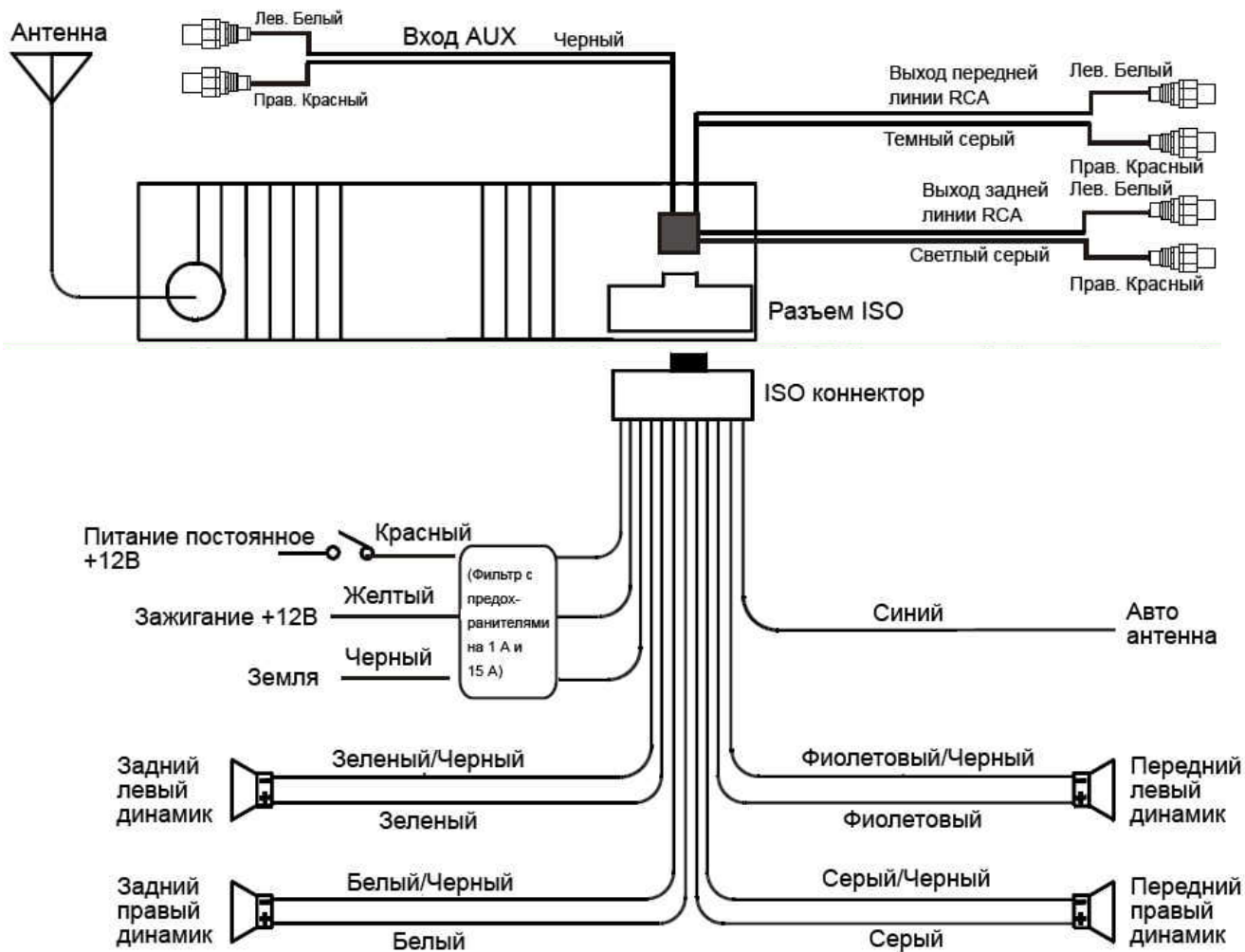
При установке магнитолы по второму методу кожух, декоративная внешняя рамка и металлическая планка не используются.

### Съемная панель

Установите кронштейн А в левой части панели в паз В, как показано на рисунке. Закрепите панель, аккуратно нажав на нее по стрелке. Приведите панель в вертикальное положение.



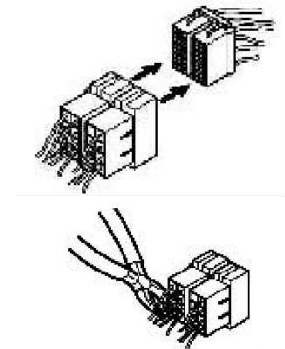
## Схема электрических соединений



Не меняйте соединение красного и желтого проводов!!!

Для некоторых моделей необходимо будет изменить соединение проводов питания. Перед установкой свяжитесь с Вашим региональным дилером.

### Использование разъема ISO

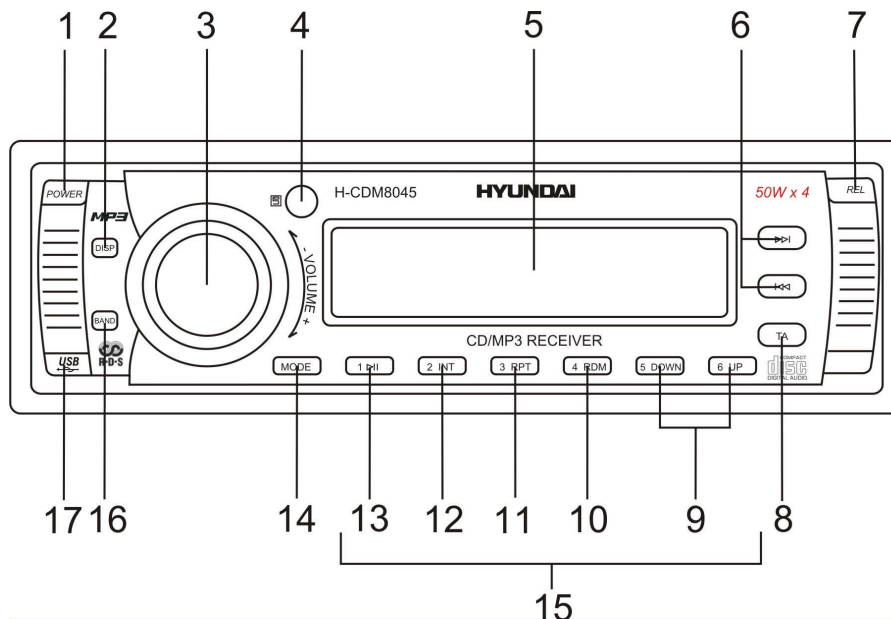


1. Если в Вашем автомобиле есть разъем ISO, произведите подключение, как показано на рисунке.
2. Для подключений без разъемов ISO внимательно проверьте все провода перед подключением, неправильное подключение может привести к повреждениям изделия.  
Обрежьте разъем, подключите цветные головки разъема к шнуру питания батареи в соответствии с приведенной таблицей.

Номер	Функция	
	Разъем А	Разъем В
1		Задний правый(+)--Фиолетовый
2		Задний правый(--Фиолетовый/Черный
3		Передний правый(+)--Серый
4	Питание 12В (+)/желтый	Передний правый(--Серый/Черный
5	Авто антенна /синий	Передний левый(+)--Белый
6		Передний левый((-)--Белый/Черный
7	АСС+/красный	Задний левый(+)--Зеленый
8	Земля/черный	Задний левый(--Зеленый/Черный

# Органы управления

## Передняя панель



1. Кнопка POWER  
Нажмите на кнопку POWER, чтобы включить питание устройства. Нажимайте на кнопку еще раз, чтобы выключить его.
2. Кнопка DISP  
Нажмите на кнопку, чтобы отобразить на дисплее текущий режим.
3. Регулятор громкости/ Кнопка SEL.  
Вращайте регулятор громкости, чтобы настроить уровень громкости.  
Нажмите на него, чтобы отрегулировать настройки.
4. ИК сенсор.
5. Жидкокристаллический дисплей.

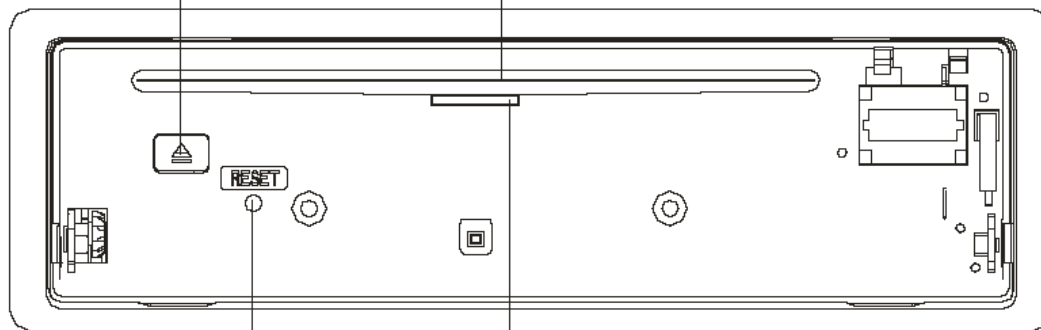
6. Кнопки СЛЕДУЮЩИЙ ►►/ ПРЕДЫДУЩИЙ ◄◄  
Нажимайте на кнопки для поиска радиостанций/ перехода к началу следующего или предыдущего трека/ ускоренного просмотра вперед или назад.
7. Кнопка REL  
Нажмите на кнопку, чтобы открыть панель и установить диск. Вытащите диск при помощи кнопки EJECT на внутренней панели.
8. Кнопка TA  
Нажмите на кнопку, чтобы включить функцию TA (дорожных объявлений).
9. Кнопки ВВЕРХ/ ВНИЗ (▲, ▼)
10. Кнопка RDM  
Нажмите на эту кнопку, чтобы начать случайное воспроизведение треков.
11. Кнопка RPT  
Используйте эту кнопку для повторного воспроизведения текущего трека/ всех треков.
12. Кнопка INT (воспроизведение первых 10 секунд треков)  
Нажмите на эту кнопку, чтобы включить функцию Intro. Только первые 10 секунд каждого трека будут воспроизводиться.
13. Кнопка PLAY/ PAUSE  
Нажмите на эту кнопку, чтобы начать воспроизведение или поставить его на паузу (нажмите еще раз, чтобы продолжить воспроизведение).
14. Кнопки предварительной установки радио станций [1-6]
15. Кнопка MODE  
Нажмите на кнопку, чтобы выбрать режим воспроизведения или радио.
16. Кнопка BAND (ID3)  
Нажмите кнопку BAND для установки диапазона радиоприемника.
17. Разъем USB

## Обратная сторона передней панели

Нажмите на кнопку REL чтобы откинуть панель и нажмите EJECT чтобы вынуть диск.

Вынуть диск

Слот для диска: вставьте сюда диск



Кнопка сброса RESET

Индикатор статуса панели

## Пульт управления

### 1. Кнопка MOD

Нажмите на кнопку, чтобы выбрать режим.

### 2. Кнопка SEL/ MENU

Нажмите на SEL/MENU, чтобы отрегулировать настройки.

Во время воспроизведения диска нажмите на кнопку SEL/MENU, чтобы открыть меню диска.

### 3. Кнопка BAND

Нажмите кнопку BAND для установки диапазона радиоприемника.

### 4. Кнопка TA

Нажмите на кнопку, чтобы включить функцию TA (дорожных объявлений).

### 5. КнопкаPTY

Нажмите на кнопку, чтобы начать поиск транслируемых передач.

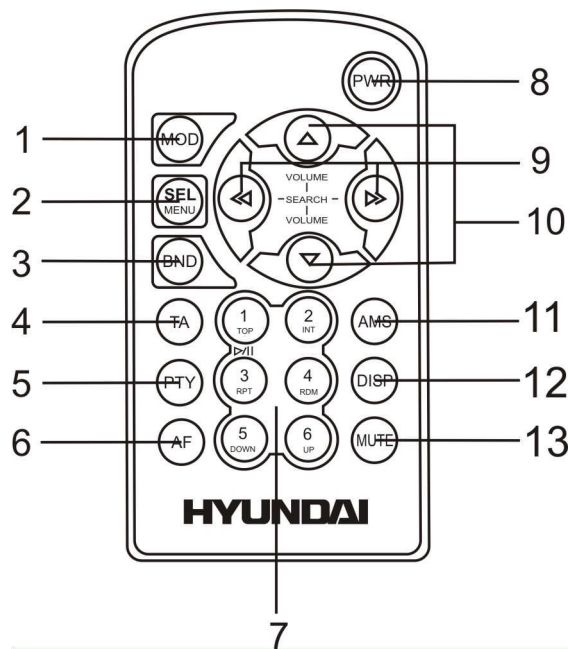
### 6. Кнопка AF

Нажмите на кнопку, чтобы включить альтернативную частоту.

### 7. Кнопки с цифрами 0~6

Во время прослушивания радио нажмите на кнопку, чтобы произвести предварительные установки радио станций.

В режиме воспроизведения диска нажмите на кнопку, чтобы ввести номер трека для воспроизведения.



PLAY/PAUSE

TOP

INT

RPT

RDM

DOWN

UP

8. Кнопка PWR

Нажмите на эту кнопку, чтобы включить или выключить питание.

9. Кнопки ПРЕДЫДУЩИЙ/ УСКОРЕННО НАЗАД ◀, СЛЕДУЮЩИЙ/ УСКОРЕННО ВПЕРЕД ▶

Во время прослушивания радио нажмите на кнопку, чтобы переключить станцию. Нажмите и удерживайте кнопку около 3 секунд, чтобы начать автоматический поиск станций по диапазону.

Во время воспроизведения нажимайте на эти кнопки, чтобы переходить к следующему/ предыдущему треку. Нажмите и удерживайте кнопку, чтобы включить функцию ускоренного воспроизведения вперед/ назад.

10. Кнопки регулировки громкости ▲, ▼

Нажимайте на кнопки, чтобы отрегулировать уровень громкости.

11. Кнопка AMS

Во время прослушивания радио нажмите на эту кнопку и удерживайте менее 1 секунды для сканирования предварительно установленных станций 1 – 6 в течение 5 секунд каждую; нажмите еще раз, чтобы активировать функцию AMS.

12. Кнопка DISP

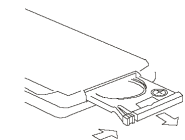
Нажмите на кнопку, чтобы отобразить на экране текущее время.

13. Кнопка MUTE

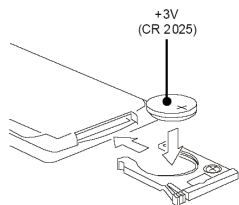
Нажмите на кнопку, чтобы выключить звук. Нажмите снова, чтобы вернуть звук на прежний уровень.



## Замена батарей в пульте управления:



1. Откройте отсек для батарей в направлении, указанном стрелкой.



2. Замените старую батарею на новую (CR 2025 3V), соблюдая полярность.

3. Закройте отсек для батарей.

### Примечание:

Не позволяйте детям играть с батареями.

Неправильное использование батарей может стать причиной перегрева или взрыва, что в свою очередь ведет к пожару.

Утечка батарей может сделать причиной повреждения пульта управления (Срок работы батарей – 6 месяцев при эксплуатации в обычных условиях при комнатной температуре).

Не закорачивайте батареи. Не бросайте батареи в огонь.

# Основные операции

---

## Кнопка RESET (сброс)

Нажмите на панели на кнопку REL. Панель откроется. Нажмите с помощью острого предмета на кнопку сброса RESET, расположенную за передней внутренней панели.

Эта мера необходима в следующих ситуациях: исходная установка устройства после подключения, никакие кнопки не действуют, символы ошибок появляются на дисплее.

## Кнопка включения

Нажмите POWER на панели или PWR на пульте ДУ, чтобы включить устройство.

Нажмите на кнопку еще раз, чтобы выключить питание.

**Внимание:** Когда Вы выключаете систему или зажигание автомобиля, громкость звука будут сохранена в памяти устройства, если она установлена в диапазоне 6-30. Если громкость была установлена на уровне меньше 6, после включения она включится на уровне 6. Если громкость была установлена на уровне больше 30, после включения она включится на уровне 30.

## Кнопки регулирования звука

### **Регулировка громкости**

Нажимайте на кнопки ▲, ▼ на пульте ДУ или поворачивайте регулятор громкости на панели, чтобы отрегулировать громкость.

### **Регулировка настроек аудио**

Нажимайте на кнопки SEL на пульте ДУ или на регулятор громкости на панели, чтобы выбрать один из настроек аудио: VOL (громкость), BAS (bass), TRE (treble), BAL (balance), FAD (fader). Затем нажимайте на кнопки ▲, ▼ или вращайте регулятор громкости на панели, чтобы отрегулировать каждую настройку.

### **Внимание:**

При выключении устройства все настройки будут сохранены.

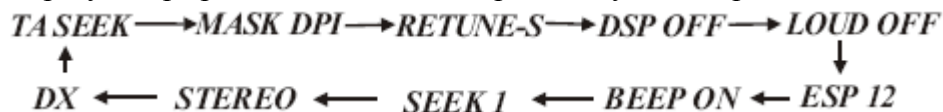
При отключения устройства от сети все настройки вернуться к заводским.

Если при выборе какой-либо настройки Вы в течение 3 секунд ее не регулируете, устройство вернется к текущему режиму, отображаемому на дисплее.

При выборе режима эквалайзера EQ нажмите на кнопку SEL, чтобы выбрать один из режимов: VOL/ BAL/ FAD. При этом режимы BAS/ TRE не активны.

### Регулировка других настроек

Во время прослушивания радио нажмите и удерживайте в течение 3 секунд кнопку SEL на пульте ДУ или на регулятор громкости, чтобы выбрать одну из настроек:



#### а. Режим TA (программы о дорожном движении)

Функция TA определяют поведение радиоприемника при включенном режиме TA, если отсутствует передача информации TP (программа движения) радиостанцией, на которую в данный момент настроен радио приемник. Нажимайте на кнопки ▲, ▼ на пульте ДУ или поворачивайте регулятор громкости на панели, чтобы выбрать один из режимов: TA SEEK или TA ALARM.

- *TA SEEK*: Если радиоприемник настраивается на радиостанцию, которая не передает информацию TP (Traffic Program – программы с информацией о дорожном движении) в течение нескольких секунд, радиоприемник перенастраивается на следующую станцию, которая не имеет тот же PI (код идентификации программы), что и предыдущая радиостанция, но передает информацию TP.
- *TA ALARM*: Когда выбран данный режим, функция автоматической перенастройки радиоприемника не работает. Вместо этого на дисплее появится мигающая надпись "NO TP, TA".

#### б. Режим MASK

Когда для какой-либо станции включен режим, разрешающий переключение на альтернативную частоту (AF), радиоприемник может переключиться на эту частоту, которая занята другой радиостанцией с другим значением PI, но с той же AF.

Если автомобиль перемещается в критической зоне, может появиться эффект частого переключения между двумя разными радиостанциями. Радиоприемник CD-ресивера имеет специальную процедуру, направленную на снижение данного эффекта.

Радиоприемник в таком случае прекращает искать альтернативную частоту AF в течение некоторого времени. В этой ситуации радиоприемник будет маскировать сигнал ошибочно принимаемой радиостанции, в зависимости от выбранного режима: MASK DPI или MASK ALL.

Нажимайте на кнопки ▲, ▼ на пульте ДУ или поворачивайте регулятор громкости на панели, чтобы выбрать один из режимов:

- MASK DPI:

Маскирует только альтернативные частоты с разными информационными программами.

- MASK ALL:

Маскирует и информационные программы, и станции, не поддерживающие RDS.

#### в. Retune R, Retune S

Retune-S или Retune-L – это выбор временного интервала повторного поиска в режиме TA Seek.

- Retune S: короткий, интервал поиска в режиме TA SEEK 45 секунд.

- Retune L: длинный, интервал поиска в режиме TA SEEK 180 секунд.

**Замечание:** Режим Retune для режима TA активен только для TA SEEK.

#### г. Кнопка DSP (установка эквалайзера)

Эквалайзер имеет следующие режимы: DSP OFF (DSP выключен) > POP > ROCK > CLASS > FLAT.

В режиме выключенного DSP эквалайзера будут BASS/ TREBLE будут активны.

#### д. Режим LOUD

Этот режим позволяет изменять уровень басов.

#### е. Режим ESP (электронная система стабилизации)

Электронная система стабилизации необходима при движении по неровной дороге.

Вы можете выбрать количество секунд, необходимых для системы:

- ESP 12 секунд: для дороги с обычным покрытием.

- ESP 45 секунд: для экстремальных условий поездки.

#### ж. Режим BEEP

У этой функции есть 2 режима:

- BEEP ON: включает звуковые сигналы, когда заданная функция выполнена.
  - BEEP OFF: выключает звуковые сигналы.
- з. Функция поиска радио станции
- Вы можете выбрать один из следующих режимов поиска:
- SEEK 1: Нажимайте на кнопки поиска радио станций (назад/ вперед), чтобы начать пошаговый поиск радио станций и остановиться в любой момент, когда Вам понадобится.
  
  - SEEK 2: Нажмите на кнопки поиска радио станций (назад/ вперед), чтобы начать пошаговый поиск радио станций. При этом радио остановится только тогда, когда радио станция с четким сигналом будет найдена.
- и. Режим стерео
- Эта функция позволяет выбирать режимы стерео или моно. В режиме моно прием сигнала с дальних станций будет лучше.
- к. Режим LOC/DX
- Эта функция позволяет выбирать режимы LOCAL и DISTANT (DX) (режим местной или удаленной чувствительности тюнера).

### Выключение звука

Нажмите на кнопку MUTE на пульте ДУ, чтобы выключить звук. Нажмите на кнопку еще раз или нажимайте на кнопки ▲, ▼ на пульте ДУ или вращайте регулятор громкости на панели, чтобы включить звук.

### Установка времени

Отображение времени: Нажмите на кнопку DISP на пульте ДУ или на панели, чтобы на дисплее появилось текущее время, через 3 секунды оно исчезнет.

Установка времени: Нажмите и удерживайте кнопку DISP на пульте ДУ или на панели, пока точки на экране не перестанут мигать. Затем нажимайте на кнопки ▲, ▼ на пульте ДУ или вращайте регулятор громкости на панели, чтобы выставить часы.

Нажмите на кнопку DISP, нажимайте на кнопки ▲, ▼ на пульте ДУ или вращайте регулятор громкости на панели, чтобы выставить минуты.

Снова нажмите на кнопку DSP или DISP, чтобы сохранить настройки.

**Внимание:** При нахождении станции, если текущее время не совпадает со временем, которое передает система радио данных (RDS), магнитола изменит настроенное Вами время на полученное через RDS.

### Настройка режима

Нажмите на кнопку MOD на пульте ДУ или MODE на панели, чтобы выбрать режим радио (TUNER), режим воспроизведения дисков (S-CDP) или USB (USB DRIV).

При выборе режима радио, нажимайте на кнопку BAND, чтобы выбрать диапазон: FM 1, FM 2, FM 3, FM 4 (OIRT), AM 1, AM 2.

## Цифровой тюнер

---

**Внимание:** Сервис RDS (Система радио данных) доступен не во всех регионах. Имейте в виду, что если услуга RDS не доступна в Вашем регионе, то данная функция не будет работать.

### Выбор диапазона

Нажмите на кнопку POWER, чтобы включить устройство. Нажмите на кнопку MOD на пульте ДУ или MODE на панели два раза, чтобы выбрать режим радио.

Нажимайте на кнопку BND на пульте ДУ или BAND на панели, чтобы выбрать диапазон: FM 1, FM 2, FM 3, FM4 (OIRT), AM 1, AM 2 (для двух диапазонов).

### Ручной/ автоматический поиск радиостанций

Ручной поиск: Нажмите на кнопку ◀◀/ ▶▶ на панели или ◀◀/ ▶▶ на пульте ДУ, чтобы вручную уменьшать или увеличивать частоту, при этом поиск будет происходить по наиболее сильным сигналам.

Автоматический поиск: Нажмите и удерживайте кнопку ◀◀/ ▶▶ на панели или ◀◀/ ▶▶ на пульте ДУ, автоматический поиск начнется. Первая найденная станция с сильным сигналом начнет воспроизводиться магнитолой. Нажмите и удерживайте еще раз, чтобы найти следующую станцию.

### Программирование радио станций

Вы можете хранить и воспроизводить 6 радио станций в каждом из 3 поддиапазонов.

Чтобы сохранить станцию:

- Выберите диапазон (если нужно).
- Выберите станцию при помощи кнопок ◀◀/ ▶▶ или ◀◀/ ▶▶.
- Нажмите и удерживайте в течение двух секунд кнопку с номером 1~6, под которым Вы бы хотели сохранить эту станцию. “СН” появится на дисплее вместе со звуковым сигналом.

Чтобы вызвать станцию:

- Выберите диапазон (если нужно).
- Нажмите на кнопку с номером нужной сохраненной станции 1~6.

ИЛИ:

Во время прослушивания радио нажмите на кнопку <</ >> на пульте ДУ, чтобы переходить от одной сохраненной станции к другой вперед или назад.

### Функция AMS (автоматическое сохранение в памяти)

Прослушивание предустановок: Нажмите на кнопку AMS на пульте ДУ, чтобы прослушать все сохраненные в текущем диапазоне станции в течение 5 секунд. Во время прослушивания номер каждой станции будет загораться на дисплее. Чтобы остановить прослушивание, снова нажмите на кнопку AMS.

Автоматическое сохранение: Нажмите и удерживайте AMS более 1 секунды, 6 самых сильных доступных станций будут автоматически сохранены в памяти кнопок 1~6. Чтобы остановить автоматическое сохранение, снова нажмите на кнопку AMS.

### Функция AF (Альтернативные частоты)

Нажмите на кнопку AF на пульте ДУ, чтобы режим AF стал активным.

В активном режиме AF радио постоянно проверяет силу сигнала альтернативных частот, на которых может транслироваться RDS.

Нажимайте на кнопку AF, чтобы выбрать режим REGION ON или REGION OFF.

REGION ON (Включенный региональный режим):

Переключение AF или поиск информационных программ поменяются для станций с тем же кодом идентификации, что и текущая.

REGION OFF (Выключенный региональный режим):

Региональный код формата информационной программы при переключении AF или поиске информационных программ игнорируется.



## ФункцияPTY (Тип программы)

FM-станции, поддерживающие RDS, передают идентифицирующий сигнал типа программы.

При нажатии на кнопкуPTY на пульте ДУ начнется поиск сигнала текущего типа программы.

Если программа не будет найдена, устройство вернется в текущий режим, на дисплее появится NOPTY.

Нажмите на кнопкуPTY один раз, затем при помощи 6 кнопок предварительной установки выберите другой код музыкальной группы.

Нажмите на кнопкуPTY второй раз, затем при помощи 6 кнопок предварительной установки выберите другой код голосовой группы.

Для выбора кодов музыкальных групп используйте таблицу:

Номер кнопки	Музыкальная группа	Голосовая группа
1	POP, ROCK	NEWS, AFFAIRS, INFO
2	EASY, LIGHT	SPORT, EDUCATE, DRAMA
3	CLASSICS,	CULTURE, SCIENCE, VARIED
4	JAZZ, COUNTRY	WEATHER, FINANCE, CHILDREN
5	NATION, OLDIES	SOCIAL, RELIGION, PHONE IN
6	FOLK	TRAVEL, LEISURE, DOCUMENT

## ФункцияТА (поиск программ о дорожном движении)

При быстром нажатии на кнопкуТА, режимТА включается или выключается.

При включенном режиме на дисплее появляется “ТА”. Начнется автоматический поиск программ дорожного движения. Когда программа будет найдена, на дисплее появится надпись TP.

Если в режимеТАALARM на экране горит NO TA/TP, то ТА программа найдена не была.

Если установлен режимТАSEEK, то поиск будет продолжаться, пока передача не будет найдена.

**Внимание:** Эта функция доступна также во время воспроизведения.

При включенииТА режима если уровень громкости был меньше 20, то при начале прослушивания он станет на уровне 20. Если выше 20, то останется на том же уровне.

## Воспроизведение файлов CD/ MP3/ USB

---

### Загрузка диска

1. Нажмите кнопку REL на панели, чтобы открыть переднюю панель. Установите диск в слот маркированной стороной вверх.
2. Нажмите кнопку REL на панели, чтобы открыть переднюю панель. Нажмите на кнопку EJECT на внутренней панели, чтобы вынуть диск.

### Воспроизведение диска





Когда диск в устройстве, нажмите на кнопку MOD на пульте ДУ или MODE на панели, чтобы начать воспроизведение.

Чтобы обеспечить высокое качество воспроизведения, дождитесь, пока плеер закончит читать диск, а затем начинайте воспроизведение.

### Пауза

Нажмите кнопку PLAY/ PAUSE на панели или на пульте ДУ во время воспроизведения, режим паузы активируется. Нажмите кнопку PLAY/ PAUSE еще раз, чтобы продолжить воспроизведение.

### Переход к предыдущему или следующему треку (CD и MP3)

1. Нажмите во время воспроизведения на кнопку  , воспроизведение начнется с начала предыдущего трека.
2. Нажмите во время воспроизведения на кнопку  , воспроизведение начнется со следующего трека.

## Ускоренное воспроизведение вперед или назад

Во время воспроизведения нажмите на кнопки   или   на пульте ДУ один или несколько раз, чтобы начать ускоренное воспроизведение назад или вперед.

**Внимание:** Во время воспроизведения дисков, когда ускоренное воспроизведение достигает начала следующего трека, возобновляется нормальный режим воспроизведения.

## Повтор воспроизведения





Нажимайте на кнопку RPT на пульте ДУ или на панели, чтобы включить функцию повтора текущего трека. По умолчанию установлен ПОВТОР ДИСКА.

## Ввод номера трека

Используйте цифровые кнопки для ввода номера трека.

Для перехода к предыдущему десятку используйте кнопку 5. Например, если номер текущего трека 32, нажмите на кнопку 5, чтобы перейти к треку №30.

Для перехода к следующему десятку используйте кнопку 6. Например, если номер текущего трека 32, нажмите на кнопку 6, чтобы перейти к треку №40.

Используйте кнопки   на пульте ДУ или кнопки   на панели, чтобы передвигаться на 1 трек вперед или назад.

## Функция Intro

### **Только для VCD/ CD/ MP3 дисков.**

Вы можете последовательно воспроизводить начало каждого трека в течение 10 секунд.

1. Во время воспроизведения один раз нажмите INT на панели или пульте ДУ. На дисплее появится номер воспроизводимого трека и время воспроизведения.
2. Нажмите INT снова, чтобы выбрать текущий трек.

## Функция поиска

В режиме MP3 или USB Вы можете воспользоваться поиском по номеру трека, по номеру файла или по названию трека.

### **Поиск по номеру трека**

1. Нажмите на кнопку AMS 1 раз, на экране появится TRK SCH.
2. Нажмите на кнопку SEL, чтобы войти в режим поиска треков. На экране появится TRK 001, будет мигать 1 – последняя цифра в номере искомого трека.
3. При помощи кнопок ▲, ▼ выберите нужную цифру.
4. Нажмите на кнопку SEL, начнет мигать 0 – вторая цифра искомого трека.
5. В случае необходимости при помощи кнопок ▲, ▼ выберите нужную цифру.
6. Так же введите 3ю цифру номера трека и нажмите на кнопку SEL.

### **Поиск по номеру файла**

1. Дважды нажмите на кнопку AMS, на экране появится FILE SCH.
2. Нажмите на кнопку SEL, чтобы войти в режим поиска файлов. На экране будет мигать название первой папки с файлами (например, CD 01).
3. Нажимайте на кнопку ▲, пока на экране не замигает название искомой папки.
4. Нажмите на кнопку SEL, чтобы открыть найденную папку. На экране появится 01 – номер первого файла в выбранной папке.
5. Нажимайте на кнопку ▲, пока на экране не замигает номер искомого файла.
6. Нажмите на кнопку AMS, чтобы начать воспроизведение выбранного файла.

### **Поиск по названию трека**

1. Трижды нажмите на кнопку AMS, на экране появится CHAR SCH.
2. Нажмите на кнопку SEL, чтобы войти в режим поиска по названию. На экране будет мигать название первой папки с файлами (A).
3. Нажимайте на кнопку SEL, пока не замигает искомая папка.

4. Нажмите на кнопку SEL, чтобы открыть эту папку. На дисплее появится CA, при этом A (последняя буква в названии) будет мигать. (Если теперь нажать и удерживать кнопку SEL, то начнется воспроизведение 1го трека выбранной папки)
5. Нажимайте на кнопку SEL, пока не появится нужная буква.
6. Нажмите на кнопку SEL. Начнется воспроизведение выбранного трека.

**Внимание:** Кнопки AMS, SEL и ▲/▼ в данном случае выполняют одну и ту же функцию.

Таким способом Вы можете работать с любым количеством папок, и файлы в них могут содержать любое количество букв.

### Завершение работы с USB

При завершении работы с USB носителем, магнитола перейдет в режим радио.

Если до начала работы с USB носителем магнитола находилась в режиме воспроизведения CD/ MP3 или радио, то по завершении работы с ним она перейдет в этот режим.

**Внимание:** После завершения работы с USB носителем закрывайте разъем специальной заглушкой.

# Система против кражи

---

## Снятие панели

1. Нажмите на кнопку POWER чтобы выключить питание устройства.
2. Нажмите на кнопку REL чтобы снять панель.
3. Держите панель посередине. Сначала снимите один конец, затем другой.
4. Положите панель в специальный футляр и возьмите его с собой, когда будете покидать машину.

## Съем изделия

1. Снимите панель.
2. Вставьте два Т-образных ключа в отверстие лицевой стороны, пока не услышите щелчок.
3. Выньте изделие.

## Обращение с дисками

---

Грязные, поцарапанные или погнутые диски могут вызвать искажение звука или шумы. Держите диск только за края (как показано на рисунке). Чтобы обеспечить чистоту, не прикасайтесь к его поверхности.

Диски должны храниться в их чехлах после использования, чтобы не поцарапать их поверхность.

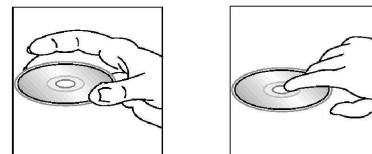
Не подвергайте диски действию прямого солнечного света, повышенной влажности, повышенным температурам или действию пыли.

Продолжительное влияние предельных температур может изогнуть диск (например, пребывание дисков в автомобиле в летнее время).

Не царапайте и не пишите что-либо на любой стороне диска. Острые пишущие инструменты или чернила, используемые в них, могут повредить поверхность диска.

**НЕ ПРИКАСАЙТЕСЬ** к стороне, не имеющей маркировки.

**НЕ ПРИКРЕПЛЯЙТЕ** какую-либо печать, этикетку или лист предохранения данных к любой стороне диска.



## Чистка и уход

---

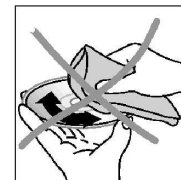
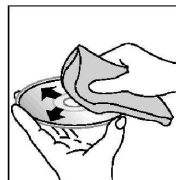
### Чистка корпуса

Протирайте мягкой тканью. Если корпус очень загрязнен (не мочите его), используйте ткань, слегка смоченную мыльным раствором, и затем вытрите его сухой тканью.

### Чистка дисков

а) Отпечатки пальцев должны быть тщательно стерты с поверхности диска мягкой тканью. В отличие от обычных пластинок, компакт-диски не имеют канавок для сбора пыли и микроскопических частиц грязи, поэтому осторожно вытирайте их мягкой тканью, чтобы убрать частицы грязи. Вытирайте прямолинейным движением от центра к краю.

б) Никогда не используйте растворитель, бензин, очиститель пластинок или антистатический аэрозоль для чистки дисков. Такие химические вещества могут повредить его пластиковые поверхности.





## Руководство по устранению неисправностей

Неисправность	Причина	Решение
Нет питания	Зажигание машины не включено. Сгорел предохранитель.	Если источник питания подключен надлежащим образом к выключателю машины, установите ключ зажигания в положение “АСС”. Замените предохранитель.
Невозможно загрузить диск	В плеер установлен диск.	Удалите диск из плеера, затем установите новый.
Невозможно считать диск	Диск установлен верхней стороной вниз. Диск загрязнен или имеет дефект. Температура внутри машины очень высокая.	Установите компакт диск стороной с этикеткой вверх. Очистите диск или установите новый. Подождите, пока температура не станет нормальной.
Нет звука	Звук установлен на минимум. Кабель не подключен надлежащим образом.	Отрегулируйте звук до необходимого уровня. Проверьте подключение кабеля.
Не действуют функциональные ключи	Встроенный микрокомпьютер не работает надлежащим образом из-за шумов. Передняя панель не установлена на свое место.	Нажмите кнопку RESET. Повторно установите переднюю панель.
Звук пропадает	Угол установки более 30 градусов. Диск загрязнен или имеет дефект.	Отрегулируйте угол установки, установив его менее 30 градусов. Очистите диск или установите новый.
Радио не работает. Не работает автоматический выбор радиостанции	Антенный кабель не подключен. Сигналы слишком слабы.	Вставьте антенный кабель надежно. Выберите станцию вручную.

## Технические характеристики

---

Общие. Источник питания	14,4 В, постоянное
Потребляемый ток/Предохранитель:	Максимум 15 А/ 15 А
Максимальная выходная мощность:	50 Вт х 4 канала
Размеры (Ш х В х Д)	178 х 50 х 192 мм
Рабочий диапазон температур:	-10°C - +60°C
Сtereo FM радио. Частотный диапазон:	65.0 – 74.0/87.5 - 108.0 МГц
Используемая чувствительность/ Промежуточная частота:	15 дБ/ 10.7 МГц
MW радио. Частотный диапазон:	522-1620 КГц
Аудио	
Максимальный уровень сигнала на выходе	2 В RMS (+/-3 дБ)
Частотный диапазон	5 Гц – 20 КГц
Уровень сигнал-шум (A-vtd)/Разделение	65 дБ/60 дБ
Линейный выход	CD макс. 2000 мВ

Технические характеристики могут быть изменены заводом-изготовителем без предварительного уведомления.

Указанные масса и геометрические размеры имеют приблизительные значения.