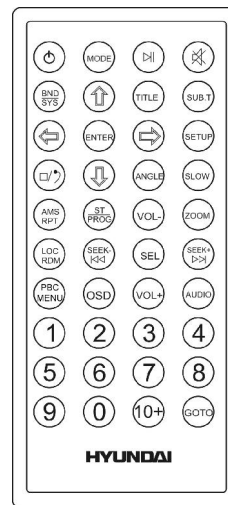
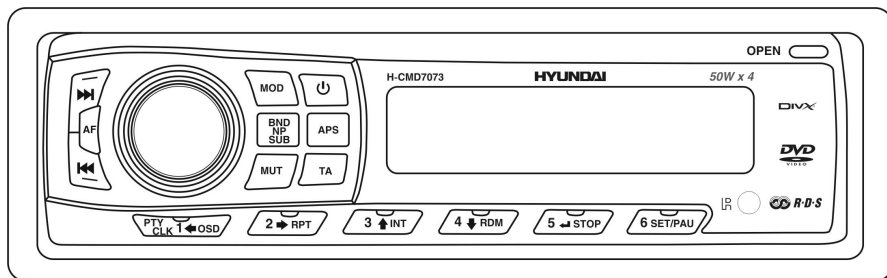


HYUNDAI

H-CMD7073



DVD/MP3/CD RECEIVER
Instruction manual

DVD/MP3/CD-РЕСИВЕР
Руководство по эксплуатации

Dear customer!

Thank you for purchasing our product. For safety, it is strongly recommended to read this manual carefully before connecting, operating and/or adjusting the product and keep the manual for reference in the future.

Table of contents

Table of contents..... 2
Important safeguards..... 3
Accessories..... 4
Installation/Connections..... 5
Control description.....11
General operations14
Radio operations16
Disc operations19
System setup.....26
Handling compact discs.....29
Cleaning29
Troubleshooting guide.....30
Specification31

Important safeguards

- Read carefully through this manual to familiarize yourself with this high-quality sound system.
- The beginning of operation is the moment of the unit installation. Before use the device in winter it is recommended to heat up the passenger compartment during 20 seconds or to the operation temperature.
- Use the unit with the temperature that goes beyond the operation temperature greatly decreases the operation resource of the screen and other components of device and can result an outage.
- Disconnect the vehicle's negative battery terminal while mounting and connecting the unit.
- When replacing the fuse, be sure to use one with an identical amperage rating. Using a fuse with a higher amperage rating may cause serious damage to the unit.
- Do not attempt to disassemble the unit. Laser beams from the optical pickup are dangerous to the eyes.
- Make sure that pins or other foreign objects do not get inside the unit; they may cause malfunctions, or create safety hazards such as electrical shock or laser beam exposure.
- Do not use the unit in places where it can be exposed to water, moisture and dust.
- Do not open covers and do not repair yourself. Consult the dealer or an experienced technician for help.
- Make sure you disconnect the power supply and aerial if you will not be using the system for a long period or during a thunderstorm.
- Make sure you disconnect the power supply if the system appears to be working incorrectly, is making an unusual sound, has a strange smell, has smoke emitting from it or liquids have got inside it. Have a qualified technician check the system.
- The unit is designed for negative terminal of the battery, which is connected to the vehicle metal. Please confirm it before installation.
- Do not allow the speaker wires to be shorted together when the unit is switched on. Otherwise it may overload or burn out the power amplifier.

Accessories

1.	Receiver	1 pc
2.	Front panel	1 pc
3.	Remote controller	1 pc
4.	Carrying case	1 pc
5.	ISO connector	1 pc
6.	Mounting parts:	
	Hexagon nut M5 T	1 pc
	Mounting box	1 pc
	Release key	2 pcs
	Metal bar	1 pc
	Plain washer	2 pcs
	Outer trim ring	1 pc
	Spring washer	2 pcs
	Screw (5X25 mm)	1 pc
	Screw M5 (5X29.3 mm)	1 pc
7.	Customer information	1 pc
8.	Warranty card	1 pc
9.	Instruction manual	1 pc

Installation/Connections

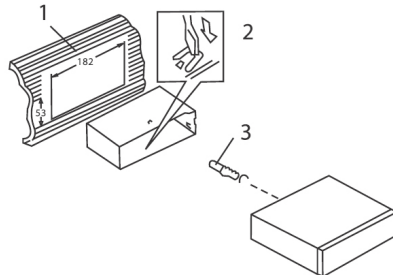
- Choose the mounting location where the unit will not interfere with the normal driving function of the driver.
- Before finally installing the unit, connect the wiring and make sure that the unit works properly.
- Consult with your nearest dealer if installation requires the drilling of holes or other modifications of the vehicle.
- Install the unit where it does not get in the driver's way and cannot injure the passenger if there is a sudden stop, like an emergency stop.
- If installation angle exceeds 30° from horizontal, the unit may not perform properly.
- Avoid installing the unit where it would be subject to high temperature, such as from direct sunlight, or from hot air, from the heater, or where it would be subject to dust, dirt or excessive vibration.

Din Front/Rear-Mount

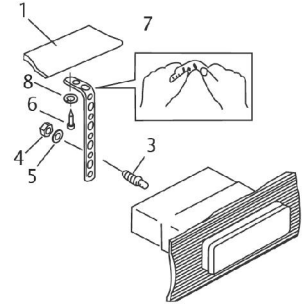
This unit can be properly installed either from 'Front' (conventional DIN Front-mount) or 'Rear' (DIN Rear-mount installation, utilizing threaded screw Holes at the sides of the unit chassis). For details, refer to the following illustrated installation methods.

DIN FRONT-MOUNT (Method A)

1. Car dashboard
2. Sleeve
3. Screw
4. Nut (5 mm)
5. Spring washer
6. Screw (5 x 25 mm)
7. Metal strap
8. Flat washer



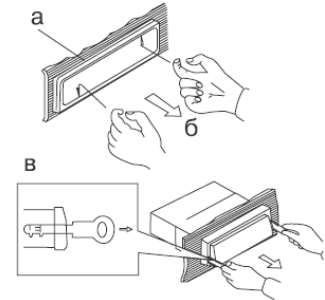
1. Install the sleeve into the dashboard; ensure it is installed with the correct side and there are no obstacles (wires, dashboard elements, etc) for the unit installation.
2. After installing the sleeve into the dashboard, bend tabs fitting to the size of the dashboard to fix the sleeve in place.
3. Use the metal strap to fix the rear side of the unit. Determine a place for fixing and install the strap as shown in the picture. You can bend the strap to the needed angle with your hands.
4. Make the necessary wire connections. Ensure the connections are correct.
5. Install the unit into the sleeve until the side locks are fixed.



Dismantling the unit

- a – Trim frame
- b – Frame uninstall direction
- c – Release key insertion

1. Switch off the unit and detach the front panel.
2. Insert your fingers into the groove in the front side of the trim frame (apply some effort to detach the frame). Pull the frame to detach it.
3. Insert the supplied release keys into the both sides of the unit body to click, as shown in the picture. To extract the unit from the dashboard, pull the release keys or the unit body to pull it out. Before detaching the unit, ensure it is not fixed with the metal strap.



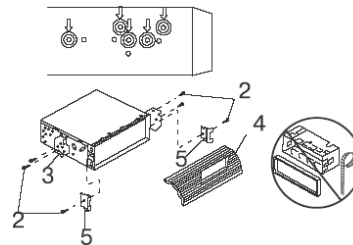
Trim frame installation

To install the trim frame, press it to the unit body and push it to fix it in place. This should be done before installing the front panel; otherwise you are not able to install the trim frame. When the trim frame being installed, the side with the groove should face down and fixed first.

2. DIN REAR-MOUNT (Method B)

For this method, use the screw holes in the lateral sides of the unit. Fix the unit with the help of the factory radio mounting brackets.

1. Select a position in which the screw holes of the brackets (3) are aligned with the screw holes in the unit body, and screw in two screws (2) in each side.
2. Screw.
3. Factory radio mounting brackets.
4. Vehicle dashboard.
5. Lock (remove this part).



Note: The outer trim frame and mounting sleeve are not used for method of installation.

Detachable control panel

Detaching the control panel

1. Press OPEN button on the front panel. The panel will go down.
2. Push the panel to the left and then pull it towards you.

Attaching the control panel

- Insert the left side of the control panel into the left fastening of the unit.

Note: The control panel must be attached into the T-Joint.

- Press the right side of the control panel, then insert the right side of the control panel into the right fastening of the unit.
- Lift the panel. Press the right upper part of the panel until a click.

Caution: The control panel can easily be damaged by shocks. After removing it, place it in a protective case and be careful not to drop it or subject it to strong shocks. The rear connector that connects the main unit and the control panel is an extremely important part. Be careful not to damage it by pressing on it with fingernails, pens, screwdrivers, etc.

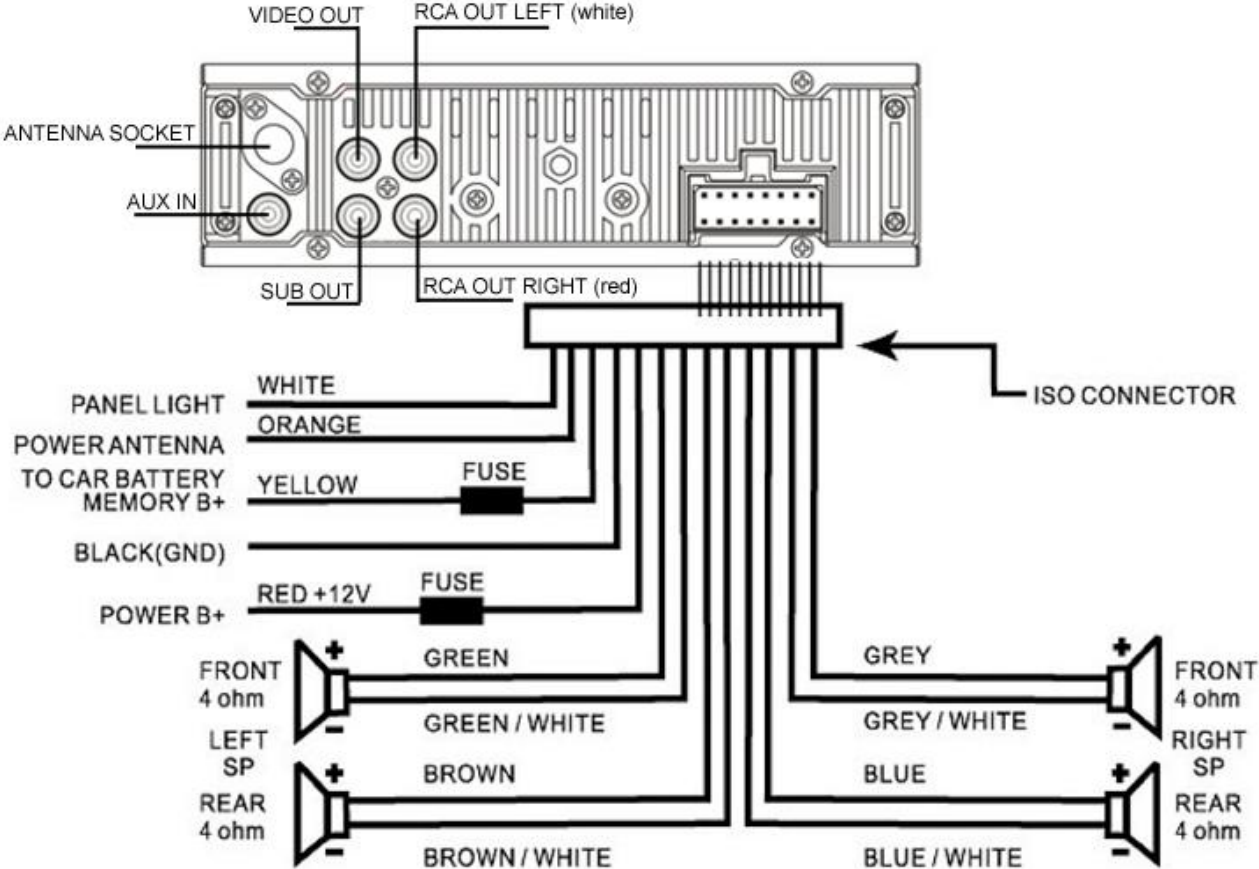
Note: If the control panel is dirty, wipe off the dirt with soft, dry cloth only. And use a cotton swab soaked in isopropyl alcohol to clean the socket on the back of the control panel.

Anti-theft system

The front panel of this unit can be stored in the included protective case when not in use and carried away when you leave the vehicle to deter theft.

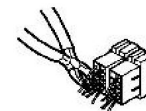
Switch off the power of the unit. Detach the front panel, then put it to the protective case and take it with you.

Connection diagram:



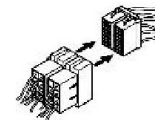
Using the ISO Connector

1. If your car is equipped with the ISO connector, then connect the ISO connectors as illustrated.



2. For connections without the ISO connectors, check the wiring in the vehicle carefully before connecting, incorrect connection may cause serious damage to this unit.

Cut the connector, connect the colored leads of the power cord to the car battery as shown in the colour code table below for speaker and power cable connections.

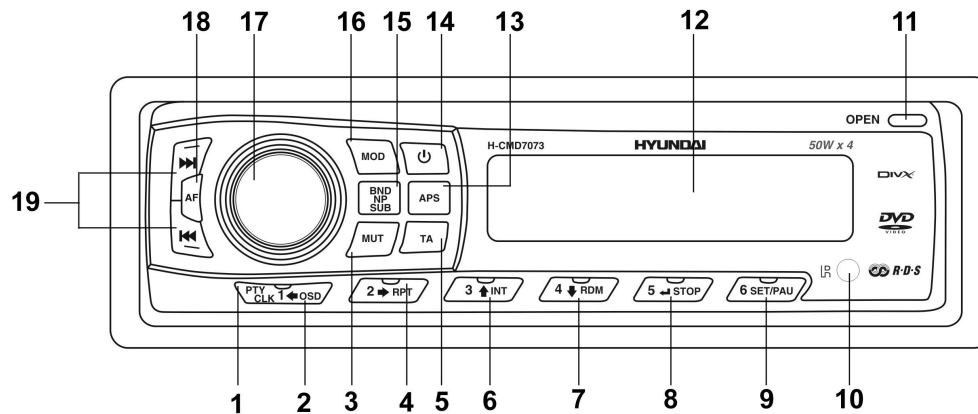


Location	FUNCTION	
	Connector A	Connector B
1		Rear Right(+)--Blue
2		Rear Right(--Blue/White Stripe
3		Front Right(+)--Grey
4	Battery 12V (+)/yellow	Front Right(--Grey/White Stripe
5	Auto Antenna/Orange	Front Left(+)--Green
6	Panel light/White	Front Left(--Green/White Stripe
7	ACC+/red	Rear Left(+)--Brown
8	Ground/black	Rear Left(--Brown/White Stripe

Control description

Front panel

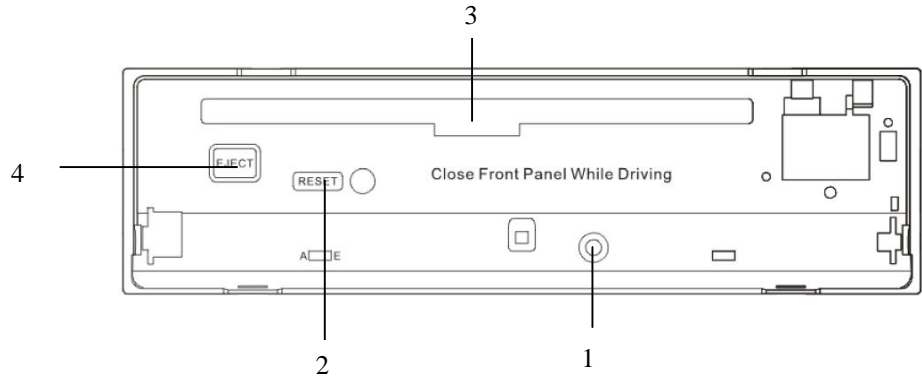
1. PTY/CLK button
2. 1/LEFT/OSD button
3. MUTE button
4. 2/RIGHT/RPT button
5. TA button
6. 3/UP/INT button
7. 4/DOWN/RDM button
8. 5/STOP button
9. 6/SET/PAU button
10. IR sensor
11. OPEN button
12. Display
13. APS button
14. POWER button
15. BND/NP/SUB button
16. MODE button
17. VOL knob/SEL button
18. AF button
19. PREV/NEXT buttons



Back of the front panel

Press the OPEN button to open the panel.

1. LED indicator
2. RESET button (hole)
3. Disc slot
4. EJECT button

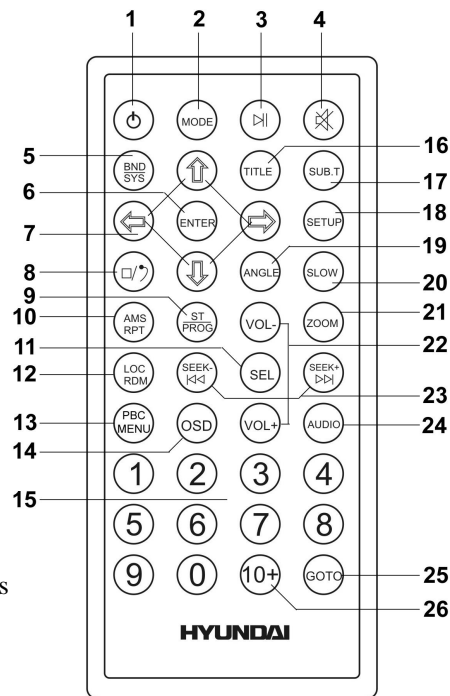


Note: Pressing the RESET hole will erase the clock setting and stored stations.

Panel status indicator lights up when you slide the panel down, flashes when you remove the panel.

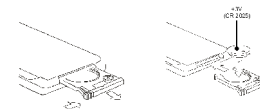
Remote control

1. POWER button
2. MODE button
3. PLAY/PAUSE button
4. MUTE button
5. BND/SYS button
6. ENTER button
7. UP/DOWN/LEFT/RIGHT cursor buttons
8. STOP/REVERSE button
9. ST/PROG button
10. AMS/RPT button
11. SEL button
12. LOC/RDM button
13. PBC/MENU button
14. OSD button
15. Digit buttons
16. TITLE button
17. SUB-T button
18. SETUP button
19. ANGLE button
20. SLOW button
21. ZOOM button
22. VOL-/VOL+ buttons
23. SEEK-/SEEK+ /PREV/NEXT buttons
24. AUDIO button
25. GOTO button
26. 10+ button



Changing the battery

Press the catch and at the same time pull out the battery tray. Insert the 1 x lithium battery, type CR 2025 3V battery with the stamped (+) mark facing upward. Insert the battery tray into the remote control.



General operations

Reset the unit

Operating the unit for the first time or after replacing the car battery, you must reset the unit.

Press OPEN button and remove the panel, then press RESET button to restore the unit to the original factory settings.

Power button

Press any button (except OPEN button) to turn the unit on. Press POWER button to switch the unit off.

Note: After the unit is off, the clock, volume level and radio current settings will be memorized, and when you turn the unit on it will resume the stored status you set.

Volume adjustment

Rotate VOL knob on the panel clockwise or press VOL+ button on the RC to increase the volume level; rotate anticlockwise or press VOL- button to decrease the volume level.

Mute function

Press MUTE button to cancel the sound. Press again to resume.

Mode selecting

Press MODE button repeatedly to select the mode: AUX IN => RADIO => DISC (available if a disc is inserted).

Subwoofer control

Press and hold BND/NP/SUB button on the panel to turn the Subwoofer output ON. An external amplifier is required to operate a subwoofer.

Sound settings

Press SEL button shortly and repeatedly to select the mode: VOL => BAS => TRE => BAL => FAD => LOUD => LOC => ST => EQ => COLOR 1. Rotate the VOL knob or use VOL +/- buttons to adjust each mode.

- VOLUME: 00, 02,....., 38, 39

- BASS/TREBLE: -7, -6,....., 0, +1, +2,.....+6, +7
- BALANCE: 7L, 6L,....., L=R, 1R,.....,7R
- FADER: 7R, 6R,....., R=F, 1F,....., 7F
- LOUD: ON/OFF
- LOC: LOC ON, LOC OFF (DX).
- ST: STEREO, MONO
- EQ: CLASS, POP, ROCK, FLAT, OFF
- COLOR: COLOR1, COLOR2 (to select the needed backlight color).

Note: In each mode, the waiting time is about 5 seconds, and the waiting time is over, it returns to the last display mode of radio or disc playback mode.

Clock display and adjustment

Press and hold PTY/CLK button on the panel to show the time on the display. Press and hold the button, the hour will blink. Rotate VOL knob on the panel or press VOL+/VOL- buttons on the RC to adjust the hour. Press briefly SEL button again, the minute will blink. Rotate VOL knob on the panel or press VOL+/VOL- buttons on the RC to adjust minutes. Press PTY/CLK button or leave the unit idle to confirm the setting.

Radio operations

Band select

Press BND/NP/SUB button on the front panel or BND/SYS button on RC repeatedly to select your desired radio band during RADIO mode: FM1, FM2, FM3, AM1 (MW1), AM2 (MW2). Up to 6 radio stations can be stored in each subband, totally 30 stations can be stored.

Auto/Manual tuning

- **Automatic tuning:** Press and hold for 2 seconds the SEEK-/+ buttons on the RC press and hold for 2 seconds PREV/NEXT buttons on the panel, the automatic search will start. It will play when finds the station.
- **Manual tuning:** Press briefly the SEEK-/+ buttons on the RC or press briefly PREV/NEXT buttons on the panel to select a station downward or upward step by step.

Programming tuner stations

You can store up to a total of 30 radio stations in the memory (18 FM, 12 AM), manually or automatically.

To store a station:

- Select a band.
- Select a station by SEEK-/+ on the RC or PREV/NEXT buttons on the panel.
- Hold a Preset button (1-6), which you want store the station for at least 2 seconds.

To recall a station:

- Select a band.
- Press a Preset button (1-6) briefly to recall the stored station.

APS (Auto memory store/Preset scan) function

- **Auto memory store:** Press and hold APS button on the panel or AMS/RPT button on the RC to enter auto store mode. The radio will automatically store the 6 strongest available stations to the 6 preset memories of the current band. To stop auto store, press this button again.
- **Preset scan:** Press APS button on the panel or AMS/RPT button on the RC to scan all preset stations in the memory of the current band and stay on each memory stations for about 5 seconds. To stop preset scan, press this button again.

Stereo/Mono mode

Press ST/PROG button on the RC to select Stereo or Mono. The other way to perform this operation is described in item “Sound settings” above.

Local/Distance control

Press LOC/RDM button on the RC to select LOC ON or LOC OFF mode. The other way to perform this operation is described in item “Sound settings” above.

Note: RDS (Radio Data System) service availability varies with areas. Please understand if RDS service is not available in you area, the following service is not available, either.

AF (Alternative Frequencies) function

Press the AF button on the panel to select AF ON or AF OFF.

When the radio signal strength is poor, enabling the AF function will allow the unit to automatically search another station with the same PI (Program Identification) as the current station but with stronger signal strength.

PS (Program Service name): the name of station will be display instead of frequency.

If RDS service is not available in your area, turn off the AF mode. Default setting is ON.

TA (Traffic Alarm) function

Press the TA button on the panel to select TA ON or TA OFF.

In TA mode traffic program will be automatically searched, until the program is received. When traffic announcement is received the unit will temporarily switch to the tuner mode (regardless of the current mode) and begin broadcasting the announcement. After the traffic announcement is over, it will return to the previous mode and volume level.

PTY (Program Type)

Press PTY/CLK button on the panel to show the music type. Then press 1-6 numbered buttons to choose different music programs available.

Press PTY/CLK button twice to show the speech type program. Then press 1-6 button to choose different speech programs. Each number button will show 3 different speech programs for you to choose (see table below).

Button Number	Music group	Speech group
1	Pop, Rock	News, Affairs, Info
2	Easy, Light	Sport, Educate, Drama
3	Classics	Culture, Science, Varied
4	Jazz, Country	Weather, Finance, Children
5	Nation, Oldies	Social, Religion, Phone IN
6	Folk	Travel, Leisure, Document

When PTY is selected, the radio starts to search corresponding PTY information, and stops if the corresponding PTY information is detected. If no buttons are pressed within several seconds, previously selected PTY is searched. During 1 loop, if desired PTY is not found, the unit will return to previous mode. Press PTY button for the 3rd time to switch the PTY function off.

Other parameter setting

To choose the corresponding parameter, press and hold SEL knob for 2 seconds, and then press it repeatedly until the display shows the parameter. Turn VOL knob or press VOL+/VOL- buttons on the RC to choose the needed value. After choosing, please leave the unit idle to activate.

TA SEEK/TA ALARM

In TA SEEK mode, the unit will seek for traffic announcement program when TA is pressed; in TA ALARM the unit does not retune to TA information.

MASK DPI/MASK ALL

During MASK DPI mode, the unit will mask only the AF which has different PI, this is the default mode; during MASK ALL mode, the unit will mask the AF which has different PI and no RDS signal with high field strength.

RETUNE S/L - SHORT/LONG

“RETUNE” refers to the time period the unit allows for radio scan when reception is interrupted. “S” represents a long time period of 30 seconds, and “L” represents a short time period of 90 seconds.

Disc operations

Disc glossary

PBC (PlayBack Control)

PBC is a menu recorded on the disc with SVCD or VCD2.0 format. For the discs contained PBC, it can playback interactive software with the menu displayed on TV. And if the disc contains still images, it can playback high definition of still image.

Title

The title is the important part of DVD disc. The memory volume of the disc is rather big, that makes possible to record several films on one disc. For example, if a disc contains three films, they may be divided into Title 1, Title 2 and Title 3. You can easy use the functions of looking-for.

Chapter

A title can be divided into several blocks, so that every block can be operated as a unit, the unit is called chapter. The chapter contains a unit at least.

Track

It is the biggest component of VCD. Generally, every song of karaoke disc is a track.

Discs for playback

- This unit can play disc types: CD-R/-RW/DVD±R/±RW.
- Compatible with formats: DVD/ DVD±R/ DVCD/SVCD/VCD/CDDA/MP3/WMA/CD/Picture-CD/Photo-CD/CD-R/CD-RW/JPEG/DivX(4.0/5.0)/MPEG4.

- The following file types are supported:

Audio files: MP3 (*.mp3)

WMA (*.wma)

Video files: MP4 (*.avi, DIVX3.11/4.0/5.0/6.0 and XVID)

MPEG 2(*.vob)

MPEG 1(*.dat)

Picture file: JPEG (*.jpg)

- ISO 9660 or ISO 9660 +Joliet format - Max. 30 characters
- Max. Track number is 448

- Max. nested directory is 8 levels
- The max. album number is 99
- The max. length of each track is 99 minutes 59 seconds
- Supported sampling frequency for MP3 disc: 8 KHz – 48 KHz (44.1 KHz preferably)
- Supported bit-rates of MP3 disc are: 32 - 320 kbps (128 kbps preferably).
- Following formats are NOT supported *.ACC, *.DLF, *.M3U, *.PLS, MP3 PRO, files with DRM.
- Open session discs are NOT supported.

Loading/Eject a disc

- Open the front panel. Insert a disc with the printed side facing upward into the slot. The word “LOAD” will be displayed and the CD will play automatically.
- Open the front panel and press EJECT button to eject the disc. If the disc is not removed from the slot within 10 seconds, it will automatically be loaded into the slot again. When the disc is ejected and removed, the unit will automatically switch to radio mode.

Playing/pausing

- When the disc has been already loaded press the PLAY/PAUSE button on the RC to start playback.
- To ensure good system performance, wait until the unit finishes reading the disc information before proceeding.
- Press and hold for 2 seconds the SET/PAU button on the panel or press shortly the PLAY/PAUSE on the RC to pause the playback. Press again to resume the playback.

Stop playback

During playback press and hold 5/STOP button on the front panel or press STOP/REVERSE button on the RC to stop playback. The unit will memorize the stop point, and after resuming the playback, it will be started from the point. To stop playback completely, press the button twice.

Playing the previous/next track

During playback press PREV button on the RC or on the panel to play the previous track.
Press NEXT button on the RC or on the panel to play the next track.

Scanning forward and backward

Press and hold PREV or NEXT button on the RC or on the panel to fast the playing in backward or forward direction. Release the button when the desired location is found.

Slow playback (for DVD/VCD)

During playback press SLOW button on the RC for slow playback. With each consecutive pressing of SLOW button, the playback speed changes: X1/2 => X1/3 => X1/4 => X1/5 => X1/6 => X1/7 => Normal.

During slow forward, press PLAY/PAUSE button to resume normal playback.

Repeat playback

Press and hold for 2 seconds 2/RPT button on the front panel or press shortly AMS/RPT button on the RC to select a repeat playback mode. Repeat modes may differ depending on the disc type (track/chapter/title repeat, disc repeat, repeat off).

Random playback

Press and hold for 2 seconds 4/RDM button on the front panel or press shortly LOC/RDM button on the RC to start the random playing of tracks/chapters. Press again the button to cancel.

Intro playback

You can play the beginning of every track for 10 seconds in sequence. Press and hold for 2 seconds 3/INT button on the panel to start intro play. Press again to cancel.

On-screen display

Press and hold for 2 seconds 1/OSD button on the panel or shortly press OSD on the RC. The display will show the current track/title/total amount of tracks/titles, current chapter/total amount of chapters, disc playback time elapsed.

Changing size

Press ZOOM button on RC. The picture size will be changed in the following sequence: X2, X3, X4, 1/2, 1/3, 1/4, OFF.

Selecting the audio language (for DVD only)

Press AUDIO button on RC or press the SEL button to select AUDIO and then rotate the VOL knob to select the audio language (if DVD disc supports several audio languages).

Changing angle (for DVD only)

If DVD disc supports multi-angle playback, press ANGLE button on RC to play images in different camera angles. If discs doesn't support multi-angle playback, this function will not work.

Selecting the subtitle (for DVD only)

Press SUB-T button on RC repeatedly to select the subtitle language (if supported by the disc used).

Title playing (for DVD only)

- Press TITLE button on the RC to activate the disc title list on the screen.
- Press the cursor buttons on the RC to select the desired title or press the number buttons to insert the desired number directly.
- Press ENTER button or PLAY/PAUSE button to confirm the selected item and start playing.

PBC (Playback Control) function (for VCD only)

If you insert a VCD with PBC, playback starts from the beginning of the 1st track automatically.

1. Press PBC/MENU button on the RC to activate PBC menu on screen during playback.
2. If the menu consists a list of titles, you can select a desired one using the cursor buttons on the RC or digit buttons.
3. The VCD starts playing the selected title automatically or press ENTER button to confirm the selected track for playback.
4. Press PBC/MENU button again to exit menu.

GOTO function

During the playback press GOTO button on the RC to enter the search mode. Use the digital buttons and cursor buttons to input the desired track/chapter number or time. Press ENTER to start its playing.

Program playing

During playback press ST/PROG button on the RC to open the program menu. Press number buttons to select the track/chapter number and then press cursor buttons to move the cursor to PLAY.

Press ENTER to start program playing. You can choose CLEAR ALL, to cancel the settings. Press ST/PROG button to exit the program function.

TV type select (for DVD/VCD)

Press BND/NP/SUB button on the panel or BND/SYS button on the RC to select the TV type: NTSC => PAL => PAL-M => PAL-N => AUTO.

Notes on MP3 and WMA

- MP3 is short for MPEG Audio Layer 3 and refers to an audio compression technology standard.
- This product allows playback of MP3 files on CD-ROM, CD-R or CD-RW discs.
- The unit can read MP3 files written in the format compliant with ISO 9660. However it does not support the MP3 data written by the method of packet write.
- The unit can not read an MP3 file that has a file extension other than “.mp3”.
- If you play a non- MP3 file that has the “.mp3” extension, you may hear some noise.
- In this manual, we refer to what are called “MP3 file” and “folder” in PC terminology as “track” and “album”, respectively.
- Maximum number of directory level is 8, including the root directory. Maximum number of files and folders per disc is 256.
- The unit may not play tracks in the order of Track numbers.
- The unit plays only the audio tracks if a disc contains both audio tracks and MP3 files.
- When playing a disc of 8 kbps or “VBR”, the elapsed playing time in the display window will not be correct and also the intro play may not function properly. “VBR”: Variable Bit Rate.
- The unit supports the playback of WMA files. The playback of ID3 tags for WMA format is not guaranteed, it depends on versions and availability of Cyrillic alphabet.
- WMA (Windows Media Audio) – music data compression format, created by Microsoft Corporation. This format uses coding algorithm for compression of initial audio-record, greatly decreasing the file size, but, saving the good sound quality even when the bit rate is low (for example, 64 Kbit/s).
- Remember that the unit may not play the tracks in order they are written on disc.

Notes on creating your own CD-Rs or CD-RWs containing MP3 files

- To enjoy high quality sound, we recommend converting to MP3 files with a sampling frequency of 44.1 kHz and a fixed bit rate of 128 kbps.
- DO NOT store more than 256 MP3 files per disc.
- For ISO 9660 - compliant format, the maximum allowable depth of nested folders is 8, including the root directory (folder).

- When CD-R disc is used, playback is possible only for discs, which have been finalized.
- Make sure that when MP3 CD-R or CD-RW is burned that it is formatted as a data disc and NOT as an audio disc.
- You should not write non-MP3 files or unneeded folders along with MP3 files on the disc otherwise it takes a long time until the unit starts to play MP3 files.
- With some CD-R or CD-RW media, data may not be properly written depending on their manufacturing quality. In this case, data may not be reproduced correctly. High quality CD-R or CD-RW disc is recommended.
- Up to 16 characters are displayed for the name of an Album or a Track. ID3TAG version 1.x is required.
- Note that the unit may not play Tracks in the order that you wrote them to the disc.

System setup

Press SETUP button on the RC or 6/SET/PAU button on the panel to display setup screen, use LEFT/RIGHT cursor buttons and ENTER button to select the desired setup page: System, Language, Audio, Video, Speaker, Digital. In the selected page select an option using UP/DOWN cursor buttons, then press RIGHT cursor button to go to setting list. Use UP/DOWN cursor buttons to select the needed setting.

System setup

TV system

Select the TV system in the setting menu (NTSC, PAL, PAL-M, PAL-N, AUTO).

Screen saver

The screen saver appears if disc stops for more than 3 minutes.

Original setting: On.

TV type

Select TV type to watch wide screen movies.

4:3 PS: For 4:3 TV, left and right edges will be cut.

4:3 LB: For 4:3 TV, black bars will appear on top and bottom.

16:9: For 16:9 wide screen TV.

Password

Original password is 0000.

Rating

The rating of the disc is from 1 to 8:

1 (KID SAFE) with the most limits when playing.

8 (ADULT) with the least limits when playing.

Original setting: 8.

Note: The rating can be selected only under the password unlocked status, and the limits can be worked only under the password locked status.

Default

If this item is selected, the unit will return to original setting.

SYSTEM SETUP

TV SYSTEM
SCREEN SAVER
TV TYPE
PASSWORD
RATING
DEFAULT

Language setup

OSD language

Select the language to be used for the on-screen display.

Audio language

Select the language to be used for the audio. You can select a preferred audio from those included on the DVD video disk. (The screen on your player may have difference with the screen shown here)

Subtitle language

Select the language to be used for the Subtitles. You can select a preferred subtitle from those included in the DVD Video disk.

(The screen on your player may have difference with the screen shown here)

Menu language

Select the language to be used for the Menu. You can select a preferred audio from those included on the DVD. (The screen on your player may have difference with the screen shown here.)

LANGUAGE SETUP

OSD LANGUAGE
AUDIO LANG
SUBTITLE LANG
MENU LANG

Audio setup

Audio output

Select digital output format.

SPDIF/OFF: There is no signal output from coaxial or optical output.

SPDIF/RAW: When the unit is connected with the amplifier by coaxial or optical connector, please select this mode.

SPDIF/PCM: When the unit is connected with the two-channel digital stereo amplifier, please select this mode.

Key

Select key up/down according to your preference.

AUDIO SETUP

AUDIO OUT
KEY

Video setup

Set a parameter with UP/DOWN cursor buttons: Brightness, Contrast, Hue, Saturation, Sharpness.

VIDEO SETUP

BRIGHTNESS
CONTRAST
HUE
SATURATION
SHARPNESS

Speaker setup

Downmix

LT/RT: The audio out is Left and Right channels format even if the original sound is 5.1 CH format.

Stereo: The audio out format is stereo even if the original sound is 5.1 CH format.

Vss: The audio out is virtual surround sounds (only for 5.1 CH player).

SPEAKER SETUP

DOWNMIX

Digital setup

Output mode

Select the output mode:

LINE OUT: Compress the input signal. The volume is small.

RF REMOD: The volume is large.

Dynamic range

When you select the compressed mode as “line out”, select it to adjust the compression proportion and get the different compressed effect. When select FULL, the audio signal is minimum; when select OFF, the audio signal is maximum.

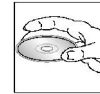
Dual mono: Select the audio channel from STEREO, MONO L, MONO R and MIX MONO.

DIGITAL SETUP

OP MODE
DYNAMIC RANGE
DUAL MONO

Handling compact discs

- Dirty, scratched or warped discs may cause skip ping or noise.
- Handle the disc only by the edges. To keep clean do not touch its surface.
- Discs should be stored in their cases after use to avoid scratches.
- Do not expose discs to direct sunlight, high humidity, high temperature or dust.
- Prolonged exposure to extreme temperature can warp the disc (such as leaving the discs in your car during summertime).
- Do not stick or write anything on either side of disc. Sharp writing instruments, or the inks used in some felt-tip pens, may damage its surface.
- Do not touch the unlabeled side. Do not attach any seal, label or data protection sheet to either side of a disc.
- This unit cannot play 3-inch (8cm) CDs.
- Never insert a 3-inch CD contained in the adapter or an irregularly shaped CD. The unit may not be able to eject it, resulting in a malfunction.



Cleaning

Cleaning the cabinet

Wipe with a soft cloth. If the cabinet is very dampen (not dropping wet) the cloth with a weak solution of soapy water, and then wipe clean.

Cleaning discs

Fingerprints should be carefully wiped from the surface of disc with a soft cloth. Unlike conventional records, compact discs have no grooves to collect dust and macroscopic dirt, so gently wiping them with a soft cloth should remove most particles. Wipe in a straight motion from the center to the edge. Never use thinner benzine, record cleaner or anti static spray on a compact disc. Such chemicals can damage its plastic surface.



Troubleshooting guide

Symptom	Cause	Solution
No power	The car ignition is not on. The fuse is blown.	If the power supply is properly connected to the car accessory switch the ignition key to "ACC". Replace the fuse.
Disc cannot be loaded.	Presence of disc inside the player.	Remove the disc in the player then put a new upward.
Disc cannot be read.	Inserting the disc in upside down. Compact disc is extremely dirty or defective. Temperature inside the car is too high.	Insert the compact disc with the label facing upward. Clean the disc or try to play a new one. Cool off until the ambient temperature returns to normal.
No sound	Volume is in minimum. Wiring is not properly connected.	Adjust volume to a desired level. Check wiring connection.
The buttons do not work.	The built-in microcomputer is not operating properly due to noise. Front panel is not properly fix into its place.	Press the power button for about 10 seconds to reset the unit
Sound skips.	The installation angle is more than 30 degrees. The disc is extremely dirty or defective.	Adjust the installation angle to less than 30 degrees. Clean the compact disc/try to play a new one.
The radio does not work, the radio station automatic selection does not work.	The antenna cable is not connected the signals are too weak.	Insert the antenna cable firmly select a station manually.

Specification

General	
Power supply:	12V DC
Current consumption/Fuse:	10A & 1A
Maximum power output:	50Wx4 channels
Dimensions (W x H x D)	178 x 51 x 178 mm
Working temperature range:	-20°C - +60°C
FM Stereo Radio	
Frequency range:	87.5 - 108.0 MHz
Usable sensitivity	3 uV
I.F. Frequency:	10.7 MHz
AM (MW) Section	
Frequency range:	522 kHz-1620 kHz
Disc player	
Formats:	DVD/SVCD/VCD/MP4/MP3/WMA/CD/HDCD/DVD Audio/MPEG4/DivX/Picture-CD/Photo-CD/CD-R/CD-RW/DVD±R/JPEG
Video System/ Audio System	Standard NTSC/PAL / 24 bit/96 KHz
Loading System	Auto Loading
Mounting Angle	0 to +/-30
Video Specification	
Video System	16:9 and 4:3
Video Output level	1.0Vp-p 75 ohms
Horizontal Resolution	500
Audio Specification	
Maximum Output	2Vrms(+/-3dB)
Frequency Response	20 to 20KHz

S/N Ratio (A-vtd)/Separation	60dB/50dB
Line out	
Output:	CD max 1000 mV

Specifications are subject to change without notice. Dimensions are approximate.

Уважаемый покупатель!

Благодарим Вас за покупку нашего изделия. Для обеспечения безопасности рекомендуется тщательно изучить настоящее руководство перед подключением, эксплуатацией и/или регулировкой изделия, и сохраняйте руководство для использования в будущем.

Содержание

Содержание	33
Меры предосторожности	34
Комплект поставки	35
Установка/подключение	36
Элементы управления	42
Основные операции	45
Операции с радио	47
Воспроизведение дисков	51
Операции с меню	59
Обращение с компакт-дисками	63
Чистка и уход	63
Руководство по исправлению неисправностей	64
Технические характеристики	65

Меры предосторожности

- Тщательно изучите настоящую инструкцию, чтобы ознакомиться с устройством.
- Началом эксплуатации устройства считается момент его установки в автомобиль. Перед началом использования аппарата в зимний период рекомендуется прогреть салон автомобиля в течение 20 минут или до достижения эксплуатационного диапазона температуры аппарата.
- Использование аппарата при температуре, выходящей за рамки эксплуатационного диапазона температур, значительно снижает ресурс работы экрана и других компонентов аппарата и может привести к выходу аппарата из строя.
- При установке и подключении изделия отключите отрицательную клемму аккумулятора автомобиля.
- При замене предохранителя, убедитесь, что вы устанавливаете предохранитель с тем же номиналом. Используя предохранитель с повышенным значением тока, можно причинить значительные повреждения изделию.
- Не пытайтесь разбирать изделие. Лазерные лучи, исходящие из блока оптической головки считывания информации с компакт-диска, опасны для глаз.
- Не используйте устройство в местах, где оно может подвергнуться воздействию воды, влаги и пыли.
- Убедитесь, что шпильки или другие посторонние предметы не попали внутрь изделия. Они могут вызвать сбой в работе или стать причиной опасности, возгорания или поражения лазерным лучом.
- Не открывайте крышки и не проводите ремонт самостоятельно. Обратитесь к дилеру или квалифицированному персоналу.
- Убедитесь, вы отключили источник питания и антенну, если вы не будете пользоваться системой в течение длительного времени или во время грозы.
- Убедитесь, что вы отключили источник питания, если обнаружена неправильная работа системы, система издает необычные звуки, запах, выделяет дым или внутрь ее попала жидкость. Проведите квалифицированный технический осмотр системы.
- Прибор разработан так, чтобы отрицательный вывод аккумулятора был подключен к корпусу транспортного средства. Пожалуйста, убедитесь в этом перед установкой.
- Не позволяйте проводам динамиков касаться друг друга или корпуса автомобиля после включения прибора. В противном случае, может быть перегружен или выйти из строя усилитель.

Комплект поставки

1.	Ресивер	1 шт
2.	Передняя панель	1 шт
3.	Пульт дистанционного управления	1 шт
4.	Защитный футляр	1 шт
5.	ISO коннектор	1 шт
6.	Детали для установки:	
	Шестигранная гайка	1 шт
	Кожух	1 шт
	Ключ-съемник	2 шт
	Металлическая пластина	1 шт
	Плоская шайба	2 шт
	Внешняя рамка	1 шт
	Пружинная шайба	2 шт
	Винт (5X25 мм)	1 шт
	Винт М5 (5X29.3 мм)	1 шт
7.	Информация для потребителя	1 шт
8.	Гарантийный талон	1 шт
9.	Инструкция по эксплуатации	1 шт

Установка/подключение

- Перед окончательной установкой устройства временно подключите все провода и убедитесь, что все соединения сделаны верно, а устройство и система работают правильно.
- Для обеспечения правильной установки устройства используйте только те детали, которые входят в комплект. Использование других приспособлений может привести к появлению сбоев в его работе.
- Если для установки устройства необходимо сверлить отверстия в кузове автомобиля или вносить какие-либо другие изменения в его конструкцию, проконсультируйтесь с продавцом.
- Устанавливайте устройство там, где оно не будет находиться на пути водителя и не сможет нанести ранения пассажирам в случае внезапной остановки автомобиля, например, при экстренном торможении.
- Если при установке устройства угол относительно горизонтальной плоскости превышает 30° , рабочие характеристики проигрывателя могут быть не оптимальны.
- Никогда не устанавливайте устройство в таких местах, где оно будет подвергаться воздействию высокой температуры, например, в местах попадания прямых солнечных лучей, в местах выхода горячего воздуха от отопителя автомобиля, в местах, где очень грязно или пыльно, или там, где устройство будет подвергаться сильной вибрации.
- Перед установкой устройства обязательно снимите переднюю панель.

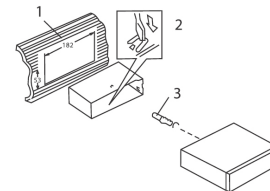
Установка устройства в приборную панель автомобиля «спереди» или «сзади»

Данное устройство может быть установлено либо «спереди» (обычная установка стандарта DIN в приборную панель автомобиля), либо «сзади» (установка стандарта DIN, при которой используются отверстия на боковых сторонах корпуса проигрывателя, имеющие резьбу под винты). Более подробно методы установки А и Б описываются ниже.

Установка устройства в приборную панель автомобиля «спереди» (Метод А)

Установка устройства

1. Приборная панель автомобиля
2. Монтажный кожух.



3. Винт
4. Гайка(5 мм)
5. Пружинная шайба
6. Винт (5 x 25 мм)
7. Опорная планка.
8. Плоская шайба

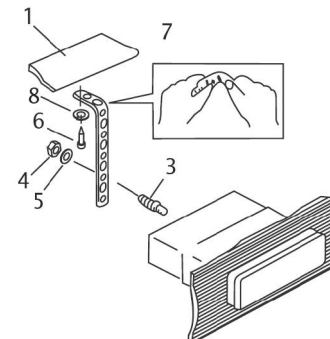
1. Установите монтажный кожух в приборную автомобиля, убедитесь, что он установлен правильной стороной и нет препятствий (провода, элементы приборной панели) для установки магнитолы.

2. После установки монтажного кожуха в приборную панель отогните на нем металлические язычки, соответствующие толщине приборной панели. Это позволит закрепить кожух на месте.

3. Обязательно используйте опорную планку для закрепления задней стороны проигрывателя. Определите место крепления и установите ее согласно приведенному рисунку. Планку можно согнуть руками под нужным углом.

4. Подключите необходимые провода и разъемы. Убедитесь в правильности подключения.

5. Установите магнитолу в монтажный кожух до фиксации боковых защелок.



Снятие устройства

а – Декоративная рамка

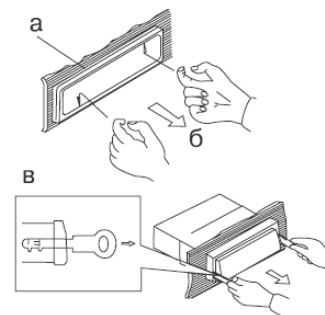
б – Направление снятия рамки

в – Установка ключей съемников

1. Выключите магнитолу и снимите переднюю (для моделей со съемной передней панелью)

2. Вставьте пальцы в канавку на передней стороне декоративной рамки (рамка снимается с небольшим усилием). Потяните рамку на себя, чтобы снять ее.

3. Вставьте входящие в комплект ключи съемники с обеих сторон корпуса устройства, как показано на рисунке, до щелчка. Для того чтобы извлечь устройство



из приборной панели, потяните за съемники или магнитолу и вытяните её на себя (перед снятием убедитесь, что магнитола не зафиксирована с опорной планкой).

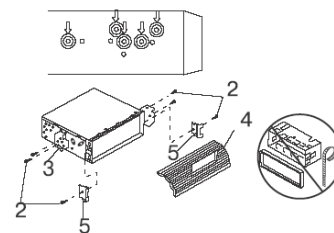
Установка декоративной рамки

Для установки декоративной рамки прижмите ее к корпусу устройства и нажмите, чтобы вставить на место. Это необходимо сделать до установки передней панели, иначе вы не сможете установить декоративную рамку на место (При установке рамки на место направьте сторону с канавкой вниз и закрепите ее.).

Установка устройства в приборную панель автомобиля «сзади» (Метод Б)

В данном случае установки используются отверстия для винтов на боковых сторонах устройства. Закрепите устройство с помощью штатных кронштейнов крепления радиоприемника.

1. Выберите такое положение, в котором отверстия для винтов на кронштейне (3) будут совмещены с отверстиями для винтов на корпусе устройства и вкрутите по два винта (2) с каждой стороны.
2. Винт.
3. Монтажный кронштейн штатного радиоприемника.
4. Приборная панель или консоль автомобиля.
5. Зашелка (снимите эту деталь).



Примечание: При установке по методу Б монтажный кожух и внешняя декоративная рамка не используются.

Внимание: Панель может повредиться из-за внешних факторов: тряски, ударов. После снятия ее с устройства держите панель в защитном футляре и старайтесь не ронять и не наносить физических повреждений.

Очень важным элементом является коннектор на задней части панели. Не нажимайте на нее ногтями, ручками, отвертками.

Примечание: Если панель загрязнилась или запылилась, протрите ее сухой чистой тканью. Для чистки разъема в задней части панели используйте тампон, смоченный изопропиловым спиртом.

Операции со съемной панелью

Снятие съемной панели

1. Нажмите кнопку OPEN на передней панели, чтобы откинуть панель.
2. Сдвиньте панель в левую сторону и вытяните ее на себя.

Установка съемной панели

- Держите панель так, чтобы ее лицевая сторона была направлена вниз. Установите левую нижнюю часть панели в левый кронштейн устройства.

Внимание: Панель нужно установить точно в кронштейн.

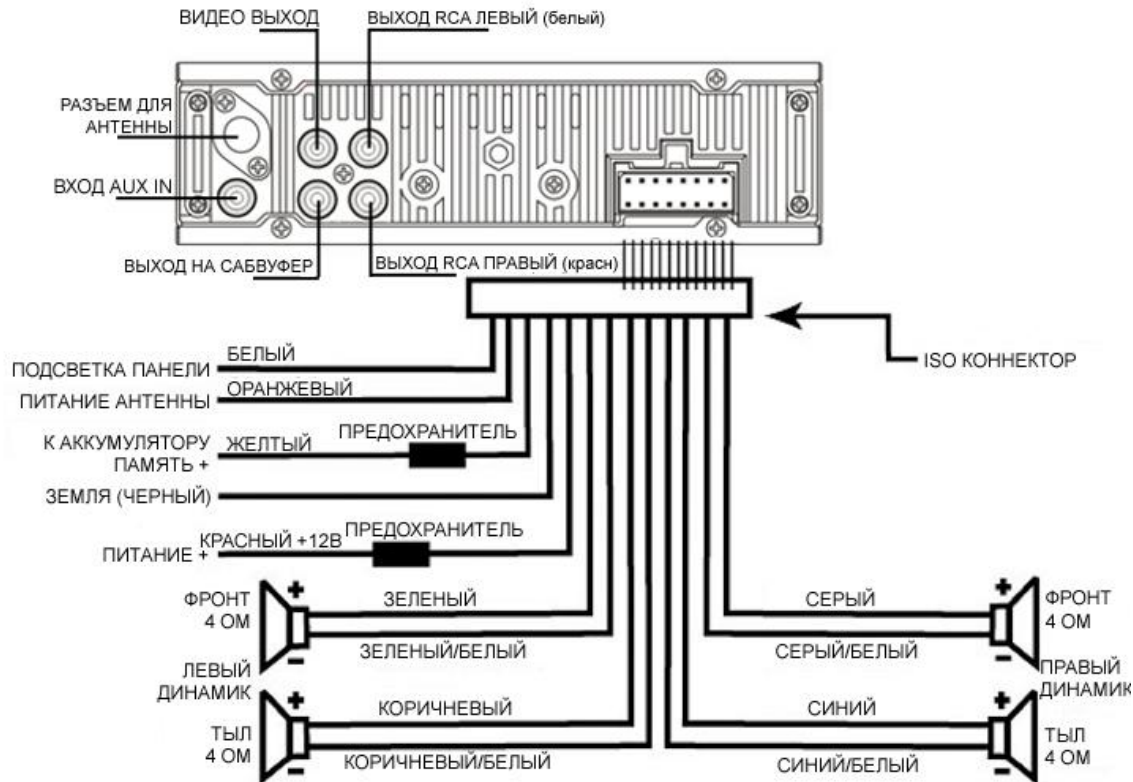
- Нажмите на панель в левую сторону, установите правую нижнюю часть в правый кронштейн устройства.
- Поднимите панель. Нажмите на правую верхнюю часть панели, чтобы она защелкнулась.

Система против кражи

Если данное устройство не используется, переднюю панель можно отсоединить и поместить в защитный футляр, входящий в комплект поставки. Панель в футляре можно взять с собой, когда Вы покидаете автомобиль. Это позволяет избежать кражи панели.

Отключите питание устройства. Снимите переднюю панель и поместите ее в предохранительный футляр.

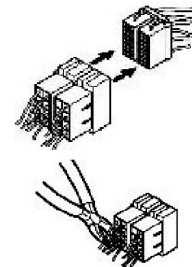
Схема подключения



- Независимо от размера динамиков, следует использовать динамики с сопротивлением 4 Ом.
- Не допускайте короткого замыкания проводов динамиков на корпус головного устройства или автомобиля.

Использование разъема ISO

1. Если в Вашем автомобиле есть разъем ISO, произведите подключение, как показано на рисунке.
2. Для подключений без разъемов ISO внимательно проверьте все провода перед подключением, неправильное подключение может привести к повреждениям изделия. Обрежьте разъем, подключите цветные головки разъема к шнуру питания батареи в соответствии с приведенной таблицей.

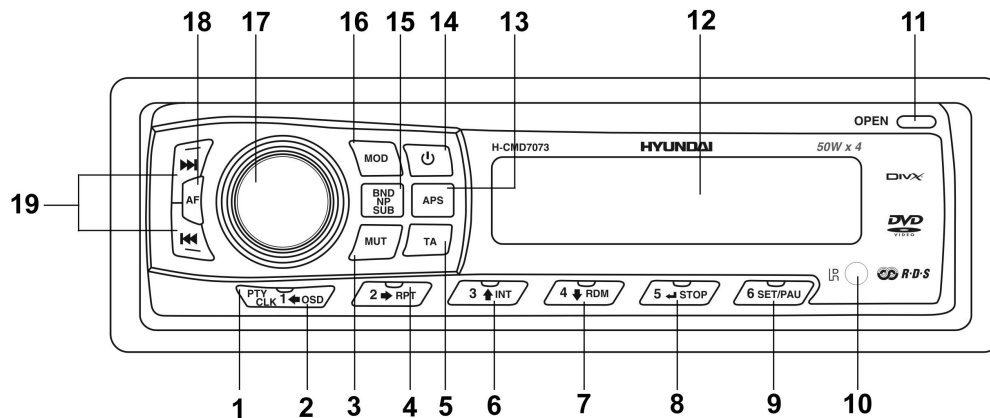


Номер	Функция	
	Разъем А	Разъем В
1		Задний правый(+)--Голубой
2		Задний правый(--Голубой/Белый
3		Передний правый(+)--Серый
4	Питание 12В (+)/желтый	Передний правый(--Серый/Белый
5	Авто антенна /синий	Передний левый(+)--Зеленый
6	Подсветка панели/белый	Передний левый(--Зеленый/Белый
7	АСС+/красный	Задний левый(+)--Коричневый
8	Земля/черный	Задний левый(--Коричневый/Белый

Элементы управления

Передняя панель

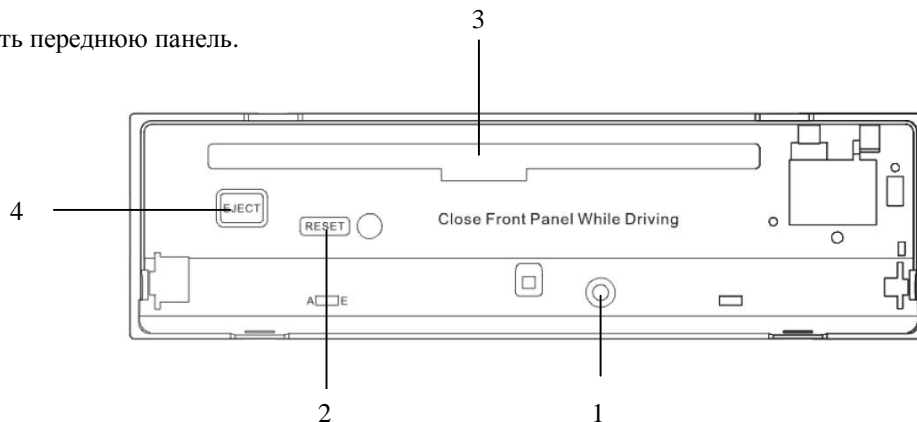
1. Кнопка PTY/CLK
2. Кнопка 1/ВЛЕВО/OSD
3. Кнопка MUTE
4. Кнопка 2/ВПРАВО/RPT
5. Кнопка TA
6. Кнопка 3/ВВЕРХ/INT
7. Кнопка 4/ВНИЗ/RDM
8. Кнопка 5/STOP
9. Кнопка 6/SET/PAU
10. ИК сенсор
11. Кнопка OPEN
12. Дисплей
13. Кнопка APS
14. Кнопка POWER
15. Кнопка BND/NP/SUB
16. Кнопка MODE
17. Регулятор VOL/кнопка SEL
18. Кнопка AF
19. Кнопки PREV/NEXT



Внутренняя панель

Нажмите кнопку OPEN, чтобы откинуть переднюю панель.

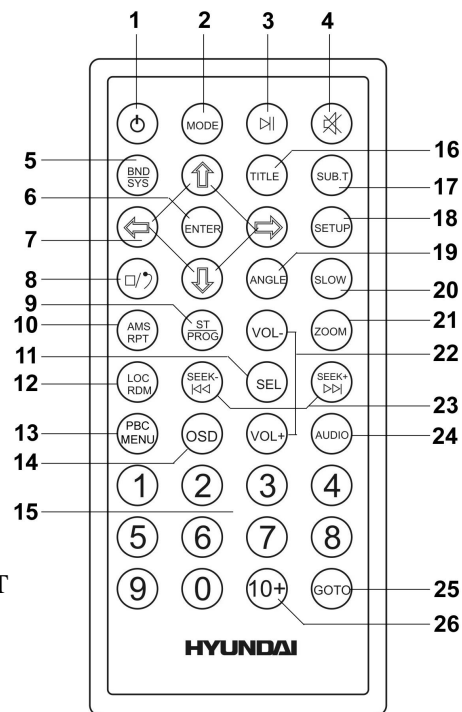
1. Индикатор состояния панели
2. Кнопка (отверстие) RESET
3. Слот для диска
4. Кнопка EJECT



Примечания: При нажатии кнопки RESET все выполненные установки будут удалены из памяти устройства. Индикатор состояния панели загорается, когда панель опущена, и мигает при снятии панели. Надпись на внутренней панели: «При движении автомобиля передняя панель должна быть закрыта».

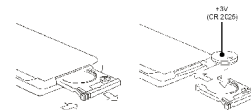
Пульт дистанционного управления (ПДУ)

1. Кнопка POWER
2. Кнопка MODE
3. Кнопка PLAY/PAUSE
4. Кнопка MUTE
5. Кнопка BND/SYS
6. Кнопка ENTER
7. Кнопки курсора ВВЕРХ/ВНИЗ/ВПРАВО/ВЛЕВО
8. Кнопка STOP/REVERSE
9. Кнопка ST/PROG
10. Кнопка AMS/RPT
11. Кнопка SEL
12. Кнопка LOC/RDM
13. Кнопка PBC/MENU
14. Кнопка OSD
15. Кнопки с цифрами
16. Кнопка TITLE
17. Кнопка SUB-T
18. Кнопка SETUP
19. Кнопка ANGLE
20. Кнопка SLOW
21. Кнопка ZOOM
22. Кнопки VOL-/VOL+
23. Кнопки SEEK-/SEEK+/PREV/NEXT
24. Кнопка AUDIO
25. Кнопка GOTO
26. Кнопка 10+



Замена батарей в пульте управления:

Откройте отсек для батарей в направлении, указанном стрелкой. Замените старую батарею на новую (CR 2025 3V), соблюдая полярность. Закройте отсек для батарей.



Основные операции

Перезапуск устройства

Нажмите на панели кнопку OPEN. Нажмите кнопку сброса RESET, расположенную за передней панелью. Эта мера необходима в следующих ситуациях: исходная установка устройства после подключения, никакие кнопки не действуют, на дисплее появляются символы ошибок.

Кнопка включения

Нажмите любую кнопку (кроме кнопки OPEN на панели), чтобы включить устройство. Нажмите кнопку POWER, чтобы выключить питание.

Внимание: Когда Вы выключаете систему или зажигание автомобиля, время, громкость звука и настройки радио будут сохранены в памяти устройства, и при включении установки вернуться к сохраненным значениям.

Регулировка звука

Вращайте регулятор VOL по часовой стрелке, чтобы увеличить уровень громкости. Вращайте против часовой стрелки, чтобы понизить уровень громкости. Или используйте кнопки VOL+/VOL- на ПДУ для настройки громкости звука.

Выключение звука

Когда питание устройства включено, нажмите кнопку MUTE, чтобы выключить звук. Нажмите кнопку еще раз, чтобы включить звук.

Выбор режима

Нажимайте кнопку MODE, чтобы выбрать режим работы устройства: AUX IN => RADIO => DISC.

Примечание: Режим DISC доступен только если диск установлен в слот.

Режим сабвуфера

Нажмите и удерживайте кнопку BND/NP/SUB, чтобы включить режим выхода на сабвуфер.

Регулировка параметров аудио

Нажимайте кнопку SEL на передней панели или на ПДУ, чтобы выбрать параметр: VOL (громкость) => BAS (низкие частоты) => TRE (высокие частоты) => BAL (баланс левые/правые динамики) => FAD (баланс задние/передние динамики) => LOUD (тонокомпенсация) => LOC (локальные/удаленные станции) => ST (стерео/моно) => EQ (эквалайзер) => COLOR (выбор цвета подсветки).

Вращайте регулятор VOL или нажимайте кнопки VOL +/VOL- на ПДУ, чтобы отрегулировать выбранный параметр:

- VOL: 00, 02,....., 38, 39
- BAS/TRE: -7, -6,....., 0, +1, +2,.....+6, +7
- BAL: 7L, 6L,....., L=R, 1R,.....,7R
- FAD: 7R, 6R,....., R=F, 1F,....., 7F
- LOUD: ON (ВКЛ)/OFF (ВЫКЛ)
- LOC: ON (ВКЛ – локальные)/OFF (ВЫКЛ – удаленные)
- ST: ON (стерео)/OFF (моно)
- EQ: CLASS, POP, ROCK, FLAT, OFF (ВЫКЛ)
- COLOR: COLOR1 (зеленый), COLOR2 (красный).

Внимание: Каждая настройка отображается на дисплее в течение 5 секунд. Если в течение этих 5 секунд ни одна кнопка не была нажата, дисплей вернется в обычный режим.

Установка и отображение часов

В режиме радио нажмите и удерживайте кнопку PTY/CLK, чтобы часы отобразились на дисплее. Затем нажмите и удерживайте кнопку PTY/CLK, чтобы войти в режим установки времени. Вращайте регулятор VOL или нажимайте кнопки VOL+/VOL- на ПДУ, чтобы выставить часы. Нажмите кнопку SEL для перехода в режим установки минут. Вращайте регулятор VOL или нажимайте кнопки VOL+/VOL- на ПДУ, чтобы выставить минуты.

Еще раз нажмите кнопку PTY/CLK, чтобы сохранить настройки, или через 5 секунд устройство автоматически вернется к текущему режиму.

Операции с радио

Выбор диапазона

Нажимайте кнопку BND/NP/SUB на передней панели или кнопку BND/SYS на ПДУ, чтобы выбрать диапазон: FM1, FM2, FM3, AM1 (MW1), AM2 (MW2). В каждом диапазоне можно сохранить до 6 радиостанций, общее количество сохраняемых радиостанций составляет 30.

Ручной/автоматический поиск радиостанций

- **Автоматический поиск:** Нажмите и удерживайте в течение 2 секунд кнопки PREV/NEXT на панели или кнопки SEEK+/- на ПДУ, чтобы начать автоматический поиск. Поиск прекратится при приеме первой станции с сильным сигналом, при этом начнется ее воспроизведение. Нажмите кнопку еще раз, чтобы найти следующую станцию.
- **Ручной поиск:** Нажимайте кнопки PREV/NEXT на панели или кнопки SEEK+/- на ПДУ, чтобы вручную уменьшить или увеличить частоту.

Сохранение и вызов радио станций

Вы можете сохранить и воспроизводить 6 радио станций в каждом из 5 поддиапазонов.

Чтобы сохранить станцию:

- Выберите диапазон.
- Выберите станцию при помощи кнопок PREV/NEXT на панели или кнопок SEEK+/- на ПДУ.
- Нажмите и удерживайте кнопку с цифрой 1~6, под которой Вы хотели бы сохранить эту станцию.

Чтобы вызвать станцию:

- Выберите диапазон.
- Нажмите кнопку с цифрой, под которой сохранена нужная станция.

Автоматическое сохранение станций

Автоматическое сохранение: Нажмите и удерживайте кнопку APS на панели или кнопку AMS/RPT на ПДУ; 6 самых сильных доступных станций будут автоматически сохранены в памяти под цифрами 1~6. Чтобы остановить автоматическое сохранение, снова нажмите эту кнопку.

Обзорное прослушивание сохраненных станций: Нажмите кнопку APS на панели или кнопку AMS/RPT на ПДУ, чтобы прослушать каждую сохраненную в текущем диапазоне станцию в течение 5 секунд. Чтобы остановить прослушивание, снова нажмите эту кнопку.

Выбор стерео/моно режима

Нажимайте кнопку ST/PROG на ПДУ для выбора режима моно или стерео. Другой способ выбора этих режимов описан выше в пункте «Регулировка параметров аудио».

Прием местных/удаленных радиостанций

Нажимайте кнопку LOC/RDM на ПДУ для выбора местного или удаленного приема радиостанций. Данная функция позволяет улучшать прием станций в зависимости от места нахождения автомобиля. Другой способ выбора этих режимов описан выше в пункте «Регулировка параметров аудио».

Примечание: Сервис RDS (Система радио данных) доступен не во всех регионах. Имейте в виду, что если услуга RDS не доступна в Вашем регионе, то данная функция не будет работать.

Функция AF (альтернативные частоты)

При слабом сигнале функция альтернативных частот позволяет приемнику настраиваться на другие станции с тем же идентификационным кодом, что и текущая станция, но с более сильным сигналом. При этом вместо частоты на дисплее появится название станции.

Нажмите кнопку AF на панели, чтобы включить или выключить функцию AF. При включенном режиме AF радио постоянно проверяет силу сигнала альтернативных частот, на которых может транслироваться RDS программа. Если сигнал слабый или исчезает, приемник будет автоматически искать другую частоту с этой программой.

Если RDS служба не доступна в Вашей местности, выключите режим AF. По умолчанию функция включена.

Если символ AF отображается на дисплее статично, это означает, что режим AF активен и идет прием информации RDS. Если символ мигает, режим активен, но информация RDS отсутствует. Если символ AF не отображается, это означает, что режим AF отключен.

Функция ТА (программы о дорожном движении)

В режиме радио нажмите кнопку ТА на панели для включения/отключения функции ТА. Начнется автоматический поиск программ дорожного движения вне зависимости от текущего режима.

Когда программа будет найдена, начнется ее трансляция. Когда программа закончится, устройство вернется к текущему режиму.

ФункцияPTY (Тип программы)

FM-станции, поддерживающие сервис RDS, передают идентифицирующий сигнал типа программы.

Нажмите кнопкуPTY/CLK на передней панели, чтобы выбрать категорию музыкальных программ. Затем нажимайте кнопки с цифрами 1-6, чтобы выбрать разные типы музыкальных программ.

Нажмите кнопкуPTY дважды, чтобы показать категорию информационных программ. Затем нажмите кнопки с цифрами 1-6, чтобы выбрать нужный тип информационных программ. Каждый номер содержит для выбора 3 разных информационных программы.

Кнопка с цифрой	Музыкальные программы	Информационные программы
1	Pop, Rock	News, Affairs, Info
2	Easy, Light	Sport, Educate, Drama
3	Classics	Culture, Science, Varied
4	Jazz, Country	Weather, Finance, Children
5	Nation, Oldies	Social, Religion, Phone IN
6	Folk	Travel, Leisure, Document

При включенной функцииPTY приемник начинает поиск соответствующего типа программы. И останавливается, когда программа найдена. Если в течение нескольких секунд ни одна программа не была выбрана, приемник настроится на предыдущую программу. Если за один цикл нужный тип программы не найден, приемник вернется к текущему режиму.

Дополнительные функции

Для выбора нужной функции нажмите и удерживайте кнопку SEL, после чего нажимайте ее до отображения на дисплее нужной функции. Вращайте регулятор VOL или нажимайте кнопки VOL+/VOL- на ПДУ, чтобы выбрать нужную опцию. После осуществления выбора несколько секунд не нажимайте никаких кнопок, чтобы активировать изменения.

Функция MASK DPI/MASK ALL

В режиме MASK DPI, устройство маскирует только альтернативные частоты с разными информационными программами. В режиме MASK ALL устройство маскирует и информационные программы, и станции, не поддерживающие RDS.

Функция TA SEEK/TA ALARM

В режиме TA SEEK устройство выполнит поиск программ о дорожном движении при нажатии кнопки TA; TA ALARM: когда выбран данный режим, функция автоматической перенастройки радиоприемника не работает. Вместо этого радиоприемник включает звуковое оповещение.

Функция RETUNE S/L - SHORT/LONG

«RETUNE» означает временной интервал прерывания радио сигнала для сканирования. «S» означает короткий интервал, составляющий 30 секунд; «L» означает длинный интервал, составляющий 90 секунд.

Воспроизведение дисков

Используемая терминология

РВС (управление воспроизведением)

Управление воспроизведением – это меню, записанное на видео компакт-дисках. Использование экранного меню видео компакт-диска с РВС, позволяет Вам пользоваться простыми интерактивными программами с функциями поиска. Вы также можете просматривать неподвижные изображения с высоким разрешением.

Раздел

Большой объем диска позволяет записывать несколько фильмов или роликов. Например, если 1 диск содержит 3 разных фильма (ролика), они подразделяются как Раздел 1, Раздел 2 и Раздел 3. Это позволяет Вам пользоваться удобными функциями поиска.

Глава

Любой раздел может состоять из отдельных блоков, каждый из которых можно просматривать отдельно. Такой блок называется главой. В каждой главе должно содержаться не меньше одного трека.

Трек

Трек – это дорожка, музыкальная или видео композиция. Например, песня, записанная на диске, является треком.

Диски для воспроизведения

- Это устройство может воспроизводить разновидности цифровых дисков: CD/DVD/CDDA/CD-R/-RW/DVD±R/±RW.
- Совместимо с форматами: DVD-video, SVCD/VCD/HDCD/MP3/MP4/WMA/Picture-CD/JPEG/ DivX/MPEG4.
- Поддерживаются следующие типы файлов:

Аудио файлы: MP3 (*.mp3)

WMA (*.wma)

Видео файлы: MP4 (*.avi, DIVX3.11/4.0/5.0/6.0 and XVID)

MPEG 2(*.vob)

MPEG 1(*.dat)

Файлы с изображениями: JPEG (*.jpg)

- ISO 9660 или ISO 9660 + формат Joliet - максимум 30 знаков.
- Максимальное число треков – 448.
- Максимальное число вложений - 8 уровней.
- Максимальное число альбомов – 99.
- Максимальная длина каждого трека - 99 минут 59 секунд.
- Поддерживаемая частота дискретизации для MP3 диска: от 8 КГц до 48 КГц (предпочтительно 44,1 КГц).
- Поддерживаемые скорости цифрового потока MP3 диска: 32 - 320 Кб/сек (предпочтительно 128 Кб/сек).
- Не поддерживаются следующие форматы: *.ACC, *.DLF, *.M3U, *.PLS, MP3 PRO, файлы с DRM.
- Диски с открытой сессией записи не поддерживаются.

Загрузка диска

- Откройте переднюю панель. Вставьте диск в слот маркированной стороной вверх. На дисплее отобразится сообщение «LOAD» и воспроизведение диска начнется автоматически.
- Откройте переднюю панель и нажмите кнопку EJECT, чтобы извлечь диск. Если диск не извлечен из слота в течение 10 секунд, он автоматически загружается обратно в слот. Когда диск будет извлечен из слота, устройство автоматически переключится в режим радио.

Воспроизведение/Пауза

- Когда диск находится в устройстве, нажмите кнопку PLAY/PAUSE на ПДУ, чтобы начать воспроизведение. Чтобы обеспечить высокое качество воспроизведения, дождитесь, пока плеер закончит читать диск, а затем начинайте воспроизведение.
- Во время воспроизведения нажмите кнопку PLAY/PAUSE, режим паузы активируется. Нажмите кнопку PLAY/PAUSE еще раз, чтобы продолжить воспроизведение.

Остановка воспроизведения

Во время воспроизведения нажмите и удерживайте кнопку 5/STOP на передней панели или нажмите кнопку STOP/REVERSE на ПДУ, чтобы остановить воспроизведение. Воспроизведение будет остановлено с запоминанием момента остановки, и при последующем запуске воспроизведение будет продолжено с этого момента. Нажмите указанную кнопку дважды, чтобы остановить воспроизведение без запоминания момента остановки.

Переход к предыдущему или следующему треку

Нажмите во время воспроизведения кнопку PREV, чтобы начать воспроизведение предыдущего трека.

Нажмите во время воспроизведения кнопку NEXT, воспроизведение начнется со следующего трека.

Ускоренное воспроизведение вперед или назад

Во время воспроизведения нажмите и удерживайте кнопки PREV/NEXT, чтобы начать ускоренное воспроизведение назад или вперед. Отпустите кнопку, когда нужный фрагмент будет найден.

Воспроизведение в замедленном режиме (для DVD/VCD дисков)

Нажимайте кнопку SLOW на ПДУ для замедленного воспроизведения; при каждом нажатии скорость будет изменяться в следующем порядке: 1/2, 1/3, 1/4, 1/5, 1/6, 1/7, нормальная.

Нажмите кнопку PLAY/PAUSE для отмены замедленного воспроизведения.

Повторное воспроизведение

Во время воспроизведения диска нажимайте и удерживайте кнопку 2/RPT на панели или нажимайте кнопку AMS/RPT на ПДУ, чтобы выбрать режим повторного воспроизведения. Режим может изменяться в зависимости от формата воспроизводимого диска (повтор трека/главы/раздела, повтор папки, повтор диска, отмена повтора).

Воспроизведение в случайном порядке

Во время воспроизведения нажмите и удерживайте кнопку 4/RDM на передней панели или нажмите кнопку LOC/RDM на ПДУ, чтобы начать случайное воспроизведение всех треков/глав на диске. Нажмите еще раз, чтобы отменить воспроизведение в случайном порядке.

Функция Intro (обзорное воспроизведение)

Вы можете последовательно воспроизводить начало каждого трека в течение 10 секунд. Во время воспроизведения треков нажмите и удерживайте кнопку 3/INT, чтобы начать воспроизведение всех треков. Нажмите кнопку еще раз, чтобы отменить функцию.

Отображение информации на дисплее

Нажимайте и удерживайте кнопку 1/OSD на панели или нажимайте кнопку OSD на ПДУ. На дисплее отобразится номер текущего раздела/общего количества разделов на диске, номер текущей главы/общего количества глав на диске, время воспроизведения и прочая информация о текущем воспроизведении.

Изменение масштаба изображения

Нажимайте кнопку ZOOM на ПДУ. Масштаб изображения при каждом нажатии будет изменяться в следующем порядке: X2, X3, X4, 1/2, 1/3, 1/4, выкл.

Выбор языка аудио (только для DVD дисков)

Нажимайте кнопку AUDIO на ПДУ, чтобы выбрать язык аудио (если DVD диск поддерживает несколько языков).

Изменение угла просмотра (только для DVD дисков)

Если DVD-диск поддерживает воспроизведение с различных точек съемки, нажмите кнопку ANGLE на ПДУ для воспроизведения эпизодов с различных точек съемки. Если диск не поддерживает многоугольное воспроизведение, эта функция не будет работать.

Изменение языка субтитров (только для DVD дисков)

Нажимайте кнопку SUB-T на ПДУ для переключения среди поддерживаемых диском языков субтитров. Если диск поддерживает только один язык субтитров, функция не будет работать.

Меню разделов (только для DVD дисков)

- Нажмите кнопку TITLE на ПДУ, на экране отобразится список разделов или глав диска.
- При помощи кнопок курсора или кнопок с цифрами выберите нужный пункт.

- Нажмите кнопку ENTER. Устройство начнет воспроизводить выбранный раздел/главу.

PBC (Управление воспроизведением)

Только для VCD дисков.

1. Если вы используете VCD диск с функцией PBC, автоматически начинается воспроизведение с начала 1-ого трека.
 1. Нажмите кнопку PBC/MENU на ПДУ, чтобы во время воспроизведения активировать интерактивное меню на экране.
 2. Если меню состоит из списка разделов, Вы можете непосредственно выбирать последовательность их воспроизведения при помощи кнопок ВЛЕВО/ВПРАВО/ВВЕРХ/ВНИЗ и кнопок с цифрами – для ввода номеров разделов.
 3. При вводе номера воспроизведение начнется автоматически, при выборе раздела нажмите кнопку ENTER, чтобы начать его воспроизведение.
 4. Нажмите кнопку STOP/REVERSE на ПДУ, чтобы вернуться к меню диска.
 5. Снова нажмите кнопку PBC/MENU, чтобы выйти из меню.

Функция поиска GOTO

Используйте кнопку GOTO для выбора раздела, главы или времени, с которого Вы хотите начать воспроизведение.

Во время воспроизведения нажмите кнопку GOTO на ПДУ, чтобы открыть меню поиска.

Для VCD нажмите кнопку GOTO, чтобы открыть меню поиска по времени. Нажимайте кнопки с цифрами, чтобы ввести время, с которого Вы хотите начать воспроизведение (чч:мм:сс). Например, чтобы ввести время 18 ч 20 м 00 с, вводите цифры: 1 => 8 => 2 => 0 => 0 => 0. Нажмите кнопку ENTER на ПДУ, чтобы начать воспроизведение с введенного времени диска.

Для DVD нажмите кнопку GOTO, чтобы открыть меню поиска.

При помощи кнопок с цифрами введите номер нужного трека или раздела. Например, для ввода номера раздела 234, вводите цифры: 2 => 3 => 4. Нажмите кнопку ENTER, чтобы начать воспроизведение выбранного раздела.

Нажмите кнопку курсора ВПРАВО на ПДУ, чтобы перейти к выбору номера главы.

При помощи кнопок с цифрами введите номер нужной главы. Нажмите кнопку ENTER, чтобы начать воспроизведение.

Нажмите кнопку курсора ВПРАВО, чтобы перейти к поиску по времени. Нажимайте кнопки с цифрами, чтобы ввести время, с которого Вы хотите начать воспроизведение (чч:мм:сс). Например, чтобы ввести время 18 ч 20 м 00 с, вводите цифры: 1 => 8 => 2 => 0 => 0 => 0. Нажмите кнопку ENTER на ПДУ, чтобы начать воспроизведение с введенного времени.

Программирование воспроизведения

Нажмите кнопку ST/PROG на ПДУ, чтобы открыть меню программирования воспроизведения. Нажимайте кнопки с цифрами, чтобы выбрать номер трека/главы, затем с помощью кнопок курсора установите курсор на пункт ВОСПР. Нажмите кнопку ENTER для запуска воспроизведения программы. Вы можете выбрать пункт СБРОС, чтобы отменить программирование. Нажмите кнопку ST/PROG, чтобы выйти из меню программирования.

Выбор формата ТВ (для DVD/VCD)

Нажмите кнопку BND/NP/SUB на панели или кнопку BND/SYS на ПДУ для выбора формата ТВ: NTSC => PAL => PAL-M => PAL-N => AUTO.

Примечания по MP3 и WMA

- MP3 это краткое обозначение аудио слоя MPEG 3 и относится к стандарту технологии сжатия звука.
- Данное изделие позволяет воспроизводить файлы MP3 на дисках CD-ROM, CD-R или CD-RW.
- Изделие может считывать файлы MP3, записанные в формате, соответствующем ISO 9660. Однако оно не поддерживает данные MP3, записанные методом пакетной записи.
- Изделие не может считывать файлы MP3, которые имеют расширение файла, отличающееся от “.mp3”.
- Если вы воспроизводите не MP3 файл, который имеет расширение “.mp3”, вы можете слышать некоторые шумы.
- В данном руководстве мы рассматриваем файлы, называемые “файлами MP3” и “папкой”, а в технологии PC “дорожкой” и “альбомом” соответственно.
- Максимальное количество уровней директории равно 8, включая корневую директорию. Максимальное количество файлов и папок на диске 256.
- Изделие может не воспроизводить дорожки в последовательном порядке.
- Изделие воспроизводит только аудио треки, если диск содержит как аудио треки, так и файлы MP3.
- При воспроизведении диска 8 килобит или VBR, истекшее время воспроизведения в окне дисплея будет неправильным, а также ознакомительное воспроизведение может не действовать надлежащим образом. VBR: Переменная скорость передачи битов.
- Устройство поддерживает воспроизведение WMA файлов. Воспроизведение ID3 тегов для формата WMA не является гарантированным, так как это зависит от версий и наличия кириллицы.
- WMA (Windows Media Audio) – формат сжатия музыкальных данных, созданный Microsoft Corporation. Формат использует алгоритмы кодирования для сжатия исходной аудиозаписи, значительно уменьшая размеры файла, но, сохраняя хорошее качество звука даже при низких (например, 64 Кбит/сек) скоростях передачи данных (битрейтах).
- Помните, что изделие может не воспроизводить треки в том порядке, в котором они записаны на диске.

Примечание по созданию собственных CD-R или CD-RW, содержащих файлы MP3

- Для получения высокого качества звука мы рекомендуем преобразовывать файлы MP3 с эталонной частотой 44,1 кГц и фиксированным битрейтом 128 кбит/сек. Не сохраняйте более 256 файлов MP3 на диске.

- Для формата, совместимого с ISO 9660, максимально допустимая глубина вложенных папок равняется 8, включая корневую директорию (папку).
- При использовании диска CD-R воспроизведение возможно только для дисков, на которых закрыта сессия. Убедитесь, что при записи MP3 CD-R или CD-RW были отформатированы как диски данных, а НЕ как аудио диски.
- Не рекомендуется записывать не-MP3 файлы или ненужные папки вместе с файлами MP3 на диск, в противном случае потребуется много времени, пока изделие начнет воспроизводить файлы MP3.
- На некоторых CD-R или CD-RW данные могут быть записаны особым образом. В этом случае данные могут быть воспроизведены не надлежащим образом. Рекомендуются диски CD-R или CD-RW высокого качества.
- Имя альбома или композиции может содержать до 16 символов. Необходима версия 1.x ID3TAG.
- Помните, что изделие может не воспроизводить треки в том порядке, в котором они записаны на диске.

Операции с меню

Нажмите кнопку SETUP на ПДУ или кнопку 6/SET/PAU на панели, чтобы отобразить меню настройки. Используйте кнопки курсора ВЛЕВО/ВПРАВО и кнопку ENTER, чтобы выбрать страницу настроек: Системные установки, Установки языка, Аудио установки, Видео настройки, Установки АС, Цифровые установки. На странице настроек выберите параметр с помощью кнопок курсора ВВЕРХ/ВНИЗ, затем нажмите кнопку курсора ВПРАВО, чтобы перейти к настройкам параметра. С помощью кнопок курсора ВВЕРХ/ВНИЗ выберите нужную настройку.

Системные установки

Система ТВ

Выберите систему ТВ (NTSC, PAL, PAL-M, PAL-N, АВТО).

Заставка

Заставка появляется через 3 минуты после остановки диска. Исходная установка: Включено.

Формат ТВ

Выберите режим экрана для просмотра широкоэкранных фильмов.

4:3 PS: Для размера экрана 4:3. Края изображения будут обрезаны.

4:3 LB: Для размера экрана 4:3, сверху и снизу изображения появятся черные полосы.

16:9: Для размера экрана 16:9.

Пароль

Исходный пароль – 0000.

Ограничение

Рейтинг диска от 1 до 8:

(1) С большим количеством ограничений.

(8) С маленьким количеством ограничений.

Исходная установка: 8

СИСТЕМНЫЕ УСТАНОВКИ

СИСТЕМА ТВ

ЗАСТАВКА

ФОРМАТ ТВ

ПАРОЛЬ

ОГРАНИЧЕНИЕ

ЗАВОД. УСТАН.

Внимание: Вы можете установить рейтинг только при выключенной функции пароля, ограничения будут действовать только при включенной функции пароля.

Заводские установки

Если выбран этот режим, телевизор вернется к исходным установкам.

Установки языка

Меню

Выберите язык экранного меню.

Звук

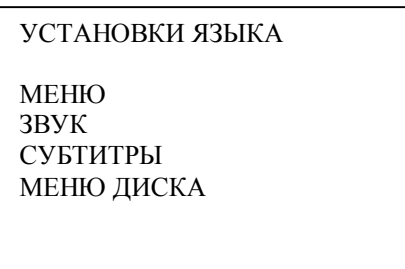
Выберите язык аудио. Вы также можете выбрать язык из предложенных на DVD диске.

Субтитры

Выберите язык субтитров. Вы также можете выбрать язык субтитров из предложенных на DVD диске.

Меню диска

Выберите язык меню диска.



Аудио установки

Цифровой выход

Выберите формат цифрового выхода.

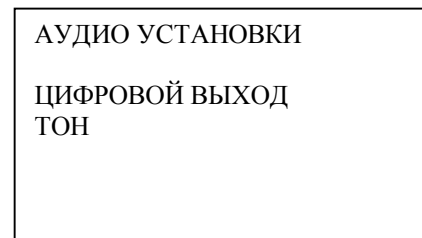
ВЫКЛ: Отсутствует выходной сигнал коаксиального или оптического выхода.

SPDIF/RAW: Телевизор соединен с усилителем при помощи коаксиального или оптического кабеля.

SPDIF/PCM: Телевизор соединен с двухканальным усилителем аудио системы.

Тон

Настройте данный параметр с помощью кнопок курсора ВВЕРХ/ВНИЗ.



Видео настройки

Настройте нужный параметр изображения с помощью кнопок курсора ВВЕРХ/ВНИЗ:

Яркость, Контрастность, Оттенок, Насыщенность, Резкость.

ВИДЕО НАСТРОЙКИ

ЯРКОСТЬ
КОНТРАСТНОСТЬ
ОТТЕНОК
НАСЫЩЕННОСТЬ
РЕЗКОСТЬ

Установки АС

Режим каналов

LT/RT: во время воспроизведения диска со звуковым эффектом PRO LOGIC Dolby, выберите данную функцию для воспроизведения сигнала с эффектом живого звука.

Сtereo: Выберите этот пункт, если плеер подключен к обычной стереосистеме.

Объемный звук: если Вы выбрали эту функцию, когда диск воспроизводится с каналов 5.1, звуковой сигнал будет идти из главных динамиков (функция приемлема только для 5.1 CH воспроизведения).

УСТАНОВКИ АС

РЕЖИМ КАНАЛОВ

Цифровые установки

Режим сжатия

Выберите режим выходного сигнала:

LINE OUT: Сжатие входного сигнала. Низкий уровень громкости.

RF REMOD: Высокий уровень громкости.

Динамический диапазон

Если Вы выбрали режим сжатия "line out", выберите этот пункт, чтобы установить пропорции сжатия и получить другой эффект. При выборе пункта

ЦИФРОВЫЕ УСТАНОВКИ

РЕЖИМ СЖАТИЯ
ДИНАМ. ДИАПАЗОН
МОНО/СТЕРЕО

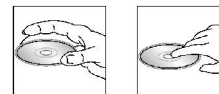
“Full”, аудио сигнал будет минимальным, при выборе “Off”, аудио сигнал будет максимальным.

Двойной моно

Выберите канал аудио сигнала: Стерео, Моно левый, Моно правый, Смешанный моно.

Обращение с компакт-дисками

- Грязные, поцарапанные или погнутые диски могут вызвать искажение звука или шумы
- Держите диск только за края (как показано на рисунке). Чтобы обеспечить чистоту, не прикасайтесь к его поверхности.
- Диски должны храниться в их чехлах после использования, чтобы не поцарапать их поверхность.
- Не подвергайте диски действию прямого солнечного света, повышенной влажности, повышенным температурам или действию пыли.
- Продолжительное влияние предельных температур может изогнуть диск (например, пребывание дисков в автомобиле в летнее время).
- Не царапайте и не пишите что-либо на любой стороне диска. Острые пишущие инструменты или чернила, используемые в них, могут повредить поверхность диска.
- Не прикасайтесь к стороне, не имеющей маркировки.
- Не прикрепляйте какую-либо печать, этикетку или лист предохранения данных к любой стороне диска.
- Данное изделие не может воспроизводить диски размером 3 дюйма (8 см).
- Никогда не используйте диск размером 3 дюйма, установленный в адаптер, или диски нестандартной формы. Изделие не сможет выбросить его, что приведет к сбою.



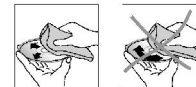
Чистка и уход

Чистка корпуса

Протирайте мягкой тканью. Если корпус очень загрязнен (не мочите его), используйте ткань, слегка смоченную мыльным раствором, и затем вытрите его сухой тканью.

Чистка дисков

Отпечатки пальцев должны быть тщательно стерты с поверхности диска мягкой тканью. В отличие от обычных пластинок, компакт-диски не имеют канавок для сбора пыли и микроскопических частиц грязи, поэтому осторожно вытирайте их мягкой тканью, чтобы убрать частицы грязи. Вытирайте прямолинейным движением от центра к краю.



Никогда не используйте растворитель, бензин, очиститель пластинок или антистатический аэрозоль для чистки дисков. Такие химические вещества могут повредить его пластиковые поверхности.

Руководство по исправлению неисправностей

Неисправность	Причина	Решение
Нет питания	Зажигание машины не включено. Сгорел предохранитель.	Если источник питания подключен надлежащим образом к выключателю машины, установите ключ зажигания в положение “ACC”. Замените предохранитель.
Невозможно загрузить диск	В плеер установлен диск.	Удалите диск из плеера, затем установите новый.
Невозможно считать диск	Диск установлен верхней стороной вниз. Диск загрязнен или имеет дефект. Температура внутри машины очень высокая.	Установите компакт диск стороной с этикеткой вверх. Очистите диск или установите новый. Подождите, пока температура не станет нормальной.
Нет звука	Звук установлен на минимум. Кабель не подключен надлежащим образом.	Отрегулируйте звук до необходимого уровня. Проверьте подключение кабеля.
Не действуют кнопки	Встроенный микрокомпьютер не работает надлежащим образом из-за шумов. Передняя панель не установлена на свое место.	Нажмите кнопку POWER и держите в течение 10 секунд, чтобы сбросить настройки.
Звук пропадает	Угол установки устройства более 30 градусов. Диск загрязнен или имеет дефект.	Отрегулируйте угол установки, установив его менее 30 градусов. Очистите диск или установите новый.
Радио не работает. Не работает автоматический выбор радиостанции	Антенный кабель не подключен. Сигналы слишком слабы.	Вставьте антенный кабель надежно. Выберите станцию вручную.

Технические характеристики

Общие	
Источник питания	12 В, постоянное
Потребляемый ток/Предохранитель:	10А и 1А
Максимальная выходная мощность:	50 Вт x 4 канала
Размеры (Ш x В x Д)/диапазон температур	178 x 51 x 178 мм/-20°C - +60°C
Сtereo FM радио	
Частотный диапазон:	87.5 – 108.0 МГц
Чувствительность/Промежуточная частота:	3 мкВ/10.7 МГц
MW (AM) радио	
Частотный диапазон:	522-1620 кГц
Плеер дисков	
Поддерживаемые форматы	DVD/SVCD/VCD/MP4/MP3/WMA/CD/HDCD/DVDAudio/MPEG4/Di vX/Picture-CD/Photo-CD/CD-R/CD-RW/DVD±R/JPEG
Видео система/Аудио система	Стандарт NTSC/PAL / 24 бит/96 кГц
Система загрузки диска	Автозагрузка
Угол монтажа	0 - +/-30
Формат экрана	16:9 и 4:3
Горизонтальное разрешение	500
Уровень сигнала на выходе	1.0 В, 75 Ом
Максимальный уровень сигнала на выходе	2 В RMS (+/-3 дБ)
Частотный диапазон	20 Гц – 20 кГц
Уровень сигнал-шум (A-vtd)/Разделение	60 дБ/50 дБ
Линейный выход	CD макс. 1000 мВ

Технические характеристики могут быть изменены заводом-изготовителем без предварительного уведомления. Указанные геометрические размеры имеют приблизительные значения.