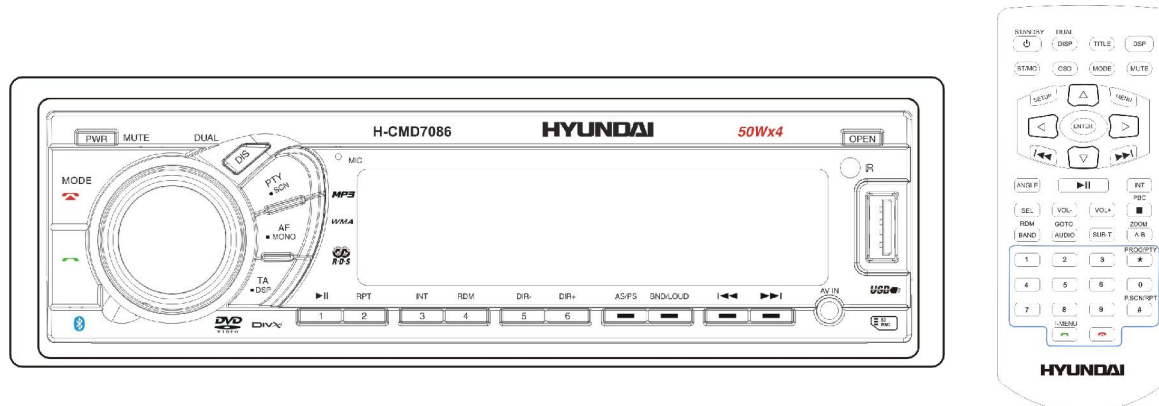


# HYUNDAI

## H-CMD7086



## DVD/CD/MP3 RECEIVER WITH BLUETOOTH DVD/CD/MP3-РЕСИВЕР С ИНТЕРФЕЙСОМ BLUETOOTH

**Instruction manual**

**Руководство по эксплуатации**

**Dear customer!**

Thank you for purchasing our product. For safety, it is strongly recommended to read this manual carefully before connecting, operating and/or adjusting the product and keep the manual for reference in the future.

**Table of contents**

---

Table of contents .....	2
Important safeguards .....	3
Accessories.....	4
Installation/connection.....	5
Panel controls .....	11
General operations.....	15
Digital tuner operations .....	18
Disc glossary .....	21
DVD/SD/MMC/USB operations.....	22
MP3 overview .....	29
DVD setup.....	31
Bluetooth operation (option).....	34
Handling discs .....	37
Cleaning .....	37
Troubleshooting guide .....	38
Specification.....	40

## **Important safeguards**

---

- Read carefully through this manual to familiarize yourself with this high-quality sound system.
- The beginning of operation is the moment of the unit installation. Before use the device in winter it is recommended to heat up the passenger compartment during 20 seconds or to the operation temperature.
- Use the unit with the temperature that goes beyond the operation temperature greatly decreases the operation resource of the screen and other components of device and can result an outage.
- Disconnect the vehicle's negative battery terminal while mounting and connecting the unit.
- When replacing the fuse, be sure to use one with an identical amperage rating. Using a fuse with a higher amperage rating may cause serious damage to the unit.
- Do not attempt to disassemble the unit. Laser beams from the optical pickup are dangerous to the eyes.
- Make sure that pins or other foreign objects do not get inside the unit; they may cause malfunctions, or create safety hazards such as electrical shock or laser beam exposure.
- Do not use the unit in places where it can be exposed to water, moisture and dust.
- Do not open covers and do not repair yourself. Consult the dealer or an experienced technician for help.
- Make sure you disconnect the power supply and aerial if you will not be using the system for a long period or during a thunderstorm.
- Make sure you disconnect the power supply if the system appears to be working incorrectly, is making an unusual sound, has a strange smell, has smoke emitting from it or liquids have got inside it. Have a qualified technician check the system.
- The unit is designed for negative terminal of the battery, which is connected to the vehicle metal. Please confirm it before installation.
- Do not allow the speaker wires to be shorted together when the unit is switched on. Otherwise it may overload or burn out the power amplifier.

## Accessories

---

Receiver	1 pc
Remote controller	1 pc
Panel protective case	1 pc
AV cable	1 pc
USB cable	1 pc
ISO cable	1 pc
Mounting parts:	
• Release keys	2 pc
• Screw B5X20	1 pc
• Bolt M5X6	4 pc
• Washer	2 pc
• Nut	1 pc
• Mounting strap	1 pc
• Rubber	1 pc
Consumer information	1 pc
Warranty card	1 pc
Instruction manual	1 pc

# Installation/connection

---

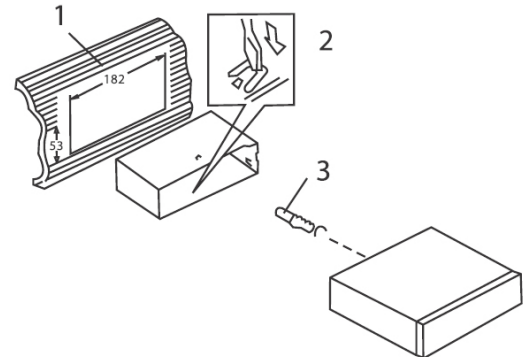
- Choose the mounting location where the unit will not interfere with the normal driving function of the driver.
- Before finally installing the unit, connect the wiring and make sure that the unit works properly.
- Consult with your nearest dealer if installation requires the drilling of holes or other modifications of the vehicle.
- Install the unit where it does not get in the driver's way and cannot injure the passenger if there is a sudden stop, like an emergency stop.
- If installation angle exceeds 30° from horizontal, the unit may not perform properly.
- Avoid installing the unit where it would be subject to high temperature, such as from direct sunlight, or from hot air, from the heater, or where it would be subject to dust, dirt or excessive vibration.

## Din Front/Rear-Mount

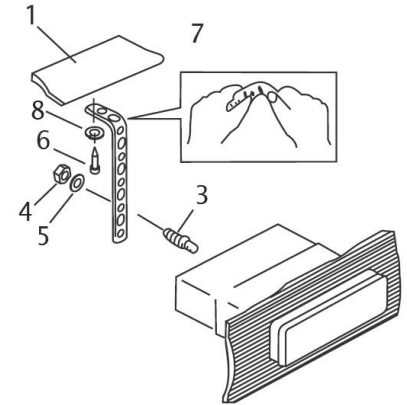
This unit can be properly installed either from 'Front' (conventional DIN Front-mount) or 'Rear' (DIN Rear-mount installation, utilizing threaded screw Holes at the sides of the unit chassis). For details, refer to the following illustrated installation methods.

### **DIN FRONT-MOUNT (Method A)**

1. Car dashboard
2. Sleeve
3. Screw
4. Nut
5. Spring washer
6. Screw
7. Metal strap
8. Flat washer



1. Install the sleeve into the dashboard; ensure it is installed with the correct side and there are no obstacles (wires, dashboard elements, etc) for the unit installation.
2. After installing the sleeve into the dashboard, bend tabs fitting to the size of the dashboard to fix the sleeve in place.
3. Use the metal strap to fix the rear side of the unit. Determine a place for fixing and install the strap as shown in the picture. You can bend the strap to the needed angle with your hands.
4. Make the necessary wire connections. Ensure the connections are correct.
5. Install the unit into the sleeve until the side locks are fixed.



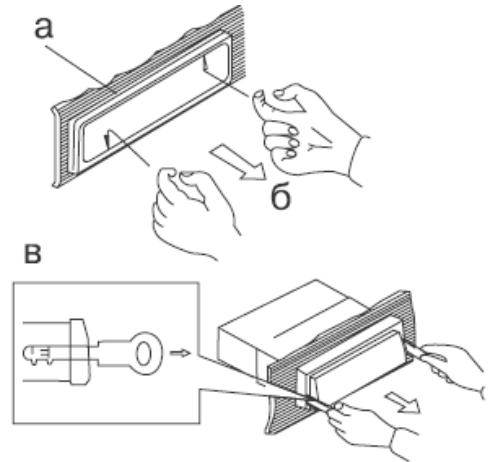
### Dismantling the unit

a – Trim frame

б – Frame uninstal direction

в – Release key insertion

1. Switch off the unit and detach the front panel.
2. Insert your fingers into the groove in the front side of the trim frame (apply some effort to detach the frame). Pull the frame to detach it.
3. Insert the supplied release keys into the both sides of the unit body to click, as shown in the picture. To extract the unit from the dashboard, pull the release keys or the unit body to pull it out. Before detaching the unit, ensure it is not fixed with the metal strap.



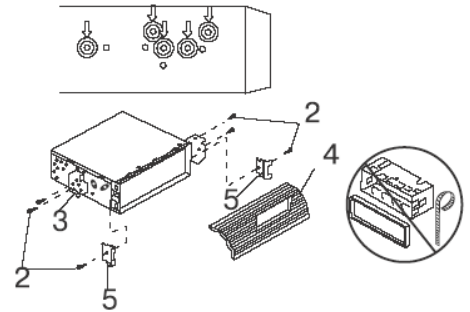
## Trim frame installation

To install the trim frame, press it to the unit body and push it to fix it in place. This should be done before installing the front panel; otherwise you are not able to install the trim frame. When the trim frame being installed, the side with the groove should face down and fixed first.

## 2. DIN REAR-MOUNT (Method B)

For this method, use the screw holes in the lateral sides of the unit. Fix the unit with the help of the factory radio mounting brackets.

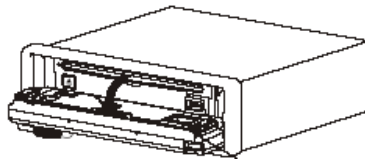
1. Select a position in which the screw holes of the brackets (3) are aligned with the screw holes in the unit body, and screw in two screws (2) in each side.
2. Screw.
3. Factory radio mounting brackets.
4. Vehicle dashboard.
5. Lock (remove this part).



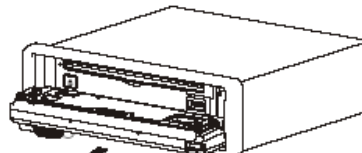
**Note:** The outer trim frame and mounting sleeve are not used for method of installation.

## Detaching the front panel

1. Press OPEN button on the front panel. The panel will go down (pic. 1).
2. Push the panel to the right and then pull it towards you (pic. 2).



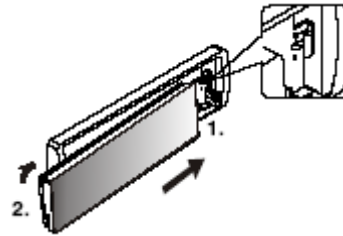
Pic. 1



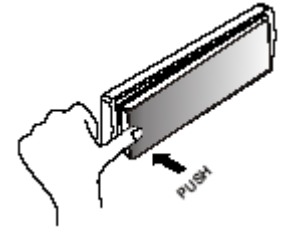
Pic. 2

## Attaching the control panel

1. Insert the right side of the control panel into the main unit (pic. 3).
2. Press the control panel on to the left side of middle of it until a “click” sound is heard (pic. 4).



Pic. 3



Pic. 4

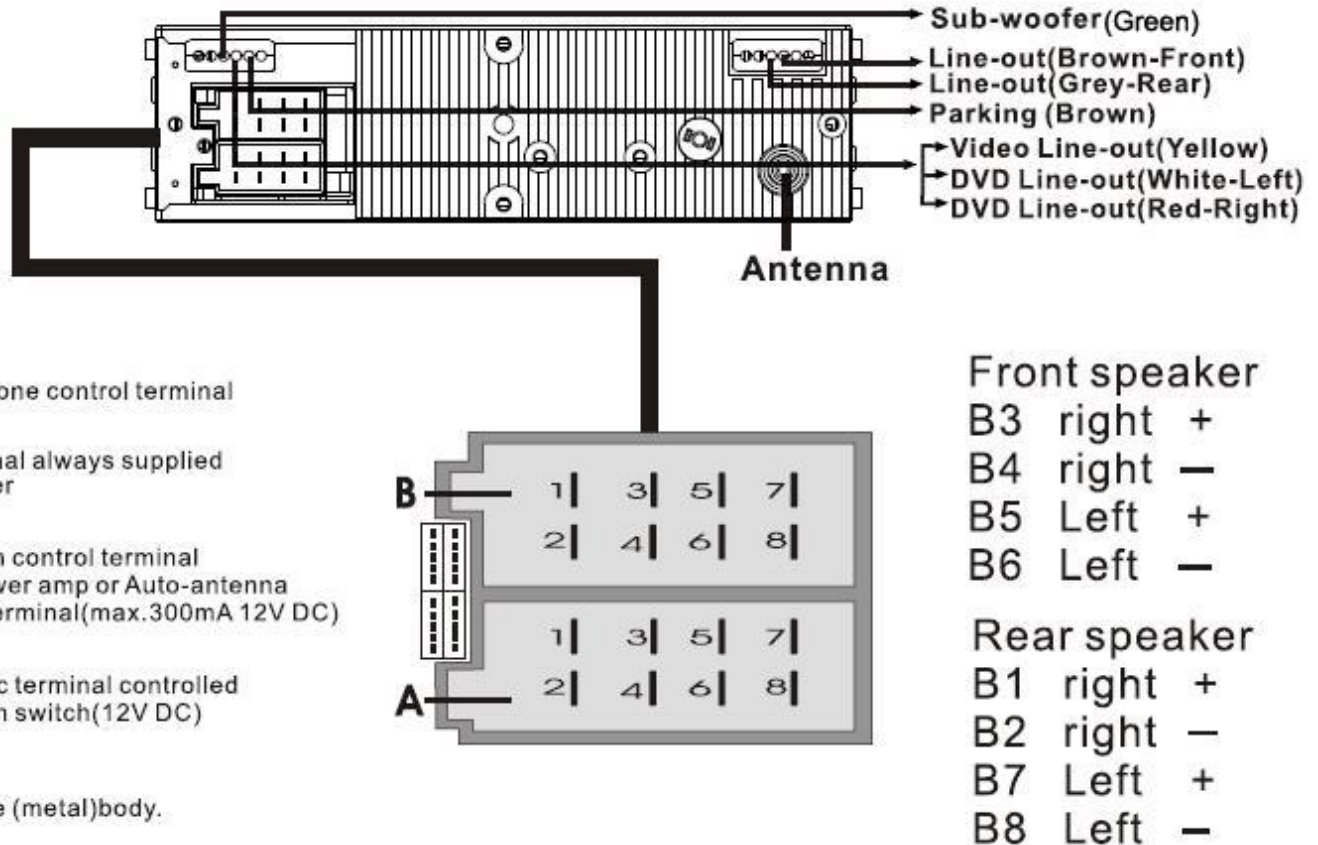
### Caution:

- Do not insert the control panel from the left side. It can damage the control panel.
- The control panel can easily be damaged by shocks. After removing it, place it in a protective case and be careful not to drop it or subject it to strong shocks.
- The rear connector that connects the main unit and the control panel is an extremely important part. Be careful not to damage it by pressing on it with fingernails, pens, screwdrivers, etc.

**Note:** If the control panel is dirty, wipe off the dirt with soft, dry cloth only. And use a cotton swab soaked in isopropyl alcohol to clean the socket on the back of the control panel.



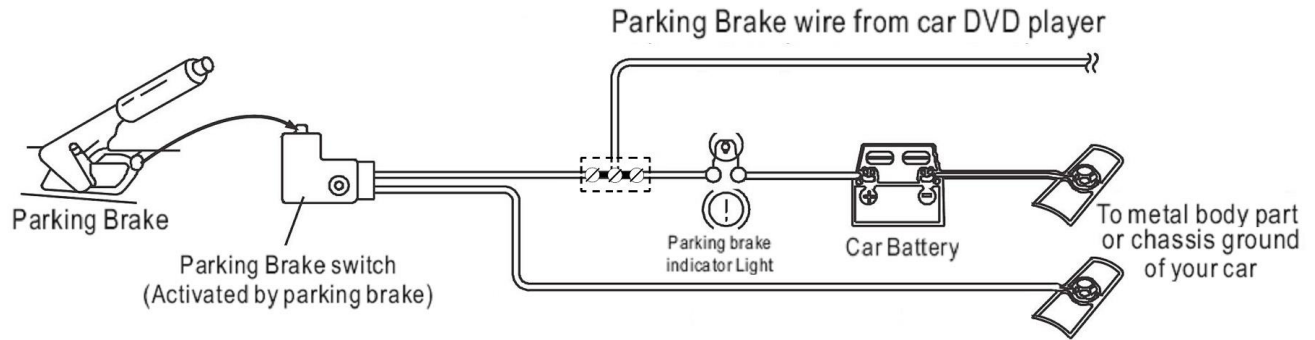
## Electrical connection



**Caution:** For some car models you may need to modify wiring of the supplied power cord. Contact your authorized car dealer before installing this unit.

**Notes:** A2 cable is connected to a Hands-Free device (not included).

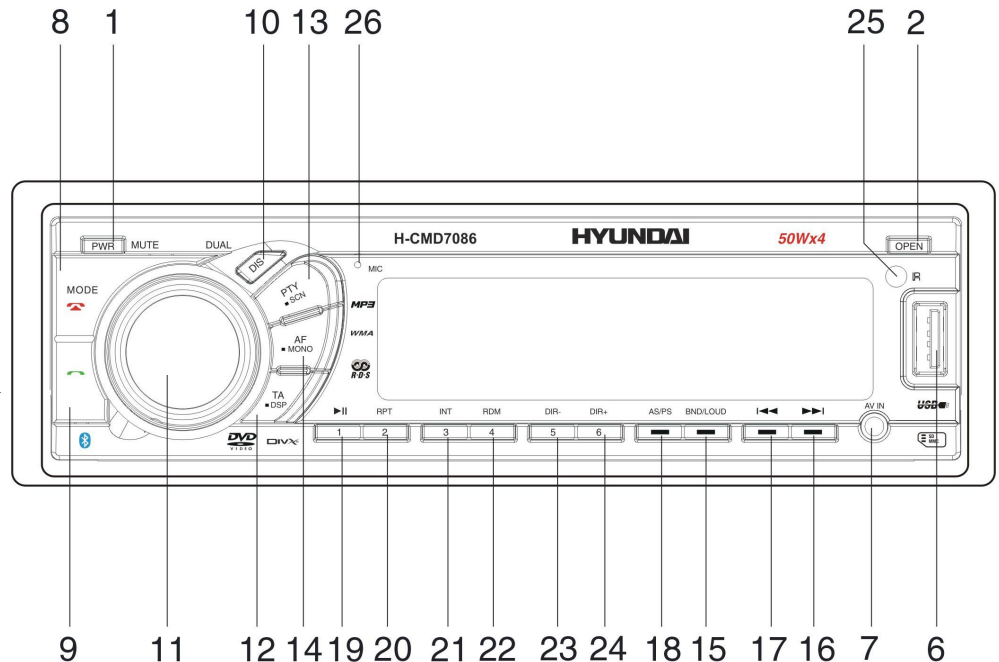
The parking wire is connected with brake signal; for safety, the programs can be seen on the monitor after braking the car.



# Panel controls

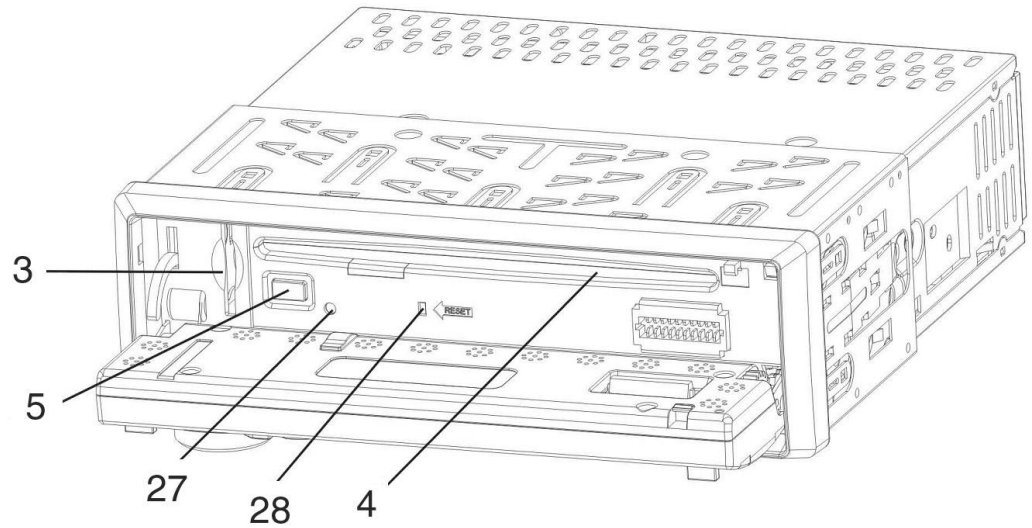
## Front panel

1. PWR/MUTE button
2. OPEN button
3. SD/MMC card slot
4. DISC slot
5. EJECT button
6. USB jack
7. AV IN
8. MODE/REJECT CALL button
9. ACCEPT CALL button
10. DIS/DUAL button
11. VOL KNOB/SEL button
12. TA/DSP button
13. PTY/SCAN button
14. AF/MONO button
15. BAND/LOUD button
16. NEXT button
17. PREVIOUS button
18. AS/PS button
19. 1/PLAY/PAUSE button
20. 2/REPEAT button
21. 3/INTRO button
22. 4/RANDOM button



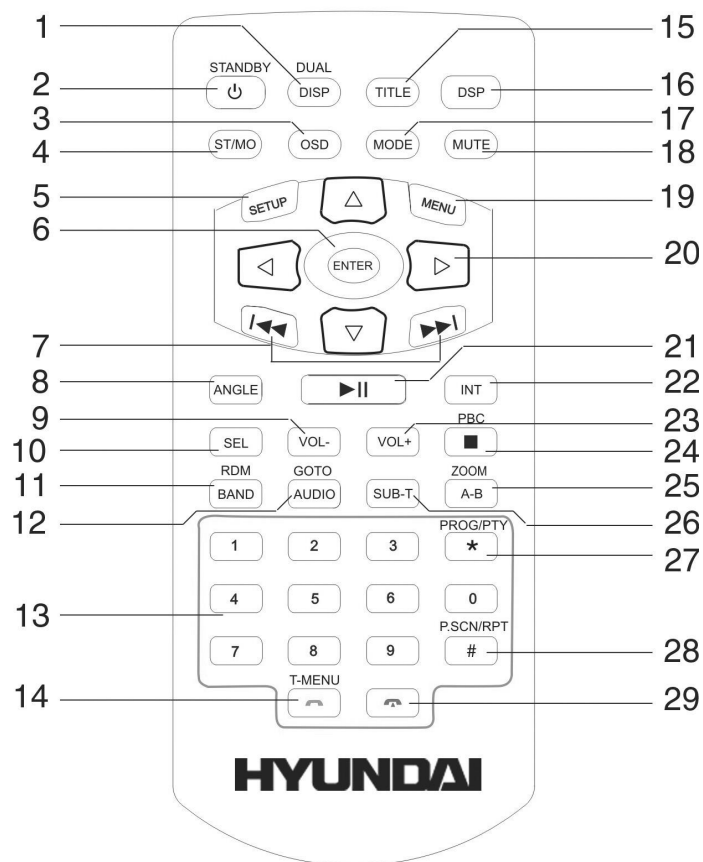
- 23. 5/ DIR- button
- 24. 6/ DIR+ button
- 25. IR remote control sensor
- 26. Microphone
- 27. Panel status indicator
- 28. RESET button

### Inner panel

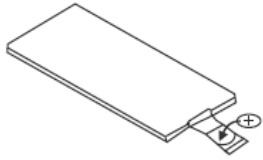


## Remote control

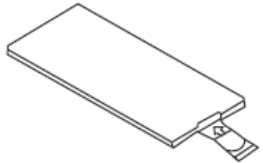
1. DISP/DUAL button
2. STANDBY button
3. OSD button
4. ST/MO button
5. SETUP button
6. ENTER button
7. PREVIOUS/NEXT button
8. ANGLE button
9. VOL- button
10. SEL button
11. BAND/RDM button
12. AUDIO/GOTO button
13. Number buttons
14. ACCEPT CALL/T-MENU button
15. TITLE button
16. DSP button
17. MODE button
18. MUTE button
19. MENU button
20. Cursor buttons (LEFT, RIGHT, UP, DOWN)
21. PLAY/PAUSE button
22. INT button
23. VOL+ button
24. STOP/PBC button
25. A-B/ZOOM button
26. SUB-T button
27. PROG/PTY button
28. P.SCN/RPT button
29. REJECT CALL button



## Changing the battery



1. Pull out the battery tray. Insert the 1 x lithium battery, type CR 2025 3V battery with the stamped (+) mark facing upward.



2. Insert the battery tray into the remote control.

### Warning:

- Store the battery where children cannot reach. If a child accidentally swallows the battery, consult a doctor immediately.
- Do not recharge, short, disassemble or heat the battery or dispose it in a fire.
- Do not expose or bring into contact the battery with other metallic materials. Doing this may cause the battery to give off heat, crack or start a fire.
- When throwing away or saving the battery, wrap it in tape and insulate; otherwise, the battery may give off heat, crack or start a fire.

# General operations

---

## Reset the unit

Operating the unit for the first time or after replacing the car battery, you must reset the unit.

Press OPEN button on the panel to open the panel and press RESET button to restore the unit to the original factory settings.

## Power button

Press any button on the panel (except OPEN button) or STANDBY button on the RC to turn on the unit. Press and hold PWR/MUTE button on the panel or STANDBY button on the RC to switch the unit off.

**Note:** After the unit is off, the volume level and radio current settings will be memorized, and when you turn the unit on it will resume the stored status you set.

## Volume control

Rotate VOL knob on the panel or press VOL +/- on the RC to adjust the volume level.

## Setting the sound characteristics

Press shortly and repeatedly the SEL button to select the audio setting: VOLUME (VOL) => BASS => TREBLE (TRB) => BALANCE (BAL) => FADER (FAD). Rotate VOL knob or press VOL +/- buttons on the RC to regulate each setting.

### Note:

- If turning off the power all the settings of each mode will be saved.
- If turning off the ACC power or reset the unit all the settings will become as they were set on the plant.
- If you don't adjust VOL knob within 6 seconds after selecting the desired setting, the unit will automatically return to the current mode being displayed.

## **Setting other characteristics**

During TUNER mode press SEL button and hold for 2 seconds, shortly and repeatedly press SEL button to select the setting: TA SEEK => PI MUTE => RETUNE L => MASK DPI =>TA VOL => EON TA => DISP REV => BEEP. To adjust the selected setting, rotate VOL knob or press VOL+/- buttons on the RC.

### **TA SEEK/TA ALARM**

In TA SEEK mode, the unit will seek for traffic announcement program when TA is pressed; in TA ALARM mode, no TA/TP is displayed and the alarm is set off. After choosing, please leave the unit idle to activate.

### **PI SOUND/MUTE**

PI SOUND refers to the reception noise when the AF function tries to scan alternative frequency.

### **RETUNE S/L - SHORT/LONG**

RETUNE refers to the time period the unit allows for radio scan when reception is interrupted. “S” represents a time period of 30 seconds and “L” represents a time period of 90 seconds.

### **MASK DPI/MASK ALL**

During MASK DPI mode, the unit will mask only the AF which has different PI, this is the default mode; during MASK ALL mode, the unit will mask the AF which has different PI and no RDS signal with high field strength.

**TA VOLUME**: Rotate the knob or press VOL+/- button to choose the volume level of TA announcements.

**EON TA**: Rotate the knob to select EON TA LO/EON TA DX mode. If you want to receive information from local stations only, select EON TA LO mode. Otherwise, select EON TA DX mode.

### **BEEP**

Turn BEEP on if you want the pressing of buttons to be sounded. Press SEL Button until the display shows BEEP, then use the VOL+/- Button to turn BEEP sound ALL or OFF or 2ND (you hear BEEP sound when you press and hold a button).

**DISP REV**: Rotate the knob to select LED display color between black and white.



### **Turning the sound off**

Press MUTE button on the RC or PWR/MUTE button on the unit to turn the sound off. Press it again or press VOL+/- buttons on the RC or rotate VOL knob on the panel to turn the sound on.

### **Mode setting**

Press MODE/REJECT CALL button on the panel or MODE button on the RC repeatedly to select: TUNER => DVD (if inserted) => USB (if USB device is inserted) => SD (if the flash card is inserted) => AUX.

### **Equalizer setting**

Press and hold TA/DSP button on the unit or press DSP button on the RC to select the equalizer mode: FLAT => CLASSICS => POP => ROCK => DSP OFF.

### **AV jack**

Intended to receive audio and video signals by connecting to outside input device.

### **Display**

Press DIS/DUAL button on the unit or DISP/DUAL button on the RC to see current tuning information and time. Sequence of the menu: Clock/Time => Radio Frequency => PTY=> Exit.

# Digital tuner operations

---

**Note:** RDS (Radio Data System) service availability varies with areas. Please understand if RDS service is not available in you area, the following service is not available, either.

## RDS overview

PI: Program Identification Code – for identifying code.

PS: Program Service Name Broadcast – station name data expressed in alphanumerically character.

TP: Traffic Program Identification – for traffic information broadcasting station.

TA: Traffic Announcement Identification – showing traffic information is being transmitted or not.

AF: Alternative frequencies – frequency list of broadcasting station transmitting the same program.

## Band selection

In Tuner mode press BAND once or more to select: FM1, FM2, FM3, MW1 (AM1), MW2 (AM2).

## Manual/automatic tuning

- **Manual tuning:** select a band. Press and hold PREVIOUS/NEXT buttons, MANUAL appears on the display, then press these buttons repeatedly to search a station step by step upward or downward.
- **Automatic tuning:** select a band. Press PREVIOUS/NEXT buttons, the automatic backward/forward search will start. It will play when finds the station.

## Programming tuner stations

You can store up to a total of 30 radio stations in the memory (18 FM, 12 AM (MW)).

- To store a station:
  - Select a band;
  - Select a station by pressing PREVIOUS/NEXT buttons.

- Hold a preset button (1-6), which you want store the station for at least 2 seconds.
- To recall a station:
  - Select a band (if needed)
  - Press a preset button (1-6) briefly to recall the stored station.

### **AF/MONO button**

Press AF/MONO button to enable AF mode. Press and hold AF/MONO on the unit or press ST/MO on the RC to choose MONO or STEREO.

### **Auto memory store**

Select a band. Press AS/PS button on the panel or P.SCN/RPT button on the RC and hold for 2 seconds to enter auto store mode. The radio will automatically store 6 stations to the 6 preset memories of the current band. To stop auto store, press this button again.

### **Preset scan**

Select a band. Press AS/PS button on the panel or P.SCN/RPT button on the RC to scan all preset stations in the memories of the current band. To stop preset scan, press the button again.

### **TA (Traffic Announcement) function**

1. Press TA/DSP button shortly to turn on or turn off the TA function. When the TA function, TA icon will be displayed.
2. When TA or TP RDS signal is available from the current station, TP icon is turned on. When TA/TP is enabled (on), but no traffic announcement is transmitted, TP icon is off and TA icon keeps blinking.

### **AF (Alternative Frequencies) function**

Press AF/MONO button on the panel shortly to turn on or turn off the AF function. If the AF function is on the display will show “AF”. When AF switching mode is selected, but RDS information is not received yet the “AF” will be flashing.

The RDS program will be automatically searched and received. After turning on, if the RDS signal is weak or even no signal, the unit will search another frequency with this RDS program.

Default setting is ON.

### **PTY (Program Type) function**

1. Press PTY/SCN button on the panel or press PROG/PTY button on the RC to select the program type group: MUSIC GROUP => twice to select SPEECH GROUP => PTY OFF.
2. When the program type is selected press digit buttons (1~6) repeatedly to select the program type according to the table:

Preset number	PTY music group
1	POP M, ROCK M
2	EAST M, LIGHT M
3	CLASSICS, OTHER M
4	JAZZ M, COUNTRY M
5	NATION M, OLDIES M
6	FOLK M

Preset number	PTY speech group
1	NEWS, AFFAIRS, INFO
2	SPORT, EDUCATE, DRAMA
3	CULTURE, SCIENCE, VARIED
4	WEATHER, FINANCE, CHILDREN
5	SOCIAL, RELIGION, PHONE IN
6	TRAVEL, LEISURE, DOCUMENT

3. Searching will start. If PTY code is different or not available, the PTY icon will start blinking.
4. Press PTY/SCN button on the panel or PROG/PTY button on the RC to switch the PTY function off.

## **Disc glossary**

---

### **PBC (PlayBack Control)**

PBC is a menu recorded on the disc with SVCD or VCD2.0 format. For the discs contained PBC, it can playback interactive software with the menu displayed on TV. And if the disc contains still images, it can playback high definition of still image.

### **Title**

The title is the important part of DVD disc. The memory volume of the disc is rather big, that makes possible to record several films on one disc. For example, if a disc contains three films, they may be divided into Title 1, Title 2 and Title 3. You can easy use the functions of looking-for.

### **Chapter**

A title can be divided into several blocks, so that every block can be operated as a unit, the unit is called chapter. The chapter contains a unit at least.

### **Track**

It is the biggest component of VCD. Generally, every song of karaoke disc is a track.

# DVD/SD/MMC/USB operations

---

## Discs for playback

- This unit can play disc types: DVD/DVD±R/±RW/CD/CD-R/CD-RW.
- Compatible with formats: DVD/SVCD/VCD/DVD Audio/CDDA/MP3/CD/WMA/ HDCD/Picture-CD/Photo-CD/JPEG.
- The following file types are supported:
  - Audio files: MP3 (\*.mp3)  
WMA (\*.wma)
  - Video files: MP4 (\*.avi, DIVX3.11/4.0/5.0/6.0 and XVID)  
MPEG 2(\*.vob)  
MPEG 1(\*.dat)
  - Picture file: JPEG (\*.jpg)
- ISO 9660 or ISO 9660 +Joliet format - Max. 30 characters
- Max. Track number is 448
- Max. nested directory is 8 levels
- The max. album number is 99
- The max. length of each track is 99 minutes 59 seconds
- Supported sampling frequency for MP3 disc: 8 KHz – 48 KHz (44.1 KHz preferably)
- Supported bit-rates of MP3 disc are: 32 - 320 kbps (128 kbps preferably).
- Following formats are NOT supported \*.ACC, \*.DLF, \*.M3U, \*.PLS, MP3 PRO, files with DRM.
- Open session discs are NOT supported.

## **USB/SD/MMC notes**

USB functions (flash memory type) MP3 music play.

1. SD/MMC card support, 2in1 (SD/MMC) support.
2. USB flash memory.
3. FAT 12/ FAT 16/ FAT 32 is possible
  - FAT 12/16 (dir: 200 support, file: 500 support),
  - FAT 32 (dir: 200 support, file: 500 support).
4. Filename: 32 byte/ Dir name: 32 byte.
5. Tag (id3tag ver2.0)
  - Title/ Artist/ Album: 32 byte support.
6. Multi card reader not supported.
7. USB 2.0 support.

### **Notes:**

**USB** format supports 2.0.

Capacity: up to 2 GB.

**SD cards** brands: Cannon, Fuji film, Palm, Motorola, Microsoft, IBM, HP, Compaq, Sharp, Samsung, etc.

Capacity: up to 2 GB.

**MMC cards** brands: Ericsson, Nokia, Motorola, HP, Palm, Sanyo, Microsystems, etc.

Capacity: up to 2 GB.

### **Loading/Ejecting a disc**

Turn the power on. Press OPEN button on the panel. Insert the disc with the printed side facing upward into the slot. Press EJECT button on the inner side to eject the disc.

### **Inserting the SD/MMC card/USB device**

Insert the MMC/SD card or USB device into MMC/SD compartment or USB socket. Then the playing mode will be changed into MMC/SD or USB mode automatically. The first card/USB device track playback will start.

**Note:** When MMC/SD card and USB device are both inserted into their compartment or socket, the playing mode will be changed into the mode of the later one.

### **Playing/pausing**

When the disc/card/USB device has been already loaded the playback of the first track starts automatically. To ensure good system performance, wait until the unit finishes reading the disc information before proceeding. Or press PLAY/PAUSE button to start playback. Press it again to pause the playback. Press again to resume the playback.

### **Playing the previous/next track**

During playback press PREVIOUS button to play the previous track. Press NEXT button to play the next track.

### **Fast forward and fast backward**

Repeatedly press and hold PREVIOUS/NEXT buttons to select the speed of fast backward/forward playing. The playback speed will change after each pressing.

**Note:** During the disc playback when fast backward/forward playback gets to the beginning of the playing another track, it resumes normal playback.



## **DIR+/DIR-**

Press 5/DIR-, 6/DIR+ buttons to choose folder.

## **Loudness**

Press and hold BAND/LOUD button on the panel or DSP button on the RC to turn loudness on or off.

## **Repeat playback**

Press RPT button on the panel or P.SCN/RPT button on the RC to start repeat playing. Press one more time to cancel. The repeating sequence:

In MP3 mode: FILE => FOLDER => ALL.

In DVD mode: Repeat OFF => Repeat TITLE => Repeat Chapter.

In CD mode: Disc => Track.

**Note:** to choose FOLDER repeating and TITLE repeating press and hold RPT button on the panel or P.SCN/RPT button on the RC.

## **Changing angle (for DVD only)**

If DVD disc supports multi-angle playback, press ANGLE button on the RC to playback images in different camera angles. If discs doesn't support multi-angle playback, this function will not work.

## **Selecting audio languages**

During DVD disc playback press AUDIO/GOTO button on RC repeatedly to select the audio language to listen (if the disc supports multi-language mode).

## **Selecting the channel (for VCD only)**

During VCD disc playback press AUDIO button on the RC to select the channel: L-mono => R-mono => Mix mono => Stereo.

### **Selecting subtitle language (for DVD only)**

Subtitle language is in disc initiation setting during playback. Press SUB-T button on the RC repeatedly to switch among disc-supported languages.

### **Changing size (for DVD/VCD)**

During playback press and hold A-B/ZOOM button on the RC. The picture will be enlarged accordingly: X2=> X3=> X4=> X1/2=> X1/3=> X1/4=>Normal.

### **A-B segment repeating**

Press A-B/ZOOM button to set A position, press one more time to set B position and start A-B repeating. Press this button one more time to cancel the repeating function.

### **OSD (OnScreen Display) function**

Press OSD button on the RC repeatedly to show the disc information, such as: the Number of track, Current track time elapsed => Current track time remain => Total tracks time elapsed => Total tracks time remain, Language.

### **Menu navigation (for DVD only)**

Title playing:

- Press TITLE button on the RC to activate the disc title list on the screen.
- Choose the desired title.
- Press ENTER button or PLAY/PAUSE button to confirm the selected item and start playing.

### **PBC (Playback Control) function (for VCD only)**

If you insert a VCD with PBC, playback starts from the beginning of the 1st track automatically.

1. Press and hold STOP/PBC button on the RC to set PBC on/off; when PBC on, the screen will show PBC menu.

2. If the menu consists of a list of titles, you can select a desired one using cursor buttons or number buttons on the RC while PBC is off.
3. The VCD starts playing the selected title automatically, or you can press PLAY/PAUSE button to confirm the selected track for playback.
4. Press STOP/PBC button to “STOP”, and press PLAY/ PAUSE button to continue playing.
5. Press STOP/PBC button to “STOP”, press again to “R.STOP”, and press PLAY/ PAUSE button to playback.

### **Program playing**

During playback press PROG/PTY button on the RC to open the program menu. Press number buttons to select the track number and then press cursor buttons to move the cursor to PLAY.

Press ENTER to start program playing. You can choose CLEAR ALL, to cancel the settings. Press PROG/PTY button to exit the program function.

### **GOTO**

Press and hold AUDIO/GOTO button in DVD mode to enter GOTO mode and set chapter/track/time directly. Press ENTER button to start playback by the input parameters.

### **MENU**

Press MENU button in DVD mode to show disc menu.

### **Intro**

Press INT button to activate INTRO function, i.e. playing the beginning of every track for 10 seconds.

### **Dual mode**

When playing DVD press and hold DIS/DUAL button on the panel or DUAL button on the RC to activate dual zone mode. Press MODE button on the RC or MODE/REJECT CALL button on the panel to choose tuner

mode for front zone, and at the same time DVD mode will be playing at the rear zone (in case of correct connection).

### **Random**

In disc mode press and hold BAND/RDM button on the RC or RDM button on the unit to activate random playing mode. Press one more time to return to normal playing.

# MP3 overview

---

## Notes on MP3:

- MP3 is short for MPEG Audio Layer 3 and refers to an audio compression technology standard.
- This product allows playback of MP3 files on CD-ROM, CD-R or CD-RW discs.
- The unit can read MP3 files written in the format compliant with ISO 9660. However it does not support the MP3 data written by the method of packet write.
- The unit can not read an MP3 file that has a file extension other than “.mp3”.
- If you play a non- MP3 file that has the “.mp3” extension, you may hear some noise.
- In this manual, we refer to what are called “MP3 file” and “folder” in PC terminology as “track” and “album”, respectively.
- Maximum number of directory level is 8, including the root directory. Maximum number of files and folders per disc is 256.
- The unit may not play tracks in the order of Track numbers.
- The unit plays only the audio tracks if a disc contains both audio tracks and MP3 files.
- When playing a disc of 8 kbps or “VBR”, the elapsed playing time in the display window will not be correct and also the intro play may not function properly. “VBR”: Variable Bit Rate.
- The unit supports the playback of WMA files. The playback of ID3 tags for WMA format is not guaranteed, it depends on versions and availability of Cyrillic alphabet.
- WMA (Windows Media Audio) – music data compression format, created by Microsoft Corporation. This format uses coding algorithm for compression of initial audio-record, greatly decreasing the file size, but, saving the good sound quality even when the bit rate is low (for example, 64 Kbit/s).

### **Notes on creating your own CD-R or CD-RW containing MP3 files:**

- To enjoy high quality sound, we recommend converting to MP3 files with a sampling frequency of 44.1 kHz and a fixed bit rate of 128 kbps.
- DO NOT store more than 256 MP3 files per disc.
- For ISO 9660 - compliant format, the maximum allowable depth of nested folders is 8, including the root directory (folder).
- When CD-R disc is used, playback is possible only for discs, which have been finalized.
- Make sure that when MP3 CD-R or CD-RW is burned that it is formatted as a data disc and NOT as an audio disc.
- You should not write non-MP3 files or unneeded folders along with MP3 files on the disc otherwise it takes a long time until the unit starts to play MP3 files.
- With some CD-R or CD-RW media, data may not be properly written depending on its manufacturing quality. In this case, data may not be reproduced correctly. High quality CD-R or CD-RW disc is recommended.
- Up to 16 characters are displayed for the name of an Album or a Track. ID3TAG version 1.x is required.
- Note that the unit may not play Tracks in the order that you wrote them to the disc.

## DVD setup

---

Press SETUP button to enter the OSD setting menu; press LEFT/RIGHT cursor buttons to move to the highlighted menu item and select one of the setup pages: Language, Display, Audio, Parental. Press UP/DOWN cursor buttons to select an item in the selected setup page. Press RIGHT button to move to the option list of the selected item. Select an option and press ENTER button to activate it.

### Language

- **OSD language**

With this option you can select the language for your On Screen Display (OSD). This menu item has 6 languages available.

- **Subtitle**

With this option you can select the preferred language for the subtitles. When the selected language is recorded on the disc, this language will automatically be shown. If not, the first language recorded on the disc is displayed.

- **Audio**

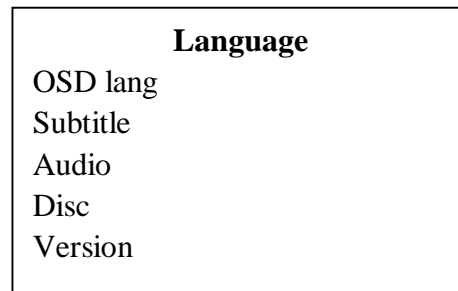
With this option you can select the preferred language for the audio output. When the selected language is recorded on the disc (not all discs have multiple languages recorded) then this language will automatically be played. If not, the first language recorded on the disc is played.

- **Disc**

With this option you can select the preferred language for the disc menu. When the selected language is recorded on the disc then this language will automatically be selected. If not, the first language recorded on the disc is displayed.

- **Version**

With this option you can know the version of the unit.



## Display setup

- **TV display**

Three screen ratio modes are available, Normal/PS (4:3 Pan Scan), Normal/LB (4:3 Letterbox) and Wide (16:9). Different disc formats will display different images depending this setting and the screen size used.

- **TV type**

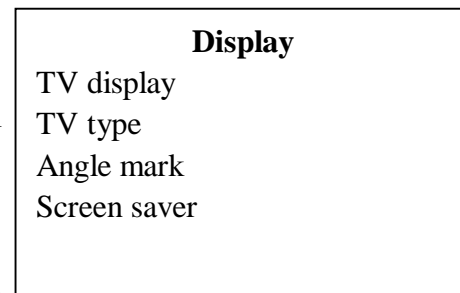
Select this menu item to set up your preferred video output format. PAL is commonly used in Europe. NTSC is commonly used in the USA and Japan. Auto is commonly used automatically.

- **Angle mark**

When playing a DVD disc and you have selected ON, then the screen will show the angle mark. This will give you the possibility to view multi angle DVD's.

- **Screen saver**

When playing a DVD disc and you have selected ON, the screen will enter Screen Saver mode if you stop playback for more than 3 minutes.



## Audio

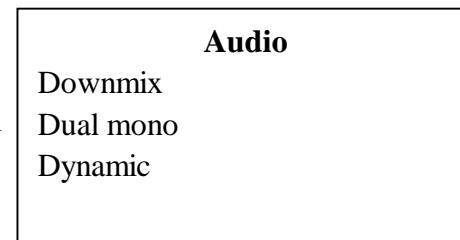
- **Downmix**

If you want analog stereo signals, set the sound mode to Stereo. If you want to have Dolby Pro Logic stereo (the decoded signal will create a 2ch reality simulating effect), select LT/RT.

- **Dual mono**

Select the type of output of the left and right audio output connectors.

Stereo is normal Stereo, L-Mono is all sound on the Left Audio output, R-Mono is all sound on the Right channel. The Mix-Mono function only works when a DVD is being played in DTS 5.1 mode.





- **Dynamic setup**

This function is to adjust the linear compression rate to obtain the different compression results of the signals. Standard set to OFF.

## **Parental**

- **Change**

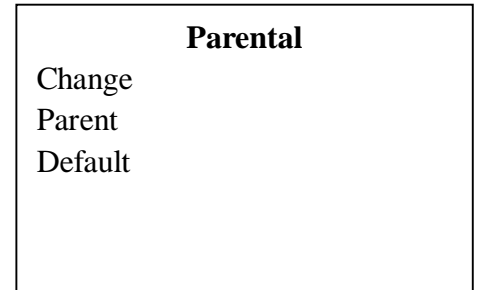
With this option you can change your password. The default password is 0000

- **Parent**

For DVD discs that support this function, parents can prohibit watching content that might be inadvisable for children (use LEFT/RIGHT cursor buttons to choose rating code, then enter password to confirm).

- **Default**

With this option you can clear all your setup and resume default setup.



# Bluetooth operation (option)

---

## Feature:

1. Bluetooth specification V2.0 EDR compliant
2. Support HFP, A2DP, AVRCP.
3. Excellent ECHO cancellation with noise elimination
4. Dial
5. Display incoming and outgoing number
6. Call list
7. Phone book

## Pairing

Before operation it needs to pair the mobile phone and receiver. Prepare your mobile phone for bluetooth connection. According to mobile manual pairing device, when searching new device (KBT), select it, put in pass code "8888" and confirm ok, device paring finished. Operate mobile connect to Bluetooth, after connecting Bluetooth, Bluetooth indicating LED will be on.

**Note:** Make sure to keep the other Bluetooth device within 2 meters from this unit when making the pairing.

## Basic Telephone Operation

Answer a call: Short press ACCEPT CALL button "☞" to answer a call.

Reject a call: Short press REJECT CALL button "☞" to reject a call.

Hang up: Short press REJECT CALL button "☞" to hang up during dialing or talking.

## Dial

Short press ACCEPT CALL button "☞", LCD will blink with "\_", press digit buttons to input phone number, (Press SEL button on panel or LEFT cursor button on the RC to delete a wrong number), then press Accept Call button "☞" to dial the number.

### **Call list/number redial**

Short press ACCEPT CALL button once, the LCD screen will blink with “\_” first, press it again to display the last number, then press NEXT/PREV button to display all incoming and outgoing numbers one by one. Press SEL button on panel or LEFT cursor button on the RC to delete a wrong number (max. 12).

**Note:** While scrolling the numbers you can press ACCEPT CALL”” button to redial any from the list. The functionality may be limited due to some phones' own dedicated interfacing specification.

### **A2DP (Advance Audio Distribution Profile)**

A2DP is a function which can receive the audio frequency signal from mobile phone, amplify by car audio and play out by speaker.

### **Operation:**

Enter Bluetooth music playing program via connect mobile phone (no need to connect if the unit already connected with phone) via play music.

**Note:** A2DP need mobile phone support.

### **AVRCP**


When the music is playing, Press PLAY/PAUSE button once to pause, press again to play. Press NEXT button to the next song, press PREVIOUS button to the previous song. Press VOL+/- buttons to adjust volume.

### **Auto-connect**


When power on, the last paired phone will be connected to the device via Bluetooth automatically, after searching about one minute, if the device can not find the paired phone, it will stop searching.

When in standby mode (unconnected), short press ACCEPT CALL”” button to active auto-connect function and the device will search the last paired phone.


### **Phone book (Max store 250 numbers)**

Press ACCEPT CALL button “

Input Calling Card:

Press ACCEPT CALL button “

Clear up Calling Card:

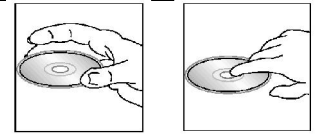
Press ACCEPT CALL button ”

36

## Handling discs

---

- Dirty, scratched or warped discs may cause skip ping or noise.
- Handle the disc only by the edges. To keep clean do not touch its surface.
- Discs should be stored in their cases after use to avoid scratches.
- Do not expose discs to direct sunlight, high humidity, high temperature or dust.
- Prolonged exposure to extreme temperature can warp the disc (such as leaving the discs in your car during summertime).
- Do not stick or write anything on either side of disc. Sharp writing instruments, or the inks used in some felt-tip pens, may damage its surface.
- Do not touch the unlabeled side. Do not attach any seal, label or data protection sheet to either side of a disc.



## Cleaning

---

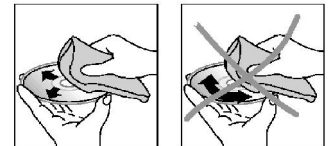
### Cleaning the cabinet

Wipe with a soft cloth. If the cabinet is very dampen (not dropping wet) the cloth with a weak solution of soapy water, and then wipe clean.

### Cleaning discs

Fingerprints should be carefully wiped from the surface of disc with a soft cloth. Unlike conventional records, compact discs have no grooves to collect dust and macroscopic dirt, so gently wiping them with a soft cloth should remove most panicles. Wipe in a straight motion from the center to the edge.

Never use thinner benzine, record cleaner or anti static spray on a compact disc. Such chemicals can damage its plastic surface.



## Troubleshooting guide

Symptom	Cause	Solution
No power	The car ignition is not on.  The fuse is blown.	If the power supply is properly connected to the car accessory switch the ignition key to "ACC". Replace the fuse.
Disc cannot be loaded.	Presence of disc inside the player.	Remove the disc in the player then put a new upward.
Disc cannot be read. (LCD shows "ERROR2")	Inserting the disc in upside down.  Compact disc is extremely dirty or defective.  Temperature inside the car is too high.	Insert the compact disc with the label facing upward. Clean the disc or try to play a new one.  Cool off until the ambient temperature returns to normal.
SD/MMC cannot be read. (LCD shows "ERROR8")	Metal interface is rusty, extremely dirty or defective.	Clean the metal interface or try to play a new one.
USB cannot be read. (LCD shows "S-STOP")	Metal interface is rusty, extremely dirty or defective.	Clean the metal interface or try to play a new one.
No sound	Volume is in minimum. Wiring is not properly connected.	Adjust volume to a desired level. Check wiring connection.
The buttons do not work.	The built-in microcomputer is not operating properly due to noise. Front panel is not properly fix into its place.	Press RESET button.  Reinstall the front panel.
Sound skips.	The installation angle is more than 30 degrees. The disc is extremely dirty or defective.	Adjust the installation angle to less than 30 degrees. Clean the compact disc/try to play a new one.

The radio does not work, the radio station automatic selection does not work.	The antenna cable is not connected the signals are too weak.	Insert the antenna cable firmly select a station manually.
---	---	---

# Specification

---

General	
Power supply:	12 V DC
Storage support:	DVD/DVD±R/DVD±RW/CD/CD-R/CD-RW/USB/SD/MMC
Compatible with:	DVD/VCD/MPEG4/CDDA/MP3/WMA/HDCD/Picture-CD/Photo CD/JPEG playback
Current consumption:	max. 15 A
Maximum power output:	50 W x 4 channels
Dimensions (L x W x H):	178 x 175 x 50 mm
Working temperature range:	-10°C - +60°C
FM Stereo Radio	
Frequency range:	87.5 - 108.0 MHz
Usable sensitivity:	15 uV
Preset memory stations:	18
MW (AM) section	
Frequency range:	522 kHz - 1620 kHz
Preset memory stations:	12
Frequency response:	20 Hz - 20 KHz
S/N ratio (A-vtd):	60 dB
DSP sound effect:	Classic, Rock, Pop, Flat
Line out	
Output:	4 channel RCA line out (2V)
Bluetooth	Ver.2

**Specifications are subject to change without notice. Dimension are approximate.**



## Уважаемый покупатель!

Благодарим Вас за покупку нашего изделия. Для обеспечения безопасности рекомендуется тщательно изучить настоящее руководство перед подключением, эксплуатацией и/или регулировкой изделия, и сохраняйте руководство для использования в будущем.

## Содержание

---

Содержание.....	41
Меры предосторожности.....	42
Комплект поставки .....	43
Установка/подключение .....	44
Элементы управления .....	51
Основные операции.....	55
Операции с цифровым тюнером .....	59
Используемая терминология.....	63
Воспроизведение файлов с DVD/SD/MMC/USB носителей.....	64
Обзор MP3 и WMA.....	71
Настройки DVD.....	73
Операции с Bluetooth (опция) .....	76
Обращение с дисками.....	80
Чистка и уход.....	80
Руководство по устранению неисправностей.....	81
Технические характеристики .....	83

## Меры предосторожности

---

- Тщательно изучите настоящую инструкцию, чтобы ознакомиться с устройством.
- Началом эксплуатации устройства считается момент его установки в автомобиль. Перед началом использования аппарата в зимний период рекомендуется прогреть салон автомобиля в течение 20 минут или до достижения эксплуатационного диапазона температуры аппарата.
- Использование аппарата при температуре, выходящей за рамки эксплуатационного диапазона температур, значительно снижает ресурс работы экрана и других компонентов аппарата и может привести к выходу аппарата из строя.
- При установке и подключении изделия отключите отрицательную клемму аккумулятора автомобиля.
- При замене предохранителя, убедитесь, что вы устанавливаете предохранитель с тем же номиналом. Используя предохранитель с повышенным значением тока, можно причинить значительные повреждения изделию.
- Не пытайтесь разбирать изделие. Лазерные лучи, исходящие из блока оптической головки считывания информации с компакт-диска, опасны для глаз.
- Не используйте устройство в местах, где оно может подвергнуться воздействию воды, влаги и пыли.
- Убедитесь, что шпильки или другие посторонние предметы не попали внутрь изделия. Они могут вызвать сбой в работе или стать причиной опасности, возгорания или поражения лазерным лучом.
- Не открывайте крышки и не проводите ремонт самостоятельно. Обратитесь к дилеру или квалифицированному персоналу
- Убедитесь, вы отключили источник питания и антенну, если вы не будете пользоваться системой в течение длительного времени или во время грозы.
- Убедитесь, что вы отключили источник питания, если обнаружена неправильная работа системы, система издает необычные звуки, запах, выделяет дым или внутрь ее попала жидкость. Проведите квалифицированный технический осмотр системы.
- Прибор разработан так, чтобы отрицательный вывод аккумулятора был подключен к корпусу транспортного средства. Пожалуйста, убедитесь в этом перед установкой.
- Не позволяйте проводам динамиков касаться друг друга или корпуса автомобиля после включения прибора. В противном случае, может быть перегружен или выйти из строя усилитель.

## Комплект поставки

---

Ресивер	1 шт
Пульт дистанционного управления	1 шт
Защитный футляр для передней панели	1 шт
AV кабель	1 шт
USB кабель	1 шт
ISO кабель	1 шт
Детали для установки:	
• Съёмные ключи	2 шт
• Шуруп В5Х20	1 шт
• Болт М5Х6	4 шт
• Шайбы	2 шт
• Металлическая пластина	1 шт
• Резиновый упор	1 шт
• Гайка	1 шт
Информация для потребителя	1 шт
Гарантийный талон	1 шт
Руководство по эксплуатации	1 шт

## **Установка/подключение**

---

- Перед окончательной установкой устройства временно подключите все провода и убедитесь, что все соединения сделаны верно, а устройство и система работают правильно.
- Для обеспечения правильной установки устройства используйте только те детали, которые входят в комплект. Использование других приспособлений может привести к появлению сбоев в его работе.
- Если для установки устройства необходимо сверлить отверстия в кузове автомобиля или вносить какие-либо другие изменения в его конструкцию, проконсультируйтесь с продавцом.
- Устанавливайте устройство там, где оно не будет закрывать водителю обзор и отвлекать от дорожной обстановки и не сможет нанести травм пассажирам в случае внезапной остановки автомобиля, например, при экстренном торможении.
- Если при установке устройства угол относительно горизонтальной плоскости превышает 30°, рабочие характеристики проигрывателя могут быть не оптимальны.
- Никогда не устанавливайте устройство в таких местах, где оно будет подвергаться воздействию высокой температуры, например, в местах попадания прямых солнечных лучей, в местах выхода горячего воздуха от отопителя автомобиля, в местах, где очень грязно или пыльно, или там, где устройство будет подвергаться сильной вибрации.
- Перед установкой устройства обязательно снимите переднюю панель.

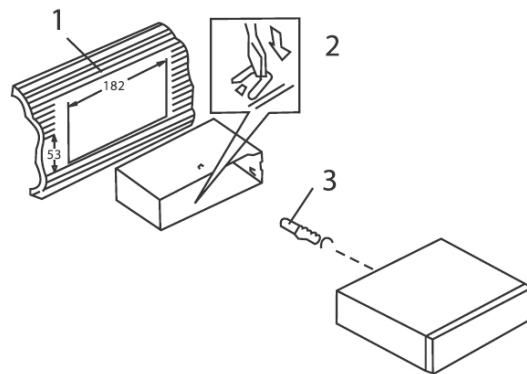
### **Установка устройства в приборную панель автомобиля «спереди» или «сзади»**

Данное устройство может быть установлено либо «спереди» (обычная установка стандарта DIN в приборную панель автомобиля), либо «сзади» (установка стандарта DIN, при которой используются отверстия на боковых сторонах корпуса проигрывателя, имеющие резьбу под винты). Более подробно методы установки А и Б описываются ниже.

## Установка устройства в приборную панель автомобиля «спереди» (Метод А)

### Установка устройства

1. Приборная панель автомобиля
2. Монтажный кожух.
3. Винт
4. Гайка
5. Пружинная шайба
6. Винт
7. Опорная планка.
8. Плоская шайба



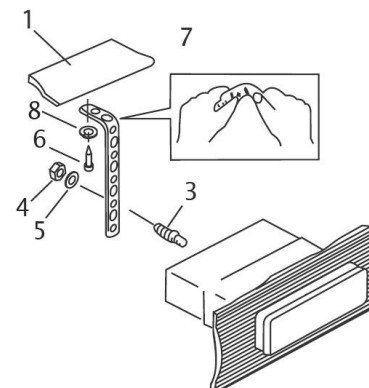
1. Установите монтажный кожух в приборную панель автомобиля, убедитесь, что он установлен правильной стороной и нет препятствий (провода, элементы приборной панели) для установки магнитолы.

2. После установки монтажного кожуха в приборную панель отогните на нем металлические язычки, соответствующие толщине приборной панели. Это позволит закрепить кожух на месте.

3. Обязательно используйте опорную планку для закрепления задней стороны проигрывателя. Определите место крепления и установите ее согласно приведенному рисунку. Планку можно согнуть руками под нужным углом.

4. Подключите необходимые провода и разъемы. Убедитесь в правильности подключения.

5. Установите магнитолу в монтажный кожух до фиксации боковых защелок.



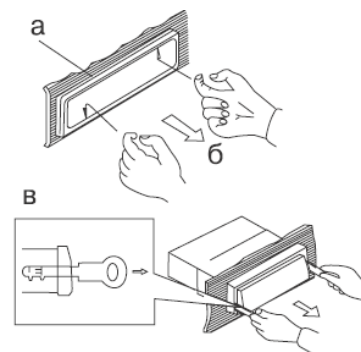
## Снятие устройства

а – Декоративная рамка

б – Направление снятия рамки

в – Установка ключей съемников

1. Выключите магнитолу и снимите переднюю панель.
2. Вставьте пальцы в канавку на передней стороне декоративной рамки (рамка снимается с небольшим усилием). Потяните рамку на себя, чтобы снять ее.
3. Вставьте входящие в комплект ключи съемники с обеих сторон корпуса устройства, как показано на рисунке, до щелчка. Для того чтобы извлечь устройство из приборной панели, потяните за съемники или магнитолу и вытяните её на себя (перед снятием убедитесь, что магнитола не зафиксирована с опорной планкой).

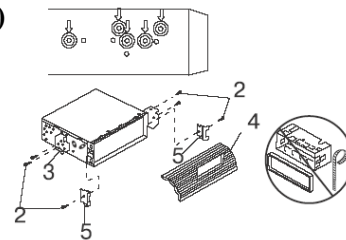


## Установка декоративной рамки

Для установки декоративной рамки прижмите ее к корпусу устройства и нажмите, чтобы вставить на место. Это необходимо сделать до установки передней панели, иначе вы не сможете установить декоративную рамку на место (При установке рамки на место направьте сторону с канавкой вниз и закрепите ее.).

## Установка устройства в приборную панель автомобиля «сзади» (Метод Б)

В данном случае установки используются отверстия для винтов на боковых сторонах устройства. Закрепите устройство с помощью штатных кронштейнов крепления радиоприемника.



1. Выберите такое положение, в котором отверстия для винтов на кронштейне (3) будут совмещены с отверстиями для винтов на корпусе устройства и вкрутите по два винта (2) с каждой стороны.
2. Винт.
3. Монтажный кронштейн штатного радиоприемника.
4. Приборная панель или консоль автомобиля.
5. Защелка (снимите эту деталь).

**Примечание:** При установке по методу Б монтажный кожух и внешняя декоративная рамка не используются.

### Снятие панели

1. Нажмите кнопку OPEN на панели. Панель опустится вниз (рис. 1).
2. Сдвиньте панель вправо и вытяните на себя (рис. 2).

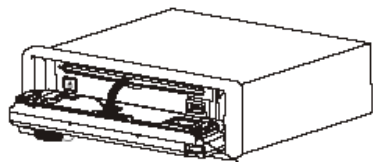


Рис. 1

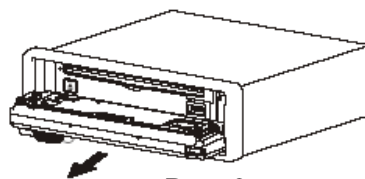


Рис. 2

### Подсоединение съемной панели

1. Держите панель так, чтобы ее лицевая сторона была направлена на Вас, и установите левую сторону кронштейна панели (рис.3).
2. Нажмите на правую сторону панели, чтобы она защелкнулась (рис. 4).

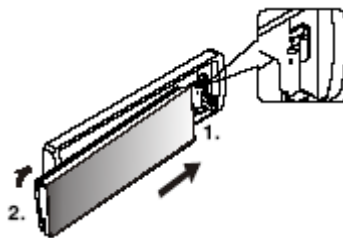


Рис. 3

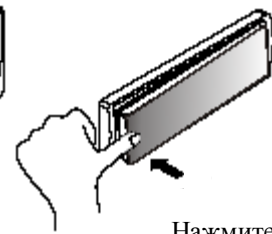


Рис. 4

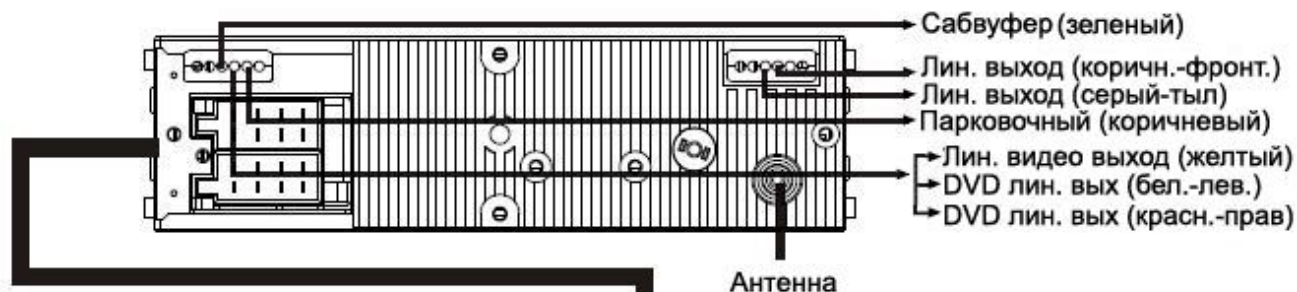
**Внимание:**

- Не устанавливайте съемную панель правой стороной. Это может повредить ее.
- Панель может повредиться из-за внешних факторов: тряски, ударов. После снятия ее с устройства держите панель в защитном футляре и старайтесь не ронять и не наносить физических повреждений.
- Очень важным элементом является коннектор на задней части панели. Не нажимайте на него ногтями, ручками, отвертками.

**Примечание:** Если панель загрязнилась или запылилась, протрите ее сухой чистой тканью. Для чистки разъема в задней части панели используйте тампон, смоченный изопропиловым спиртом.



## Схема электрических соединений



A2  
Для приглушения звука в режиме телефонного разговора

A4  
для постоянного  
подключения к +12 В

A5  
управляющий провод (антенна);  
максимальный ток 300 мА

A7  
для подключения к +12 В  
во время работы двигателя.

A8  
к корпусу автомобиля ("масса")



Передние динамики

B3 правый +

B4 правый -

B5 левый +

B6 левый -

Задние динамики

B1 правый +

B2 правый -

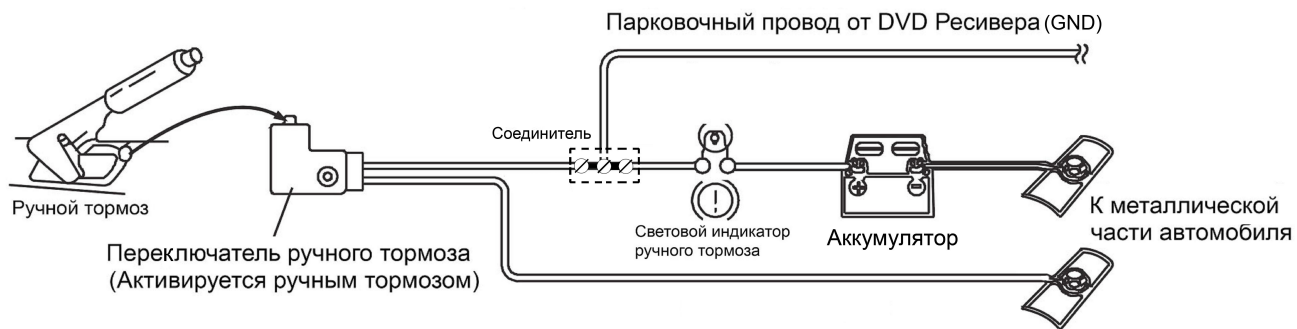
B7 левый +

B8 левый -

**Внимание:** Для некоторых моделей необходимо будет изменить соединение проводов питания. Перед установкой свяжитесь с Вашим региональным дилером.

**Примечания:** Провод A2 следует подсоединять к устройству Hands-Free (приобретается отдельно).

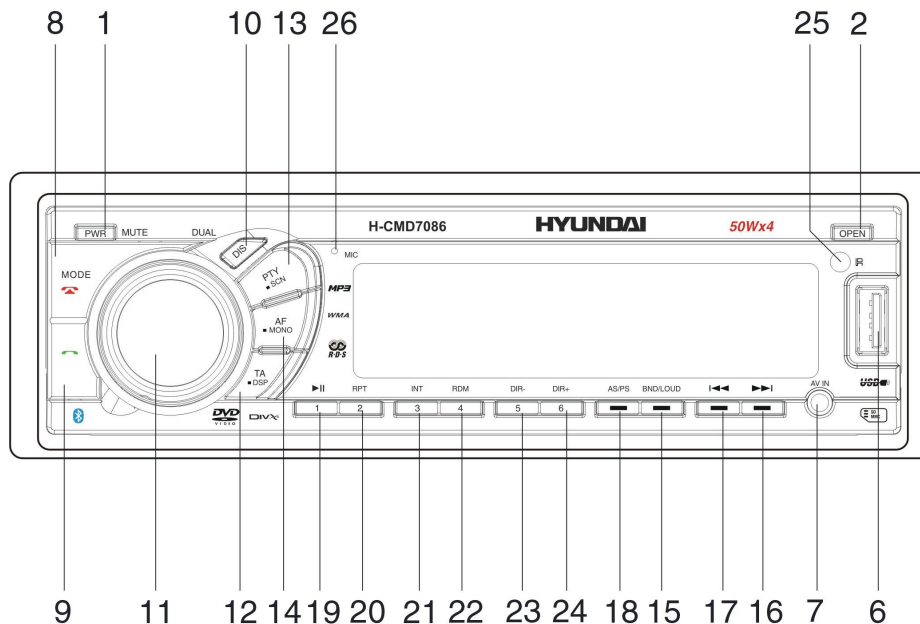
Подключение парковочного провода используется для исключения просмотра видео во время движения; парковочный провод подключается к контактам парковочного (ручного) тормоза, что обеспечивает включение видео изображения во время стоянки.



# Элементы управления

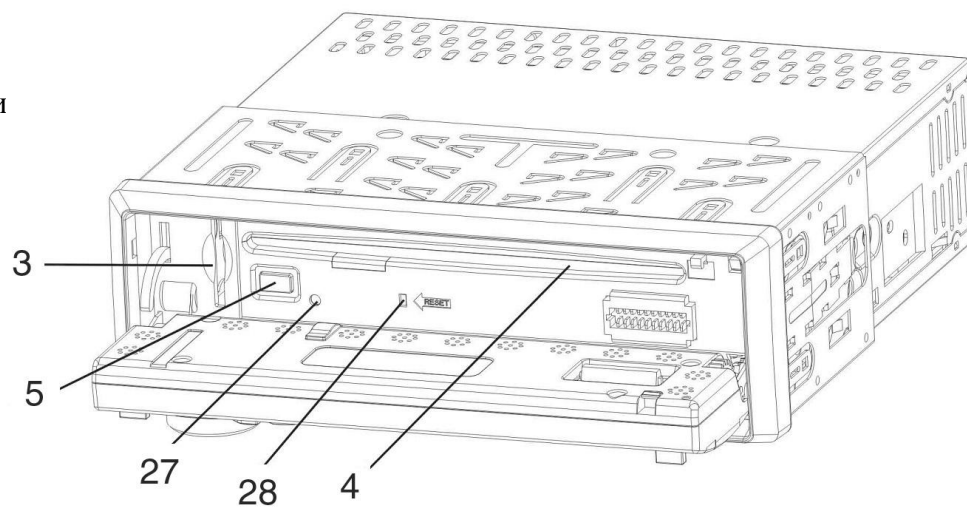
## Передняя панель

1. Кнопка PWR/MUTE
2. Кнопка OPEN
3. Слот для карт SD/MMC
4. Слот для диска
5. Кнопка EJECT
6. USB разъем
7. Вход AV
8. Кнопка MODE/REJECT CALL
9. Кнопка ACCEPT CALL
10. Кнопка DIS/DUAL
11. Регулятор VOL/кнопка SEL
12. Кнопка TA/DSP
13. Кнопка PTY/SCAN
14. Кнопка AF/MONO
15. Кнопка BAND/LOUD
16. Кнопка NEXT
17. Кнопка PREVIOUS
18. Кнопка AS/PS
19. Кнопка 1/PLAY/PAUSE
20. Кнопка 2/RPT
21. Кнопка 3/INT
22. Кнопка 4/RDM



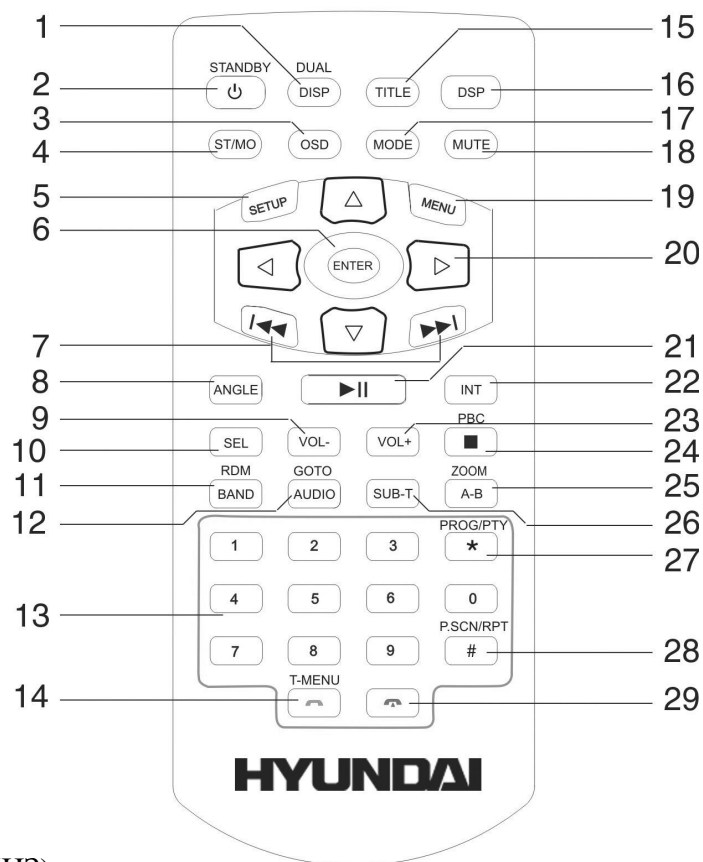
- 23. Кнопка 5/DIR-
- 24. Кнопка 6/DIR+
- 25. ИК сенсор
- 26. Микрофон
- 27. Индикатор статуса панели
- 28. Кнопка RESET

## Внутренняя панель

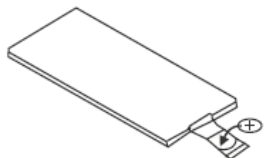


## Пульт дистанционного управления (ПДУ)

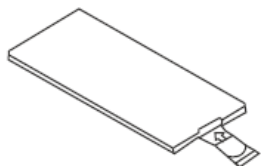
1. Кнопка DISP/DUAL
2. Кнопка STANDBY
3. Кнопка OSD
4. Кнопка ST/MO
5. Кнопка SETUP
6. Кнопка ENTER
7. Кнопка PREVIOUS/NEXT
8. Кнопка ANGLE
9. Кнопка VOL-
10. Кнопка SEL
11. Кнопка BAND/RDM
12. Кнопка AUDIO/GOTO
13. Цифровые кнопки
14. Кнопка ACCEPT CALL/T-MENU
15. Кнопка TITLE
16. Кнопка DSP
17. Кнопка MODE
18. Кнопка MUTE
19. Кнопка MENU
20. Кнопки курсора (ВЛЕВО, ВПРАВО, ВВЕРХ, ВНИЗ)
21. Кнопка PLAY/PAUSE
22. Кнопка INT
23. Кнопка VOL+
24. Кнопка STOP/PBC
25. Кнопка A-B/ZOOM
26. Кнопка SUB-T
27. Кнопка PROG/PTY
28. Кнопка P.SCN/RPT
29. Кнопка REJECT CALL



## Замена батарей в пульте управления:



1. Извлеките лоток для батарей из корпуса ПДУ. Вставьте одну батарею типа CR 2025 3В знаком плюса (+) вверх.



2. Вставьте лоток для батарей в корпус ПДУ.

## Примечания:

- Не позволяйте детям играть с батареями.
- Неправильное использование батарей может стать причиной перегрева или возгорания, что в свою очередь ведет к пожару.
- Утечка батарей может сделать причиной повреждения пульта управления.
- Не закорачивайте полюса батареи. Не бросайте батареи в огонь.

## **Основные операции**

---

### **Сброс настроек**

При первоначальной установке устройства, после подключения или замены аккумулятора нажмите кнопку OPEN, чтобы откинуть переднюю панель, затем нажмите кнопку RESET с помощью острого предмета (шариковая ручка), чтобы вернуть исходные заводские настройки устройства.

### **Кнопка включения**

Нажмите любую кнопку на панели (кроме кнопки OPEN) или кнопку STANDBY на ПДУ, чтобы включить устройство. Для отключения устройства нажмите и удерживайте кнопку PWR/MUTE на панели или кнопку STANDBY на ПДУ.

**Внимание:** При выключении устройства или зажигания автомобиля громкость звука и радио настройки будут сохранены в памяти устройства, и при включении настройки вернуться к сохраненным значениям.

### **Регулирование уровня громкости**

Вращайте регулятор VOL на панели или нажимайте кнопки VOL+/- на ПДУ, чтобы отрегулировать уровень громкости звука.

### **Регулировка настроек аудио**

Нажимайте кнопку SEL, чтобы выбрать одну из настроек аудио: VOL (громкость) => BAS (низкие частоты) => TRB (высокие частоты) => BAL (баланс между левыми/правыми динамиками) => FAD (баланс между задними/передними динамиками). Для регулирования каждой настройки вращайте регулятор VOL или нажимайте кнопки VOL+/- на ПДУ.

### **Примечания:**

- При выключении устройства все настройки будут сохранены.

- При отключения устройства от сети или после выполнения сброса все настройки вернуться к исходным заводским значениям.
- Если в течение 6 секунд после выбора параметра Вы не выполняете никаких операций, устройство автоматически вернется в предыдущий режим.

### **Регулировка специальных настроек**

Во время прослушивания радио нажмите и удерживайте в течение 2 секунд кнопку SEL, чтобы войти в режим специальных настроек. Нажимайте кнопку SEL, чтобы выбрать один из режимов: TA SEEK => PI MUTE => RETUNE L => MASK DPI =>TA VOL => EON TA => DISP REV => BEEP. Для настройки выбранного режима вращайте регулятор VOL или нажимайте кнопки VOL+/- на ПДУ.

#### **TA SEEK/TA ALARM**

В режиме TA SEEK устройство будет искать станции, передающие информацию о дорожном движении; в режиме TA ALARM, поиск не идет, но при появлении информации о чрезвычайной ситуации на дорогах устройство активирует передачу этой информации.

#### **PI SOUND/MUTE**

PI SOUND - когда происходит частое переключение между двумя радиостанциями, то звук этих станций будет одновременно звучать в течение 1 секунды. PI MUTE - в аналогичной ситуации звук будет приглушен на 1 секунду.

#### **RETUNE S/L - SHORT/LONG**

RETUNE-S или RETUNE-L – это выбор временного интервала повторного поиска в режиме TA SEEK.

Retune S: короткий интервал поиска в режиме TA SEEK – 30 секунд.

Retune L: длинный интервал поиска в режиме TA SEEK – 90 секунд.

#### **MASK DPI/MASK ALL**

Режим MASK DPI - маскируется только альтернативная частота, которая передает сигналы RDS, но имеет другой PI (код идентификации программы). Режим MASK ALL - маскируется альтернативная частота, которая имеет другой PI, или не передает сигналы RDS.



**TA VOLUME** – Вращайте регулятор VOL или нажимайте кнопки VOL+/- на ПДУ, чтобы установить громкость вещания ТА информации.

**EON TA** – Вращайте регулятор VOL, чтобы выбрать режим EON TA LO или EON TA DX. Для приема только удаленных радиостанций выберите режим EON TA LO. Для приема как удаленных, так и местных радиостанций выберите режим EON TA DX.

**BEEP**: При активации данной функции нажатия кнопок будут сопровождаться звуковым сигналом. Нажимайте кнопку SEL, пока на дисплее не отобразится надпись BEEP, затем нажимайте кнопки VOL+/-, чтобы включить или отключить функцию BEEP (также можно установить режим, при котором звуковое сопровождение активно только после нажатия и удержания кнопок – BEEP 2ND).

**DISP REV**: Выберите цвет подсветки дисплея: черный/белый.

### **Отключение звука**

Нажмите кнопку MUTE на ПДУ или кнопку PWR/MUTE на панели, чтобы отключить звук. Нажмите кнопку повторно или нажмите кнопки VOL+/- на ПДУ или вращайте регулятор VOL на панели, чтобы включить звук.

### **Выбор режима работы устройства**

Нажимайте кнопку MODE на ПДУ или кнопку MODE/REJECT CALL, чтобы выбрать режим работы устройства: TUNER (радио) => DVD (диск) (если в устройство вставлен диск) => USB (если подключено USB устройство) => SD (если к устройству подключена карта памяти) => AUX.

### **Настройка эквалайзера**

Нажимайте и удерживайте кнопку TA/DSP на передней панели или нажимайте кнопку DSP на ПДУ, чтобы выбрать режим эквалайзера: FLAT => CLASSICS => POP => ROCK => DSP OFF.

### **Дополнительный вход AV**

Разъем предназначен для приема аудио и видео сигналов с подключенного к ресиверу внешнего устройства.

### **Дисплей**

Нажимайте кнопку DIS/DUAL на ресивере или кнопку DISP/DUAL на ПДУ, чтобы вывести на дисплей текущую информацию в следующем порядке: Время => Радио частота => РТУ=> Выход.

# Операции с цифровым тюнером

---

**Внимание:** Сервис RDS (Система радио данных) доступен не во всех регионах. Имейте в виду, что если услуга RDS не доступна в Вашем регионе, то данная функция не будет работать.

## Обозначения:

PI: программа идентификации кода.

PS: программа услуги наименования передаваемой станции – наименование станций отображается в алфавитном порядке.

TR: программа приема информации о дорожном движении – транслируются радиостанции, передающие информацию о дорожном движении.

TA: поиск программ о дорожном движении – показывает информацию о дорожном движении.

AF: альтернативная частота – перечень частот вещательных станций, передающих ту же программу.

## Выбор диапазона

В режиме радио нажимайте кнопку BAND, чтобы выбрать диапазон: FM1, FM2, FM3, MW1 (AM1), MW2 (AM2).

## Ручной/автоматический поиск радиостанций

- **Ручной поиск:** Выберите диапазон. Нажмите и удерживайте кнопки PREVIOUS/NEXT; на дисплее отобразится надпись MANUAL (ручной поиск). Затем нажимайте кратко эти кнопки, чтобы вручную увеличить или уменьшить частоту для поиска станции.
- **Автоматический поиск:** Выберите диапазон. Нажмите кнопки PREVIOUS/NEXT, чтобы начать автоматический поиск. Поиск прекратится при приеме первой станции с сильным сигналом, при этом начнется ее воспроизведение.

## **Сохранение радиостанций**

Вы можете сохранять в памяти устройства и воспроизводить до 6 радиостанций в каждом из 5 поддиапазонов, т.е. всего 30 станций (18 FM и 12 AM (MW)).

- Чтобы сохранить станцию:
  - Выберите диапазон.
  - Выберите станцию при помощи кнопок PREVIOUS/NEXT.
  - Нажмите и удерживайте в течение 2 секунд кнопку с цифрой (1-6), под которой Вы хотели бы сохранить эту станцию.
- Чтобы вызвать станцию:
  - Выберите диапазон.
  - Нажмите кнопку с номером нужной сохраненной станции (1~6).

## **Кнопка AF/MONO**

Нажмите кнопку AF/MONO на панели для активации функции AF. Нажимайте и удерживайте эту кнопку или нажимайте кнопку ST/MO на ПДУ для переключения между режимами моно и стерео приема.

## **Функция автоматического сохранения станций в памяти**

Выберите диапазон. Нажмите и удерживайте кнопку AS/PS на панели или кнопку P.SC�N/RPT на ПДУ, 6 самых сильных доступных станций будут автоматически сохранены в памяти устройства под цифровыми кнопками 1-6. Для остановки автоматического сохранения, повторно нажмите эту кнопку.

## **Функция автоматического сканирования станций**

Нажмите кнопку AS/PS на панели или кнопку P.SC�N/RPT на ПДУ, чтобы прослушать все сохраненные в текущем диапазоне станции в течение нескольких секунд. Чтобы остановить сканирование, повторно нажмите эту кнопку.

### **Функция ТА (программы о дорожном движении)**

1. При нажатии на кнопку ТА/DSP режим ТА включается или выключается. При включенном режиме ТА на дисплее отображается символ ТА.
2. Если ТА или TP сигнал доступен с текущей станции, на дисплее отобразится символ TP. Когда функция ТА/TP включена, начнется передача программы о дорожном движении, при этом на дисплее будет мигать символ ТА.

### **Функция AF (Альтернативные частоты)**

Нажмите кнопку AF/MONO на панели для включения или выключения режима AF. При включении на дисплее появится надпись «AF».

В активном режиме AF радио постоянно проверяет силу сигнала альтернативных частот, на которых может транслироваться RDS программа. Во время поиска символ AF будет мигать. Если сигнал слабый или исчезает, тюнер будет автоматически искать другую частоту с этой программой.

По умолчанию данная функция включена.

### **ФункцияPTY (Тип программы)**

1. Нажимайте кнопку PTY/SCN на панели или кнопку PROG/PTY на ПДУ, чтобы выбрать группу программ: MUSIC (музыкальная группа) => SPEECH (информационная группа) => отключение функции PTY.
2. После выбора группы программ нажимайте кнопки с цифрами (1-6), чтобы выбрать тип программы в соответствии с таблицей:

Цифра	Музыкальная группа
1	POP M, ROCK M
2	EAST M, LIGHT M
3	CLASSICS, OTHER M
4	JAZZ M, COUNTRY M

Цифра	Информационная группа
1	NEWS, AFFAIRS, INFO
2	SPORT, EDUCATE, DRAMA
3	CULTURE, SCIENCE, VARIED
4	WEATHER, FINANCE, CHILDREN

5	NATION M, OLDIES M
6	FOLK M

5	SOCIAL, RELIGION, PHONE IN
6	TRAVEL, LEISURE, DOCUMENT

3. Начнется автоматический поиск выбранного типа программы. Если программа недоступна, символ РТУ будет мигать.
4. Нажмите кнопку РТУ/SCN на панели или кнопку PROG/РТУ на ПДУ, чтобы отключить функцию РТУ.

## **Используемая терминология**

---

### **РВС (управление воспроизведением)**

Управление воспроизведением – это меню, записанное на видео компакт-дисках. Использование экранного меню видео компакт-диска с РВС, позволяет Вам пользоваться простыми интерактивными программами с функциями поиска. Вы также можете просматривать неподвижные изображения с высоким разрешением.

### **Раздел**

Большой объем диска позволяет записывать несколько фильмов или роликов. Например, если 1 диск содержит 3 разных фильма (ролика), они подразделяются как Раздел 1, Раздел 2 и Раздел 3. Это позволяет Вам пользоваться удобными функциями поиска.

### **Глава**

Любой раздел может состоять из отдельных блоков, каждый из которых можно просматривать отдельно. Такой блок называется главой. В каждой главе должно содержаться не меньше одного трека.

### **Трек**

Трек – это дорожка, музыкальная или видео композиция. Например, песня, записанная на диске, является треком.

## Воспроизведение файлов с DVD/SD/MMC/USB носителей

### Диски для воспроизведения

- Это устройство может воспроизводить разновидности цифровых дисков: DVD/DVD±R/±RW/CD/CD-R/CD-RW.
- Совместимо с форматами: DVD/SVCD/VCD/DVD Audio/CDDA/MP3/CD/WMA/ HDCD/Picture-CD/Photo-CD/JPEG.
- Поддерживаются следующие типы файлов:
  - Аудио файлы: MP3 (\*.mp3)  
WMA (\*.wma)
  - Видео файлы: MP4 (\*.avi, DIVX3.11/4.0/5.0/6.0 and XVID)  
MPEG 2(\*.vob)  
MPEG 1(\*.dat)
  - Файлы с изображениями: JPEG (\*.jpg)
- ISO 9660 или ISO 9660 + формат Joliet - максимум 30 знаков.
- Максимальное число треков – 448.
- Максимальное число вложений - 8 уровней.
- Максимальное число альбомов – 99.
- Максимальная длина каждого трека - 99 минут 59 секунд.
- Поддерживаемая частота дискретизации для MP3 диска: от 8 кГц до 48 кГц (предпочтительно 44,1 кГц).
- Поддерживаемые скорости цифрового потока MP3 диска: 32 - 320 Кб/сек (предпочтительно 128 Кб/сек).
- Не поддерживаются следующие форматы: \*.ACC, \*.DLF, \*.M3U, \*.PLS, MP3 PRO, файлы с DRM.
- Диски с открытой сессией записи не поддерживаются.



### **Примечания по USB/SD/MMC разъемам**

Воспроизведение MP3 файлов с USB карт (флеш-память).

1. Поддержка карт памяти SD/MMC, 2 в 1 (SD/MMC).
2. Поддержка USB флеш-карты.
3. Поддержка FAT 12/ FAT 16/ FAT 32
  - FAT 12/ 16 (поддержка 200 папок, 500 файлов),
  - FAT 32 (поддержка 200 папок, 500 файлов).
1. Имя файла: 32 байта/ имя папки: 32 байта.
2. Тэг (id3tag ver 2.0)
  - Имя/ Исполнитель/ Альбом: поддержка 32 байтов.
6. Многофункциональный карт-ридер не поддерживается.
7. Поддержка формата USB 2.0.

### **Примечание:**

**USB:** Поддержка формата USB 2.0. Емкость: до 2 Гб.

**SD:** Поддержка брендов SD карт памяти: Cannon, Fuji film, Palm, Motorola, Microsoft, IBM, HP, Compaq, Sharp, Samsung и т.д. Емкость: до 2 Гб.

**MMC:** Поддержка брендов MMC карт памяти: Ericsson, Nokia, Motorola, HP, Palm, Sanyo, Microsystems и т.д. Емкость: до 2 Гб.

### **Загрузка/извлечение диска**

Включите питание устройства. Нажмите кнопку OPEN, чтобы открыть переднюю панель. Установите диск в слот маркированной стороной вверх. Для извлечения диска нажмите кнопку EJECT.

### **Установка устройств SD/MMC/USB**

Установите SD/MMC карту или USB носитель в соответствующий слот. Устройство автоматически перейдет в соответствующий режим. Начнется воспроизведение первого трека установленного устройства.

**Внимание:** Если было установлено сразу два устройства, ресивер перейдет в режим того, которое было установлено последним.

### **Воспроизведение/Пауза**

После установки диска, карты памяти или USB носителя в устройство начинается автоматическое воспроизведение первого трека на носителе. Чтобы обеспечить высокое качество воспроизведения, дождитесь, пока плеер закончит читать диск, а затем начинайте воспроизведение. Если Вы хотите начать воспроизведение немедленно, нажмите кнопку PLAY/PAUSE. Во время воспроизведения нажмите кнопку PLAY/PAUSE для временной приостановки воспроизведения. Нажмите кнопку PLAY/PAUSE еще раз, чтобы возобновить воспроизведение.

### **Переход к предыдущему или следующему треку**

Во время воспроизведения нажмите кнопку PREVIOUS, чтобы начать воспроизведение предыдущего трека. Нажмите кнопку NEXT, чтобы перейти к следующему треку.

### **Ускоренное воспроизведение вперед или назад**

Во время воспроизведения нажимайте и удерживайте кнопки PREVIOUS/NEXT для ускоренного воспроизведения назад или вперед. При каждом нажатии скорость воспроизведения будет изменяться.

**Примечание:** Когда ускоренное воспроизведение достигает начала следующего трека, возобновляется нормальный режим воспроизведения.

### **Выбор папки**

При воспроизведении MP3 файлов нажимайте кнопки 5/DIR-, 6/DIR+ чтобы выбрать нужную папку.

### **Функция тонокомпенсации**

Нажмите и удерживайте кнопку BAND/LOUD на панели или кнопку DSP на ПДУ, чтобы включить или выключить функцию “Loud” (тонокомпенсация), которая компенсирует недостаточность низких и высоких частот на малой громкости.

### **Повтор воспроизведения**

Во время воспроизведения нажимайте кнопку RPT на панели или кнопку P.SCN/RPT на ПДУ, чтобы выбрать режим повторного воспроизведения:

Для MP3: Повтор файла => Повтор раздела => Повтор всех файлов.

Для DVD: Повтор раздела => Повтор главы => Отмена повтора.

Для CD: Повтор диска => Повтор трека.

**Примечание:** Чтобы выбрать повтор папки или повтор раздела, нажмите и удерживайте кнопку RPT на панели или кнопку P.SCN/RPT на ПДУ.

### **Изменение угла просмотра (только для DVD дисков)**

Если DVD-диск поддерживает демонстрацию сцен с различных точек съемки, нажмите кнопку ANGLE на ПДУ для включения данной функции. Если диск не поддерживает многоугловое воспроизведение, эта функция не будет работать.

### **Выбор языка аудио**

Если DVD-диск поддерживает несколько языков аудио, нажимайте кнопку AUDIO/GOTO на ПДУ, чтобы выбрать нужный язык.

### **Выбор канала (для VCD дисков)**

Нажимайте кнопку AUDIO/GOTO, чтобы выбрать канал: левый моно => правый моно => смешанное моно => стерео.

### **Выбор языка субтитров (для DVD дисков)**

Нажимайте кнопку SUB-T на ПДУ, чтобы выбрать нужный язык отображения субтитров, если данная опция поддерживается диском.

### **Изменение масштаба изображения (для DVD/VCD дисков)**

Во время воспроизведения нажмите и удерживайте кнопку A-B/ZOOM на ПДУ. Масштаб изображения будет изменяться в следующем порядке: X2=> X3=> X4=> X1/2=> X1/3=> X1/4=> стандартное.

### **Повторное воспроизведение фрагмента (A-B)**

Нажмите кнопку A-B/ZOOM, чтобы установить точку начала фрагмента (A), нажмите кнопку повторно, чтобы установить точку окончания фрагмента (B); начнется повторное воспроизведение выбранного фрагмента. Нажмите эту кнопку для возврата к нормальному воспроизведению.

### **Отображение информации на экране**

Нажимайте кнопку OSD на ПДУ, чтобы отобразить на экране информацию о воспроизведении. Такая информация может включать в себя следующие данные: количество треков, истекшее время воспроизведения текущего трека/главы, оставшееся время воспроизведения текущего трека/главы, полное истекшее время воспроизведения, полное оставшееся время.

### **Работа с меню (для DVD дисков)**

Меню разделов

- Нажмите кнопку TITLE на ПДУ, чтобы отобразить меню разделов на дисплее.
- Выберите нужный раздел.

- Нажмите кнопку ENTER или кнопку PLAY/PAUSE, чтобы подтвердить выбор и начать воспроизведение.

### **PBC (управление воспроизведением) (только для VCD дисков)**

Если вы используете VCD диск с функцией PBC, автоматически начинается воспроизведение с начала первого трека.

1. Нажмите кнопку STOP/PBC на ПДУ, чтобы во время воспроизведения активировать интерактивное меню на экране.
2. Если меню состоит из списка разделов, Вы можете непосредственно выбирать нужные разделы при помощи кнопок с цифрами или кнопок курсора на ПДУ.
3. При вводе номера раздела воспроизведение начнется автоматически, при выборе раздела нажмите кнопку PLAY/PAUSE, чтобы подтвердить выбор и начать его воспроизведение.
4. Нажмите кнопку STOP/PBC, чтобы возвратиться к меню диска.
5. Нажмите и удерживайте кнопку STOP/PBC, чтобы выйти из меню.

### **Программирование воспроизведения**

Нажмите кнопку PROG/PTY на ПДУ, чтобы открыть меню программирования воспроизведения. Нажимайте кнопки с цифрами, чтобы выбрать номер трека, затем с помощью кнопок курсора установите курсор на пункт PLAY.

Нажмите кнопку ENTER для запуска воспроизведения программы. Вы можете выбрать пункт СБРОС, чтобы отменить программирование. Нажмите кнопку PROG/PTY, чтобы выйти из меню программирования.

### **GOTO (переход к заданному параметру)**

Нажмите и удерживайте кнопку AUDIO/GOTO при воспроизведении DVD диска, чтобы войти в режим GOTO. С помощью кнопок с цифрами введите номер главы/трека или время диска. Нажмите кнопку ENTER для запуска воспроизведения с учетом введенных параметров.

## **Кнопка MENU**

Нажмите кнопку MENU при воспроизведении DVD диска для отображения меню диска.

## **Функция Intro**

Нажмите кнопку INT для включения обзорного воспроизведения, т.е. воспроизведения первых 10 секунд каждого трека (не поддерживается некоторыми типами дисков).

## **Двухзонный режим**

При воспроизведении DVD диска нажмите и удерживайте кнопку DIS/DUAL на панели или кнопку DISP/DUAL на ПДУ для активации двухзонного режима. Нажмите кнопку MODE на ПДУ или кнопку MODE/REJECT CALL на панели, чтобы выбрать режим тюнера для передней зоны; в передней зоне будет воспроизводиться DVD диск (только при правильно выполненном подключении).

Следует иметь в виду, что для реализации двухзонного режима, необходимо подключение дополнительного дисплея, а также усилителя мощности с акустическими системами. Как вариант, возможно использование автомобильного телевизора со встроенными динамиками, т.к. сигнал для задней зоны присутствует только на линейном выходе устройства, к которому и подключаются дополнительный дисплей и усилитель с акустикой.

## **Воспроизведение в произвольном порядке**

В режиме воспроизведения дисков нажмите и удерживайте кнопку BAND/RDM на ПДУ или кнопку RDM на устройстве для воспроизведения в произвольном порядке. Для возобновления воспроизведения в нормальном режиме нажмите кнопку повторно.

# Обзор MP3 и WMA

---

## Примечания по MP3 и WMA:

- MP3 это краткое обозначение аудио слоя MPEG 3 и относится к стандарту технологии сжатия звука.
- Данное изделие позволяет воспроизводить файлы MP3 на дисках CD-ROM, CD-R или CD-RW.
- Изделие может считывать файлы MP3, записанные в формате, соответствующем ISO 9660. Однако оно не поддерживает данные MP3, записанные методом пакетной записи.
- Изделие не может считывать файлы MP3, которые имеют расширение файла, отличающееся от “.mp3”.
- Если вы воспроизводите не MP3 файл, который имеет расширение “.mp3”, вы можете слышать некоторые шумы.
- В данном руководстве мы рассматриваем файлы, называемые “файлами MP3” и “папкой”, а в технологии PC “дорожкой” и “альбомом” соответственно.
- Максимальное количество уровней директории равно 8, включая корневую директорию. Максимальное количество файлов и папок на диске 256.
- Изделие может не воспроизводить дорожки в последовательном порядке.
- Изделие воспроизводит только аудио треки, если диск содержит как аудио треки, так и файлы MP3.
- При воспроизведении диска 8 килобит или VBR, истекшее время воспроизведения в окне дисплея будет неправильным, а также ознакомительное воспроизведение может не действовать надлежащим образом. VBR: Переменная скорость передачи битов.
- Устройство поддерживает воспроизведение WMA файлов. Воспроизведение ID3 тегов для формата WMA не является гарантированным, так как это зависит от версий и наличия кириллицы.
- WMA (Windows Media Audio) – формат сжатия музыкальных данных, созданный Microsoft Corporation. Формат использует алгоритмы кодирования для сжатия исходной аудиозаписи, значительно уменьшая размеры файла, но, сохраняя хорошее качество звука даже при низких (например, 64 Кбит/сек) скоростях передачи данных (битрейтах).

- Помните, что изделие может не воспроизводить треки в том порядке, в котором они записаны на диске.

### **Замечание по созданию собственных CD-R или CD-RW, содержащих файлы MP3:**

- Для получения высокого качества звука мы рекомендуем преобразовывать файлы MP3 с эталонной частотой 44,1 кГц и фиксированным битрейтом 128 Кбит/сек.
- НЕ сохраняйте более 256 файлов MP3 на диске.
- Для формата, совместимого с ISO 9660, максимально допустимая глубина вложенных папок равняется 8, включая корневую директорию (папку).
- При использовании диска CD-R воспроизведение возможно только для дисков, которые были закончены.
- Убедитесь, что при записи MP3 CD-R или CD-RW были отформатированы как диски данных, а НЕ как аудио диски.
- Вы не должны записывать не-MP3 файлы или ненужные папки вместе с файлами MP3 на диск, в противном случае потребуется много времени, пока изделие начнет воспроизводить файлы MP3.
- На некоторых CD-R или CD-RW данные могут не быть записаны надлежащим образом в зависимости от качества их производства. В этом случае данные могут быть воспроизведены не надлежащим образом. Рекомендуются диски CD-R или CD-RW высокого качества.
- Имя альбома или композиции может содержать до 16 символов. Необходима версия 1.x ID3TAG.
- WMA (Windows Media Audio) – формат сжатия музыкальных данных, созданный Microsoft Corporation. Формат использует алгоритмы кодирования для сжатия исходной аудиозаписи, значительно уменьшая размеры файла, но, сохраняя хорошее качество звука даже при низких (например, 64 Кбит/сек) скоростях передачи данных (битрейтах).
- Помните, что изделие может не воспроизводить треки в том порядке, в котором они записаны на диске.



## Настройки DVD

---

Нажмите кнопку **SETUP**, чтобы войти в меню настроек DVD. Нажимайте левую или правую кнопки курсора для выбора одной из страниц настроек: Язык, Дисплей, Аудио, Ограничение. Нажимайте кнопки курсора **ВВЕРХ/ВНИЗ**, чтобы выбрать пункт меню на странице настроек. С помощью кнопки курсора **ВЛЕВО** перейдите к списку опций для каждого пункта меню. Нажмите кнопку **ENTER** для активации выбранной опции.

### Язык

- **Меню**

Выберите один из 6 языков экранного меню.

- **Субтитры**

Выберите язык субтитров. Если Вы не выберете язык, будет воспроизводиться первый язык, записанный на диске.

- **Аудио**

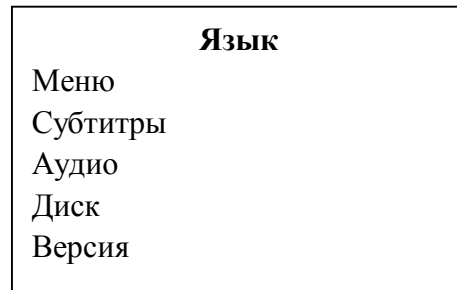
Из языков, содержащихся на DVD-диске, выберите язык звукового сопровождения. Если вы не выбрали язык, будет воспроизводиться первый язык, записанный на диске.

- **Диск**

Из языков, содержащихся на DVD-диске, выберите нужный язык меню диска. Если вы не выбрали язык, будет воспроизводиться первый язык, записанный на диске.

- **Версия**

С помощью этой опции вы можете узнать версию прошивки устройства.



## Дисплей

- **ТВ формат**

Доступны три формата экрана с разным соотношением сторон: 4:3 PS (Pan Scan), 4:3 LB (Letterbox) и 16:9. При воспроизведении дисков разных форматов изображение будет отличаться в зависимости от этих настроек и размера экрана.

- **ТВ система**

Выберите систему ТВ в меню настроек (Авто, NTSC, PAL)

**Примечание:** PAL обычно используется в Европе, NTSC – в США и Японии.

- **Угол обзора**

Выбор угла просмотра эпизода. Если вы активировали эту функцию, при воспроизведении формата DVD на экране отобразится индикатор угла просмотра эпизода. Данная функция поддерживается не всеми дисками.

- **Заставка**

Если вы активировали эту функцию, при воспроизведении формата DVD экран входит в режим предохранения экрана при остановке воспроизведения более чем на 3 минуты.

## Аудио

- **Микширование**

Для работы с аналоговым стереосигналом выберите режим воспроизведения аудио Стерео. Для работы в стереорежиме Dolby Pro Logic (декодируемый сигнал, создающий двухканальный эффект реальности), выберите «ЛВ/ПР».

- **Двойное моно**

Выберите режим выхода левого и правого каналов. Стерео – обычный стереорежим; Л-Моно – весь звук воспроизводится левым каналом; П-Моно – весь звук воспроизводится правым каналом. Функция Смеш. моно доступна только при воспроизведении диска DVD в формате DTS 5.1.

### Дисплей

ТВ формат  
ТВ система  
Угол обзора  
Заставка

### Аудио

Микширован.  
Двойн. моно  
Динам. диап.

- **Динамический диапазон**

Данная функция предназначена для настройки уровня динамической компрессии звукового сигнала. Настройка по умолчанию – ВЫКЛ.

### **Ограничение**

- **Пароль**

С помощью этой опции вы можете изменять пароль. Пароль по умолчанию 0000.

- **Ограничение**

Для DVD дисков с функцией рейтинга ограничения родители могут устанавливать ограничение на просмотр диска, содержание которого может быть недопустимо для детей. Используйте кнопки курсора ВЛЕВО/ВПРАВО для выбора кода, затем введите пароль для подтверждения.

- **По умолчанию**

С помощью этой опции вы можете отменить установленные вами настройки и вернуть фабричные настройки.

<b>Огранич.</b>
Пароль
Огранич.
По умолч

## Операции с Bluetooth (опция)

---

### Описание:

1. Версия Bluetooth V2.0 EDR
2. Поддержка HFP (Hands Free Profile) - профиль “свободные руки”, A2DP (Advanced Audio Distribution Profile) профиль передачи стерео звука, AVRCP (Audio/Video Remote Control Profile) профиль дистанционного управления аудио и видео.
3. Система подавления эха и шумов
4. Набор номера
5. Отображение входящего и исходящего номера телефона
6. Список звонков
7. Телефонная книга

### Установка соединения

Подготовьте ваш телефон к подключению к ресиверу через Bluetooth (для подробной информации смотрите инструкцию по эксплуатации вашего мобильного телефона).

Запустите на вашем телефоне поиск Bluetooth устройств. В списке появится название данного устройства (КВТ); выберите его, введите пароль “8888” и подтвердите. Подключение завершено. На дисплее ресивера появится символ Bluetooth.

**Примечание:** Убедитесь в том, что подключенный мобильный телефон находится на рабочем расстоянии (пр. 2 метра) от ресивера для нормальной работы Bluetooth.

### Основные операции с Bluetooth

Ответ на входящий вызов: нажмите кнопку ACCEPT ALL ”☞”, чтобы ответить на звонок.

Отклонение вызова: нажмите кнопку REJECT CALL ”☞”, чтобы отклонить вызов.

Отбой: нажмите кнопку REJECT CALL ”☞” во время разговора, для того чтобы закончить разговор.

## **Набор номера**

Нажмите кнопку ACCEPT CALL "☞", на дисплее отобразится символ "\_", нажимайте кнопки с цифрами, чтобы ввести номер телефона (нажимайте кнопку SEL на панели или кнопку курсора ВЛЕВО на ПДУ, чтобы стереть цифру), нажмите кнопку ACCEPT CALL "☞" еще раз, чтобы набрать номер.

## **Список входящих звонков**

Нажмите кнопку ACCEPT CALL "☞" на дисплее отобразится "\_", нажмите эту кнопку еще раз, чтобы отобразить последний номер (входящий или исходящий), затем нажимайте кнопки PREV/NEXT, чтобы отобразить входящие и исходящие звонки (максимум 12). Нажмите кнопку SEL на панели или кнопку курсора ВЛЕВО на ПДУ, чтобы удалить номер.

**Примечание:** Во время просмотра списка звонков вы можете нажать кнопку ACCEPT CALL "☞", чтобы набрать любой номер из списка.

## **A2DP**

A2DP – профиль с помощью которого передается аудио сигнал с мобильного телефона на ресивер. (Прослушивание музыки на ресивере через Bluetooth с вашего мобильного телефона).

Чтобы активировать эту функцию, подключите ваш телефон к ресиверу через Bluetooth профиль A2DP (для подробной информации смотрите инструкцию по эксплуатации вашего мобильного телефона).

**Примечание:** Функция будет работать только в том случае, если ваш телефон поддерживает профиль A2DP.

## **AVRCP**

Во время прослушивания музыки через профиль A2DP, вы можете управлять воспроизведением с помощью элементов управления на передней панели или ПДУ. Нажмите кнопку PLAY/PAUSE, чтобы поставить воспроизведение на паузу, нажмите еще раз чтобы возобновить воспроизведение. Нажмите

кнопку NEXT, чтобы выбрать следующую композицию, нажмите кнопку PREVIOUS чтобы выбрать предыдущую композицию. Нажимайте кнопки VOL+/- для регулирования громкости.

**Примечание:** В зависимости от телефона и программы для воспроизведения аудио-композиций на вашем телефоне часть функций этого профиля может не поддерживаться.


### **Авто-подключение**

При разрыве связи (при условии, что функция Bluetooth активирована на вашем телефоне), когда благоприятные условия восстановятся (рабочее расстояние, отсутствие преград), связь восстановится автоматически, поиск будет продолжаться в течение одной минуты, если в течение этого времени последний подключенный до разрыва связи телефон не будет найден, поиск прекратится. Если устройства не подключены, а функция Bluetooth активирована, нажмите кнопку АССЕПТ CALL “☞”, чтобы включить функцию авто-подключения. Последний телефон, который был подключен к ресиверу, будет найден и переподключен.



**Примечание:** Функциональность Bluetooth может быть ограничена характеристиками мобильного телефона. Вследствие этого некоторые функции могут не активироваться или телефон не сможет подключиться к ресиверу.

### **Телефонная книга (может содержать максимум 250 номеров)**


Нажмите кнопку АССЕПТ CALL “☞”, на дисплее будет мигать символ “\_”, затем нажмите кнопку с цифрой 1 для отображения латинской буквы А; нажимайте кнопки PREV/NEXT для отображения по очереди всех букв латинского алфавита A-Z (представляющих первую букву имени абонента) и символа “\*” (представляющего первую букву имени, не входящую в латинский алфавит). Затем нажмите кнопку АССЕПТ CALL “☞” для подтверждения; на дисплее отобразится имя абонента, начинающееся с выбранной буквы, если такое имя есть в телефонной книге (если такого имени в книге нет, на дисплее отобразится имя абонента, начинающееся со следующей буквы латинского алфавита). Затем нажмите кнопку АССЕПТ CALL “☞” для отображения телефонного номера абонента, нажмите кнопку

повторно, чтобы выполнить набор этого номера (чтобы вернуться к последнему действию, нажмите кнопку REJECT CALL “”).

Введение и сохранение контакта:

Нажмите кнопку АССЕРТ CALL “”, на дисплее будет мигать символ “\_”, затем нажмите комбинацию #->1->2->3->4->#, по истечении 6 секунд на дисплее отобразится “Input” («ввод»). Затем с помощью кнопок мобильного телефона выполните передачу контактов на устройство; при отображении на дисплее имени контакта нажмите кнопку АССЕРТ CALL “”, чтобы отобразилась надпись “writing”, после чего устройство сохранит контакт в памяти.

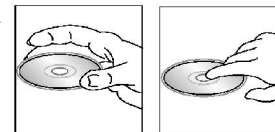
Удаление контактов:

Нажмите кнопку АССЕРТ CALL “”, на дисплее будет мигать символ “\_”, затем нажмите комбинацию #->0->0->0->0-># , чтобы удалить все контакты из памяти устройства.

## Обращение с дисками

---

- Грязные, поцарапанные или погнутые диски могут вызвать искажение звука или шумы
- Держите диск только за края (как показано на рисунке). Чтобы обеспечить чистоту, не прикасайтесь к его поверхности.
- Диски должны храниться в их чехлах после использования, чтобы не поцарапать их поверхность.
- Не подвергайте диски действию прямого солнечного света, повышенной влажности, повышенным температурам или действию пыли.
- Продолжительное влияние предельных температур может изогнуть диск (например, пребывание дисков в автомобиле в летнее время).
- Не царапайте и не пишите что-либо на любой стороне диска. Острые пишущие инструменты или чернила, используемые в них, могут повредить поверхность диска.
- Не оставляйте никаких следов на рабочей стороне диска.
- Не прикрепляйте этикетки или стикеры к любой стороне диска.

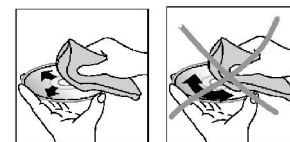


## Чистка и уход

---

### Чистка корпуса

Протирайте мягкой тканью. Если корпус очень загрязнен (не мочите его), используйте мягкую ткань.



### Чистка дисков

Отпечатки пальцев должны быть тщательно стерты с поверхности диска мягкой тканью. В отличие от обычных пластинок, компакт-диски не имеют канавок для сбора пыли и микроскопических частиц грязи, поэтому их можно легко отчистить мягкой тканью. Вытирайте прямолинейным движением от центра к краю. Никогда не используйте растворитель, бензин, очиститель пластинок или антистатический аэрозоль для чистки дисков. Такие химические вещества могут повредить его пластиковой поверхности.



## Руководство по устранению неисправностей

Неисправность	Причина	Решение
Нет питания	Зажигание машины не включено.  Сгорел предохранитель.	Если источник питания подключен надлежащим образом к выключателю машины, установите ключ зажигания в положение “ACC”. Замените предохранитель.
Невозможно загрузить диск	В плеер установлен диск.	Удалите диск из плеера, затем установите новый.
Невозможно считать диск (на дисплее отображается “ERROR2”)	Диск установлен верхней стороной вниз. Диск загрязнен или имеет дефект.  Температура внутри машины очень высокая.	Установите компакт диск стороной с этикеткой вверх. Очистите диск или установите новый. Подождите, пока температура не станет нормальной.
Невозможно считать карту памяти SD/MMC. (на дисплее отображается “ERROR8”)	Металлические детали карты заржавлены, загрязнены или имеют дефекты.	Почистите металлические детали или используйте другую карту памяти.
Невозможно считать USB носитель. (на дисплее отображается “S-STOP”)	Металлические детали носителя заржавлены, загрязнены или имеют дефекты.	Почистите металлические детали или используйте другой носитель.
Нет звука	Звук установлен на минимум.  Кабель не подключен надлежащим образом.	Отрегулируйте звук до необходимого уровня. Проверьте подключение кабеля.

Не действуют кнопки	Встроенный микрокомпьютер не работает надлежащим образом из-за шумов. Передняя панель не установлена на свое место.	Нажмите кнопку RESET.  Повторно установите переднюю панель.
Звук пропадает	Угол установки устройства более 30 градусов. Диск загрязнен или имеет дефект.	Отрегулируйте угол установки, установив его менее 30 градусов. Очистите диск или установите новый.
Радио не работает. Не работает автоматический выбор радиостанции	Антенный кабель не подключен. Сигналы слишком слабы.	Вставьте антенный кабель надежно. Выберите станцию вручную.

## Технические характеристики

Общие	
Источник питания:	12 В
Носители:	DVD/DVD±R/DVD±RW/CD/CD-R/CD-RW/USB/SD/MMC
Поддерживаемые форматы:	DVD/VCD/MPEG4/CDDA/MP3/WMA/HDCD/Picture-CD/Photo CD/JPEG
Потребляемый ток/Предохранитель:	Максимум 15 А
Максимальная выходная мощность:	50 Вт x 4 канала
Размеры (Д x Ш x В):	178 x 175 x 50 мм
Рабочий диапазон температур:	-10°C - +60°C
Сtereo FM радио	
Частотный диапазон:	87.5 - 108.0 МГц
Используемая чувствительность	15 мкВ
Память цифрового тюнера	18 станций
MW (AM) радио	
Частотный диапазон:	522-1620 КГц
Память цифрового тюнера	12 станций
Частотный диапазон:	20 Гц – 20 КГц
Уровень сигнал-шум (A-vtd):	60 дБ
DSP процессор	Classic, Rock, Pop, Flat
Линейный выход	Два линейных RCA-выхода (2В)
Bluetooth	Версия 2

Технические характеристики могут быть изменены заводом-изготовителем без предварительного уведомления. Указанные геометрические размеры имеют приблизительные значения.

