

# HYUNDAI



## H-CMDN6100



**2 DIN DVD/CD/MP3 RECEIVER  
WITH BUILT-IN 7" TFT DISPLAY  
AND TV TUNER**

**2 DIN МУЛЬТИМЕДИЙНЫЙ  
DVD/CD/MP3-РЕСИВЕР  
СО ВСТРОЕННЫМ 7" TFT-  
ДИСПЛЕЕМ И ТВ-ТЮНЕРОМ**

Instruction manual

Руководство по эксплуатации

# Table of contents

## Dear customer!

Thank you for purchasing our product. For safety, it is strongly recommended to read this manual carefully before connecting, operating and/or adjusting the product and keep the manual for reference in the future.

<b>Table of contents</b> .....	2	Audio adjust .....	13
<b>Before you start</b> .....	4	Source adjust .....	13
Utilization of the product .....	4	System adjust .....	13
Important safeguards .....	4	Radio operations .....	14
<b>Installation/Connection</b> .....	5	User interface of Radio mode .....	14
Installation .....	5	Band selection .....	14
General notes .....	5	Manual/automatic tuning .....	14
Method I: DIN-front mounting .....	5	Local/distant selector .....	14
Method II: using the screw files .....	6	Selecting stored station .....	14
Detach the unit .....	6	Mono/Stereo selector.....	15
Connection .....	7	Scanning/memorizing stations automati-	
Connection diagram .....	7	cally .....	15
Using the ISO Connector .....	7	On-screen display .....	15
ISO connection table .....	8	Goto FREQ .....	15
Parking wire connection .....	9	RDS background .....	15
Reverse driving cable connection .....	9	RDS touchable user interface .....	15
Lamp in wire .....	9	AF (Alternative frequencies) function ....	15
<b>Operation</b> .....	10	TA (Traffic alarm) function .....	16
Control elements .....	10	Program type .....	16
Front panel .....	10	TV tuner operations .....	16
Inner panel .....	10	TV touch screen menu .....	16
Remote controller .....	11	TV channel selection .....	16
Changing the battery .....	11	Frequency searching .....	16
General operations .....	12	Seek channels automatically .....	16
Touch screen .....	12	AUX operations .....	17
Reset the unit .....	12	Disc/USB/SD/MMC operations .....	17
Turning the unit on/off .....	12	Insert/eject disc .....	17
Open the monitor .....	12	Touch screen operations with DVD/VCD/	
Angle setting .....	12	MP4 discs .....	17
Night mode .....	12	Touch screen operations with CD/MP3/	
Volume control .....	12	USB/SD .....	17
Setting the sound characteristics .....	12	Insert/eject USB/Memory card .....	18
Mute function .....	12	Selecting tracks .....	18
Equalizer setting .....	12	Pause/Stop the playback .....	18
Loudness .....	12	Fast rewind/forward .....	18
Mode selection .....	12	Repeat playing .....	18
Clear .....	13	Random playback .....	18
System setup .....	13	System switch .....	18
Video adjust .....	13	Slow playback .....	18

# Table of contents

Picture zooming .....	19
On-screen display .....	19
Playback setting .....	19
Viewing angle .....	19
Audio language .....	19
Subtitle language .....	19
Playback programming .....	19
ID3 Tag function .....	19
MENU function (for DVD) .....	19
DVD setup .....	19
General setup page .....	20
Dolby digital setup .....	20
Preference setup .....	21
Exit .....	21
<b>General information</b> .....	22
Handling compact discs .....	22
Cleaning discs .....	22
Cleaning the unit body .....	22
Accessories .....	22
Troubleshooting guide .....	23
Specification .....	24

# Before you start

## Utilization of the product

If you want to dispose this product, do not mix it with general household waste. There is a separate collection system for used electronic products in accordance with legislation that requires proper treatment, recovery and recycling.

Please contact your local authorities for the correct method of disposal. By doing so, you will ensure that your disposed product undergoes the necessary treatment, recovery and recycling and thus prevent potential negative effects on the environment and human health.

## Important safeguards

- Read carefully through the manual to familiarize yourself with this unit.
- Keep this manual handy as a reference for operating procedures and precautions. Do not allow persons who have not read through this manual to use this unit.

- “CLASS 1 LASER PRODUCT”

This product contains a laser diode of higher class than 1. Laser beams from the optical pickup are dangerous to the eyes. To ensure continued safety, do not remove any covers or attempt to gain access to the inside of the product. Refer all servicing to qualified personnel.

- Do not allow this unit to come into contact with liquids. Electrical shock could result. Also, damage to this unit, smoke, and overheating could result from contact with liquids or dust. Protect this unit from moisture.

- Make sure that foreign objects do not get inside the unit; they may cause malfunctions, or create safety hazards such as electrical shock or laser beam exposure.

- The beginning of operation is the moment of the unit installation. Before use the device in winter it is recommended to heat up the passenger compartment during 20 seconds or to the operation temperature.

- Using the unit with the temperature that goes beyond the operation temperature greatly decreases the operation resource of the screen

and other components of the unit and can result in an outage.

- Disconnect the vehicle's negative battery terminal while mounting and connecting the unit.

- The unit is designed for negative terminal of the battery, which is connected to the vehicle metal. Please ensure it before installation.

- When replacing the fuse, be sure to use one with an identical amperage rating. Using a fuse with a higher amperage rating may cause serious damage to the unit.

- Do not allow the speaker wires to be shorted together when the unit is switched on. Otherwise it may overload or burn out the power amplifier.

- Make sure you disconnect the power supply and aerial if you will not be using the system for a long period or during a thunderstorm.

- Make sure you disconnect the power supply if the system appears to be working incorrectly, is making an unusual sound, has a strange smell, has smoke emitting from it or liquids have got inside it. Let a qualified technician check the system.

- Always keep the volume low enough so that you can hear sounds from outside the vehicle.

- Should this product fail to operate properly, contact your dealer or nearest service center.

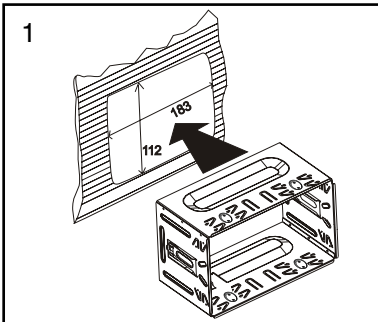
## Installation

### General notes

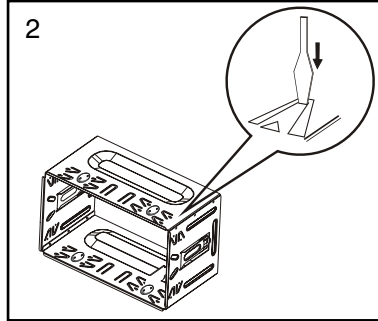
- Choose the mounting location where the unit will not interfere with the normal driving function of the driver.
- Before finally installing the unit, connect the wiring and make sure that the unit works properly.
- Consult with your nearest dealer if installation requires the drilling of holes or other modifications of the vehicle.
- Install the unit where it does not get in the driver's way and cannot injure the passenger if there is a sudden stop, like an emergency stop.
- If installation angle exceeds 35° from horizontal, the unit may not perform properly.
- Avoid installing the unit where it would be subject to high temperature, such as from direct sunlight, or from hot air, from the heater, or where it would be subject to dust, dirt or excessive vibration.

### Installation method 1: DIN-front mounting

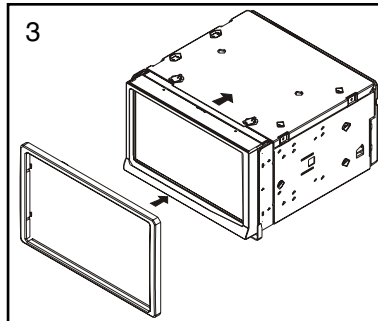
1. Insert the mounting sleeve into the dashboard.



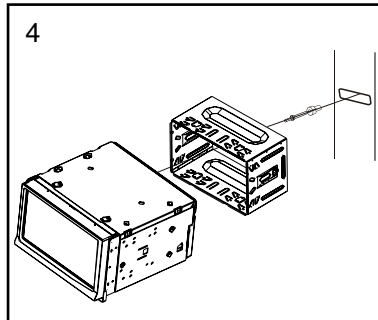
2. Bend these claws outward for a tight fit, if necessary.



3. Push in the unit and install the outer trim ring on it.



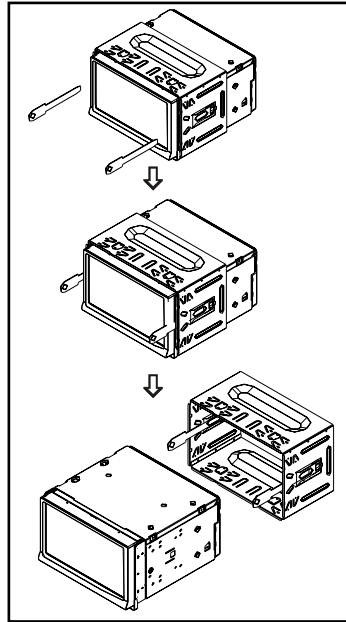
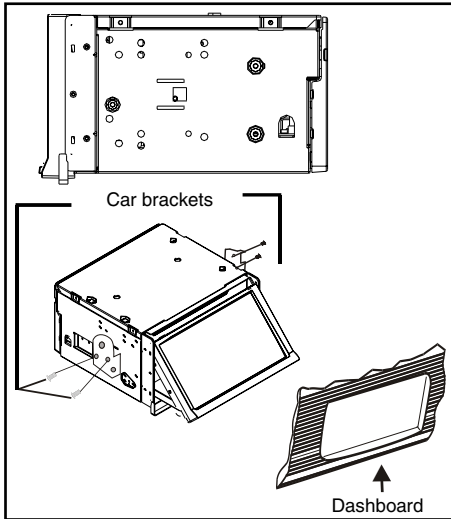
4. To support the unit, fix the rear of the unit using the rear mounting bolt.



## Installation/Connection

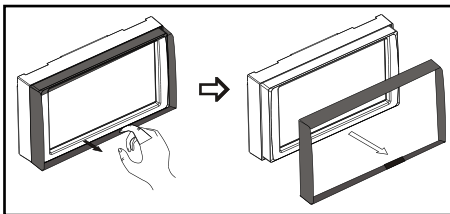
### Installation method 2: Installation using the screw holes at the sides of the unit.

Select a position where the screw holes of the mounting bracket supplied with the car and the screw holes of the main unit become aligned (are fitted), and tighten the screws (see at 2 places on each side). And then fasten them to the car.



### Detach the unit

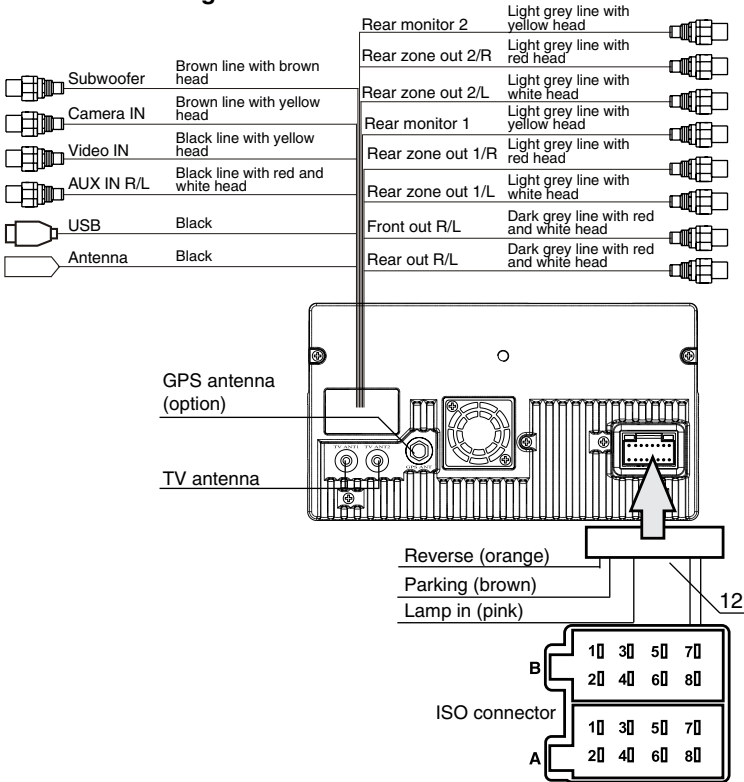
1. Take out the outer trim ring.



2. Insert the keys supplied to the unit at both sides of the unit (as illustrated) until they click. Pulling the keys makes it possible to remove the unit from the dashboard.

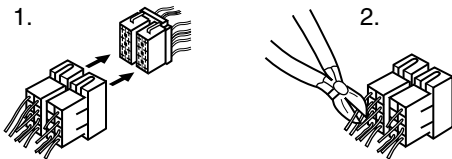
## Connection

### Connection diagram



### Using the ISO Connector

1. If your car is equipped with the ISO connector, then connect the ISO connectors as illustrated.




2. For connections without the ISO connectors, check the wiring in the vehicle carefully before connecting, incorrect connection may cause serious damage to this unit.

Cut the connector, connect the colored leads of the power cord to the car battery as shown in the colour code table below for speaker and power cable connections.

# Installation/Connection

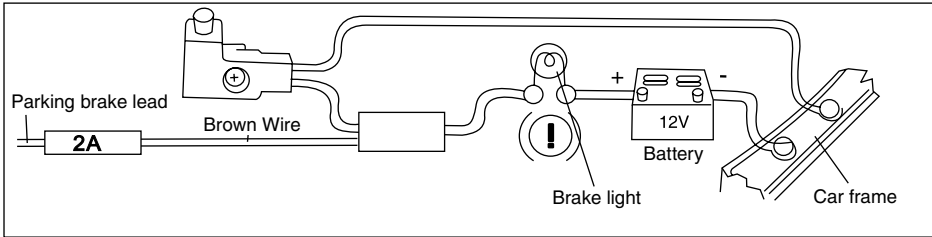
## ISO connection table

Location	Function	
	Connector A	Connector B
1	-	Rear right (+) - Purple
2	-	Rear right (-) - Purple/Black
3	-	Front right (+) - Grey
4	Battery +12V/Yellow	Front right (-) - Grey/Black
5	Antenna/Amplifier control - Blue	Front left (+) - White
6	-	Front left (-) - White/Black
7	Ignition/Red	Rear left (+) - Green
8	Ground/Black	Rear left (-) - Green/Black

 Power antenna wire is intended for power supply of the antenna and for remote control of an additional amplifier.

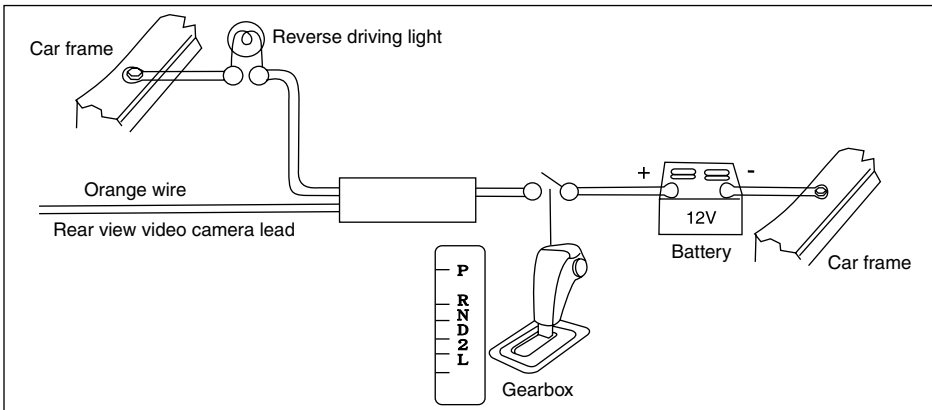


## Parking wire connection



If Parking cable is connected to hand brake switch, the video display of the TFT monitor will be controlled by driving status, system setup and input video sources. When the car is moving ahead, if the video disc is played, the screen shows “WARNING!! You cannot use this function while driving”, and blank screen. The above warning screen will prevent the driver from watching images.

## Reverse driving cable connection



If the rear view video camera is connected, the unit automatically switches to CAMERA source during reverse driving. The unit returns to the original work mode after the reverse driving is done.

## Lamp in wire

The lamp in wire is intended for performing adjustable and non-adjustable brightness of button backlight of the unit front panel.

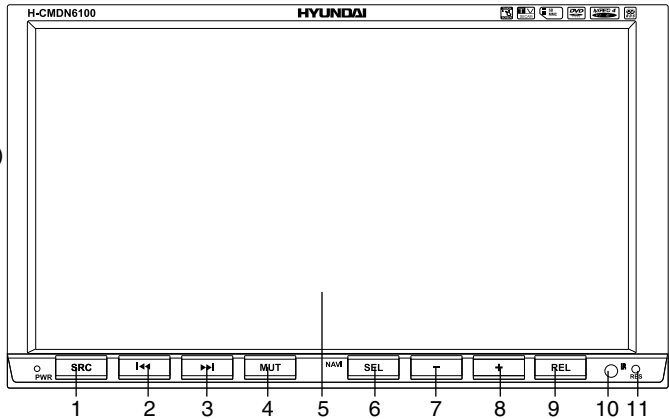
- **Adjustable:** the wire should be connected to the regulator of brightness of the car dashboard. Front panel backlight is possible only when the car dashboard lighting is switched on.
- **Non-adjustable:** connected together with the yellow wire (battery +12 V); the front panel backlight is active always when the front panel is attached to the unit.

# Operation

## Control elements

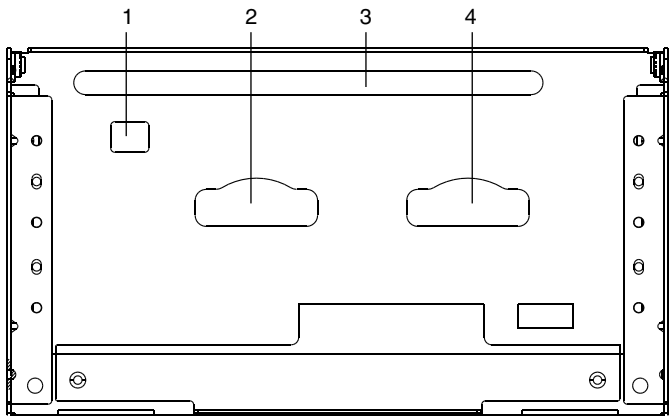
### Front panel

1. SRC button
2. ⏪ button
3. ⏩ button
4. MUT button
5. TFT display
6. NAVI/SEL button (option)
7. VOL- button
8. VOL+ button
9. REL button
10. IR sensor
11. RES button (hole)

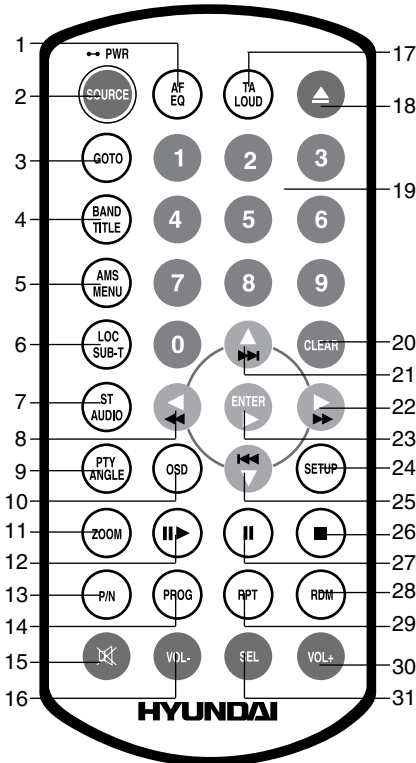


### Inner panel

1. Eject button
2. Memory card slot
3. Disc loading slot
4. Navigation card slot (option)



## Remote controller (RC)



1. AF/EQ button
2. SOURCE button
3. GOTO button
4. BAND/TITLE button
5. AMS/MENU button
6. LOC/SUB-T button
7. ST/AUDIO button
8. ◀/LEFT cursor button
9. PTY/ANGLE button
10. OSD button
11. ZOOM button
12. ⏪ button
13. P/N button
14. PROG button

15. 🔇 button
16. VOL- button
17. TA/LOUD button
18. ▲ button
19. Number buttons
20. CLEAR button
21. ▶▶/UP cursor button
22. ▶▶/RIGHT cursor button
23. ENTER button
24. SETUP button
25. ◀◀/DOWN cursor button
26. ■ button
27. ⏸ button
28. RDM button
29. RPT button
30. VOL+ button
31. SEL button

### Changing the battery

1. Press the catch and at the same time pull out the battery tray.

2. Insert the 1 lithium battery, type CR2025 (3 V) battery with the stamped (+) mark facing upward. Insert the battery tray into the remote controller.

- Store the battery where children cannot reach. If a child accidentally swallows the battery, consult a doctor immediately.
  - Do not recharge, short, disassemble or heat the battery or dispose it in a fire.
  - Do not expose or bring into contact the battery with other metallic materials. Doing this may cause the battery to give off heat, crack or start a fire.
  - When throwing away or saving the battery, wrap it in tape and insulate; otherwise, the battery may give off heat, crack or start a fire.
  - Please direct the Remote controller to the IR sensor of the front panel.

# Operation


## General operations

### Touch screen

Due to the touch screen, you can fulfill most functions not only by pressing buttons but also by touching the options you need.

### Reset the unit

Operating the unit for the first time or after replacing the car battery, you must reset the unit. Press RES button on the unit with a pointed object (such as a ballpoint pen) to set the unit to initial state.

 When some errors occur on the display, you can also press RES button to resume to normal, and it will erase the clock setting and some memorized functions.

### Turning the unit on/off


Press PWR/SOURCE button on the RC or PWR/SRC button on the panel to turn on the unit. Press and hold the button more than 2 seconds to turn off the unit.

### Open the monitor

Press REL button on the unit or ▲ button on the RC to slant the monitor. Press the button again, the monitor returns to the previous state.

### Angle setting

You can adjust the desired angle of the monitor. Press and hold REL button till ANGLE appears on the display. Press VOL+ button on the panel to adjust monitor backward by definite angle; press VOL- button on the panel to adjust the monitor forward.

 Please do not adjust the monitor tilt manually, otherwise it can get damaged.

### Night mode

Press and hold MUT button on the panel to enter the night mode of the display; press it again to switch to the normal mode.

### Volume control

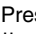
Press VOL+/VOL- buttons on the RC or on

the unit to increase/decrease the sound level.

### Setting the sound characteristics

Repeatedly press SEL button on the RC or NAVI/SEL button on the unit to select the desired parameter in the following order: VOL => BALAN => FADE => BASS => TREBL => SUBWF. After selecting the desired parameter, you can adjust its current level by pressing VOL+/- buttons on the RC or on the unit.

### Mute function

Press  button on the RC or MUT button on the unit to turn off the sound. The corresponding icon appears on the TFT. Press the button again or adjust volume to resume the sound output.

### Equalizer setting


While listening to music of any kind, you can select the corresponding preset modes to adjust the sound quality perfectly by using AF/EQ button on the RC. Press and hold the button repeatedly to choose the following modes in turn: POP => CLAS => ROCK => OFF. The default setting is OFF.

### Loudness

Press and hold TA/LOUD button on the RC to activate loudness function. This is to increase the low frequency, which can improve sensitivity for your ears. Keep pressing it again to quit this function.

### Mode selection

Repeatedly press PWR/SOURCE button on the RC or PWR/SRC button on the unit to select a mode: Radio => DVD => SD Card => TV => AUX => USB. Or in any mode touch SRC item on the screen to display the Main menu. In the menu, touch the item of the mode you need to select the corresponding mode.

 The DVD, SD Card and USB modes are only available when corresponding storages are inserted into the unit. If a mode in the menu is in cyan font, this mode is not supported by

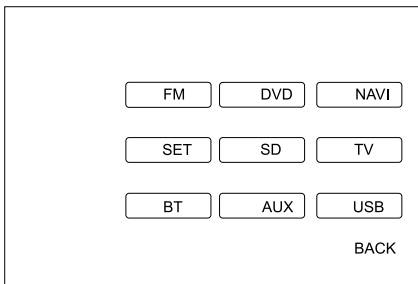
the unit. NAVI mode is optional and it can also be selected by pressing and holding NAVI/SEL button on the front panel (available only after you insert a navigation memory card into the corresponding slot on the inner panel).

## Clear

After inputting false data, press CLEAR button to clear it.

## System setup

When the unit is on, the Main menu will be displayed.



Press SETUP button on the RC or touch SET item on the monitor to enter the System setup menu. System setup menu includes VIDEO, AUDIO, SOURCE and SYSTEM items. Touch them on the monitor to set the desired status.

## Video adjust

In this menu you can adjust Contrast, Color, Tint, Bright, Picture (sharpness). Touch the corresponding item, then touch ◀ and ▶ buttons on the screen to adjust the selected parameter. After adjustment is performed, leave the unit idle for several seconds. To save the adjustment, touch SAVE item. To reset the adjustment, touch RESET item. To exit from the menu touch EXIT item.

## Audio adjust

In this menu you can adjust VOLUME,

BALANCE, FAD (fader), SUBWOOF (subwoofer), BASS, TREBLE. Touch the corresponding item, then touch ◀ and ▶ buttons on the screen to adjust the selected parameter. After adjustment is performed, leave the unit idle for several seconds. To exit from the menu touch EXIT item.

## Source adjust

In this menu you can set AUX, TV, BT, SD, NAVI (option) or USB to ON or OFF. Touch the corresponding item to set. If a mode was set OFF, that function is not available. BT mode is not functional in this unit.

## System adjust

In this menu you can adjust a number of general system operation parameters. Touch an item on the screen to get the option menu, and then select the needed option by touching it on the screen. Touch arrow buttons at the right side of the screen to display the next or previous menu page.

- **Clock System:** Set 12-hour or 24-hour clock display mode.
- **Key Beep:** Select ON or OFF, the default setting is ON. It means when you press the buttons, they are sounded.
- **Monitor Flex:** not adjustable.
- **Rever Pola (Reverse Polarity):** The signal is +12V when you back a car, please touch BATTERY on the monitor; if the signal is 0 V, please touch GROUND.
- **Lamp Sel:** In this menu you can adjust backlight of front panel buttons, press it and select ON or OFF, the default setting is ON.
  - **AMS Fullup:** In this menu you can set the modes of AMS. When the setup is ON, the presettable stations are full, new one's are not allowed. When you select OFF, it will search continually.
  - **Local Area:** You can select EUROPE, USA or OIRT, to search the stations quickly in your current area.
  - **Local:** In this menu you can search local stations. When selected ON, the strong signal local stations can be received; when selected

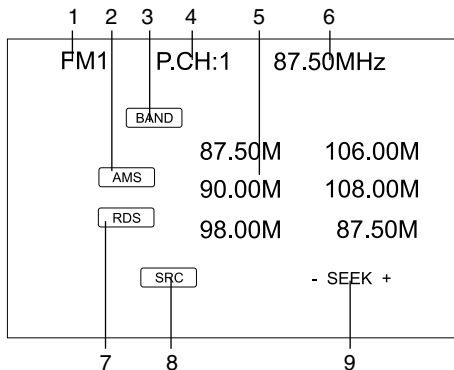
# Operation

OFF, weak signal out-of-town stations may be received.

- **Goto Frequency:** Selecting ON, you can use GOTO button on the RC to select a station's frequency directly in radio mode.
- **RT Scroll:** You can select SLOW, NORMAL or FAST RDS scroll speed.
- **TA Volume:** You can select LOW, NORMAL or HIGH TA volume.
- **Region:** To set the AF searching region, the default setting is ON. You can also set it to OFF.
- **Adj Screen:** After you touch this item, a green cross appears in the top left corner of the display and a tip: "Please press the button". Press the cross at place 1, then it will move to another corner, press it again. Now it will move to the third position, press it, then the last position. After you pressed the green cross four times, "Adjust successful" will appear. This procedure is useful when some malfunction occur with the touch screen, and it needs adjustment.
- **Clock Adj:** This option is to adjust the time. Use touchable LEFT/RIGHT arrows to select hours, minutes or seconds. Use touchable UP/DOWN arrows to set the selected item.

## Radio operation

### User interface of Radio mode



When the unit is switched to Radio mode, the above touchable user interface will be displayed on the display.

1. Band indicator. Shows which band the radio is tuned to.
2. AMS button. Briefly touch to scan the current station. Touch and hold to tune automatically.
3. BAND button. To select bands.
4. Preset number indicator. Shows what preset is selected.
5. Frequency indicator. Shows which frequency the tuner is tuned to.
6. The 6 stations of the current band. Briefly touch to select the station. Touch and hold to save the new frequency to this preset.
7. RDS button. Touch to access RDS menu.
8. SRC. Touch to go to Main menu.
9. SEEK+/- buttons. Briefly touch to change the frequency step by step. Touch and hold to tune automatically.

### Band selection

Press BAND/TITLE button on the RC to switch to the bands in the following order: FM1 - FM2 - FM3 - FM4 - AM1 - AM2.

### Manual/automatic tuning

- **Manual tuning:** Press ◀▶ buttons on the RC repeatedly to change the frequency upward or downward step by step.
- **Automatic tuning:** Press and hold ◀▶ buttons on the RC to start automatic seeking for an available radio station downward or upward. After being found the station will be played.

### Local/distant selector

In radio mode, press LOC/SUB-T button on the RC to select strong or weak station reception. LOC appears on the display and only local stations are available. When you turn it off both distance and local stations can be received.




The function is invalid in AM bands.

### Selecting stored station

In radio mode, press ◀▶ buttons to select the stored station upward/downward.

## Mono/Stereo selector

In radio mode, you can press ST/AUDIO button on the RC to select mono or stereo mode. Stereo reception is on when MONO disappears on the display. It is switched to mono mode when MONO appears. When the received stereo signal is weak, switch to mono mode to improve the signal.

 The function is available only in FM bands.


## Scanning/memorizing stations automatically

In radio mode, you can press AMS/MENU button on the RC or AMS button on the monitor to scan for several seconds each station stored under number buttons (1 – 6).

You can press the corresponding number buttons, AMS/MENU button on the RC or AMS button on the monitor when your desired station is on. And it starts playing that station.

Press and hold AMS/MENU button on the RC or AMS button on the monitor; it will activate automatic storing function. The tuner automatically selects a station and stores it under number buttons (1 – 6).

To store a station press and hold number button for more than 2 seconds when listening.


 The unit can be stored up to 6 stations for each subband.

## On-screen display

In radio mode, press and hold OSD button on the RC to display the version and current clock.

## Goto FREQ

Press GOTO button, and the monitor shows FREQ. Then press number buttons to input the needed frequency. The unit will go to the input frequency.

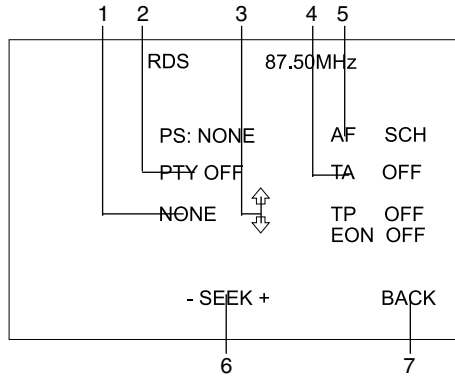
 this function is only available when GOTO FREQ is set to ON in System adjustment menu.

## RDS background

RDS service availability varies with areas. Please understand if RDS service is not

available in you area, the following service is not available.


## RDS touchable user interface



1. During PTY ON, touch this button to search the station with the selected program type.
2. PTY. Touch it to set PTY function ON or OFF.
3. UP/DOWN arrows. Touch it to select program type.
4. TA button. Touch it to set TA function ON/OFF.
5. AF button. Touch it to set AF function ON/OFF.
6. SEEK+/- buttons. Touch to tune automatically.
7. BACK button: Touch to go to Radio interface.

## AF (Alternative frequencies) function

Briefly press AF/EQ button on the RC to enable AF function. When the radio signal strength is poor, enabling the AF function will allow the unit to automatically search another station with the same PI (Program Identification) as the current station but with stronger signal strength.

 AF indicator on the display will flash until RDS information is received. If RDS service is not available in your area, turn off the AF mode.

# Operation

## TA (Traffic alarm) function

Briefly press TA/LOUD button to activate the traffic alarm function. When AF is on, the TA displays on TFT, or else, if there is no TP information, the mode will search TP station automatically.

The TA is green when it is played by a station, if not, it is yellow. When TA is playing, the volume will be adjusted to a TA level automatically. When other modes are activated (such as DVD, AUX), if a TA program is played the mode will skip to the RDS mode automatically. It will resume to the primary mode after the TA is over.

## Program type

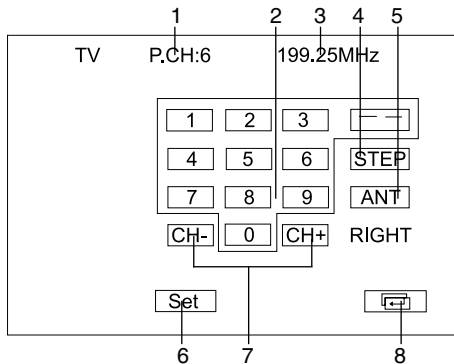
Briefly press PTY/ANGLE button on the RC to activate PTY function.


When PTY is on, PTY ON appears on the monitor, you can press UP/DOWN cursor buttons to select a program type to search the special program. And the monitor displays PTY SEARCH. If PTY is off, PTY OFF appears on the monitor, the searching is stopped.

## TV tuner operation

### TV touch screen menu

When you select TV mode, following touchable User Interface will be displayed:



1. Preset station number.
2. Digit buttons. To select a channel numbered 1 to 9, touch the number on the monitor to select. Press -- at first, then press the corresponding number button to select a channel number more than 10.
3. Current TV frequency.
4. STEP button. Touch to adjust clearer image.
5. ANT button. Touch it to select the left or right antenna.
6. SET button. Touch for the following menu:  
SOUND. Select sound system M/N, B/G, D/K.  
BAND. Select TV band V-I, V-H, UHF.  
MODE. Select color system: SECAM/NTSC/PAL.  
MANU+/MANU-: touch to change frequency upward/downward step by step.  
AUTO: Touch for automatic search of a channel.
7. CH-/CH+ buttons. Touch to select previous or next station.
8. Touch to go back to Main menu
-  To hide the User Interface, touch the screen in any place free of touchable buttons. To recall the User Interface, touch the screen again.

## TV channel selection

Press ◀▶ buttons to select the TV stations. Press 1-9 number buttons to select stations directly; press GOTO button to select more than 1-10 stations, then press corresponding numbers.

## Frequency searching

Press ◀▶ buttons on the RC to select the frequency upwards and downwards step by step. Press and hold the button for automatic search of channels.

## Seek channels automatically

Press AMS/MENU button on the RC to seek stations automatically.



## AUX operation

When AUX mode is selected, following User Interface will be displayed:



Touch AV SET item to go to AUX setup menu. In this menu you can adjust following parameters:

1. AUDIO ADJUST
2. VIDEO ADJUST
3. SYSTEM ADJUST: (Auto 1 – PAL, NTSC, SECAM; Auto 2 – P-M, P-N).

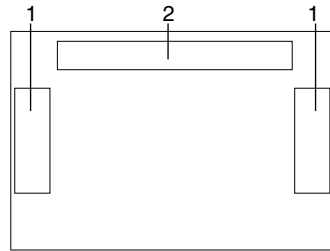
## Disc/USB/SD/MMC card operations

### Insert/eject disc

- Press REL button on the panel or ▲ button on the RC to open the front panel. Insert a disc into the slot. The unit will automatically switch into DVD mode. After loading, its playback will start automatically.
- Open the front panel and press EJECT button to eject the disc.

### Touch screen operations with DVD/VCD/MP4 discs

While playing a DVD/VCD/MP4-disc, the touch screen has following areas enabling to perform various playback operations:



1. PREVIOUS area (left part)/NEXT area (right part) – touch to skip to the previous or next chapter.

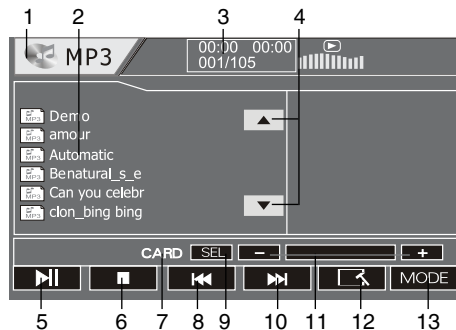
2. Track area – touch to call digit keyboard. Touch digit buttons to input the number of a track to be played.

Besides, if while playing you touch the bottom part of the screen, playback control panel will be displayed, including following buttons:

	Play/pause
	Stop
	Decrease volume
	Increase volume
	DVD setup menu
	Mode selection


### Touch screen operations with CD/MP3/USB/SD

While playing a file contained on a CD/MP3/USB/SD, the touch screen has following areas and buttons enabling to perform various playback operations:



# Operation


1. Disc/File type indicator (not operable)
2. File list. Touch the needed file to start its playback
3. Track area – touch to call digit keyboard. Touch digit buttons to input the number of a track to be played
4. List scroll buttons
5. PLAY/PAUSE button
6. STOP button
7. CARD/USB indicator (not operable)
8. PREVIOUS button
9. SEL button. Touch repeatedly to select a sound parameter to be adjusted
10. NEXT button
11. +/- buttons. Touch to decrease/increase volume
12. Touch to go to DVD setup menu
13. Mode selection

 Manufacturer guarantees regular playback of licensed discs only. Some AVI files cannot be played due to their parameters and recording conditions. Video files more than 2 Gb having AVI extension can be played partially.

## Insert/eject USB/Memory card

Connect a USB drive to the USB connector of this unit. It will automatically switch to USB mode and start to read the contents of the USB. To eject the USB drive from this unit, switch to another mode and disconnect the USB from the USB wire connector.

To connect a memory card to this unit, open the front panel and insert the memory card into the slot. Close the front panel. The unit will automatically switch to SD mode and start to read the contents of the memory card. To eject the memory card, switch the unit to another mode, then open the front panel and push the card until it pops out.

 USB capacity supported: up to 4 Gb. For correct and satisfactory operation, licensed SD/MMC memory cards of famous brands should be used with this unit. Avoid using memory cards of unknown brands. Capacity: up to 4 Gb.

## Selecting tracks

For DVD/MP3: Press ◀▶ buttons to skip to the previous or next chapter.

For VCD/CD: Press ◀ button to skip to the beginning of the current chapter. Press and hold ◀ button to skip to the previous chapter. Press ▶ button to skip to the next chapter.

## Pause/Stop the playback

Press II button on the RC to switch between play and pause.

Press ■ button on the RC to stop playback. If you press II button or ENTER button, playback will be resume from the same place (not available for CD/MP3). Press ■ button twice to stop playback completely. Stop point will not be memorized, and playback can be resumed only from the beginning.

## Fast rewind/fast forward

Press ◀▶ buttons on the RC to perform fast rewind or fast forward. With each press playback speed will increase as follows: 2X => 4X => 8X => 16X => Normal.

## Repeat playing

Press repeatedly RPT button on the RC to perform repeat playback as follows:

For DVD: Chapter repeat => Title repeat => Repeat Off.

For VCD/MP4/CD/MP3: Track repeat => Repeat Off.

## Random playback

During playback, press RDM button to enable random playback of chapters/tracks. Press the button again to return to normal playback.

## System switch

During playback, press repeatedly P/N button on the RC to set the TV system to PAL or NTSC or AUTO.

## Slow playback

Press repeatedly II▶ button on the RC for slow forward or backward playback in the

following order:

For DVD: 1/2 forward => 1/4 forward => 1/8 forward => 1/2 backward => 1/4 backward => 1/8 backward => Normal.

For VCD: 1/2 forward => 1/4 forward => 1/8 forward => Normal.

## Picture zooming

Press ZOOM button on the RC repeatedly to increase the picture scale in the following order: 2X => 3X => 4X => Normal.

## On-screen display

Press repeatedly OSD button on the RC to display various information on the current playback (including elapsed/remaining time of title/chapter/track) depending on the type of the disc being used.

## Playback setting

For DVD: Press GOTO button to access the menu of various playback parameters (title/chapter/audio/ subtitle/angle/title time/chapter time/repeat/time display) depending on the type of the disc being used. Press UP/DOWN cursor buttons to select a parameter press ENTER button to set the status. Then press number buttons or LEFT/RIGHT cursor buttons to set the current status. Press GOTO button to exit.

For VCD/CD: Press GOTO button to display "Disc Go To:--:--". Use number buttons to input disc time for the playback to start from. Press GOTO button again to display "Track Go to:--:--". Use number buttons to input track time for the playback to start from.

For MP3: Press GOTO button to display "--". Use number buttons to input track number to be played. Press GOTO button again to display "--:--". Use number buttons to input track time for the playback to start from.

## Viewing angle

Press PTY/ANGLE button repeatedly to switch among viewing angles during playback. This function is only available for DVD-discs recorded with various view angles.

## Audio language

Press ST/AUDIO button repeatedly to switch between available audio languages (for DVD) or audio channels (for VCD) during playback.

## Subtitle language

Press repeatedly LOC/SUB-T button during playback to switch between subtitle languages. This function is only valid with DVDs featuring multi-subtitle recordings.

## Playback programming

Press PROG button to display the program menu. Then press number buttons to input numbers of tracks/chapter (depending on the disc type) in the order you need. To select next menu page move the cursor to ►► and press ENTER button. To select previous menu page move the cursor to ◀◀ and press ENTER button. Move the cursor to START and press ENTER button to start program playback. Move the cursor to EXIT and press ENTER button to quit the program menu.

## ID3 Tag function

If a MP3 file has ID3 tag information in the supported ID3 format, such information will be displayed on the LCD while playback.

## MENU function (for DVD)

1. Press AMS/MENU button to enter the root menu, all of the chapters will appear on the TFT. You can press ENTER button or number buttons to select your desired chapter.

2. Press BAND/TITLE button to enter the title menu, all of the titles will appear on the TFT. You can press ENTER button or number buttons to select your desired title.

## DVD setup

1. Press SETUP button on the RC to enter the setup menu.

2. Use LEFT/RIGHT cursor buttons to choose the setup page: General page, Dolby

# Operation

Digital setup, Preference page, Exit.

3. Press DOWN cursor button to enter the setup page selected.

4. Use LEFT/RIGHT cursor buttons to select the option you want to adjust.

5. Press RIGHT cursor button to enter the adjustment list. Use UP/DOWN cursor buttons to select the adjustment and press ENTER button to confirm.

6. To return to setup page list press LEFT cursor button in the options list.

7. Press SETUP button again to quit the setup page.

## General setup page

GENERAL SETUP PAGE
TV DISPLAY ANGLE MARK OSD LANG CAPTIONS SCREEN SAVER

- TV DISPLAY

**Normal/PS:** When the unit connects to the normal TV set, the wide-screen image shows on the full screen, but some part is cut off (4:3).

**Normal/LB:** When the unit connects to the normal TV set, the wide-screen image shows and black bars appear on the top and bottom of screen (4:3).

**Wide:** Use this item when the unit is connected with the wide screen (16:9) TV set.

- ANGLE MARK

It will show the angle mark when playing DVD disc with multi-angle view if selecting On.

- OSD LANG

Select on-screen display language.

- CAPTIONS

This function doesn't work when the disc without caption. The default setup is On.

- SCREEN SAVER

If the Screen saver is set On and the unit is switched on without a disc playing for 3 minutes, a moving picture appears on the TFT.

## Dolby digital setup

DOLBY DIGITAL SETUP
DUAL MONO DYNAMIC

- DUAL MONO

Choose the mode of the audio output:

**Stereo:** choose this setting, when 5.1-channel sound playing, two channels of signals will be output from the left and right soundtrack; when 2-channel sound playing, stereo signal will be output.

**L. Mono:** the signal will be output from the left speaker.

**R. Mono:** the signal will be output from the right speaker.

**Mix-mono:** the signal from one channel will be output from left and right speakers.

- DYNAMIC

If adjusting to FULL, the audio signal peak value will be the minimum. While adjusting to OFF - maximum.

Use UP/DOWN cursor buttons to move the scroll and adjust the dynamic range.

## Preference setup

PREFERENCE PAGE
<ul style="list-style-type: none"> <li>TV TYPE</li> <li>AUDIO</li> <li>SUBTITLE</li> <li>DISC MENU</li> <li>PARENTAL</li> <li>PASSWORD</li> <li>DEFAULT</li> </ul>

- TV TYPE

This unit is suitable for all kinds of TV systems. You can select one of the PAL, NTSC or AUTO.

**Auto:** the TV system is auto switched according to the broadcasting system.

**NTSC:** this system is used in USA, Taiwan, Japan etc.

**PAL:** this system is used in China, Europe, Hong Kong etc.

- AUDIO, SUBTITLE, DISC MENU

Set the desired languages for all the settings. If a setting is supported by disc content, it will work. Otherwise the disc default value works. You also can press the ST/AUDIO button on the RC to select the audio language. Press the LOC/SUB-T button on the RC to select the subtitle language.

- PARENTAL


The control level is for parental to control playing content and protect your children from violence and erotic. The disc, the level of which is higher than the setting level can not be played.

Set the control level:

(1) with the least limits when playing.

(8) with the most limits when playing.

Original setting: OFF.

 The rating can be selected only under the Password unlocked status, and the limits can be worked only under the password locked status.

- PASSWORD

OLD PASSWORD	<input type="text"/>
NEW PASSWORD	<input type="text"/>
CONFIRM PXD	<input type="text"/>
<input type="button" value="OK"/>	

The password option is initialized as locked, and you cannot set the ratings limit or change the password. In order to make the Parental feature works, the password mode must be turned on. If you want to set the ratings limit, you will need to enter the default password, which is 8888, then press ENTER to confirm. To change the password, enter the Password change submenu. Use the cursor buttons to select the desired field. In the Old password field insert the old password or 8888 (if you forget the old one). If you change the password, the default password 8888 will be void.

In New password field insert the new password.

Insert it again in Confirm password field.

Press ENTER to save the new password.

- DEFAULT

Reset to the initial factory setups.

### Exit

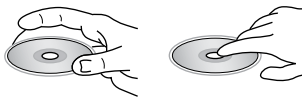
Select the Exit page to exit the Setup menu.

# General information

## Handling compact discs

### Handling compact discs

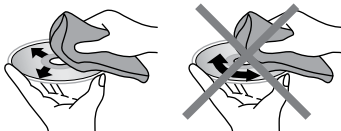
- Do not insert anything other than a CD into the CD loading slot.
  - Do not use cracked, chipped, warped, or otherwise damaged discs as they may cause skipping or noise damage the player.
  - Handle the disc only by the edges (as shown in the picture). To keep discs clean do not touch its surface.
    - Store discs in their cases when not in use.
    - Do not expose discs to direct sunlight, high humidity, high temperature or dust.
    - Prolonged exposure to extreme temperature (such as leaving the discs in your car during summertime) can warp a disc.
    - Do not attach labels, write on or apply chemicals to the surface of the discs.
    - Do not touch the recorded surface of the discs.
    - Use 12-cm CDs. Use only conventional, fully circular discs. Do not use shaped discs.



### Cleaning discs

Fingerprints should be carefully wiped from the surface of disc with a soft cloth. Unlike conventional records, compact discs have no grooves to collect dust and macroscopic dirt, so gently wiping them with a soft cloth should remove most particles. Wipe in a straight motion from the center to the edge.

Never use thinner benzene, record cleaner or anti static spray on a compact disc. Such chemicals can damage its plastic surface.



## Cleaning the unit body

Wipe with a soft cloth. If the cabinet is very dampen (not dropping wet) the cloth with a weak solution of soapy water, and then wipe clean.

## Accessories

1. Receiver ..... 1 pc
2. Remote controller ..... 1 pc
3. ISO connector ..... 1 pc
4. USB extension cable (option) ..... 1 pc
5. Mounting parts:
  - Mounting sleeve ..... 1 pc
  - Outer trim ring ..... 1 pc
  - Release keys ..... 2 pcs
  - Steel bar ..... 1 pc
  - Screw M5x5 ..... 4 pcs
  - Screw M5x20 ..... 5 pcs
  - Rear mounting bolt ..... 1 pc
  - Rubber cushion ..... 1 pc
6. Consumer information ..... 1 pc
7. Warranty card ..... 1 pc
8. Instruction manual ..... 1 pc

## Troubleshooting

Below is a table describing simple measures that can help you eliminate most problems likely to emerge when this unit is in use. If below measures do not help, turn to a service center or to the nearest dealer.

Symptom	Cause	Solution
No power	The car ignition is not on.	If the power supply is properly connected to the car accessory switch the ignition key to "ACC".
	The fuse is blown.	Replace the fuse.
No sound	Volume is in minimum.	Adjust volume to a desired level.
	Wiring is not properly connected.	Check wiring connection.
Bad sound quality	The installation angle is more than 35 degrees.	Adjust the installation angle to less than 35 degrees.
	The disc is extremely dirty or defective.	Clean the compact disc/try to play a new one.
Disc cannot be loaded or ejected	The unit already contains a disc.	Remove the disc in the player then put a new one.
	Moisture condensation.	Leave the unit idle for an hour, then retry.
Disc cannot be read	The disc is inserted upside down.	Insert the compact disc with the label side facing upward.
	Compact disc is extremely dirty or defective.	Clean the disc or try to play a new one.
	Temperature inside the car is too high.	Cool off until the ambient temperature returns to normal.
Buttons do not work	The built-in microcomputer is not operating properly.	Reset the unit with the help of RESET button.
	Front panel is not properly fix into its place.	Install the front panel properly.
The radio does not work	The antenna cable is not connected.	Insert the antenna cable properly.
The radio station automatic tuning does not work	The signals are too weak.	Select stations manually.

# General information

## Specifications

### General

Power supply:	14 V DC
Maximum power output:	4 x 50 W
Dimensions/weight:	170 x 178 x 100 mm /3.4 kg
Mounting angle	0 to +/-35°
Working temperature range	-20°C - +60°C

### Display

Display	Motorized 7" TFT
Resolution:	480 x 234
Aspect ratio:	16:9
Screen size mode:	16:9/4:3
Contrast ratio:	300:1
Brightness:	350 cd/m <sup>2</sup>
View angle:	120°

### FM Stereo Radio

Frequency range:	65.0 – 74.0/87.5 – 108.0 MHz
Usable sensitivity:	10 dB $\mu$ V
Preset memory stations:	24

### AM Radio

Frequency range:	522 kHz - 1620 kHz
Preset memory stations:	12

### TV Tuner

Color System:	SECAM/NTSC/PAL
Tuning Range:	48.25 – 863.25 MHz

### Disc player

ESP function:	40 sec. for Audio CD, 120 sec. for MP3
Compatible storages:	DVD/DVD±R/DVD±RW, CD/CD-R/CD-RW, USB/SD/MMC
Compatible formats:	DVD/SVCD/VCD/HDCD/MP3/CDDA/Picture-CD/JPEG/MPEG4 (DivX/XviD)

Russian ID3 tag support

+

### Terminals

Stereo output RCA (2 V)	2
Video input (RCA)	1
AUX input (2 RCA)	1
Video output	1
Subwoofer pre-out	1
Rear camera input	1

Specifications are subject to change without notice. Dimensions are approximate.



## Уважаемый покупатель!

Благодарим Вас за покупку нашего изделия. Чтобы понять, как правильно и безопасно пользоваться Вашей моделью изделия, рекомендуется тщательно изучить настоящее руководство перед подключением, регулировкой и эксплуатацией изделия. Сохраняйте руководство для использования в будущем.

<b>Содержание</b> .....	25	Удаление введенного символа .....	37
<b>Перед началом эксплуатации</b> .....	27	Настройка системы .....	37
Утилизация изделия .....	27	Настройки видео (Video) .....	37
Меры предосторожности .....	27	Настройки звука (Audio) .....	37
<b>Установка/Подключение</b> .....	29	Настройка источника (Source) .....	38
Установка .....	29	Настройки системы (System) .....	38
Общая информация .....	29	Операции с радио .....	39
Метод 1: установка «спереди» .....	29	Пользовательский интерфейс режима радио .....	39
Метод 2: с помощью боковых от- верстий .....	30	Переключение диапазонов .....	39
Извлечение устройства .....	30	Ручной/автоматический поиск кана- лов .....	39
Подключение .....	31	Местные/удаленные станции .....	39
Схема электрических соединений .....	31	Выбор сохраненной станции .....	39
Использование разъема ISO .....	31	Моно/стерео прием сигнала .....	39
Таблица проводов ISO-коннектора .....	32	Автоматическое сканирование/запо- минание станций .....	40
Подключение парковочного провода .....	33	Отображение на дисплее .....	40
Подключение провода к фонарю за- дного хода .....	33	Переход к частоте .....	40
Провод подсветки кнопок .....	33	Сервис RDS .....	40
<b>Управление устройством</b> .....	34	Сенсорный пользовательский интер- фейс меню RDS .....	40
Передняя панель .....	34	Альтернативные частоты .....	40
Внутренняя панель .....	34	Функция ТА (Traffic Alarm) .....	41
Пульт дистанционного управления .....	35	Тип программы .....	41
Замена батарей в ПДУ .....	35	Операции с ТВ-тюнером .....	41
Основные операции .....	36	Сенсорное меню режима ТВ-тюнера .....	41
Сенсорный дисплей .....	36	Выбор ТВ-канала .....	42
Сброс всех настроек устройства .....	36	Поиск частоты .....	42
Включение/выключение устройства .....	36	Автоматический поиск каналов .....	42
Открытие монитора .....	36	Операции в режиме AUX .....	42
Регулирование угла наклона мони- тора .....	36	Операции с дисками/USB/SD/MMC .....	42
Ночной режим .....	36	Загрузка/извлечение диска .....	42
Регулирование громкости .....	36	Сенсорное управление воспроизведе- нием дисков DVD/VCD/MP4 .....	42
Регулировка параметров звука .....	36	Сенсорное управление воспроизведе- нием CD/MP3/USB/SD .....	43
Отключение звука .....	36	Загрузка/извлечение USB-	
Настройка эквалайзера .....	36		
Тонкомпенсация .....	36		
Выбор режима работы .....	37		

# Содержание

накопителя/карты памяти .....	43
Выбор трека .....	44
Пауза/остановка воспроизведения .....	44
Перемотка вперед/назад .....	44
Повторное воспроизведение .....	44
Случайное воспроизведение .....	44
Выбор системы ТВ .....	44
Замедленное воспроизведение .....	44
Масштаб изображения .....	44
Отображение информации о вос-	
произведении .....	44
Параметры воспроизведения .....	44
Угол обзора .....	45
Язык аудио .....	45
Язык субтитров .....	45
Программирование воспроизведения	45
ID3-теги .....	45
Меню диска (для DVD) .....	45
Настройка DVD .....	45
Главная страница .....	46
Установка DOLBY .....	46
Дополнительные настройки .....	47
Выход .....	47
<b>Общая информация</b> .....	48
Обращение с компакт-дисками .....	48
Чистка дисков .....	48
Чистка корпуса устройства .....	48
Комплект поставки .....	48
Руководство по устранению	
неисправностей .....	49
Технические характеристики .....	50

## Утилизация изделия

Если вы желаете утилизировать данное изделие, не выбрасывайте его вместе с обычным бытовым мусором. Существует отдельная система сбора использованных электронных изделий в соответствии с законодательством, которая предполагает соответствующее обращение, возврат и переработку.

Обращайтесь в органы местного управления за инструкциями по правильной утилизации продукта. Тем самым Вы обеспечите утилизацию Вашего изделия с соблюдением обязательных процедур по обработке, утилизации и вторичной переработке и, таким образом, предотвратите потенциальное негативное воздействие на окружающую среду и здоровье людей.

## Меры предосторожности

- Внимательно изучите данное руководство, чтобы ознакомиться с устройством.
- Держите данное руководство под рукой в качестве справочника по правилам эксплуатации и мерам предосторожности. Не допускайте к использованию устройства посторонних лиц, не ознакомившихся и не усвоивших данные инструкции по эксплуатации.

### • ЛАЗЕРНЫЙ ПРОДУКТ КЛАССА 1

Данное устройство оснащено лазерным диодом класса выше 1. Лазерные лучи, исходящие из блока оптической головки считывания информации с компакт-диска, опасны для глаз. В целях обеспечения полной безопасности не снимайте какие-либо крышки и не пытайтесь проникнуть внутрь устройства. Ремонт должен выполняться только квалифицированным специалистом.

- Не допускайте попадания жидкости на устройство. Это может повлечь поражение электрическим током. Кроме того, попадание жидкости или пыли в устройство может стать причиной его выхода из строя, перегрева и появления дыма. Оберегайте устройство от воздействия влаги.

- Убедитесь, что внутрь устройства не попали посторонние предметы. Они могут

вызвать сбои в работе или стать причиной возгорания или поражения лазерным лучом.

- Началом эксплуатации устройства считается момент его установки в автомобиль. Перед началом использования устройства в зимний период рекомендуется прогреть салон автомобиля в течение 20 минут или до достижения эксплуатационного диапазона температуры устройства.

- Использование устройства при температуре, выходящей за рамки эксплуатационного диапазона температур, значительно снижает ресурс работы экрана и других компонентов устройства и может привести к выходу устройства из строя.

- При установке и подключении устройства отключите отрицательную клемму аккумулятора автомобиля.

- Устройство разработано таким образом, чтобы отрицательный вывод аккумулятора был подключен к корпусу транспортного средства. Пожалуйста, убедитесь в этом перед установкой.

- При замене предохранителя, убедитесь, что вы устанавливаете предохранитель с тем же номиналом. Используя предохранитель с повышенным значением тока, можно причинить значительные повреждения устройству.

- Не позволяйте проводам динамиков

соприкасаться друг с другом или с корпусом автомобиля после включения устройства. В противном случае усилитель может быть перегружен или выйти из строя.

- Убедитесь, что источник питания и антенна отключены, если Вы не будете пользоваться устройством в течение длительного времени или во время грозы.
- Убедитесь, что источник питания отключен, если обнаружена неправильная работа устройства, устройство издает нехарактерные звуки, запах, выделяет дым или внутрь его попала жидкость. В этих случаях необходим квалифицированный технический осмотр устройства.
- Не устанавливайте уровень громкости, заглушающий внешние звуки дорожной обстановки и сигналы специального автотранспорта.
- При неполадках в работе устройства свяжитесь с торговым представителем или с ближайшим сервисным пунктом.

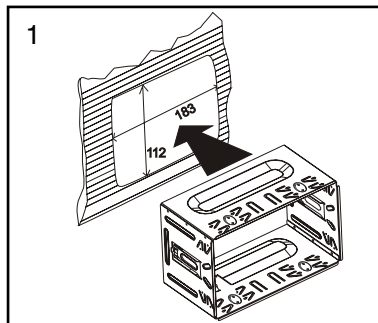
## Установка

### Общая информация

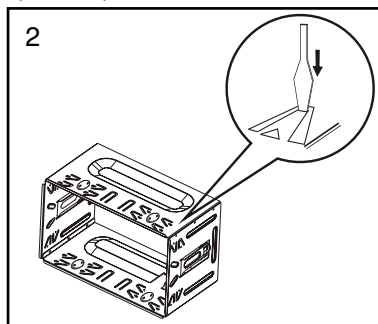
- Перед окончательной установкой устройства временно подключите все провода и убедитесь, что все соединения выполнены верно, а устройство и система работают правильно.
- Для обеспечения правильной установки устройства используйте только те детали, которые входят в комплект. Использование других приспособлений может привести к появлению сбоев в его работе.
- Если для установки устройства необходимо сверлить отверстия в кузове автомобиля или вносить какие-либо другие изменения в его конструкцию, проконсультируйтесь с продавцом.
- Устанавливайте устройство там, где оно не будет закрывать водителю обзор и отвлекать от дорожной обстановки и не сможет нанести травм пассажирам в случае внезапной остановки автомобиля, например, при экстренном торможении.
- Если при установке устройства угол относительно горизонтальной плоскости превышает 35°, рабочие характеристики проигрывателя могут быть не оптимальны.
- Никогда не устанавливайте устройство в таких местах, где оно будет подвергаться воздействию высокой температуры, например, в местах попадания прямых солнечных лучей, в местах выхода горячего воздуха от отопителя автомобиля, в местах, где очень грязно или пыльно, или там, где устройство будет подвергаться сильной вибрации.

### Метод 1: Установка «спереди»

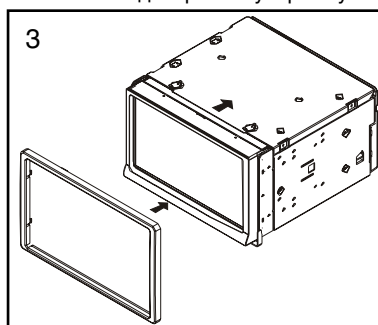
1. Вставьте монтажный кожух в приборную панель.



2. Отогните нужные зубцы для более прочной фиксации.

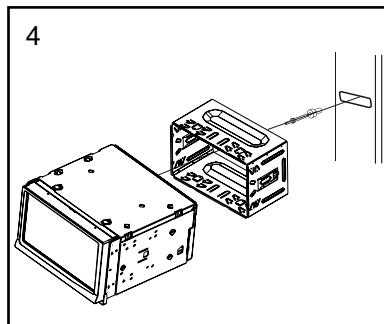


3. Вставьте устройство в кожух и установите на него декоративную рамку.



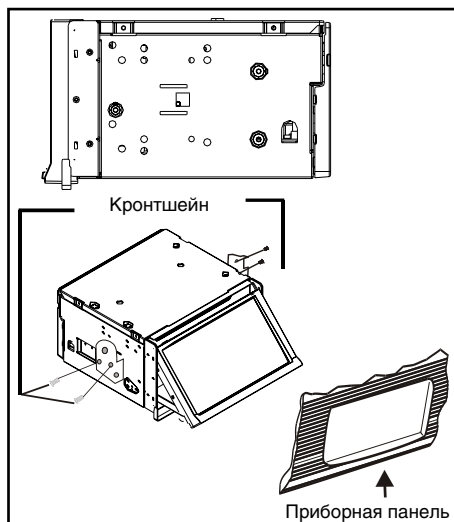
## Установка/Подключение

4. Для поддержки устройства зафиксируйте заднюю панель устройства с помощью заднего болта.



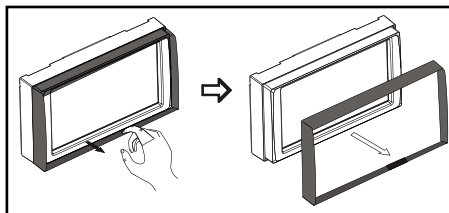
### Метод 2: с помощью боковых отверстий для винтов.

Выберите положение, при котором отверстия на штатных кронштейнах автомобиля будут совпадать с боковыми отверстиями для винтов на данном устройстве. С помощью винтов, входящих в комплект поставки, прикрепите кронштейны к корпусу устройства.

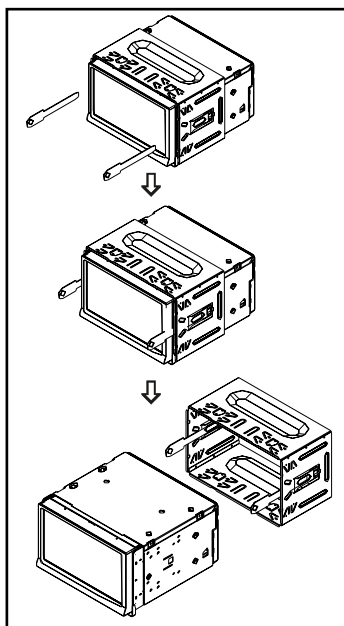


### Извлечение устройства

1. Снимите декоративную рамку.

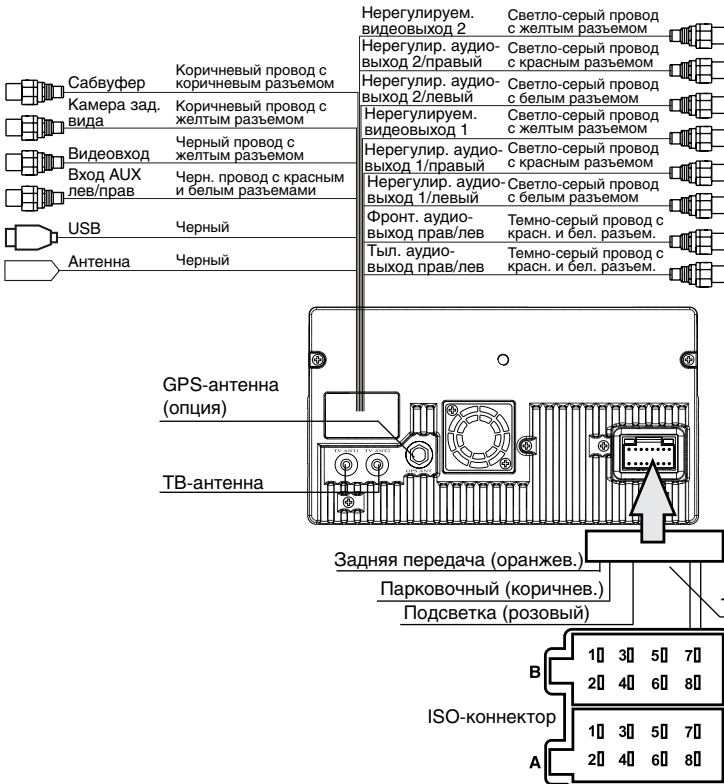


2. Вставьте ключи-съемники, входящие в комплект поставки, по бокам устройства (как показано на рисунке) до щелчка. Затем потяните ключи на себя, чтобы извлечь устройство.



## Подключение

### Схема электрических соединений

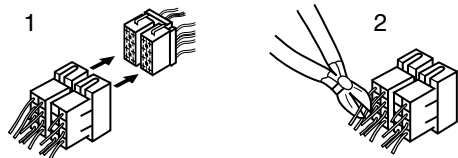


### Использование разъема ISO

1. Если в Вашем автомобиле есть разъем ISO, произведите подключение, как показано на рисунке.

2. Для подключений без разъемов ISO внимательно проверьте все провода перед подключением, неправильное подключение может привести к повреждениям изделия. Обрежьте разъем, подключите цветные


головки разъема к шнуру питания батареи в соответствии с приведенной таблицей.



## Установка/Подключение

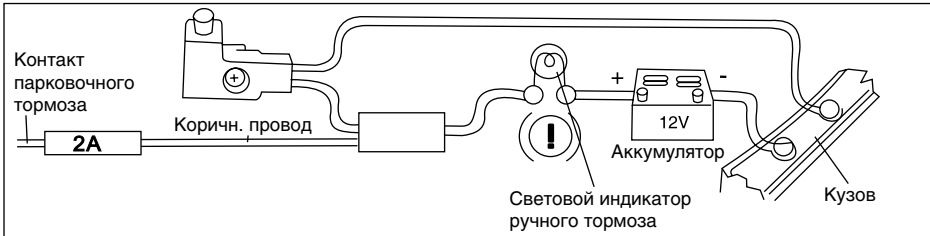
Таблица проводов ISO-коннектора

Номер	Функция	
	Разъем А	Разъем В
1	-	Тыл. прав. динамик (+) - Фиолетовый
2	-	Тыл. прав. динамик (-) - Фиолет./Черный
3	-	Фронт прав. динамик (+) - Серый
4	Питание +12В/Желтый	Фронт прав. динамик (-) - Серый/Черный
5	Питание антенны/усилит. - Синий	Фронт лев. динамик (+) - Белый
6	-	Фронт. лев. динамик (-) - Белый/Черный
7	Зажигание/Красный	Тыл. лев. динамик (+) - Зеленый
8	Заземление/Черный	Тыл. лев. динамик (-) - Зеленый/Черный

 Провод питания антенны предназначен для подачи питания на антенну и для удаленного управления дополнительным усилителем.

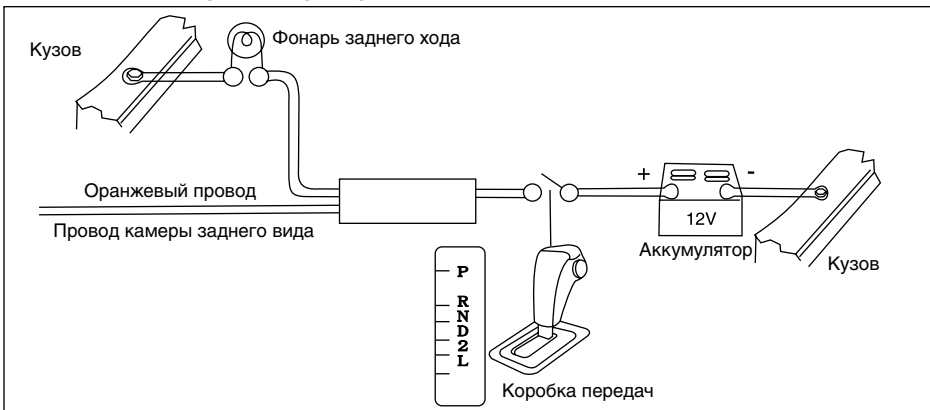


## Подключение парковочного провода



Если парковочный провод подсоединен к ручному тормозу, наличие видеоизображения на дисплее будет зависеть от движения автомобиля, настроек системы и подключенных источников видео. При движении автомобиля вперед при воспроизведении видеодиска на дисплее отобразится предупредительная надпись “WARNING!! You cannot use this function while driving” (“ВНИМАНИЕ! Вы не можете использовать эту функцию во время вождения”), картинка будет отсутствовать; это позволит водителю не отвлекаться от управления автомобилем.

## Подключение провода фонаря заднего хода (для работы камеры заднего вида)



Если подключена камера заднего вида, при движении автомобиля задним ходом устройство автоматически переключится в режим камеры заднего вида. При окончании движения задним ходом устройство вернется в исходный режим.

## Провод подсветки кнопок (lamp in)

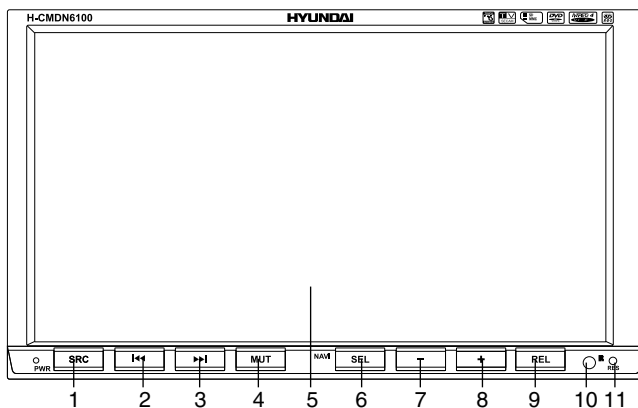
Предназначен для осуществления регулируемой и нерегулируемой яркости подсветки кнопок передней панели устройства.

- **Регулируемая:** необходимо подключить провод к регулятору яркости подсветки приборной панели автомобиля. Подсветка передней панели устройства возможна только при включенном освещении приборной панели автомобиля.
- **Нерегулируемая:** провод подключается вместе с желтым проводом магнитолы (+12 В); подсветка активна постоянно при установленной передней панели.

## Элементы управления

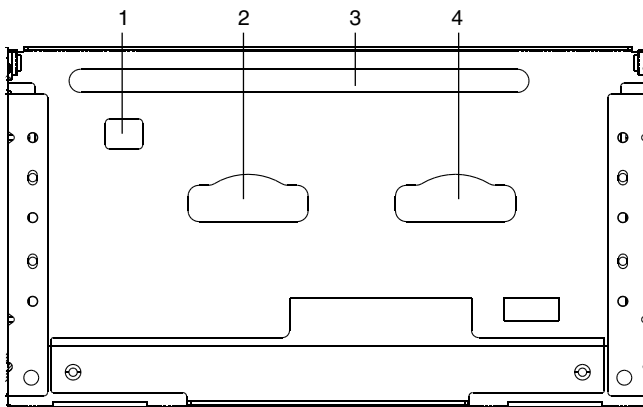
### Передняя панель

1. Кнопка SRC
2. Кнопка ◀◀
3. Кнопка ▶▶
4. Кнопка MUT
5. TFT-дисплей
6. Кнопка NAVI/SEL (опция)
7. Кнопка VOL-
8. Кнопка VOL+
9. Кнопка REL
10. ИК-датчик ПДУ
11. Кнопка (отверстие) RES

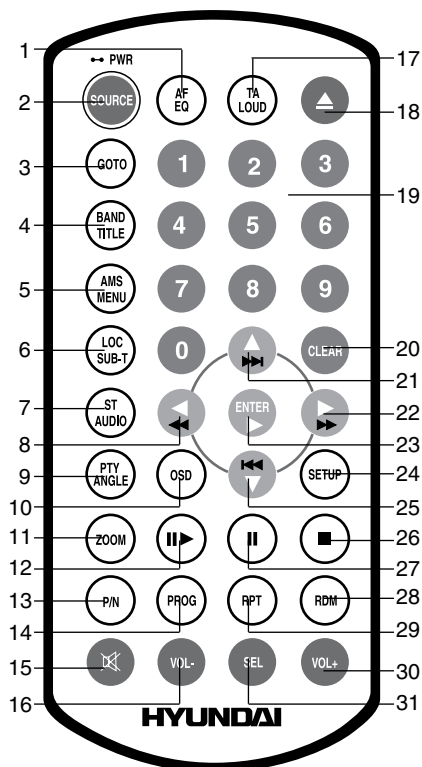


### Внутренняя панель

1. Кнопка Eject (извлечение диска)
2. Slot для карты памяти SD/MMC
3. Slot для дисков
4. Slot для навигационной карты памяти (опция)



## Пульт дистанционного управления



1. Кнопка AF/EQ
2. Кнопка SOURCE
3. Кнопка GOTO
4. Кнопка BAND/TITLE
5. Кнопка AMS/MENU
6. Кнопка LOC/SUB-T
7. Кнопка ST/AUDIO
8. Кнопка ◀/Кнопка курсора ВЛЕВО
9. Кнопка PTY/ANGLE
10. Кнопка OSD
11. Кнопка ZOOM
12. Кнопка II▶
13. Кнопка P/N

14. Кнопка PROG
15. Кнопка ✕
16. Кнопка VOL-
17. Кнопка TA/LOUD
18. Кнопка ▲ button
19. Кнопки с цифрами
20. Кнопка CLEAR
21. Кнопка ▶▶/Кнопка курсора ВВЕРХ
22. Кнопка ▶▶/Кнопка курсора ВПРАВО
23. Кнопка ENTER
24. Кнопка SETUP
25. Кнопка ◀◀/Кнопка курсора ВНИЗ
26. Кнопка ■
27. Кнопка II
28. Кнопка RDM
29. Кнопка RPT
30. Кнопка VOL+
31. Кнопка SEL

### Замена батарей в ПДУ

Если радиус действия ПДУ сократился или не работают некоторые кнопки, замените элемент питания ПДУ. При замене убедитесь в правильном соблюдении полярности.

1. Откройте заднюю крышку ПДУ.
2. Вставьте батарейку-"таблетку" типа CR2025 (3 В) плюсом (+) вверх.
3. Закройте крышку.

- Держите батарейки вне досягаемости для детей. Если ребенок проглотил батарейку, немедленно обратитесь к врачу.
  - Не перезаряжайте, не разбирайте и не нагревайте батарейки.
  - Не позволяйте батарейкам соприкасаться с другими металлическими объектами.
  - ПДУ работает на расстоянии 3-5 метров и под углом 30° от ИК-сенсора.


## Основные операции

### Сенсорный дисплей

Данное устройство оснащено сенсорным дисплеем, позволяющим выполнять многие операции путем прикосновения к сенсорным кнопкам дисплея.

### Сброс всех настроек устройства

Включая устройство в первый раз или после замены батареи, Вы должны переустановить его. Нажмите кнопку RES на передней панели острым предметом (например, шариковой ручкой); будут установлены заводские настройки.

 При нарушении функционирования дисплея Вы можете нажать кнопку RES для сброса пользовательских настроек.

### Включение/выключение устройства


Нажмите кнопку PWR/SOURCE на ПДУ или кнопку PWR/SRC на панели, чтобы включить питание устройства. Нажмите и удерживайте эту кнопку для отключения питания устройства.

### Открытие монитора

Нажмите кнопку REL на панели или кнопку ▲ на ПДУ, чтобы открыть монитор. Нажмите эту кнопку еще раз для возврата монитора в исходное положение.

### Регулирование угла наклона монитора

Вы можете отрегулировать угол наклона монитора. Нажмите и удерживайте кнопку REL до отображения на дисплее слова ANGLE («угол»). Нажимайте кнопку VOL+ на панели для отклонения монитора вперед; нажимайте кнопку VOL- на панели для отклонения монитора назад.

 Не пытайтесь наклонять монитор вручную, иначе Вы можете повредить устройство.

### Ночной режим

Нажмите и удерживайте кнопку MUT на панели для активации ночного режима работы дисплея. Нажмите эту кнопку повторно для переключения в нормальный режим.


### Регулирование громкости

Для регулирования уровня громкости нажимайте кнопки VOL+/VOL- на ПДУ или на передней панели.

### Регулировка параметров звука

Нажимайте кнопку SEL на ПДУ или кнопку NAVI/SEL на панели, чтобы выбрать нужный параметр в следующем порядке: VOL (громкость) => BALAN (баланс между левым и правым каналами) => FADE (баланс между фронтальными и тыловыми динамиками) => BASS (низкие частоты) => TREBL (высокие частоты) => SUBWF (сабвуфер). После выбора нужного параметра нажимайте кнопки VOL+/VOL- на ПДУ или на панели, чтобы отрегулировать выбранный параметр.

### Отключение звука

Нажмите кнопку  на ПДУ или кнопку MUT на панели для отключения звука. На дисплее отобразится соответствующий символ. Для включения звука повторно нажмите эту кнопку или регулируйте громкость.

### Настройка эквалайзера

При прослушивании музыки Вы можете с помощью кнопки AF/EQ на ПДУ выбрать соответствующий предустановленный режим для получения звучания, соответствующего прослушиваемому стилю музыки. Нажимайте и удерживайте эту кнопку для переключения между режимами в следующем порядке: POP => CLAS => ROCK => OFF (выкл.). Установка по умолчанию – OFF.


### Тонкомпенсация

Нажмите и удерживайте кнопку TA/LOUD на ПДУ, чтобы активировать функцию тон-

компенсации. Качество звучания улучшится за счет повышения уровня низких частот. Нажмите кнопку еще раз, чтобы отключить функцию.

## Выбор режима работы

Нажимайте кнопку PWR/SOURCE на ПДУ или кнопку PWR/SRC на панели для выбора режима работы устройства: Радио => Диск => Карта памяти => ТВ-тюнер => AUX => USB. Либо в любом режиме нажмите на сенсорную кнопку SRC для перехода в Основное меню. В Основном меню нажмите на сенсорную кнопку нужного режима.

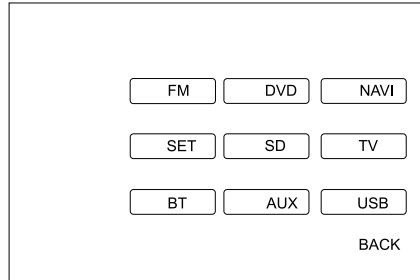
 Режимы Диск, Карта памяти и USB доступны, только когда соответствующий носитель установлен в устройство. Режим, название которого в меню написано голубым шрифтом, не поддерживается данным устройством. Режим NAVI (GPS-навигация) является опциональным и также может быть выбран путем нажатия и удержания кнопки NAVI/SEL на передней панели устройства (для работы режима навигации необходимо вставить карту памяти с навигационной программой в слот для навигационной карты памяти, расположенный на внутренней панели устройства).

## Удаление введенного символа

При вводе неверного символа нажмите кнопку CLEAR на ПДУ для удаления этого символа.

## Настройка системы



При включении устройства на дисплее отобразится Основное меню.



Нажмите кнопку SETUP на ПДУ, либо нажмите на сенсорную кнопку SET на дисплее для входа в Меню настройки системы.



Меню настройки системы содержит опции VIDEO, AUDIO, SOURCE и SYSTEM. Нажмите на сенсорную кнопку нужной опции для входа в подменю соответствующих настроек.

## Настройки видео (Video)

В данном подменю Вы можете отрегулировать контрастность (CONTRAST), цветность (COLOR), оттенок (TINT), яркость (BRIGHT) и четкость (PICTURE). Нажмите на сенсорную кнопку соответствующего параметра, затем нажмите сенсорные кнопки  и , чтобы отрегулировать выбранный параметр. После выполнения настройки не выполняйте никаких операций в течение нескольких секунд. Чтобы сохранить выполненные настройки, нажмите сенсорную кнопку SAVE. Чтобы сбросить настройки, нажмите сенсорную кнопку RESET. Для выхода из меню нажмите сенсорную кнопку EXIT.

## Настройки звука (Audio)

В данном подменю Вы можете отрегулировать громкость (VOLUME), баланс между правым и левым каналами (BALANCE), баланс между фронтальными и тыловыми каналами (fader), сабвуфер (SUBWOOF), низкие частоты (BASS), высокие частоты (TREBLE). Нажмите на сенсорную кнопку соответствующего параметра, затем на-

жимайте сенсорные кнопки  и , чтобы отрегулировать выбранный параметр. После выполнения настройки не выполняйте никаких операций в течение нескольких секунд. Для выхода из меню нажмите сенсорную кнопку EXIT.

## Настройка источника (Source)

В данном подменю Вы можете включить (ON) или отключить (OFF) следующие источники сигнала: AUX, TV (ТВ-тюнер), BT, SD (карта памяти), NAVI (опция) или USB. Для этого нажмите сенсорную кнопку нужного источника. Источник BT данной моделью не поддерживается.

## Настройки системы (System)

В данном меню вы можете настроить ряд общих параметров функционирования системы. Нажмите сенсорную кнопку нужного параметра для вызова меню опций, затем нажмите на нужную опцию на сенсорном дисплее. Нажимайте кнопки со стрелками с правой стороны сенсорного экрана для отображения предыдущей/следующей страницы меню.

- **CLOCK SYS** (режим часов): Переключите на 12- или 24-часовой режим отображения времени.
- **KEY BEEP** (звуковой сигнал): Включение (ON) или отключение (OFF) звукового сигнала, сопровождающего нажатия кнопок.
- **MONI FLEX** - не активен для данной модели.
- **REVER POLA** (обратная полярность): В данном меню Вы можете изменять полярность. При движении на автомобиле задним ходом значение сигнала равно +12 вольт, нажмите кнопку BATTERY на дисплее. Если значение сигнала равно 0 V, нажмите кнопку GROUND на дисплее.
- **LAMP SEL** (подсветка): Вы можете включить (ON) или отключить (OFF) подсветку кнопок передней панели устройства.
- **AMS FULLUP** (Настройка режимов AMS): В данном меню Вы можете настроить режимы AMS. При выборе ON (вкл)

набор предустановленных станций полный и добавление новых станций невозможно. Выберите OFF (выкл) для возможности продолжения поиска.

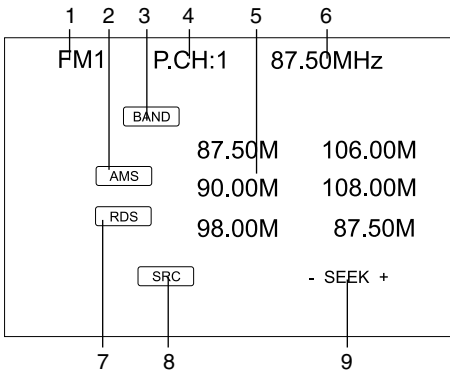
- **LOCAL AREA** (местная зона): Вы можете выбрать EUROPE, USA или OIRT для быстрого поиска станций в текущей зоне.
- **LOCAL** (местные): В данном меню Вы можете осуществить поиск местных радиостанций; при выборе ON (вкл) устройство будет принимать местные радиостанции с сильным сигналом; при выборе OFF (выкл) будут приниматься иногородние радиостанции со слабым сигналом.
- **GOTO FREQ** (выбор частоты): При выборе ON (вкл), Вы можете использовать кнопку GOTO на ПДУ для выбора частоты радиостанции непосредственно в режиме радио.
- **RT Scroll** (Скорость прокрутки): Вы можете выбрать следующие скорости прокрутки RDS-информации: SLOW (медленно), NORMAL (норма) или FAST (быстро).
- **TA Volume** (Громкость TA): Вы можете выбрать следующие уровни громкости: LOW (тихо), NORMAL (норма) или HIGH (громко).
- **Region** (Регион): Чтобы установить регион поиска AF, установка по умолчанию ON (вкл).
- **ADJ SCREEN** (калибровка экрана): После выбора данной опции в левом верхнем углу дисплея появится зеленый крестик и надпись: "Please press the button" («Пожалуйста, нажмите»). Нажмите на крестик, после чего он переместится в другой угол. Нажмите на него еще раз; крестик переместится в третью позицию. После того, как Вы нажмете на него еще раз, он переместится в четвертый угол. После четвертого нажатия на дисплее отобразится надпись "Adjust successful" («Настройка выполнена успешно»). Данная процедура необходима в некоторых случаях при появлении сбоев в работе сенсорного дисплея.
- **CLOCK ADJ** (установка времени): В данном подменю Вы можете настроить часы. Нажимайте сенсорные кнопки-стрелки ВПРАВО/ВЛЕВО, чтобы выбрать

часы, минуты или секунды. Нажимайте сенсорные кнопки-стрелки ВВЕРХ/ВНИЗ, чтобы установить значение часов, минут или секунд.

## Операции с радио

### Пользовательский интерфейс режима радио

Когда устройство находится в режиме радио, на дисплее отображается следующий интерфейс:



1. Индикатор текущего диапазона.
2. Кнопка AMS. Нажмите для сканирования текущего диапазона. Нажмите и удерживайте для автоматической настройки станций.
3. Кнопка BAND. Нажимайте для выбора диапазона.
4. Номер текущей сохраненной станции.
5. Шесть сохраненных станций текущего диапазона. Нажмите на станцию для ее вызова. Нажмите и удерживайте, чтобы сохранить текущую частоту в данной ячейке памяти.
6. Индикатор текущей радио частоты.
7. Кнопка RDS. Нажмите для входа в меню RDS.
8. Кнопка SRC. Нажмите для входа в Основное меню.
9. Кнопки SEEK+/- . Нажимайте для по-

шагового изменения частоты. Нажмите и удерживайте для автопоиска частоты.

### Переключение диапазонов.


В режиме радио нажимайте кнопку BAND/TITLE на ПДУ для переключения диапазонов в следующем порядке: FM1 - FM2 - FM3 – FM4 - AM1 - AM2.

### Ручной/автоматический поиск каналов

- Ручной поиск каналов: Нажимайте кнопки ◀▶ на ПДУ для переключения станций вниз или вверх по диапазону.
- Автоматический поиск каналов: Нажмите и удерживайте кнопки ◀▶ на ПДУ, устройство выполнит автоматический поиск станций в направлении к низшей или высшей частоте диапазона соответственно и при обнаружении станции начнет ее вещание.

### Местные/удаленные станции

В режиме радио нажмите кнопку LOC/SUB-T на ПДУ, чтобы выбрать прием станций либо с сильным, либо со слабым сигналом. На дисплее появится надпись LOC; устройство будет принимать только местные радиостанции с сильным сигналом. При отключении этого режима устройство будет принимать как местные, так и удаленный радиостанции.

 Эта функция недоступна в диапазоне AM.

### Выбор сохраненной станции


В режиме радио, нажимайте кнопки ◀▶ для выбора предыдущей или следующей сохраненной станцией.

### Моно/стерео прием сигнала

В режиме радио нажмите кнопку ST/AUDIO на ПДУ для переключения между моно и стерео режимами. При переключении на режим моно появляется надпись MONO. При активном режиме стерео эта надпись не отображается. Если принимаемый сигнал

# Управление устройством

слабый, активируйте режим моно для улучшения качества приема сигнала.

 Данная функция доступна только в режиме FM.


## Автоматическое сканирование/ запоминание станций

В режиме радио нажмите кнопку AMS/MENU на ПДУ или кнопку AMS на дисплее; устройство будет в течение нескольких секунд сканировать каждую станцию, сохраненную под цифровыми кнопками (1 – 6).

Вы можете нажать соответствующую цифровую кнопку, кнопку AMS/MENU на ПДУ или кнопку AMS на дисплее, когда сканируется нужная станция. Устройство начнет вещать эту станцию.

При нажатии и удерживании более 2 секунд кнопки AMS/MENU на ПДУ или кнопки AMS на мониторе, автоматически активируется функция автосохранения. Устройство автоматически находит и сохраняет станцию под одной из цифровых кнопок (1 – 6).

Для сохранения станции нажмите и удерживайте более 2 секунд цифровую кнопку при прослушивании станции.


 Устройство может сохранить до 6 станций в каждом диапазоне.

## Отображение на дисплее

В режиме радио нажмите кнопку OSD на ПДУ для отображения часов.

## Переход к частоте

Нажмите кнопку GOTO, на дисплее отобразится надпись **FREQ**. Нажимайте цифровые кнопки, чтобы ввести номер нужной частоты. Устройство перейдет к введенной частоте.

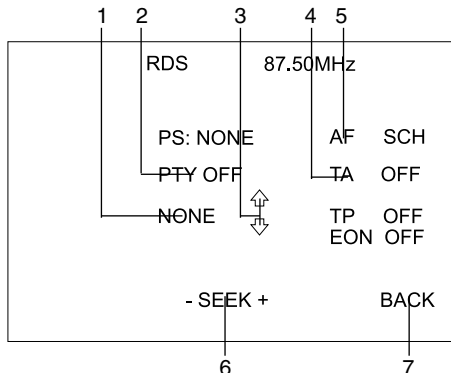
 Данная функция доступна, только если опция GOTO FREQ активирована (ON) в Меню настроек.

## Сервис RDS

Сервис RDS (Система радио данных) доступен не во всех регионах. Имейте в виду,

что если услуга RDS недоступна в Вашем регионе, то данная функция не будет работать.

## Сенсорный пользовательский интерфейс меню RDS



1. Когда функция PTY активна (ON), нажмите на эту кнопку для поиска программы выбранного типа.

2. Кнопка PTY. Нажмите для включения (ON) или отключения (OFF).

3. Кнопки-стрелки ВВЕРХ/ВНИЗ. Нажимайте для выбора типа программы.

4. Кнопка TA. Нажмите для включения (ON)/выключения (OFF) функции TA.


5. Кнопка AF. Нажмите для включения (ON)/выключения (OFF) функции AF.

6. Кнопки SEEK+/- . Нажимайте для автоматического поиска.

7. Кнопка BACK: Нажмите для перехода к интерфейсу режима радио.

## Альтернативные частоты

Нажмите кнопку AF/EQ для активации функции AF. При слабом сигнале функция альтернативных частот позволяет приемнику настраиваться на другие станции с тем же идентификационным кодом, что и текущая станция, но с более сильным сигналом. При этом вместо частоты на дисплее появится название станции.

 Индикатор AF на дисплее активен,



если идет прием данных RDS. Если в Вашем регионе услуги RDS недоступны, отключите режим AF.

## Функция TA (Traffic Alarm)

Нажмите кнопку TA/LOUD для активации функции Traffic alarm. При включении функции AF, «ТА» отображается на дисплее. Если информация TP отсутствует, устройство выполнит автоматический поиск TP-станции.

Надпись «ТА» зеленого цвета при приеме сигнала станции; при отсутствии сигнала она желтая.

При транслировании информации TA уровень громкости будет автоматически настроен на уровень, поддерживаемый режимом TA.

При включении других режимов (напр., DVD, AUX), если передается информация TA, режим автоматически переключится на RDS. Устройство автоматически вернется к предыдущему режиму, когда трансляция информации TA закончится.

## Тип программы

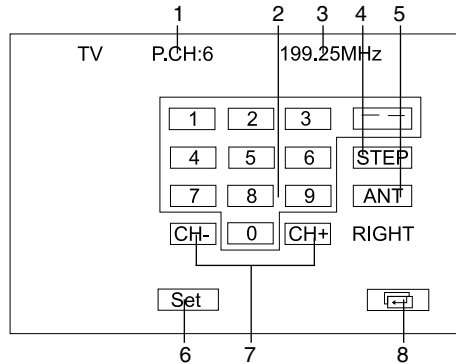
Нажмите кнопку PTY/ANGLE на ПДУ для активации функции PTY.

При включении функции PTY, на дисплее появится надпись PTY ON; Вы можете использовать кнопки курсора ВВЕРХ/ВНИЗ для выбора типа программы. На дисплее отобразится надпись PTY SEARCH. Если функция PTY отключена, на дисплее появится надпись PTY OFF, поиск прекратится.

## Операции с ТВ-тюнером

### Сенсорное меню режима ТВ-тюнера

При выборе режима ТВ-тюнера на дисплее будет отображаться следующий пользовательский интерфейс:



1. Номер сохраненного канала.

2. Кнопки с цифрами. Для выбора сохраненного канала под номером от 1 до 9 нажмите соответствующую кнопку на дисплее. Нажмите кнопку --, затем нужные кнопки с цифрами для выбора канала под номером от 10.

3. Текущая частота диапазона.

4. Кнопка STEP. Нажимайте для регулирования качества изображения.

5. Кнопка ANT. Нажмите для активации правой или левой антенны.

6. Кнопка SET. Нажмите для вызова следующего меню:

**SOUND** (звук). Выберите систему звука M/N, B/G, D/K.

**BAND** (диапазон). Выберите диапазон V-I, V-H, UHF.


**MODE** (режим). Выберите систему цветности: SECAM/NTSC/PAL.

**MANU+/MANU-**: нажимайте для пошагового изменения текущей частоты.

**AUTO**: Нажимайте для автоматического поиска каналов.

7. Кнопки CH-/CH+. Нажимайте для перехода к предыдущему/следующему каналу.

8. Нажмите для возврата к Основному меню.

 Чтобы скрыть пользовательский интерфейс ТВ-режима, прикоснитесь к дисплею в любом месте, где отсутствуют сенсорные кнопки управления. Для вызова

# Управление устройством

интерфейса прикоснитесь к дисплею в любом месте.

## Выбор ТВ-канала

Нажимайте кнопки ◀▶▶▶ для выбора предыдущего/следующего сохраненного канала. Нажмите кнопку с цифрой 1 - 9 для непосредственного выбора нужного канала. Для выбора канала под номером более 9 нажмите кнопку GOTO на ПДУ, затем нужные кнопки с цифрами.

## Поиск частоты

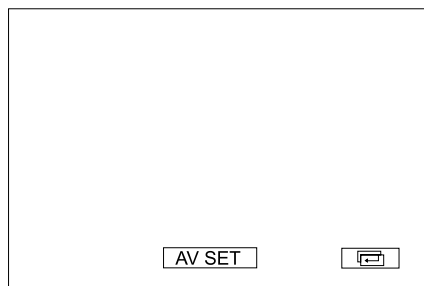
Нажимайте кнопки ◀▶▶▶ на ПДУ для пошагового изменения текущей частоты. Нажмите и удерживайте одну из этих кнопок для автоматического поиска нужной частоты.

## Автоматический поиск каналов

Нажмите кнопку AMS/MENU на ПДУ для автоматического поиска доступных телеканалов.

## Операции в режиме AUX

При активации режима AUX на дисплее отображается следующий пользовательский интерфейс:



Нажмите на сенсорную кнопку AV SET для перехода к меню настроек AUX. В данном меню Вы можете отрегулировать следующие параметры:

1. AUDIO ADJUST (настройка звука)

2. VIDEO ADJUST (настройка изображения)

3. VIDEO FORMAT (формат видео): (Auto 1 – PAL, NTSC, SECAM; Auto 2 – P-M, P-N).

## Операции с дисками/USB/SD/MMC

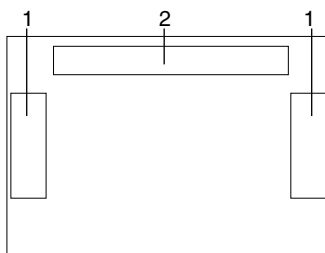
### Загрузка/извлечение диска

Нажмите кнопку REL на панели или кнопку ▲ на ПДУ RC, чтобы открыть переднюю панель. Вставьте диск в слот для дисков. Устройство автоматически переключится в режим DVD. После загрузки диска автоматически начнется его воспроизведение.

Откройте переднюю панель и нажмите кнопку EJECT, чтобы извлечь диск из устройства.

### Сенсорное управление воспроизведением дисков DVD/VCD/MP4

При воспроизведении диска DVD/VCD/MP4, Вы можете нажимать на следующие области дисплея для управления воспроизведением:




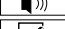





1. Область ПРЕДЫДУЩИЙ (слева)/область СЛЕДУЮЩИЙ (справа) – переход к предыдущему/следующему треку/главе.

2. Область клавиатуры – нажмите для вызова сенсорной клавиатуры. С помощью кнопок с цифрами введите номер трека для воспроизведения.

Если во время воспроизведения Вы

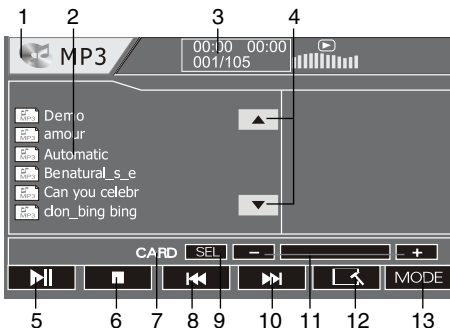
нажмете на нижнюю часть дисплея, отобразится сенсорная панель управления воспроизведением, включающая следующие кнопки и функции:

-  Воспроизведение/пауза
-  Стоп
-  Увеличение громкости
-  Уменьшение громкости
-  Меню настройки DVD
-  Выбор режима работы устройства

 Производитель гарантирует нормальное воспроизведение только лицензионных дисков. Воспроизведение некоторых AVI-файлов может оказаться невозможным в зависимости от их конфигурации и параметров, а также условий записи. Видеофайлы с расширением AVI объемом более 2 Гб могут воспроизводиться устройством не полностью.

## Сенсорное управление воспроизведением CD/MP3/USB/SD

При воспроизведении файла, содержащегося на диске CD/MP3/USB-накопителе/карте памяти SD, Вы можете нажимать на следующие элементы сенсорного дисплея для управления воспроизведением:



1. Индикатор типа диска/файла (не подлежит управлению)
2. Список файлов. Нажмите на нужный файл для его воспроизведения.
3. Область клавиатуры – нажмите для вызова сенсорной клавиатуры. С помощью


кнопок с цифрами введите номер трека для воспроизведения.

4. Кнопка прокрутки списка
5. Кнопка PLAY/PAUSE (воспроизведение/пауза)
6. Кнопка STOP (стоп)
7. Индикатор CARD (карты памяти)/USB (не подлежит управлению)
8. Кнопка PREVIOUS (предыдущий)
9. Кнопка SEL. Нажимайте для выбора параметра звука, который Вы хотите отрегулировать.
10. Кнопка NEXT (следующий)
11. Кнопки +/- Нажимайте для увеличения/уменьшения уровня громкости.
12. Нажмите для перехода к Меню настройки DVD.
13. Выбор режима работы устройства

## Загрузка/извлечение USB-накопителя/карты памяти

Подсоедините USB-накопитель к разъему USB на задней панели данного устройства. Устройство автоматически перейдет в режим USB и начнет считывание информации с накопителя. Чтобы извлечь USB-накопитель из устройства, переключите устройство в другой режим и отсоедините USB-накопитель от разъема USB.

Для подсоединения карты памяти к устройству откройте переднюю панель и вставьте карту памяти в соответствующий слот. Закройте переднюю панель. Устройство автоматически перейдет в режим карты памяти и начнет считывание информации с карты. Чтобы извлечь карту памяти из устройства, переключите устройство в другой режим, откройте переднюю панель и нажмите на карту, после чего извлеките ее из слота.

 USB: емкость: до 4 Гб. SD/MMC: Для корректной работы устройства используйте лицензионные карты памяти известных производителей. Избегайте использования нелицензионных карт памяти. Емкость: до 4 Гб.

## Выбор трека

**Для DVD/MP3:** Нажимайте кнопки ◀◀▶▶ для выбора предыдущей или следующей главы.

**Для VCD/CD:** Нажмите кнопку ◀◀ для перехода к началу текущей главы. Нажмите и удерживайте кнопку ▶▶ для перехода к предыдущей главе. Нажмите кнопку ▶▶ для перехода к следующей главе.

## Пауза/остановка воспроизведения

Нажимайте кнопку II на ПДУ для приостановки или продолжения воспроизведения.

Нажмите кнопку ■ на ПДУ, чтобы остановить воспроизведение. Теперь при нажатии кнопки II или ENTER воспроизведение начнется с того места, на котором оно было остановлено (данная функция недоступна для дисков CD/MP3). Нажмите кнопку ■ дважды для полной остановки воспроизведения. Теперь воспроизведение может быть возобновлено только с самого начала.

## Перемотка вперед/назад

Нажимайте кнопки ◀◀▶▶ на ПДУ для перемотки назад/вперед. При каждом нажатии скорость перемотки будет изменяться в следующем порядке: 2X => 4X => 8X => 16X => Норм.

## Повторное воспроизведение

Нажимайте кнопку RPT на ПДУ для переключения между следующими режимами повтора:

**Для DVD:** Повтор главы => Повтор раздела => Отключение повтора.

**Для VCD/MP4/CD/MP3:** Повтор трека => Отключение повтора.

## Случайное воспроизведение

Во время воспроизведения нажмите кнопку RDM для воспроизведения глав/треков в случайном порядке. Нажмите кнопку еще раз для возврата к нормальному воспроизведению.

## Выбор системы ТВ

Нажимайте кнопку P/N на ПДУ для выбора системы ТВ: PAL, NTSC или Авто.

## Замедленное воспроизведение

Нажимайте кнопку II▶ на ПДУ для замедленного воспроизведения в прямом или обратном направлении. При каждом нажатии скорость воспроизведения будет изменяться в следующем порядке:

**Для DVD:** 1/2 вперед => 1/4 вперед => 1/8 вперед => 1/2 назад => 1/4 назад => 1/8 назад => Норм.

**Для VCD:** 1/2 вперед => 1/4 вперед => 1/8 вперед => Норм.

## Масштаб изображения

Нажимайте кнопку ZOOM на ПДУ для увеличения масштаба изображения в следующем порядке: 2X => 3X => 4X => Норм.

## Отображение информации о воспроизведении

Нажимайте кнопку OSD на ПДУ для отображения различной информации о текущем воспроизведении (в т.ч. истекшее/оставшееся время раздела/главы/трек) в зависимости от типа используемого диска.

## Параметры воспроизведения

**Для DVD:** Нажмите кнопку GOTO для перехода к меню параметров воспроизведения (раздел/глава /аудио/субтитры/выбор угла/время раздела/время главы/повтор/время дис.). С помощью кнопок курсора ВВЕРХ/ВНИЗ выберите параметр и нажмите кнопку ENTER для перехода к его настройке. Затем с помощью кнопок курсора ВЛЕВО/ВПРАВО и кнопок с цифрами настройте выбранный параметр. Воспроизведение будет продолжено с учетом введенных данных. Нажмите кнопку GOTO для выхода из меню.

**Для VCD/CD:** Нажмите кнопку GOTO для отображения "Диск:--:--". С помощью кнопок курсора введите время диска, с которого

должно начаться воспроизведение. Нажмите кнопку GOTO еще раз для отображения "Дорожка:--:". С помощью кнопок курсора введите время трека, с которого должно начаться воспроизведение. Воспроизведение будет продолжено с учетом введенных данных.

**Для MP3:** Нажмите кнопку GOTO для отображения "--:". С помощью кнопок курсора введите номер нужного трека. Нажмите кнопку GOTO еще раз для отображения "--:". С помощью кнопок курсора введите время трека, с которого должно начаться воспроизведение. Воспроизведение будет продолжено с учетом введенных данных.

## Угол обзора

При воспроизведении DVD нажимайте кнопку PTY/ANGLE на ПДУ для выбора нужного угла просмотра эпизода. Данная функция доступна только для дисков, имеющих эпизоды, записанные под разными ракурсами.

## Язык аудио

Нажимайте кнопку ST/AUDIO для выбора нужного языка аудио (для DVD, имеющих аудио на нескольких языках) или нужного аудиоканала (для VCD).

## Язык субтитров

Во время воспроизведения DVD нажимайте кнопку LOC/SUB-T на ПДУ для выбора нужного языка субтитров. Данная функция доступна только для дисков, имеющих субтитры на нескольких языках.

## Программирование воспроизведения

Нажмите кнопку PROG для отображения меню программирования. Затем с помощью кнопок с цифрами введите номера треков/глав (в зависимости от типа используемого диска) в нужном Вам порядке. Для выбора следующей страницы меню установите курсор на пункт ►► и нажмите кнопку ENTER.

Для выбора предыдущей страницы меню установите курсор на пункт ◀◀ и нажмите кнопку ENTER. Установите курсор на пункт START и нажмите кнопку ENTER для запуска воспроизведения в запрограммированном порядке. Установите курсор на пункт ВЫХОД и нажмите кнопку ENTER для выхода из меню программирования.

## ID3-теги

Если MP3 файл содержит информацию совместимого формата ID3 Tag, эта информация будет отображаться на дисплее.

## Меню диска (для DVD)

1. Нажмите кнопку AMS/MENU на ПДУ для перехода к корневому меню диска; на дисплее будет отображен список всех глав. С помощью кнопок с цифрами выберите нужную главу и нажмите кнопку ENTER/PLAY для ее воспроизведения.

2. Нажмите кнопку BAND/TITLE для перехода к меню разделов. С помощью кнопок курсора выберите нужный раздел и нажмите кнопку ENTER/PLAY для его воспроизведения.

## Настройка DVD

1. Нажмите на кнопку SETUP на ПДУ, чтобы войти в меню настройки системы.

2. С помощью кнопок курсора ВЛЕВО/ВПРАВО выберите страницу: Главная страница, Установка DOLBY, Дополнительные настройки, Выход.

3. Нажмите кнопку курсора ВНИЗ для перехода на выбранную страницу.

4. Используйте кнопки курсора ВВЕРХ/ВНИЗ для выбора опций, которые вы хотите настроить.

5. Нажмите курсора ВПРАВО для перехода к списку настроек. С помощью кнопок курсора ВВЕРХ/ВНИЗ выберите настройку и нажмите кнопку ENTER или кнопку курсора ВЛЕВО для подтверждения и возврата к

# Управление устройством

списку опций.

6. Для возврата к меню настройки нажмите кнопку курсора ВЛЕВО.

7. Нажмите кнопку SETUP повторно для выхода из меню настроек.

## Главная страница

ГЛАВНАЯ СТРАНИЦА
ДИСПЛЕЙ УГОЛ ЯЗЫК МЕНЮ РАЗДЕЛЫ ЗАСТАВКА

### • ДИСПЛЕЙ

**Формат 4:3 PS:** Когда устройство подключено к обычному телевизору, широкоэкранный образ воспроизводится на всем экране, но часть его обрезается.

**Формат 4:3 LB:** Когда устройство подключено к обычному телевизору, широкоэкранный образ воспроизводится так, что сверху и снизу появляются черные полосы.

**Широкий:** Используйте этот пункт, если устройство подключено к широкоэкранному телевизору.

### • УГОЛ

Некоторые фильмы на DVD дисках могут быть записаны с различными углами съемки – объект, сцена снимается при разных ракурсах камеры.

Если режим включен, при воспроизведении DVD диска, записанного под разными углами камеры, на экране отображается значок угла камеры.

### • ЯЗЫК МЕНЮ

Выберите язык экранного меню.

### • РАЗДЕЛЫ

Эта функция не работает, если диск не имеет субтитров. Установка по умолчанию - ВКЛ.

### • ЗАСТАВКА

Если функция ЗАСТАВКА включена, устройство включено, и диск не воспроизводится в течение нескольких минут, то на экране появляется движущаяся заставка.

## Установка DOLBY

УСТАНОВКА DOLBY
ДВОЙНОЕ МОНО ДИН. ДИАПАЗОН

### • ДВОЙНОЙ МОНО

Выберите канал аудио сигнала:

**Наст. стерео:** выберите эту настройку, если хотите воспроизвести 5,1-канальный звук, при этом сигнал будет выходить из левого и правого динамиков.

**Моно лев.:** сигнал будет выходить только из левого динамика.

**Моно прав.:** сигнал будет выходить только из правого динамика.

**Смеш. моно:** моно сигнал воспроизводится через оба динамика.

### • ДИНАМИЧЕСКИЙ ДИАПАЗОН

При выборе пункта FULL аудио сигнал будет без динамического сжатия.

При выборе OFF (ВЫКЛ.) аудио сигнал будет с максимальным значением динамического сжатия.

При помощи кнопок курсора ВВЕРХ/ВНИЗ настройте динамический диапазон. Такая регулировка позволяет выбрать необходимый формат сигнала, например, при тихом прослушивании.

## Дополнительные настройки

ДОПОЛ. НАСТРОЙКИ
РЕЖИМ ТВ АУДИО СУБТИТРЫ МЕНЮ ДИСКА РОДИТЕЛЬСКИЙ ИЗМЕН. ПАР ПО УМОЛЧ.

- РЕЖИМ ТВ

**PAL:** эта система используется в Китае, Европе, Гонконге и пр.

**NTSC:** эта система используется в США, Тайване, Японии и пр.

**Авто:** система ТВ автоматически переключается в соответствии с системой, в которой ведется вещание.

- УСТАНОВКИ ЯЗЫКА АУДИО, СУБТИТРОВ, МЕНЮ ДИСКА

Эти параметры могут быть изначально установлены в соответствии с Вашими предпочтениями.

Если установленные Вами параметры поддерживаются содержанием диска, то воспроизведение будет происходить с учетом Ваших настроек. Иначе будут использоваться установки диска, заданные по умолчанию. Вы также можете изменить язык аудио нажатием кнопки ST/AUDIO на ПДУ, язык субтитров – нажатием кнопки LOC/SUB-T на ПДУ.

- РОДИТЕЛЬСКИЙ

Эта функция предназначена для контроля родителями содержимого дисков при их воспроизведении и защищает Ваших детей от сцен насилия и эротики. Диск, уровень которого выше, чем установленный с помощью данной функции, не будет воспроизведен.

Если установлен ПАРОЛЬ, при выборе уровня родительского контроля, введите его в специальное поле.

Выберите уровень контроля:

1 - Максимальный контроль.

8 - Минимальный контроль.

По умолчанию контроль выключен.

- ИЗМЕНЕНИЕ ПАРОЛЯ

Функция пароля по умолчанию включена, и Вы не можете установить ограничения или изменить пароль. Для того, чтобы воспользоваться функцией «Родительский контроль», нужно ввести пароль (по умолчанию 8888), затем нажать на кнопку ENTER. Для того, чтобы изменить пароль, при помощи кнопок курсора выберите пункт «Смена пароля».

СТАРЫЙ ПАРОЛЬ	<input type="text"/>
НОВЫЙ ПАРОЛЬ	<input type="text"/>
ПОДТВЕРД. ПАРОЛЬ	<input type="text"/>
<input type="button" value="OK"/>	

Сначала введите старый пароль или 8888 (если забыли старый), затем новый (4 символа). Затем еще раз введите новый пароль, чтобы подтвердить настройку. После изменения пароля заводской пароль по умолчанию (8888) не будет функционировать.

Нажмите на кнопку ENTER, чтобы сохранить новый пароль.

- ПО УМОЛЧАНИЮ

Возвращает функциям фабричные настройки.

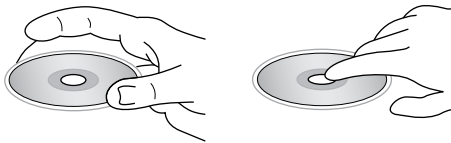
## Выход

Выберите страницу ВЫХОД, чтобы выйти из меню настройки системы.

# Общая информация

## Обращение с компакт-дисками

- Не вставляйте в слот для загрузки компакт-диска ничего, кроме компакт-дисков.
- Не используйте диски с трещинами, отколотыми краями, деформированные диски или диски с другими повреждениями, поскольку такие диски могут вызвать искажение звука, шумы или повредить проигрыватель.
- Держите диск только за края (как показано на рисунке). Чтобы обеспечить чистоту диска, не прикасайтесь к его поверхности.
- Когда диски не используются, храните их в футлярах.
- Не подвергайте диски действию прямого солнечного света, повышенной влажности, повышенным температурам или действию пыли.
- Продолжительное влияние предельных температур (например, при пребывании дисков в автомобиле в летнее время) может деформировать диск.
- Не приклеивайте этикеток, не пишите и не наносите химических веществ на поверхность дисков.
- Не прикасайтесь к записанной поверхности дисков.
- Используйте только традиционные круглые диски диаметром 12 см. Не используйте диски необычной формы и нестандартного размера.

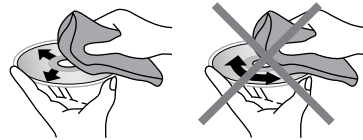


## Чистка дисков

Отпечатки пальцев должны быть тщательно стерты с поверхности диска мягкой тканью. В отличие от обычных пластинок, компакт-диски не имеют канавок для сбора пыли и микроскопических частиц грязи, поэтому осторожно вытирайте их мягкой

тканью, чтобы удалить частицы грязи. Вытирайте прямолинейным движением от центра к краю.

Не используйте растворитель, бензин, очиститель пластинок или антистатический аэрозоль для чистки дисков. Такие химические вещества могут повредить его пластиковые поверхности.



## Чистка корпуса устройства

Протирайте поверхности устройства мягкой тканью. Не мочите корпус. Если корпус очень загрязнен, используйте ткань, слегка смоченную мыльным раствором, и затем вытрите корпус сухой тканью.

## Комплект поставки

1. Ресивер ..... 1 шт
2. Пульт дистанционного управления - 1 шт
3. Удлинительный USB-кабель (опция) 1 шт
4. ISO коннектор ..... 1 шт
5. Детали для установки:
  - Монтажный кожух ..... 1 шт
  - Декоративная рамка ..... 1 шт
  - Ключи-съёмники ..... 2 шт
  - Металлическая пластина ..... 1 шт
  - Винт M5x5 ..... 4 шт
  - Винт M5x20 ..... 5 шт
  - Задний крепежный болт ..... 1 шт
  - Резиновый предохранитель ..... 1 шт
6. Информация для потребителя ..... 1 шт
7. Гарантийный талон ..... 1 шт
8. Руководство по эксплуатации ..... 1 шт



## Руководство по устранению неисправностей

Ниже приводится таблица, в которой описаны простые проверки, способные помочь Вам устранить большую часть проблем, могущих возникнуть при использовании данного устройства. Если нижеуказанные меры не помогли, обратитесь в сервисный центр или к ближайшему дилеру.

Неисправность	Причина	Решение
Нет питания	Зажигание машины не включено.	Если источник питания подключен надлежащим образом к выключателю машины, установите ключ зажигания в положение "ACC".
	Сгорел предохранитель.	Замените предохранитель.
Нет звука	Уровень громкости звука установлен на минимум.	Отрегулируйте громкость звука до необходимого уровня.
	Кабель не подключен надлежащим образом.	Проверьте подключение кабеля.
Плохое качество звучания	Угол установки устройства более 35 градусов.	Отрегулируйте угол установки, установив его менее 35 градусов.
	Диск загрязнен или имеет дефект.	Очистите диск или используйте новый диск.
Диск не загружается или не извлекается из устройства	В устройстве уже есть диск.	Извлеките диск из устройства, затем установите новый диск.
	Конденсация влаги.	В течение часа не пользуйтесь устройством, затем повторите попытку.
Устройство не считывает диск	Диск установлен верхней стороной вниз.	Установите диск стороной с маркировкой вверх.
	Диск загрязнен или имеет дефект.	Очистите диск или установите новый.
	Температура внутри автомобиля очень высокая.	Подождите, пока температура не станет нормальной.
Не работают кнопки	Встроенный микрокомпьютер не работает надлежащим образом.	Выполните перезапуск устройства с помощью кнопки RESET.
	Передняя панель установлена некорректно.	Установите заново переднюю панель.
Радиоприемник не работает	Кабель антенны не подключен к устройству.	Подключите к устройству кабель антенны.

# Общая информация

## Технические характеристики

### Общие

Источник питания	14 В
Максимальная выходная мощность	4 x 50 Вт
Размеры (Д x Ш x В)/вес	170 x 178 x 100 мм/3,4 кг
Угол установки	от 0 до +/- 35°
Диапазон рабочих температур	-20°C - +60°C

### Дисплей

Дисплей	Моторизованный 7-дюймовый TFT-дисплей
Разрешение	480 x 234
Формат	16:9
Регулируемый формат	16:9 или 4:3
Контрастность	300:1
Яркость	350 кд/м <sup>2</sup>
Угол обзора	120°

### FM радио

Частотный диапазон	65 МГц – 74 МГц/87,5 МГц – 108 МГц
Используемая чувствительность	10 дБ µВ
Память цифрового тюнера	24 станции

### AM радио

Частотный диапазон	522 – 1620 кГц
Память цифрового тюнера	12 станций

### ТВ тюнер

Система цветности	SECAM/NTSC/PAL
Диапазон	48,25 – 863,25 МГц

### Плеер

Поддержка носителей	DVD/DVD±R/DVD±RW, CD/CD-R/CD-RW, USB/SD/MMC
Форматы воспроизведения	DVD/SVCD/VCD/HDCD/MP3/CDDA/Picture-CD/JPEG/MPEG4 (DivX/XviD)

Электронная система стабилизации	40 с для CD, 120 с для MP3
Поддержка русских ID3-тегов	+

### Терминалы

2 стереовыхода RCA (2 В)	+
Видеовход (RCA)	+
Вход AUX (2 RCA)	+
Видеовыход	+
Выход на сабвуфер	+
Разъем для камеры заднего вида	+

Технические характеристики могут быть изменены заводом-изготовителем без предварительного уведомления. Указанные геометрические размеры имеют приблизительные значения.



