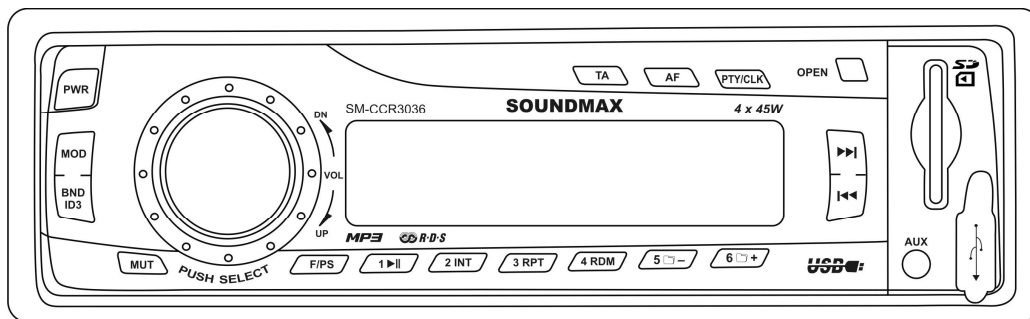


SM-CCR3036



USB/SD/MMC MEDIA PLAYER  
Instruction manual

USB/SD/MMC-**МЕДИАПЛЕЕР**  
Руководство по эксплуатации

Dear customer!

Thank you for purchasing our product. For safety, it is strongly recommended to read this manual carefully before connecting, operating and/or adjusting the product and keep the manual for reference in the future.

## Table of contents

---

Table of contents .....	2
Important safeguards .....	3
Accessories .....	4
Installation/connection .....	5
Control elements .....	10
LCD outline .....	11
General operations .....	12
Radio operations .....	14
USB/SD/MMC operations .....	17
Troubleshooting guide .....	19
Specification .....	20

## Important safeguards

---

- Read carefully through this manual to familiarize yourself with this high-quality sound system.
- The beginning of operation is the moment of the unit installation. Before use the device in winter it is recommended to heat up the passenger compartment during 20 seconds or to the operation temperature.
- Use the unit with the temperature that goes beyond the operation temperature greatly decreases the operation resource of the screen and other components of device and can result an outage.
- Disconnect the vehicle's negative battery terminal while mounting and connecting the unit.
- When replacing the fuse, be sure to use one with an identical amperage rating. Using a fuse with a higher amperage rating may cause serious damage to the unit.
- Do not attempt to disassemble the unit. Laser beams from the optical pickup are dangerous to the eyes.
- Make sure that pins or other foreign objects do not get inside the unit; they may cause malfunctions, or create safety hazards such as electrical shock or laser beam exposure.
- Do not use the unit in places where it can be exposed to water, moisture and dust.
- Do not open covers and do not repair yourself. Consult the dealer or an experienced technician for help.
- Make sure you disconnect the power supply and aerial if you will not be using the system for a long period or during a thunderstorm.
- Make sure you disconnect the power supply if the system appears to be working incorrectly, is making an unusual sound, has a strange smell, has smoke emitting from it or liquids have got inside it. Have a qualified technician check the system.
- The unit is designed for negative terminal of the battery, which is connected to the vehicle metal. Please confirm it before installation.
- Do not allow the speaker wires to be shorted together when the unit is switched on. Otherwise it may overload or burn out the power amplifier.

## Accessories

---

1. Receiver	1 pc
2. Front panel	1 pc
3. Protective case for the front panel	1 pc
4. ISO connector	1 pc
5. Mounting parts:	
Screw M5x5 mm	4 pcs
Release key	2 pcs
Mounting collar	1 pc
Trim frame	1 pc
6. Instruction manual	1 pc
7. Warranty card	1 pc
8. Consumer information	1 pc

## Installation/connection

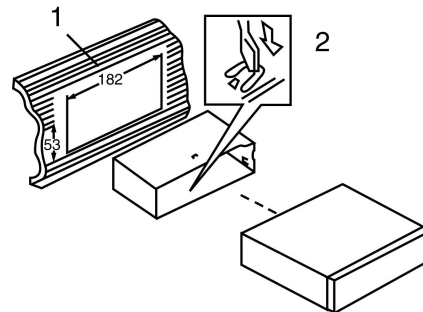
---

### General notes

- Choose the mounting location where the unit will not interfere with the normal driving function of the driver.
- Before finally installing the unit, connect the wiring and make sure that the unit works properly.
- Consult with your nearest dealer if installation requires the drilling of holes or other modifications of the vehicle.
- Install the unit where it does not get in the driver's way and cannot injure the passenger if there is a sudden stop, like an emergency stop.
- Avoid installing the unit where it would be subject to high temperature, such as from direct sunlight, or from hot air, from the heater, or where it would be subject to dust, dirt or excessive vibration.

### DIN front-mount (Method A)

- Install the sleeve into the dashboard; ensure it is installed with the correct side and there are no obstacles (wires, dashboard elements, etc) for the unit installation.
- After installing the sleeve into the dashboard, bend tabs fitting to the size of the dashboard to fix the sleeve in place.
- Make the necessary wire connections. Ensure the connections are correct.
- Install the unit into the sleeve until the side locks are fixed.



1. Dash board
2. Sleeve tab to bend

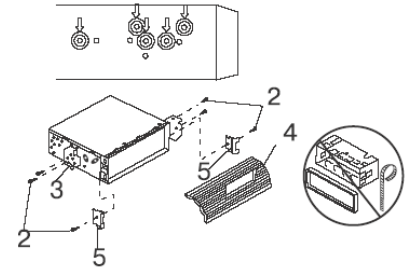
## Trim frame installation

To install the trim frame, press it to the unit body and push it to fix it in place. This should be done before installing the front panel; otherwise you are not able to install the trim frame. When the trim frame being installed, the side with the groove should face down and fixed first.

## 2. DIN rear-mount (Method B)

For this method, use the screw holes in the lateral sides of the unit. Fix the unit with the help of the factory radio mounting brackets.

1. Select a position in which the screw holes of the brackets (3) are aligned with the screw holes in the unit body, and screw in two screws (2) in each side.
2. Screw.
3. Factory radio mounting brackets.
4. Vehicle dashboard.
5. Lock (remove this part).



Note: The outer trim frame and mounting sleeve are not used for method of installation.

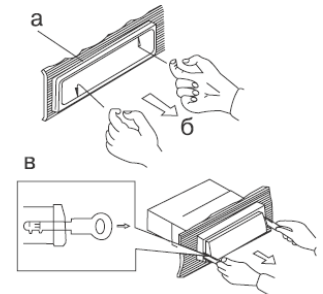
## Dismantling the unit

**a** – Trim frame

**b** – Frame uninstal direction

**B** – Release key insertion

1. Switch off the unit and detach the front panel.
2. Insert your fingers into the groove in the front side of the trim frame (apply some effort to detach the frame). Pull the frame to detach it.
3. Insert the supplied release keys into the both sides of the unit body to click, as shown in the picture. To extract the unit from the dashboard, pull the release keys or the unit body to pull it out. Before detaching the unit, ensure it is not fixed with the metal strap.



### Installing the front panel

Install the fastening hole on the right side of the front panel on the right fastening of the unit. Then insert the left fastening on the panel into the fixing hole on the left part of the unit. Press on the upper right part of the panel until a click. Ensure that the panel is properly fixed, otherwise error symbols may be displayed and some buttons may not function.

To detach the front panel, press OPEN button, then distract the left side of the panel from the fastening of the unit.

### Anti-theft system

The front panel of this unit can be stored in the included protective case when not in used and carried away when you leave the vehicle to deter theft.

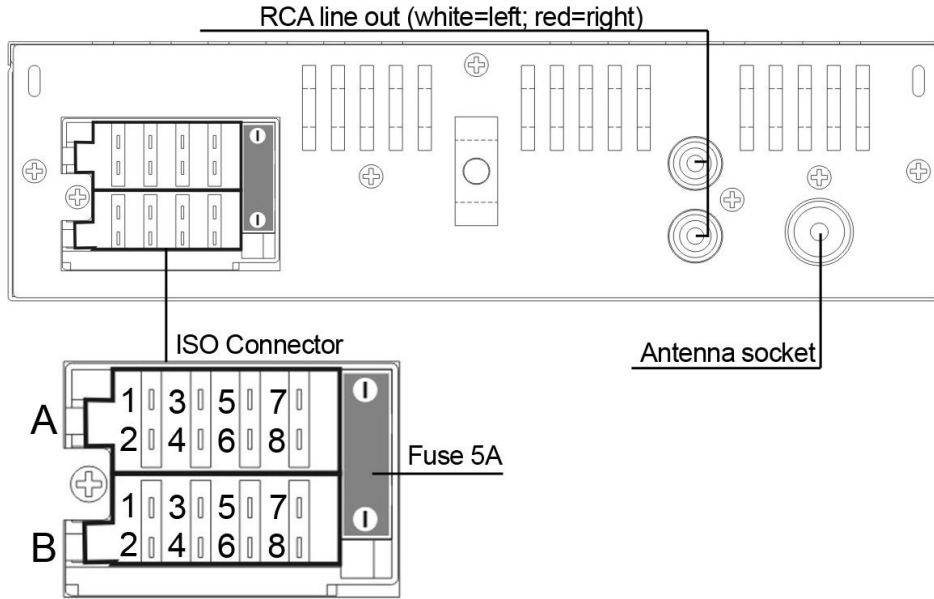
Switch off the power of the unit. Detach the front panel, then put it to the protective case and take it with you.

**Cautions:** The control panel can easily be damaged by shocks. After removing it, place it in a protective case and be careful not to drop it or subject it to strong shocks.

The rear connector that connects the main unit and the control panel is an extremely important part. Be careful not to damage it by pressing on it with fingernails, pens, screwdrivers, etc.

**Note:** If the control panel is dirty, wipe off the dirt with soft, dry cloth only. And use a cotton swab soaked in isopropyl alcohol to clean the socket on the back of the control panel.

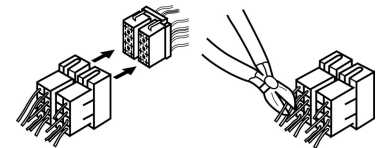
Connection diagram



Using the ISO Connector

1. If your car is equipped with the ISO connector, then connect the ISO connectors as illustrated.
2. For connections without the ISO connectors, check the wiring in the vehicle carefully before connecting, incorrect connection may cause serious damage to this unit.

Cut the connector, connect the colored leads of the power cord to the car battery as shown in the color code table below for speaker and power cable connections.





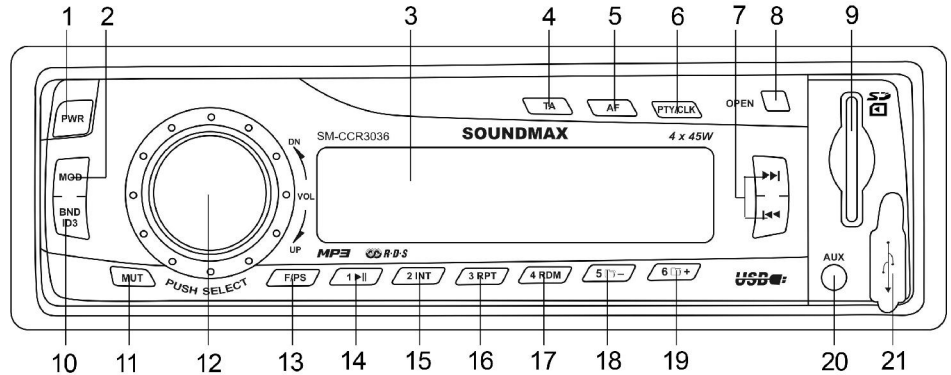
Location	Function	
	Connector A	Connector B
1	Rear right (+) – Blue	-
2	Rear right (-) - Blue/White	-
3	Front right (+) - Grey	-
4	Front right (-) - Grey/White	Battery +12V/Yellow
5	Front left (+) - Green	Power Antenna - Orange
6	Front left (-) - Green/White	-
7	Rear left (+) - Brown	Ignition/Red
8	Rear left (-) – Brown/White	Ground/Black

Note: Power antenna wire is intended for power supply of the antenna and for remote control of an additional amplifier.

## Control elements

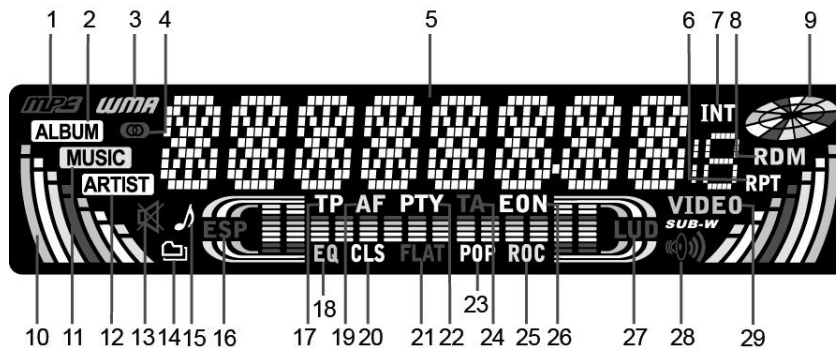
### Front panel

1. PWR button
2. MOD button
3. Display
4. TA button
5. AF button
6. PTY/CLK button
7. PREVIOUS/NEXT buttons
8. OPEN button
9. SD/MMC memory card slot
10. BND/ID3 button
11. MUT button
12. VOL knob/SEL button
13. F/PS button
14. 1/PLAY/PAUSE button
15. 2/INT button
16. 3/RPT button
17. 4/RDM button
18. 5/FOLDER- button
19. 6/FOLDER+ button
20. AUX in jack
21. USB port



## LCD outline

1. MP3 playback
2. Album name on
3. WMA playback
4. Stereo reception indicator
5. Digit display
6. Repeat playback
7. Intro playback
8. Random playback
9. Disc loading indicator (not active)
10. Playback graphic indicator
11. Song name on
12. Artist name on
13. Mute indicator
14. Folder name on
15. File name on
16. ESP indicator (not active)
17. TP function indicator
18. Equalizer indicator
19. AF function indicator
20. CLASS equalizer mode
21. FLAT equalizer mode
22. PTY function indicator
23. POP equalizer mode
24. TA function indicator
25. ROCK equalizer mode
26. EON function indicator
27. Loudness indicator



18. Equalizer indicator
19. AF function indicator
20. CLASS equalizer mode
21. FLAT equalizer mode
22. PTY function indicator
23. POP equalizer mode
24. TA function indicator
25. ROCK equalizer mode
26. EON function indicator
27. Loudness indicator
28. Subwoofer indicator (not active)
29. Video playback (not active)

## General operations

---

### Turning the unit on/off

Press PWR button to turn the unit on. Press the button again to turn the unit off.

### Mode select

Press MOD button repeatedly to select between Radio, auxiliary input, USB or Memory Card modes. Modes of operation are indicated on the display. Memory card and USB modes are not available unless a memory card or USB device is connected.

### Volume control

Adjust volume by rotating VOL knob (00-42).

### Mute function

Press MUT button to switch off the sound; press it again or rotate VOLUME knob to resume the sound.

### Loudness

Press SEL button repeatedly until LOUD ON (OFF) is displayed. Rotate VOL knob to select loudness ON or OFF. Activating this feature will enhance bass and treble frequencies when listening to music at low volumes.

### Audio parameter setting

Press SEL button repeatedly to select a parameter: VOL (volume) => BAS (bass) => TRE (treble) => BAL (balance) => FAD (fader). Rotate VOL knob to adjust each mode:

- Bass/Treble: from -10 to 10;
- Balance: L10 (left) to R10 (right);
- Fader: from R10 (rear) to F10 (front).

Note: When DSP is on, bass and treble are not adjustable.

### Preset EQ modes

Press SEL button repeatedly until EQ OFF is displayed. Rotate VOL knob to select between FLAT/CLASS/ROCK/POP and OFF equalizer modes.

### Beep function

Press SEL button repeatedly until BEEP ON (OFF) is displayed. Rotate VOL knob to select between ON (beep sound is heard when a button is pressed) and OFF (no sound is heard when a button is pressed).

### Clock

Press and hold PTY/CLK button to display the time on the screen. Then press and hold this button again; the time indication will blink. Press NEXT button to adjust hours; press PREVIOUS button to adjust minutes. To confirm the adjustment, press PTY/CLK button or leave the unit idle for several seconds.

### Preset volume

Press and hold SEL button, then press it until P-VOL is displayed. Rotate VOLUME regulator to adjust the preset volume level. This volume level will be active each time you switch on the unit.

### Aux In

AUX-in jack is intended for connecting external audio equipment to amplify the sound. If connection is made correctly, the audio signal from the external source will be translated through the acoustics of the head unit. This enables to adjust the volume and quality of the sounding. For example, you can connect an MP3-player to listen to tracks using the car acoustic system.

## Radio operations

---

### Band select

In Radio mode press BND/ID3 button to select a radio band: FM1, FM2, FM3 and AM1, AM2. 6 stations can be saved in each band.

### Manual/automatic tuning

- Press and hold PREVIOUS/NEXT buttons to display MANUAL. Now you can press these buttons repeatedly to adjust the needed frequency manually.
- To adjust the needed frequency automatically, press PREVIOUS/NEXT buttons or SCN button. The radio will seek to the next down or up strong and clear frequency station. Repeat this action to seek for other desired stations.

### Storing and recalling stations

#### To store a station

To store a station, select the desired band and station. Press and hold the desired number button for more than 2 seconds. When stored, the preset number will appear on the display. The station can be recalled anytime by pressing the corresponding number button.

#### Store stations automatically

- Press and hold F/PS button for more than 2 seconds to automatically find and store 6 strongest stations in the current band.
- After the 6 strongest stations are saved, press F/PS button; scanning of all stored station will begin.

### Mono/Stereo control (in FM radio mode)

Press SELECT button repeatedly until the display shows STEREO (MONO). Turn VOLUME knob to switch between stereo reception or mono reception.

Improvement of reception of distant stations can be done by selecting mono mode, which may cut down some reception noise.

### RDS function

RDS (Radio Data System) service availability varies with areas. Please understand if RDS service is not available in your area, the following service is not available, either.

### AF (Alternative Frequencies) function

Press AF button on the panel to turn the AF function on or off.

When the radio signal strength is poor, enabling the AF function will allow the unit to automatically search another station with the same PI (Program Identification) as the current station but with a stronger signal, so that you do not have to retune the stations when driving between different transmitter coverage areas. When AF symbol is on, it means RDS information is received; when AF symbol is flashing, it means RDS information is not yet received.

PS (Program Service name): the name of station will be displayed instead of frequency.

If RDS service is not available in your area, turn off the AF mode. Default setting is ON.

### TA (Traffic Alarm) function

Press TA button to turn TA function on or off.

In TA mode traffic program will be automatically searched, until the program is received. When traffic announcement is received the unit will temporarily switch to the tuner mode (regardless of the current mode) and begin broadcasting the announcement. After the traffic announcement is over, it will return to the previous mode and volume level. To interrupt traffic announcement press TA button shortly; it will not switch off the TA mode.

### PTY (Program Type)

This radio will allow you to select the type of program required, and will search for a station broadcasting that type of program.

Press PTY/CLK button to show the music type. Then press 1 - 6 number buttons to choose different music programs available.

Press PTY/CLK button twice to show the speech type. Then press 1 - 6 number buttons to choose different speech programs. Each number button will show 3 different speech programs for you to choose (see table below).

Button	Music group	Speech group
1	Pop, Rock	News, Affairs, Info
2	Easy, Light	Sport, Educate, Drama
3	Classics	Culture, Science, Varied
4	Jazz, Country	Weather, Finance, Children
5	Nation, Oldies	Social, Religion, Phone IN
6	Folk	Travel, Leisure, Document

When PTY is selected, the radio starts to search corresponding PTY information, and stops if the corresponding PTY information is detected. If no buttons are pressed within several seconds, previously selected PTY is searched. During 1 loop, if desired PTY is not found, the unit will return to previous mode. Press PTY/CLK button to switch the PTY function off.

#### Other parameter setting

To choose the corresponding option, press and hold SELECT button for 2 seconds, then press it repeatedly until the display shows the needed option. Turn VOLUME knob to choose the needed value. After choosing, leave the unit idle to activate.

TA SEEK/TA ALARM: In TA SEEK mode, the unit will seek for traffic announcement program when TA button is pressed; in TA ALARM the unit does not retune to TA information.

PI SOUND/PI MUTE: PI sound refers to the reception noise when the AF function tries to scan alternative frequency.

MASK DPI/MASK ALL: During MASK DPI mode, the unit will mask only the AF which has different PI, this is the default mode; during MASK ALL mode, the unit will mask the AF which has different PI and no RDS signal with high field strength.

RETUNE S/L: "RETUNE" refers to the time period the unit allows for radio scan when reception is interrupted. "S" represents a long time period, and "L" represents a short time period.



## USB/SD/MMC operations

---

### Connecting a USB-device/Memory card

Insert a USB device into the USB port of this unit. Or insert an SD/MMC memory card until a click into the memory card slot. To remove the card, press it until a click, then pull to remove.

Note: USB/SD/MMC supported capacity: up to 16 Gb.

For correct and satisfactory operation, licensed SD/MMC memory cards of famous brands should be used with this unit. Avoid using memory cards of unknown brands. Some models of USB devices cannot be supported by this unit due to incompatibility.

### Playback

When a USB or a memory card is first connected, playback will begin automatically.

Depending on the number of files and folders, the device may take several seconds to begin playback. If no MP3/WMA files are detected, "USB" or "SD" will be displayed.

### Track select

- Press NEXT button to skip to the beginning of the next track. Press PREVIOUS button to skips to the previous track.
- Press F/PS button; track number will blink on the display. Rotate VOLUME knob to select the track number. Press SELECT button to confirm your selection.

### Folder select

Press 5/FOLDER- button to select the previous folder. Press 6/FOLDER+ button to select the next folder.

### Fast forward/rewind

Press and hold PREVIOUS or NEXT button to rewind or fast forward the current track.

### Pause

Press 1/PLAY/PAUSE button to temporarily stop file playback. Press it again to resume playback.

## Intro playback

Press 2/INT button to play first 10 seconds of each track consequently. Press again to cancel.

## Repeat

Press 3/RPT button to continuously repeat the current track. Press again to cancel.

## Random

Press 4/RDM button to play all the tracks in the current folder in random order. Press again to cancel.

## ID3-tags

If an MP3 file contains ID3 information, such information will be displayed during the file playback. For display of various ID3-tag categories (folder/file/title/artist/album name) press BND/ID3 button repeatedly.

Note: This unit may not support some version of ID3-tag information.

## Troubleshooting guide

---

Below is a table describing simple measures that can help you eliminate most problems likely to emerge when this unit is in use. If below measures do not help, turn to a service center or to the nearest dealer.

Symptom	Cause	Solution
No power	Wiring is connected incorrectly.	Make correct wiring connection.
	The car ignition is not on.	If the power supply is properly connected to the car accessory, switch the ignition on.
	The fuse is blown.	Replace the fuse.
No sound	Volume is in minimum.	Adjust volume to the desired level.
	Wiring is not properly connected.	Check wiring connection.
The radio does not work	The antenna cable is not connected.	Insert the antenna cable properly.
The radio station automatic tuning does not work	The signals are too weak.	Select stations manually.

### Cleaning the unit body

Wipe with a soft cloth. If the cabinet is very dampen (not dropping wet) the cloth with a weak solution of soapy water, and then wipe clean.

## Specification

General	
Maximum power output:	4 x 45 W
Dimensions/weight:	170 x 115 x 50 mm/1.8 kg
Suitable speaker impedance:	4-8 Ohm
Fuse:	5 A
Storage support:	USB/SD/MMC up to 16 Gb
Temperature range	-20°C - +60°C
FM Stereo Radio	
Frequency range:	87.5 – 108.0 MHz
Stereo separation:	35 dB (1 kHz)
Preset memory stations:	18
AM Radio	
Frequency range:	530 kHz - 1710 kHz
Preset memory stations:	12
Usable sensitivity:	30 dBu
Output	
Stereo RCA line out	2 V

Specifications are subject to change without notice. Mass and dimensions are approximate.

## **Уважаемый покупатель!**

Благодарим Вас за покупку нашего изделия. Для обеспечения безопасности рекомендуется тщательно изучить настоящее руководство перед подключением, эксплуатацией и/или регулировкой изделия и сохранять руководство для использования в будущем.

## **Содержание**

---

Содержание .....	21
Меры предосторожности.....	22
Комплект поставки .....	23
Установка/подключение .....	24
Элементы управления .....	30
Описание ЖК-дисплея.....	31
Общие операции .....	32
Операции с радио.....	34
Операции USB-накопителями/картами памяти.....	38
Руководство по устранению неисправностей .....	40
Технические характеристики .....	40

## Меры предосторожности

---

- Внимательно изучите данное руководство, чтобы ознакомиться с устройством.
- Держите данное руководство под рукой в качестве справочника по правилам эксплуатации и мерам предосторожности. Не допускайте к использованию устройства посторонних лиц, не ознакомившихся и не усвоивших данные инструкции по эксплуатации.
- Не допускайте попадания жидкости на устройство. Это может повлечь поражение электрическим током. Кроме того, попадание жидкости или пыли в устройство может стать причиной его выхода из строя, перегрева и появления дыма. Оберегайте устройство от воздействия влаги.
- Убедитесь, что внутрь устройства не попали посторонние предметы. Они могут вызвать сбои в работе или стать причиной возгорания или поражения лазерным лучом.
- Началом эксплуатации устройства считается момент его установки в автомобиль. Перед началом использования устройства в зимний период рекомендуется прогреть салон автомобиля в течение 20 минут или до достижения эксплуатационного диапазона температуры устройства.
- Использование устройства при температуре, выходящей за рамки эксплуатационного диапазона температур, значительно снижает ресурс работы экрана и других компонентов устройства и может привести к выходу устройства из строя.
- При установке и подключении устройства отключите отрицательную клемму аккумулятора автомобиля.
- Устройство разработано таким образом, чтобы отрицательный вывод аккумулятора был подключен к корпусу транспортного средства. Пожалуйста, убедитесь в этом перед установкой.
- При замене предохранителя, убедитесь, что вы устанавливаете предохранитель с тем же номиналом. Используя предохранитель с повышенным значением тока, можно причинить значительные повреждения устройству.
- Не позволяйте проводам динамиков соприкасаться друг с другом или с корпусом автомобиля после включения устройства. В противном случае усилитель может быть перегружен или выйти из строя.
- Убедитесь, что источник питания и антенна отключены, если Вы не будете пользоваться устройством в течение длительного времени или во время грозы.

- Убедитесь, что источник питания отключен, если обнаружена неправильная работа устройства, устройство издает нехарактерные звуки, запах, выделяет дым или внутрь его попала жидкость. В этих случаях необходим квалифицированный технический осмотр устройства.
- Не устанавливайте уровень громкости, заглушающий внешние звуки дорожной обстановки и сигналы специального автотранспорта.
- При неполадках в работе устройства свяжитесь с торговым представителем или с ближайшим сервисным пунктом.

## **Комплект поставки**

---

1. Ресивер	1 шт
2. Передняя панель	1 шт
3. Защитный футляр для панели	1 шт
4. ISO коннектор	1 шт
5. Детали для установки:	
Кожух	1 шт
Ключ-съемник	2 шт
Декоративная рамка	1 шт
Винт (5X5 мм)	4 шт
6. Информация для потребителя	1 шт
7. Гарантийный талон	1 шт
8. Инструкция по эксплуатации	1 шт

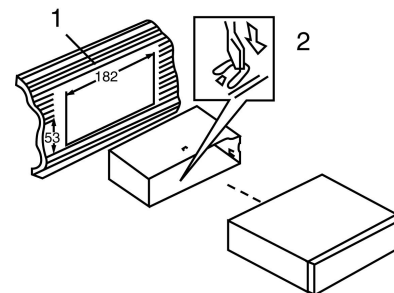
## Установка/подключение

### Общая информация

- Перед окончательной установкой устройства временно подключите все провода и убедитесь, что все соединения выполнены верно, а устройство и система работают правильно.
- Для обеспечения правильной установки устройства используйте только те детали, которые входят в комплект. Использование других приспособлений может привести к появлению сбоев в его работе.
- Если для установки устройства необходимо сверлить отверстия в кузове автомобиля или вносить какие-либо другие изменения в его конструкцию, проконсультируйтесь с продавцом.
- Устанавливайте устройство там, где оно не будет закрывать водителю обзор и отвлекать от дорожной обстановки и не сможет нанести травм пассажирам в случае внезапной остановки автомобиля, например, при экстренном торможении.
- Никогда не устанавливайте устройство в таких местах, где оно будет подвергаться воздействию высокой температуры, например, в местах попадания прямых солнечных лучей, в местах выхода горячего воздуха от отопителя автомобиля, в местах, где очень грязно или пыльно, или там, где устройство будет подвергаться сильной вибрации.
- Перед установкой устройства обязательно снимите переднюю панель.

### Установка устройства в приборную панель автомобиля «спереди» (Метод А)

- Установите монтажный кожух в приборную панель автомобиля, убедитесь, что он установлен правильной стороной и нет препятствий (провода, элементы приборной панели) для установки магнитолы.
- После установки монтажного кожуха в приборную панель отогните на нем металлические язычки, соответствующие толщине приборной панели. Это позволит закрепить кожух на месте.





- Подключите необходимые провода и разъемы. Убедитесь в правильности подключения.
  - Установите магнитолу в монтажный кожух до фиксации боковых защелок.
1. Приборная панель автомобиля
  2. Металлический язычок монтажного кожуха.

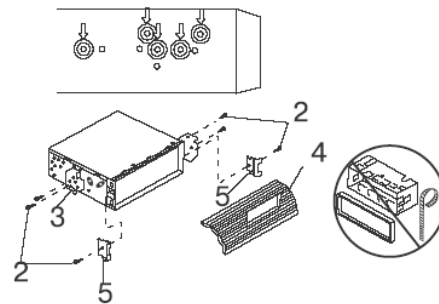
### Установка декоративной рамки

Для установки декоративной рамки прижмите ее к корпусу устройства и нажмите, чтобы вставить на место. Это необходимо сделать до установки передней панели, иначе вы не сможете установить декоративную рамку на место (При установке рамки на место направьте сторону с канавкой вниз и закрепите ее.).

### Установка устройства в приборную панель автомобиля «сзади» (Метод Б)

В данном случае установки используются отверстия для винтов на боковых сторонах устройства. Закрепите устройство с помощью штатных кронштейнов крепления радиоприемника.

1. Выберите такое положение, в котором отверстия для винтов на кронштейне (3) будут совмещены с отверстиями для винтов на корпусе устройства и вкрутите по два винта (2) с каждой стороны.
2. Винт.
3. Монтажный кронштейн штатного радиоприемника.
4. Приборная панель или консоль автомобиля.
5. Защелка (снимите эту деталь).



**Примечание:** При установке по методу Б монтажный кожух и внешняя декоративная рамка не используются.

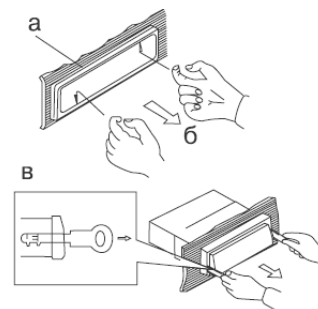
## Снятие устройства

а – Декоративная рамка

б – Направление снятия рамки

в – Установка ключей съемников

1. Выключите магнитолу и снимите переднюю панель.
2. Вставьте пальцы в канавку на передней стороне декоративной рамки (рамка снимается с небольшим усилием). Потяните рамку на себя, чтобы снять ее.
3. Вставьте входящие в комплект ключи съемники с обеих сторон корпуса устройства, как показано на рисунке, до щелчка. Для того чтобы извлечь устройство из приборной панели, потяните за съемники или магнитолу и вытяните её на себя (перед снятием убедитесь, что магнитола не зафиксирована с опорной планкой).



## Установка передней панели

Вставьте правый крепежный кронштейн ресивера в правый паз панели, затем вставьте левый кронштейн в левый паз. Поднимите панель и нажмите на верхнюю часть до щелчка. Убедитесь в том, что панель плотно закреплена в ресивере, иначе на дисплее могут отображаться символы ошибок или некоторые кнопки не будут функционировать.

Для отсоединения передней панели нажмите кнопку OPEN. Когда панель примет горизонтальное положение, отсоедините правую часть панели от крепежного кронштейна ресивера; затем отсоедините левую часть.

## Система против кражи

Наденьте крепежное отверстие правой стороны панели на крепление в правой стороне корпуса. Затем вставьте левый крепеж на панели в отверстие на левой стороне корпуса. Нажмите на правую верхнюю часть панели до щелчка. Убедитесь в том, что панель плотно закреплена в корпусе, иначе на дисплее могут отобразиться символы ошибок или некоторые кнопки не будут функционировать.

Для отсоединения передней панели нажмите кнопку OPEN, затем извлеките левую сторону панели из крепления ресивера. Потяните панель на себя.

**Внимание:** Панель может повредиться из-за внешних факторов: тряски, ударов. После снятия ее с устройства держите панель в защитном футляре и старайтесь не ронять и не наносить физических повреждений.

Очень важным элементом является коннектор на задней части панели. Не нажимайте на него ногтями, ручками, отвертками.

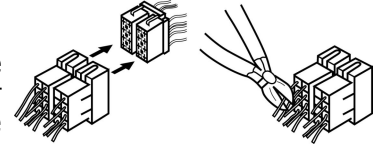
**Примечание:** Если панель загрязнилась или запылилась, протрите ее сухой чистой тканью. Для чистки разъема в задней части панели используйте тампон, смоченный изопропиловым спиртом.

## Схема электрических соединений



### Использование разъема ISO

1. Если в Вашем автомобиле есть разъем ISO, произведите подключение, как показано на рисунке.
2. Для подключений без разъемов ISO внимательно проверьте все провода перед подключением, неправильное подключение может привести к повреждению изделия. Обрежьте разъем, подключите цветные головки разъема к шнуру питания батареи в соответствии с приведенной таблицей.



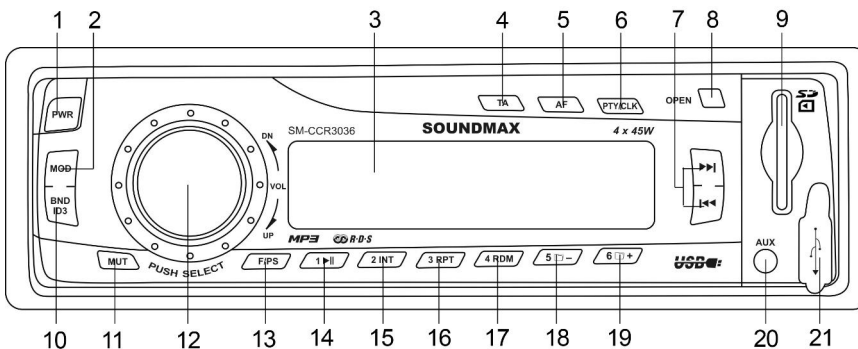
Номер	Функция	
	Разъем А	Разъем В
1	Тыл. прав. динамик (+) – Синий	-
2	Тыл. прав. динамик (-) - Синий/Белый	-
3	Фронт прав. динамик (+) – Серый	-
4	Фронт прав. динамик (-) – Серый/Белый	Питание +12В/Желтый
5	Фронт лев. динамик (+) – Зеленый	Питание антенный - Оранжевый
6	Фронт. лев. динамик (-) - Зеленый/Белый	-
7	Тыл. лев. динамик (+) – Коричневый	Зажигание/Красный
8	Тыл. лев. динамик (-) – Коричневый/Белый	Заземление/Черный

**Примечание:** Провод питания антенны предназначен для подачи питания на антенну и для удаленного управления дополнительным усилителем.

## Элементы управления

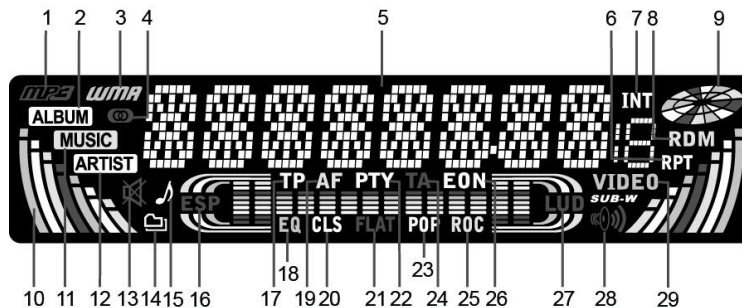
### Передняя панель

1. Кнопка PWR
2. Кнопка MOD
3. ЖК-дисплей
4. Кнопка TA
5. Кнопка AF
6. Кнопка PTY/CLK
7. Кнопки PREVIOUS/NEXT
8. Кнопка OPEN
9. Слот для карт памяти SD/MMC
10. Кнопка BND/ID3
11. Кнопка MUT
12. Регулятор VOL/Кнопка SEL
13. Кнопка F/PS
14. Кнопка 1/PLAY/PAUSE
15. Кнопка 2/INT
16. Кнопка 3/RPT
17. Кнопка 4/RDM
18. Кнопка 5/FOLDER-
19. Кнопка 6/FOLDER+
20. Вход AUX
21. USB-порт



## Описание ЖК-дисплея

1. Воспроизведение MP3
2. Отображение названия альбома
3. Воспроизведение WMA
4. Индикатор стерео приема сигнала
5. Цифровой дисплей
6. Индикатор повторного воспроизведения
7. Индикатор обзорного воспроизведения
8. Индикатор случайного воспроизведения
9. Индикатор загрузки диска (неактивен)
10. Графический индикатор воспроизведения
11. Отображение названия песни
12. Отображение имени артиста
13. Индикатор отключения звука
14. Отображение имени папки
15. Отображение имени файла
16. Индикатор системы электронной стабилизации воспроизведения (неактивен)
17. Индикатор функции TP
18. Индикатор работы эквалайзера
19. Индикатор функции AF
20. Режим эквалайзера CLASS
21. Режим эквалайзера FLAT
22. Индикатор функции PTY
23. Режим эквалайзера POP
24. Индикатор функции TA
25. Режим эквалайзера ROCK
26. Индикатор функции EON
27. Индикатор тонкомпенсации
28. Индикатор сабвуфера (неактивен)
29. Индикатор воспроизведения видео (неактивен)



## Общие операции

---

### Включение/выключение устройства

Нажмите кнопку PWR, чтобы включить устройство. Нажмите эту кнопку, чтобы выключить устройство.

### Выбор режима работы

Нажимайте кнопку MOD, чтобы выбрать режим работы: Радио, AUX, USB или карта памяти. Режимы работы «Карта памяти» и «USB» доступны только если к устройству подсоединен соответствующий носитель.

### Регулирование громкости

Вы можете отрегулировать уровень громкости звука (в диапазоне от 00 до 42) вращением регулятора VOL.

### Приглушение звука

Нажмите кнопку MUT, чтобы отключить звук. Нажмите эту кнопку еще раз или регулируйте громкость, чтобы включить звук.

### Тонкомпенсация

Нажимайте кнопку SEL до отображения на дисплее LOUD ON (OFF). Вращайте регулятор VOL, чтобы включить (ON) или отключить (OFF) функцию тонкомпенсации. Данная функция позволяет прослушивать музыку при низком уровне громкости без потери качества воспроизведения низких частот.

### Регулирование параметров аудио

Нажимайте кнопку SEL для выбора параметра аудио: VOL (громкость) => BAS (bass - низкие частоты) => TRE (treble - высокие частоты) => BAL (balance - баланс между правым и левым динамиками) => FAD (fader - баланс между фронтальным и тыловым динамиками). Вращайте регулятор VOL, чтобы отрегулировать выбранный параметр:

- Bass/Treble: от -10 до 10;
- Balance: от L10 (левый) до R10 (правый);
- Fader: от R10 (тыл) до F10 (фронт).



**Примечание:** При включенном эквалайзере регулирование высоких и низких частот невозможно.

### **Режимы эквалайзера**

Нажимайте кнопку SEL до отображения на дисплее EQ OFF. Вращайте регулятор VOL для выбора одного из режимов эквалайзера: FLAT, CLASS, ROCK и POP.

### **Функция Beep**

Нажимайте кнопку SEL до отображения на дисплее BEEP ON (OFF). Вращайте регулятор VOL для выбора ON (нажатия кнопок сопровождаются звуковым сигналом) или OFF (нажатия кнопок не сопровождаются звуковым сигналом).

### **Часы**

Нажмите и удерживайте кнопку PTY/CLK для отображения на дисплее часов. Нажмите и удерживайте эту кнопку еще раз; часы будут мигать. Нажимайте кнопку NEXT, чтобы выставить часы; нажимайте кнопку PREVIOUS, чтобы выставить минуты. Для подтверждения настроек нажмите кнопку PTY/CLK или в течение нескольких секунд не выполняйте никаких операций.

### **Громкость по умолчанию**

Нажмите и удерживайте кнопку SEL, затем нажимайте ее до отображения на дисплее P-VOL. Вращайте регулятор VOL, чтобы установить уровень громкости звука, который будет активен по умолчанию в дальнейшем при включении устройства.

### **Вход AUX**

Разъем AUX предназначен для подключения внешнего аудиоустройства с целью усиления звука. В случае правильного подключения аудиосигнал от внешнего источника будет транслироваться через акустику головного устройства. Это дает возможность регулировать громкость и качество звучания. Например, Вы можете подключить MP3-проигрыватель для прослушивания записей через акустику автомобиля.

## Операции с радио

---

### Выбор диапазона

В режиме радио нажимайте кнопку BND/ID3, чтобы выбрать диапазон: FM1, FM2, FM3, AM1 и AM2. В каждом диапазоне может быть сохранено до 6 радиостанций.

### Поиск радиостанций

- В режиме радио нажмите кнопку PREVIOUS или NEXT или кнопку SCN для автоматической настройки частоты радио. Приемник настроится на предыдущую или следующую станцию с сильным сигналом. Повторите действия для поиска других радиостанций.
- Для поиска нужной частоты вручную нажмите и удерживайте кнопку PREVIOUS или NEXT до отображения на дисплее MANUAL. Затем нажимайте эти кнопки многократно для пошаговой настройки частоты.

### Сохранение и вызов станций

#### Чтобы сохранить станцию:

Выберите диапазон и найдите нужную частоту. Нажмите и удерживайте кнопку с цифрой; станция будет сохранена под этим номером, который отобразится на дисплее. В дальнейшем для вызова этой станции нажмите соответствующую кнопку с цифрой.

#### Автосохранение станций

- Нажмите и удерживайте кнопку F/PS для запуска автоматического поиска и сохранения 6 станций с наиболее сильным сигналом в текущем диапазоне.
- После того, как 6 станций будут сохранены, нажмите кнопку F/PS для запуска сканирования сохраненных станций.

### Моно/стерео прием (для FM радио)

Нажимайте кнопку SEL, пока на дисплее не отобразится надпись STEREO или MONO. Вращайте регулятор VOL, чтобы включить режим стерео (STEREO) или моно (MONO) приема.

Достичь улучшения дистанционного сигнала можно, включив режим моно, что позволяет убрать лишние звуковые шумы.

## **Сервис RDS**

Сервис RDS (Система радио данных) доступен не во всех регионах. Имейте в виду, что если услуга RDS не доступна в Вашем регионе, то данная функция не будет работать.

### **Функция AF (альтернативные частоты)**

При слабом сигнале функция альтернативных частот позволяет приемнику настраиваться на другие станции с тем же идентификационным кодом, что и текущая станция, но с более сильным сигналом.

При этом вместо частоты на дисплее появится название станции.

Нажмите кнопку AF, чтобы включить или выключить функцию AF. При включенном режиме AF радио постоянно проверяет силу сигнала альтернативных частот, на которых может транслироваться RDS программа. Если сигнал слабый или исчезает, приемник будет автоматически искать другую частоту с этой программой.

Если служба RDS не доступна в Вашей местности, выключите режим AF. По умолчанию функция включена.

Если символ AF отображается на дисплее статично, это означает, что режим AF активен и идет прием информации RDS. Если символ мигает, режим активен, но информация RDS отсутствует. Если символ AF не отображается, это означает, что режим AF отключен.

### **Функция TA (программы о дорожном движении)**

В режиме радио нажмите кнопку TA для включения/отключения функции TA. Начнется автоматический поиск программ дорожного движения вне зависимости от текущего режима.

Когда программа будет найдена, начнется ее трансляция. Чтобы прервать трансляцию, нажмите кнопку TA; устройство вернется к предыдущему режиму; это не повлечет за собой отключения функции TA. Когда программа закончится, устройство автоматически вернется к текущему режиму.

### **ФункцияPTY (тип программы)**

FM-станции, поддерживающие сервис RDS, передают идентифицирующий сигнал типа программы.

Нажмите кнопку PTY/CLK, чтобы выбрать категорию музыкальных программ. Затем нажимайте кнопки с цифрами 1-6, чтобы выбрать разные типы музыкальных программ.

Нажмите кнопку PTY/CLK дважды, чтобы выбрать категорию информационных программ. Затем нажмите кнопки с цифрами 1-6, чтобы выбрать нужный тип информационных программ. Каждый номер содержит три разных информационных программы на выбор.

<b>Кнопка</b>	<b>Музыкальные программы</b>		<b>Информационные программы</b>	
1	Pop, Rock	Поп-музыка, Рок-музыка	News, Affairs, Info	Новости, Текущая информация, Общая информация
2	Easy, Light	Легкая музыка, Легкая классическая музыка	Sport, Educate, Drama	Спортивные новости, Образовательные программы, Радиопостановки и сериалы
3	Classics	Классическая музыка	Culture, Science, Varied	Культурные программы, Наука и техника, Развлекательные программы
4	Jazz, Country	Джаз, Музыка кантри	Weather, Finance, Children	Метеорологическая информация, Коммерция, Программы для детей
5	Nation, Oldies	Национальная музыка, Музыка ретро	Social, Religion, Phone IN	Социальные новости, Религиозные программы, Ток-шоу
6	Folk	Народная музыка	Travel, Leisure, Document	Программы для путешественников, Хобби и развлечения, Документальные программы

При включенной функции PTY приемник начинает поиск соответствующего типа программы; поиск останавливается, когда программа найдена. Если в течение нескольких секунд ни одна программа не была выбрана, приемник настроится на предыдущую программу. Если за один цикл нужный тип программы не найден, приемник вернется к текущему режиму.

### **Дополнительные функции**

Для выбора нужной функции нажмите и удерживайте кнопку SEL, после чего нажимайте ее до отображения на дисплее нужной функции. Вращайте регулятор VOL, чтобы выбрать нужную опцию.

После осуществления выбора несколько секунд не нажимайте никаких кнопок, чтобы изменения активировались.

#### Функция TA SEEK/TA ALARM

В режиме TA SEEK устройство выполнит поиск программ о дорожном движении при нажатии кнопки TA; TA ALARM: когда выбран данный режим, функция автоматической перенастройки радиоприемника не работает. Вместо этого радиоприемник включает звуковое оповещение.

#### PI SOUND/MUTE

PI sound: Если автомобиль перемещается в критической зоне, может появиться эффект частого переключения между двумя разными радиостанциями, потому что может быть принят другой код PI на той же частоте. Когда в описанной выше ситуации произойдет переключение на другую радиостанцию с другим кодом PI, в течение короткого времени будет слышна трансляция данной радиостанции.

PI mute: В описанном выше случае на короткое время звучание будет отключено.

#### Функция MASK DPI/MASK ALL

После включения режима AF (поиск альтернативных частот с той же программой), программа, которую Вы прослушиваете, может быть замещена другой программой, которая вещает на той же частоте. Чтобы этого избежать, активируйте функцию MASK DPI. В режиме MASK DPI устройство маскирует только альтернативные частоты с разными информационными программами. В режиме MASK ALL устройство маскирует и информационные программы, и станции, не поддерживающие RDS.

#### RETUNE L/RETUNE S:

«RETUNE» означает временной интервал прерывания радиосигнала для сканирования. «S» означает короткий интервал; «L» означает длинный интервал.

**Примечание:** Режим Retune для режима TA активен только для TA SEEK.

## Операции USB-накопителями/картами памяти

---

### Подключение USB-накопителя/карты памяти

Вставьте USB-накопитель в USB-порт данного устройства. Вставьте карту памяти SD/MMC в слот для карт памяти до щелчка. Для извлечения карты из слота нажмите на нее до щелчка, затем вытяните.

**Примечание:** Устройство поддерживает USB/SD/MMC-накопители объемом до 16 Гб.

Для корректной работы устройства используйте лицензионные карты памяти известных производителей. Избегайте использования нелегальных карт памяти. Некоторые модели USB-накопителей могут быть несовместимы с данным устройством.

### Воспроизведение

После подсоединения USB-накопителя или карты памяти к данному устройству воспроизведение содержащихся на них файлов начнется автоматически. В зависимости от количества файлов и папок на носителе чтение его устройством может занять несколько секунд. Если файлы MP3/WMA обнаружены не будут, на дисплее будут отображаться надписи "USB" или "SD".

### Выбор трека

- Нажмите кнопку NEXT, чтобы перейти к следующему треку. Нажмите кнопку PREVIOUS, чтобы перейти к предыдущему треку.
- Нажмите кнопку F/PS; на дисплее будет мигать номер трека. Вращайте регулятор VOL для выбора номера трека. Нажмите кнопку SEL для подтверждения выбора.

### Выбор папки

Нажмите кнопку 5/FOLDER-, чтобы выбрать предыдущую папку. Нажмите кнопку 6/FOLDER+, чтобы выбрать следующую папку.

### Перемотка вперед/назад

Нажмите и удерживайте кнопку PREVIOUS или NEXT для перемотки трека назад или вперед.

**Пауза**

Нажмите кнопку 1/PLAY/PAUSE для временной приостановки воспроизведения. Нажмите кнопку еще раз, чтобы продолжить воспроизведение.

**Обзорное воспроизведение**

Нажмите кнопку 2/INT для последовательного воспроизведения первых 10 секунд каждого трека. Нажмите эту кнопку еще раз для отмены.

**Повтор**

Нажмите кнопку 3/RPT для повторного воспроизведения текущего файла. Нажмите еще раз для отмены.

**Случайное воспроизведение**

Нажмите кнопку 4/RDM для воспроизведения треков в текущей папке в случайном порядке. Нажмите еще раз для отмены.

**ID3-теги**

Если MP3 файл содержит информацию ID3, то такая информация будет отображаться на дисплее во время воспроизведения файла. Для выбора отображения определенной категории ID3-тегов (название альбома, имя файла и др.) нажимайте кнопку BND/ID3.

**Примечание:** Устройство может не поддерживать некоторые форматы ID3-тегов.

## Руководство по устранению неисправностей

Ниже приводится таблица, в которой описаны простые проверки, способные помочь Вам устранить большую часть проблем, могущих возникнуть при использовании данного устройства. Если нижеуказанные меры не помогли, обратитесь в сервисный центр или к ближайшему дилеру.

Неисправность	Причина	Решение
Нет питания	Неправильно подсоединены провода.	Выполните подсоединение электропроводки правильно.
	Зажигание машины не включено.	Если источник питания подключен надлежащим образом к выключателю машины, установите ключ зажигания в положение "ACC".
	Предохранитель сгорел.	Замените предохранитель.
Нет звука	Громкость звука установлена на минимум.	Отрегулируйте громкость звука до необходимого уровня.
	Неправильно подсоединены провода.	Выполните подсоединение электропроводки правильно.
Радиоприемник не работает	Кабель антенны не подключен к устройству.	Подключите к устройству кабель антенны.
Не работает автонастройка радиостанций	Радиостанции имеют слишком слабый сигнал.	Настраивайтесь на станции вручную.

### Чистка корпуса устройства

Протирайте поверхности устройства мягкой тканью. Не мочите корпус. Если корпус очень загрязнен, используйте ткань, слегка смоченную мыльным раствором, и затем вытрите корпус сухой тканью.

### Технические характеристики

Общие	
Максимальная выходная мощность:	4 x 45 Вт
Размеры/вес:	170 x 115 x 50 мм/1,8 кг
Требуемый импеданс динамика:	4-8 Ом



Предохранитель:	5 А
Поддержка носителей:	USB/SD/MMC до 16 Гб
Диапазон температур:	-20°C - +60°C
<b>FM-радио</b>	
Частотный диапазон:	87,5 – 108,0 МГц
Разделение стерео:	35 дБ (1 кГц)
Память цифрового тюнера:	18 станций
<b>AM-радио</b>	
Частотный диапазон:	530 кГц - 1710 кГц
Память цифрового тюнера:	12 станций
Используемая чувствительность:	30 дБ
<b>Выход</b>	
Линейный стереовыход RCA	2 В

**Технические характеристики могут быть изменены заводом-изготовителем без предварительного уведомления. Указанные масса и геометрические размеры имеют приблизительные значения.**



AI49

Уважаемый потребитель! Дата производства изделия содержится в серийном номере, указанном на упаковке, в гарантийном талоне и на корпусе изделия. Шестая, седьмая и восьмая цифры обозначают год (в интервале 2010 – 2019) и месяц производства.

Пример:

год  
 производства (2011)  
 ↓  
 R31982101-01792  
 ↑  
 месяц  
 производства (январь)