

CD/MP3 receiver  
Instruction manual

CD/MP3-ресивер  
Руководство по эксплуатации

Dear customer!

Thank you for purchasing our product. For safety, it is strongly recommended to read this manual carefully before connecting, operating and/or adjusting the product and keep the manual for reference in the future.

## Table of contents

TABLE OF CONTENTS .....	2
IMPORTANT SAFEGUARDS .....	3
ACCESSORIES .....	4
INSTALLATION/CONNECTION .....	5
CONTROL ELEMENTS .....	10
LCD LAYOUT .....	11
GENERAL OPERATIONS .....	12
RADIO OPERATIONS .....	14
DISC/USB/SD OPERATIONS .....	17
HANDLING COMPACT DISCS .....	20
CLEANING .....	20
TROUBLESHOOTING GUIDE .....	21
SPECIFICATION .....	22

## Important safeguards

- Read carefully through this manual to familiarize yourself with this high-quality sound system.
- The beginning of operation is the moment of the unit installation. Before use the device in winter it is recommended to heat up the passenger compartment during 20 seconds or to the operation temperature.
- Use the unit with the temperature that goes beyond the operation temperature greatly decreases the operation resource of the screen and other components of device and can result an outage.
- Disconnect the vehicle's negative battery terminal while mounting and connecting the unit.
- When replacing the fuse, be sure to use one with an identical amperage rating. Using a fuse with a higher amperage rating may cause serious damage to the unit.
- Do not attempt to disassemble the unit. Laser beams from the optical pickup are dangerous to the eyes.
- Make sure that pins or other foreign objects do not get inside the unit; they may cause malfunctions, or create safety hazards such as electrical shock or laser beam exposure.
- Do not use the unit in places where it can be exposed to water, moisture and dust.
- Do not open covers and do not repair yourself. Consult the dealer or an experienced technician for help.
- Make sure you disconnect the power supply and aerial if you will not be using the system for a long period or during a thunderstorm.
- Make sure you disconnect the power supply if the system appears to be working incorrectly, is making an unusual sound, has a strange smell, has smoke emitting from it or liquids have got inside it. Have a qualified technician check the system.
- The unit is designed for negative terminal of the battery, which is connected to the vehicle metal. Please confirm it before installation.
- Do not allow the speaker wires to be shorted together when the unit is switched on. Otherwise it may overload or burn out the power amplifier.

## Accessories

- 1. Receiver 1 pc
- 2. Front panel 1 pc
- 3. Carrying case 1 pc
- 4. Connector 2 pcs
- 5. Mounting parts:
  - Hexagon nut 1 pc
  - Mounting sleeve 1 pc
  - Release keys 2 pcs
  - Metal bar 1 pc
  - Outer trim frame 1 pc
  - Plain washer 1 pc
  - Spring washer 1 pc
  - Rear mounting bolt 1 pc
  - Screw M5x21 4 pcs
  - Screw M5x5 4 pcs
- 6. Consumer information 1 pc
- 7. Warranty card 1 pc
- 8. Instruction manual 1 pc

## Installation/Connection

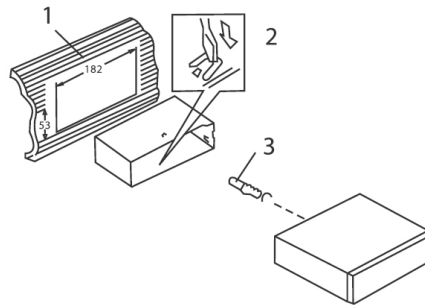
- Choose the mounting location where the unit will not interfere with the normal driving function of the driver.
- Before finally installing the unit, connect the wiring and make sure that the unit works properly.
- Consult with your nearest dealer if installation requires the drilling of holes or other modifications of the vehicle.
- Install the unit where it does not get in the driver's way and cannot injure the passenger if there is a sudden stop, like an emergency stop.
- If installation angle exceeds 30° from horizontal, the unit may not perform properly.
- Avoid installing the unit where it would be subject to high temperature, such as from direct sunlight, or from hot air, from the heater, or where it would be subject to dust, dirt or excessive vibration.

### Din Front/Rear-Mount

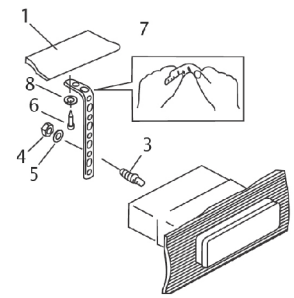
This unit can be properly installed either from 'Front' (conventional DIN Front-mount) or 'Rear' (DIN Rear-mount installation, utilizing threaded screw holes at the sides of the unit chassis). For details, refer to the following illustrated installation methods.

#### DIN FRONT-MOUNT (Method A)

1. Car dashboard
2. Sleeve
3. Screw
4. Nut
5. Spring washer
6. Screw
7. Metal strap
8. Flat washer



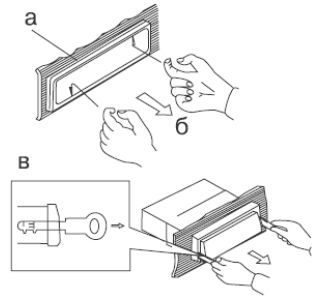
1. Install the sleeve into the dashboard; ensure it is installed with the correct side and there are no obstacles (wires, dashboard elements, etc) for the unit installation.
2. After installing the sleeve into the dashboard, bend tabs fitting to the size of the dashboard to fix the sleeve in place.
3. Use the metal strap to fix the rear side of the unit. Determine a place for fixing and install the strap as shown in the picture. You can bend the strap to the needed angle with your hands.
4. Make the necessary wire connections. Ensure the connections are correct.
5. Install the unit into the sleeve until the side locks are fixed.



Dismantling the unit

- a – Trim frame
- 6 – Frame uninstal direction
- B – Release key insertion

1. Switch off the unit and detach the front panel.
2. Insert your fingers into the groove in the front side of the trim frame (apply some effort to detach the frame). Pull the frame to detach it.
3. Insert the supplied release keys into the both sides of the unit body to click, as shown in the picture. To extract the unit from the dashboard, pull the release keys or the unit body to pull it out. Before detaching the unit, ensure it is not fixed with the metal strap.



Trim frame installation

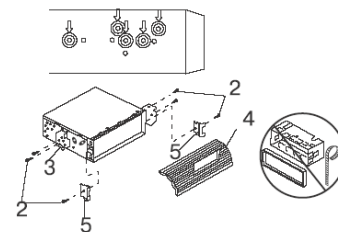
To install the trim frame, press it to the unit body and push it to fix it in place. This should be done before installing the front panel; otherwise you are not able to install the trim frame. When the trim frame being installed, the side with the groove should face down and fixed first.

## 2. DIN REAR-MOUNT (Method B)

For this method, use the screw holes in the lateral sides of the unit. Fix the unit with the help of the factory radio mounting brackets.

1. Select a position in which the screw holes of the brackets (3) are aligned with the screw holes in the unit body, and screw in two screws (2) in each side.
2. Screw.
3. Factory radio mounting brackets.
4. Vehicle dashboard.
5. Lock (remove this part).

Note: The outer trim frame and mounting sleeve are not used for method of installation.



### Installing the front panel

Install the fastening hole on the right side of the front panel on the right fastening of the unit. After that, press on the left part of the panel until a click. Ensure that the panel is properly fixed, otherwise error symbols may be displayed and some buttons may not function.

To detach the front panel, press OPEN button, then distract the right side of the panel from the fastening of the unit.

### Anti-theft system

The front panel of this unit can be stored in the included protective case when not in used and carried away when you leave the vehicle to deter theft.

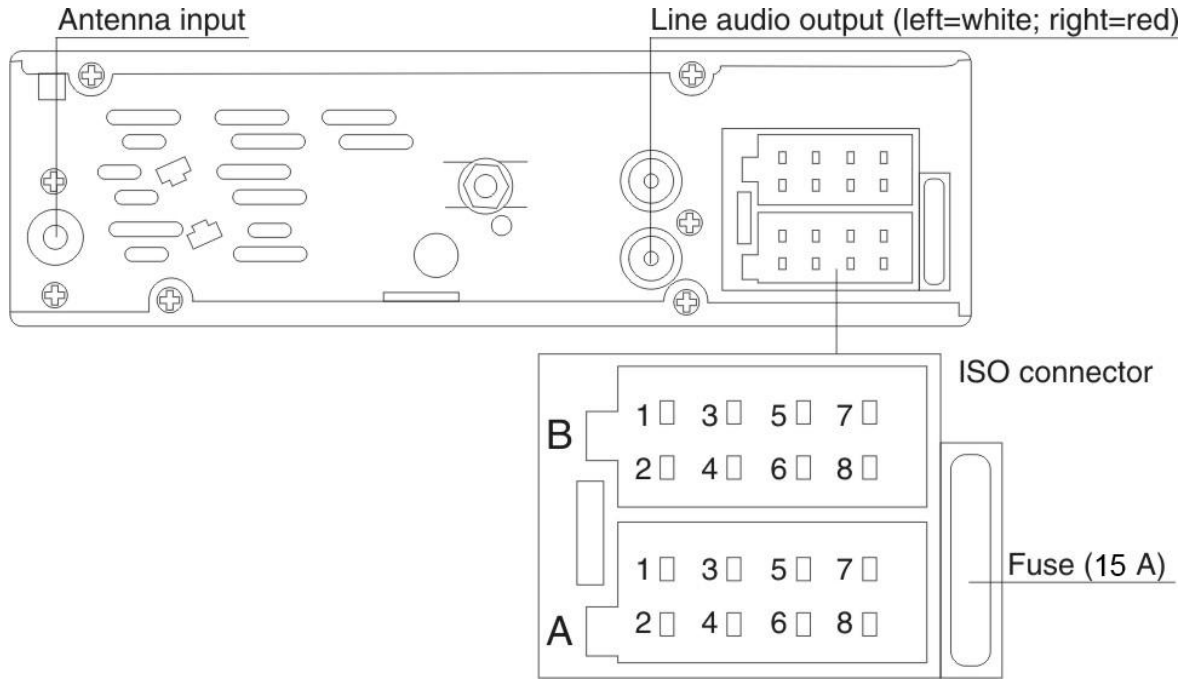
Switch off the power of the unit. Detach the front panel, then put it to the protective case and take it with you.

Cautions: The control panel can easily be damaged by shocks. After removing it, place it in a protective case and be careful not to drop it or subject it to strong shocks.

The rear connector that connects the main unit and the control panel is an extremely important part. Be careful not to damage it by pressing on it with fingernails, pens, screwdrivers, etc.

Note: If the control panel is dirty, wipe off the dirt with soft, dry cloth only. And use a cotton swab soaked in isopropyl alcohol to clean the socket on the back of the control panel.

## Connection diagram



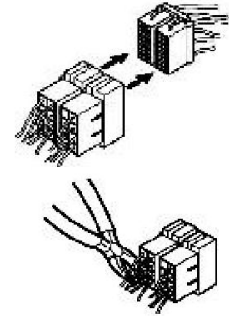
### Notes:

- In spite of having any kinds of speaker system, must use 4 ohms impedance of speaker to reduce the distortion during high volume level.
- It is prohibited making the conductors of auto antenna and ground touch with each other.



## Using the ISO Connector

1. If your car is equipped with the ISO connector, then connect the ISO connectors as illustrated.
2. For connections without the ISO connectors, check the wiring in the vehicle carefully before connecting, incorrect connection may cause serious damage to this unit.  
Cut the connector, connect the colored leads of the power cord to the car battery as shown in the colour code table below for speaker and power cable connections.



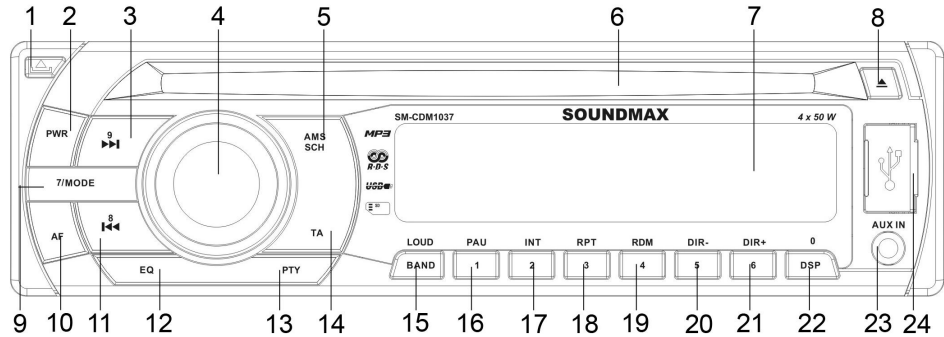
Location	Function	
	Connector A	Connector B
1	-	Rear Right(+)--Violet
2	-	Rear Right(-)--Violet/Black stripe
3	-	Front Right(+)--Grey
4	Battery 12V (+)/yellow	Front Right(-)--Grey/Black stripe
5	Auto Antenna/blue	Front Left(+)--White
6	-	Front Left((-)--White/Black stripe
7	Ignition/red	Rear Left(+)--Green
8	Ground/black	Rear Left(-)--Green/Black Stripe

Power antenna wire is intended for power supply of the antenna and for remote control of an additional amplifier.

## Control elements

### Front panel

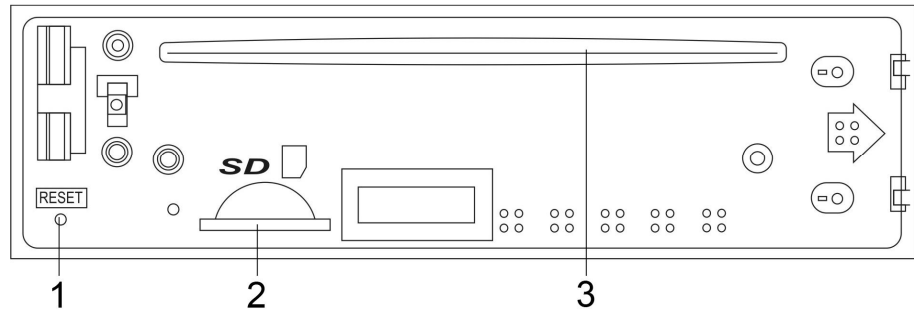
1. OPEN button
2. PWR button
3. 9/NEXT button
4. SELECT button/VOLUME regulator
5. AMS/SCH button
6. Disc slot
7. Display
8. EJECT button
9. 7/MODE button
10. AF button
11. 8/PREVIOUS button
12. EQ button
13. PTY button
14. TA button
15. LOUD/BAND button
16. 1/PAU button
17. 2/INT button
18. 3/RPT button
19. 4/RDM button
20. 5/DIR- button
21. 6/DIR+ button
22. 0/DSP button
23. AUX input jack
24. USB port



### Inner panel

Press OPEN button on the front panel to detach it.

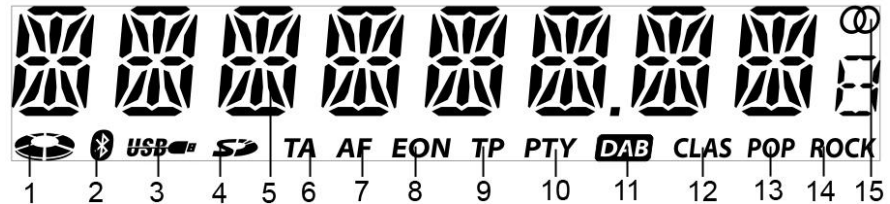
1. RESET button (hole)
2. SD card slot
3. Disc slot



Pressing RESET hole will erase the clock setting and stored stations.

### LCD layout

1. Playback indicator
2. Not active
3. USB playback indicator
4. Memory card playback indicator
5. Digit display (shows radio frequency, track number etc.)
6. TA function indicator
7. AF function indicator
8. EON function indicator
9. TP function indicator
10. PTY function indicator
11. Not active
12. Classic equalizer mode



13. Pop equalizer mode
14. Rock equalizer mode
15. Stereo mode indicator

## General operations

### Power button

Press PWR button on the panel to switch the unit on. Press this button to switch the unit off.

### Volume control

Rotate VOLUME regulator to adjust volume level.

### Audio settings adjustment

Press SELECT button shortly and repeatedly to select an option: BAS (bass) => TRE (treble) => BAL (balance) => FAD (fader) => BEEP => TAVOL => STEREO/MONO => EON ON/OFF => VOL (volume). Rotate VOLUME regulator to adjust bass, treble, balance or fader.

Note: When equalizer is on, bass and treble adjustment is not available.

Caution: In each mode, the waiting time is several seconds, and when the waiting time is over, it returns to the last display mode of radio or playback mode.

### Mode selection

Press MODE button to choose a sound source: RADIO => Disc => USB => Memory card => AUX.

### Reset function

RESET button (hole) is pressed with either a ballpoint pen or thin metal object. RESET function is to be activated for the following reasons:

- Initial installation of the unit when all wiring is completed.
- All the function buttons do not operate.
- Error symbol on the display.

### Clock adjustment

Press and hold DSP button to go to clock adjustment mode. Hour digits will blink. Press PREVIOUS or NEXT button to adjust hours. Press DSP button to go to minute adjustment; minute digits will blink. Press PREVIOUS or NEXT button to adjust minutes. Press DSP button to confirm clock setting.

### Loudness control

Press and hold LOUD/BAND button until LOUD ON is displayed. LOUD function is to emphasize the bass output. Press and hold this button again to switch loudness off.

### Equalizer setting

Press repeatedly EQ button to choose between sound effects: FLAT => POP => ROCK => CLASSICS => EQ OFF.

### Beep

Press repeatedly SELECT button until the display shows BEEP ON (OFF). Rotate VOLUME regulator to select between BEEP ON (beep sound is heard when any button is pressed) or BEEP OFF (no beep sound when buttons are pressed).

### Information display

Press DSP button repeatedly to display various information on the screen in following consequence:

#### In case of receiving a RDS station

- In radio mode: Clock time => Frequency => PTY => PS
- In USB/SD mode: Playback => Clock time => Frequency => PTY ("NO PTY" if no PTY is received) => PS

#### In case of receiving a non-RDS station

- In radio mode: Clock time => Frequency => 'NO PTY'
- In USB/SD mode: Playback => Clock time => Frequency => 'NO PTY'

Each displaying time is several seconds, and come back to 1'st position after several seconds.

### AUX in jack

AUX-in jack is intended for connecting external audio equipment to amplify the sound. If connection is made correctly, the audio signal from the external source will be translated through the acoustics of the head unit. This enables to adjust the volume and quality of the sounding. For example, you can connect an MP3-player to listen to tracks using the car acoustic system.

# SOUNDMAX

## Radio operations

### Band selection

Press repeatedly LOUD/BAND button to select your desired radio band in radio mode: FM1, FM2, FM3, FM4 (OIRT), MW1 (AM1), MW2 (AM2). Each band can store up to 6 preset stations, for the total of 36 preset memory stations.

### Tuning

- Press PREVIOUS or NEXT button; the unit will automatically search a nearest station with a strong signal down or up the range and it stops when finds a station. To search next station, repeat this procedure. To stop the automatical search, press PREVIOUS or NEXT button.
- Press and hold PREVIOUS or NEXT button until MANUAL is displayed. Then press PREVIOUS/NEXT buttons to change the frequency manually step by step.

### Automatic store/Scan

- Automatic store: Press and hold AMS/SCH button, the receiver will automatically find and save 6 strong signal stations for the current subband.
- Scan: Press AMS/SCH button once to scan the saved stations in each subband of the current band.

### Programming stations

There are 6 numbered preset buttons, under which you can store and recall stations for each band. Select the needed station, then press and hold a preset button. The station will be saved in the memory under the corresponding number. To recall a stored station, press the corresponding preset button.

### Mono/Stereo control (in FM radio mode)

Press repeatedly SELECT button until the display shows STEREO (MONO). Rotate VOLUME regulator to select between STEREO or MONO. STEREO means stereo reception of the signal; MONO means mono reception mode. Improvement of reception of distant stations can be done by selecting mono mode, which may cut down some reception noise.

## Radio Data System

RDS (Radio Data System) service availability varies with areas. Please understand if RDS service is not available in your area, the following service is not available, either.

### AF (Alternative Frequencies) function

Press AF button to turn the AF function on or off. When the radio signal strength is poor, enabling the AF function will allow the unit to automatically search another station with the same PI (Program Identification) as the current station but with stronger signal strength, so that you do not have to retune the stations when driving between different transmitter coverage areas. When AF symbol is on, it means RDS information is received; when AF symbol is flashing, it means RDS information is not yet received.

PS (Program Service name): the name of station will be displayed instead of frequency.

If RDS service is not available in your area, turn off the AF mode.

### EON ON/OFF mode

Press repeatedly SELECT button until the display shows EON ON (OFF). Rotate VOLUME regulator to select between EON ON or OFF. EON (Enhanced Other Networks) function enables the receiver to control other stations broadcasting traffic information.

### TA (Traffic Alarm) function

Press TA button to turn TA function on or off.

In TA mode traffic program will be automatically searched, until the program is received. When traffic announcement is received the unit will temporarily switch to the tuner mode (regardless of the current mode) and begin broadcasting the announcement. After the traffic announcement is over, it will return to the previous mode and volume level. To interrupt traffic announcement press TA button shortly; it will not switch off the TA mode.

### PTY (Program Type)

This radio will allow you to select the type of program required, and will search for a station broadcasting that type of program.

Press PTY button to show the speech type. Then press 1 - 6 number buttons to choose different speech programs available. Press PTY button twice to show the music type program. Then press 1 - 6 number

buttons to choose different music programs. Each number button will show 3 different speech programs for you to choose.

When PTY is selected, the radio starts to search corresponding PTY information, and stops if the corresponding PTY information is detected. If no buttons are pressed within several seconds, previously selected PTY is searched. During 1 loop, if desired PTY is not found, the unit will return to previous mode. Press PTY button for the 3rd time to switch the PTY function off.



## Disc/USB/SD operations

### Insert/Eject discs

- Insert a disc into the disc slot with label side up. The disc will be automatically loaded into the unit. The first file in the root folder will be played.
- Press EJECT button to eject the disc from the slot. If the disc is not removed from the slot within several seconds, it will be automatically loaded into the slot again. When the disc is ejected and removed, the unit will automatically switch to another mode.

### SD card slot

Detach the front panel. Carefully insert the SD card into the card slot on the inner panel. Attach the panel. Unit starts playback automatically. To disconnect the memory card, press it until a click, and then carefully pull it out from the slot.

### USB port

Carefully connect a USB driver to the USB jack on the front panel. Unit starts playback automatically.

### USB/SD notes

USB format supports 1.1 and 2.0. Capacity: up to 16 GB. SD cards capacity: up to 16 GB. Supported file systems are FAT and FAT32.

Note: Because of the great variety of products with SD-card slots and their sometimes quite manufacturer-specific functions the producer can neither guarantee that all devices will be recognized nor that all operating options that are possible in theory will actually work.

### ID3-tag information

If an MP3 file has ID3-tag information of compatible format in English or Russian, it will be displayed on the LCD. The ID3-tag information may include File, Folder, Music, Album or Artist data.

### Next/Previous track

Press NEXT or PREVIOUS buttons to choose next or previous track. Press and hold this button to choose forward playback or backward playback; release the button to return to normal playback.

## Play/Pause

Press PAUSE/1 button to pause the playback, press one more time to resume normal playback.

## Intro playback

When INT/2 button is pressed, the first several seconds of each track on the storage is played. Press again to stop intro and listen to track.

## Repeat playback

When RPT/3 button is pressed, playback of the selected track will be continually repeated until the track repeat mode is cancelled by pressing RPT/3 button again.

## Random

When RDM/4 button is pressed, each track on the storage is played in random instead of normal order. To cancel Random mode, press RDM/4 button again.

## Folder selection

Press DIR-/5 button to select previous folder. Press DIR+/6 button to select next folder.

## Selection of MP3 files

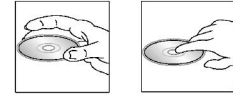
- Searching by track number: Press AMS/SCH button to go to track search mode. \*\*\* will be displayed. Press number buttons (0~9) to input the number of the needed track. Press SELECT button to start playback of the selected track.
- Searching by Folder/File Name: Press AMS/SCH button twice, then file/folder name search is activated. Press buttons according to the table below or rotate VOLUME regulator to input the name of a file/folder you want to play. When the name is input, press SELECT button to start its playback.

Button	Symbol	Button	Symbol
1/PAU	A, B, C, D	6/DIR+	P, Q, R, 6
2/INT	D, E, F, 2	7/MODE	S, T, U, 7
3/RPT	G, H, I, 3	8/PREVIOUS	V, W, X, 8
4/RDM	J, K, L, 4	9/NEXT	Y, Z, Space, 9
5/-DIR-	M, N, O, 5	0/DSP	-, -, +, 0

- Searching from root directory: Press AMS/SCH button 3 times, then root directory search mode is activated. Press PREVIOUS/NEXT buttons or rotate VOLUME regulator to select a file or folder name from the list. Then press SELECT button; if selected name is a file name, the file will start to play; if the selected name is a folder name, its content list will be displayed. Repeat the above steps until the needed file is selected.

## Handling compact discs

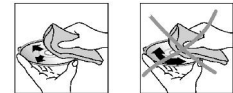
- Do not insert anything other than a CD into the CD loading slot.
- Do not use cracked, chipped, warped, or otherwise damaged discs as they may cause skipping or noise damage the player.
- Handle the disc only by the edges (as shown in the picture). To keep discs clean do not touch its surface.
- Store discs in their cases when not in use.
- Do not expose discs to direct sunlight, high humidity, high temperature or dust.
- Prolonged exposure to extreme temperature (such as leaving the discs in your car during summertime) can warp a disc.
- Do not attach labels, write on or apply chemicals to the surface of the discs.
- Do not touch the recorded surface of the discs.
- Use 12-cm CDs. Use only conventional, fully circular discs. Do not use shaped discs.



## Cleaning

### Cleaning the cabinet

Wipe with a soft cloth. If the cabinet is very dampen (not dropping wet) the cloth with a weak solution of soapy water, and then wipe clean.



### Cleaning discs

Fingerprints should be carefully wiped from the surface of disc with a soft cloth. Unlike conventional records, compact discs have no grooves to collect dust and macroscopic dirt, so gently wiping them with a soft cloth should remove most particles. Wipe in a straight motion from the center to the edge. Never use thinner benzene, record cleaner or anti static spray on a compact disc. Such chemicals can damage its plastic surface.

## Troubleshooting guide

Below is a table describing simple measures that can help you eliminate most problems likely to emerge when this unit is in use. If below measures do not help, turn to a service center or to the nearest dealer.

Symptom	Cause	Solution
No power	The car ignition is not on.  The fuse is blown.	If the power supply is properly connected to the car accessory switch the ignition key to "ACC". Replace the fuse.
Disc cannot be loaded.	Presence of disc inside the player.	Remove the disc in the player then put a new upward.
Disc cannot be read.	Inserting the disc in upside down.  Compact disc is extremely dirty or defective. Temperature inside the car is too high.	Insert the compact disc with the label facing upward. Clean the disc or try to play a new one. Cool off until the ambient temperature returns to normal.
No sound	Volume is in minimum. Wiring is not properly connected.	Adjust volume to a desired level. Check wiring connection.
The operation keys do not work.	The built-in microcomputer is not operating properly due to noise. Front panel is not properly fix into its place.	Press the power button for about 10 seconds to reset the unit
Sound skips.	The installation angle is more than 30 degrees. The disc is extremely dirty or defective.	Adjust the installation angle to less than 30 degrees. Clean the compact disc/try to play a new one.
The radio does not work, radio station automatic selection does not work.	The antenna cable is not connected the signals are too weak.	Insert the antenna cable firmly select a station manually.

## Specification

General	
Power supply	12 V DC
Current consumption	<15 A
Fuse	15 A
Maximum power output	4 x 50 W
Dimensions/Net weight	178 x 50 x 160 mm/1.2 kg
Temperature range	-20°C - +60°C
Installation angle	0° - +/-30°
FM stereo radio	
Frequency range	65 – 74 MHz/87.5 - 108.0 MHz
I.F. Frequency	10.7 MHz
Preset stations	24
MW Section	
Frequency range	522 kHz – 1620 kHz
I.F. Frequency	450 kHz
Preset stations	12
Player	
Supported storages	CD/CD-R/CD-RW, USB/SD
Format support	CDDA/MP3
Electronic shock protection	40 sec. ESP for CD/120 sec. for MP3
Frequency response	40 Hz – 18 KHz
Signal to noise	>55 dB
Line out	Stereo output RCA (2 V)

Specifications are subject to change without notice. Dimensions are approximate.

## Уважаемый покупатель!

Благодарим Вас за покупку нашего изделия. Для обеспечения безопасности рекомендуется тщательно изучить настоящее руководство перед подключением, эксплуатацией и/или регулировкой изделия, и сохраняйте руководство для использования в будущем.

## Содержание

СОДЕРЖАНИЕ.....	23
МЕРЫ ПРЕДОСТОРОЖНОСТИ.....	24
КОМПЛЕКТ ПОСТАВКИ.....	25
УСТАНОВКА/ПОДКЛЮЧЕНИЕ.....	26
ЭЛЕМЕНТЫ УПРАВЛЕНИЯ.....	31
СИМВОЛЫ НА ЖК-ДИСПЛЕЕ.....	32
ОБЩИЕ ОПЕРАЦИИ .....	33
ОПЕРАЦИИ С РАДИО.....	36
ОПЕРАЦИИ С ДИСКАМИ/USB/КАРТАМИ ПАМЯТИ SD.....	39
ОБРАЩЕНИЕ С КОМПАКТ-ДИСКАМИ.....	42
ЧИСТКА И УХОД.....	42
РУКОВОДСТВО ПО УСТРАНЕНИЮ НЕИСПРАВНОСТЕЙ.....	43
ТЕХНИЧЕСКИЕ ХАРАКТЕРИСТИКИ.....	44

## Меры предосторожности

- Тщательно изучите настоящую инструкцию, чтобы ознакомиться с устройством.
- Началом эксплуатации устройства считается момент его установки в автомобиль. Перед началом использования аппарата в зимний период рекомендуется прогреть салон автомобиля в течение 20 минут или до достижения эксплуатационного диапазона температуры аппарата.
- Использование аппарата при температуре, выходящей за рамки эксплуатационного диапазона температур, значительно снижает ресурс работы экрана и других компонентов аппарата и может привести к выходу аппарата из строя.
- При установке и подключении изделия отключите отрицательную клемму аккумулятора автомобиля.
- При замене предохранителя, убедитесь, что вы устанавливаете предохранитель с тем же номиналом. Используя предохранитель с повышенным значением тока, можно причинить значительные повреждения изделию.
- Не пытайтесь разбирать изделие. Лазерные лучи, исходящие из блока оптической головки считывания информации с компакт-диска, опасны для глаз.
- Не используйте устройство в местах, где оно может подвергнуться воздействию воды, влаги и пыли.
- Убедитесь, что шпильки или другие посторонние предметы не попали внутрь изделия. Они могут вызвать сбой в работе или стать причиной опасности, возгорания или поражения лазерным лучом.
- Не открывайте крышки и не проводите ремонт самостоятельно. Обратитесь к дилеру или квалифицированному персоналу
- Убедитесь, вы отключили источник питания и антенну, если вы не будете пользоваться системой в течение длительного времени или во время грозы.
- Убедитесь, что вы отключили источник питания, если обнаружена неправильная работа системы, система издает необычные звуки, запах, выделяет дым или внутрь ее попала жидкость. Проведите квалифицированный технический осмотр системы.
- Прибор разработан так, чтобы отрицательный вывод аккумулятора был подключен к корпусу транспортного средства. Пожалуйста, убедитесь в этом перед установкой.
- Не позволяйте проводам динамиков касаться друг друга или корпуса автомобиля после включения прибора. В противном случае, может быть перегружен или выйти из строя усилитель.



## Комплект поставки

1. Ресивер	1 шт
2. Передняя панель	1 шт
3. Защитный футляр для передней панели	1 шт
4. Коннектор	2 шт
5. Детали для установки:	
Шестигранная гайка	1 шт
Кожух	1 шт
Ключи-съёмники	2 шт
Металлическая пластина	1 шт
Внешняя рамка	1 шт
Пружинная шайба	1 шт
Плоская шайба	1 шт
Задний крепежный болт	1 шт
Винт M5X21	4 шт
Винт M5X5	4 шт
6. Информация для потребителя	1 шт
7. Гарантийный талон	1 шт
8. Руководство по эксплуатации	1 шт

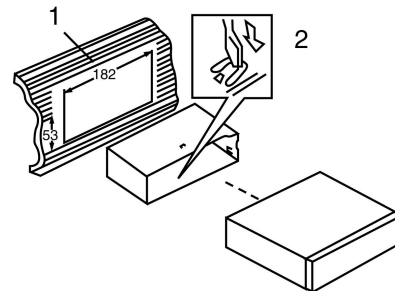
## Установка/Подключение

### Общая информация

- Перед окончательной установкой устройства временно подключите все провода и убедитесь, что все соединения выполнены верно, а устройство и система работают правильно.
- Для обеспечения правильной установки устройства используйте только те детали, которые входят в комплект. Использование других приспособлений может привести к появлению сбоев в его работе.
- Если для установки устройства необходимо сверлить отверстия в кузове автомобиля или вносить какие-либо другие изменения в его конструкцию, проконсультируйтесь с продавцом.
- Устанавливайте устройство там, где оно не будет закрывать водителю обзор и отвлекать от дорожной обстановки и не сможет нанести травм пассажирам в случае внезапной остановки автомобиля, например, при экстренном торможении.
- Никогда не устанавливайте устройство в таких местах, где оно будет подвергаться воздействию высокой температуры, например, в местах попадания прямых солнечных лучей, в местах выхода горячего воздуха от отопителя автомобиля, в местах, где очень грязно или пыльно, или там, где устройство будет подвергаться сильной вибрации.
- Перед установкой устройства обязательно снимите переднюю панель.

### Установка устройства в приборную панель автомобиля «спереди» (Метод А)

- Установите монтажный кожух в приборную панель автомобиля, убедитесь, что он установлен правильной стороной и нет препятствий (провода, элементы приборной панели) для установки магнитолы.
- После установки монтажного кожуха в приборную панель отогните на нем металлические язычки, соответствующие толщине приборной панели. Это позволит закрепить кожух на месте.
- Подключите необходимые провода и разъемы. Убедитесь в правильности подключения.
- Установите магнитолу в монтажный кожух до фиксации боковых защелок.



1. Приборная панель автомобиля
2. Металлический язычок монтажного кожуха.

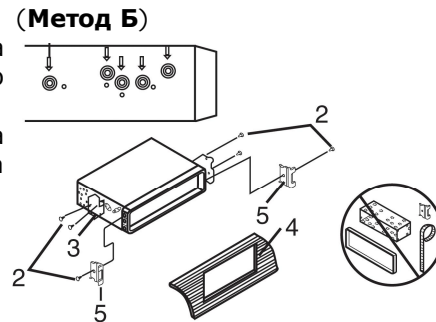
### Установка декоративной рамки

Для установки декоративной рамки прижмите ее к корпусу устройства и нажмите, чтобы вставить на место. Это необходимо сделать до установки передней панели, иначе вы не сможете установить декоративную рамку на место (При установке рамки на место направьте сторону с канавкой вниз и закрепите ее.).

### Установка устройства в приборную панель автомобиля «сзади» (Метод Б)

В данном случае установки используются отверстия для винтов на боковых сторонах устройства. Закрепите устройство с помощью штатных кронштейнов крепления радиоприемника.

1. Выберите такое положение, в котором отверстия для винтов на кронштейне (3) будут совмещены с отверстиями для винтов на корпусе устройства и вкрутите по два винта (2) с каждой стороны.
2. Винт.
3. Монтажный кронштейн штатного радиоприемника.
4. Приборная панель или консоль автомобиля.
5. Защелка (снимите эту деталь).

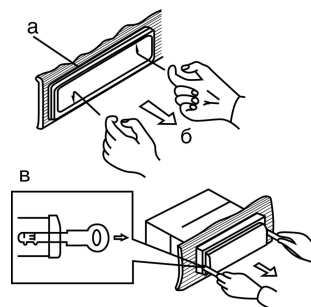


**Примечание:** При установке по методу Б монтажный кожух и внешняя декоративная рамка не используются.

### Снятие устройства

- а – Декоративная рамка
- б – Направление снятия рамки
- в – Установка ключей съемников

1. Выключите магнитолу и снимите переднюю панель.
2. Вставьте пальцы в канавку на передней стороне декоративной рамки (рамка снимается с небольшим усилием). Потяните рамку на себя, чтобы снять ее.



3. Вставьте входящие в комплект ключи съемники с обеих сторон корпуса устройства, как показано на рисунке, до щелчка. Для того чтобы извлечь устройство из приборной панели, потяните за съемники или магнитола и вытяните её на себя (перед снятием убедитесь, что магнитола не зафиксирована с опорной планкой).

### **Установка передней панели**

Наденьте крепежное отверстие правой стороны панели на крепление в правой стороне ресивера. Затем нажмите на левую сторону панели до щелчка. Убедитесь в том, что панель плотно закреплена в ресивере, иначе на дисплее могут отобразиться символы ошибок или некоторые кнопки не будут функционировать.

Для отсоединения передней панели нажмите кнопку OPEN, затем извлеките правую сторону панели из крепления ресивера. Потяните панель на себя.

### **Система против кражи**

Если устройство не используется, переднюю панель можно отсоединить и поместить в защитный футляр, входящий в комплект поставки. Панель в футляре можно взять с собой, когда Вы покидаете автомобиль. Это позволяет избежать кражи панели.

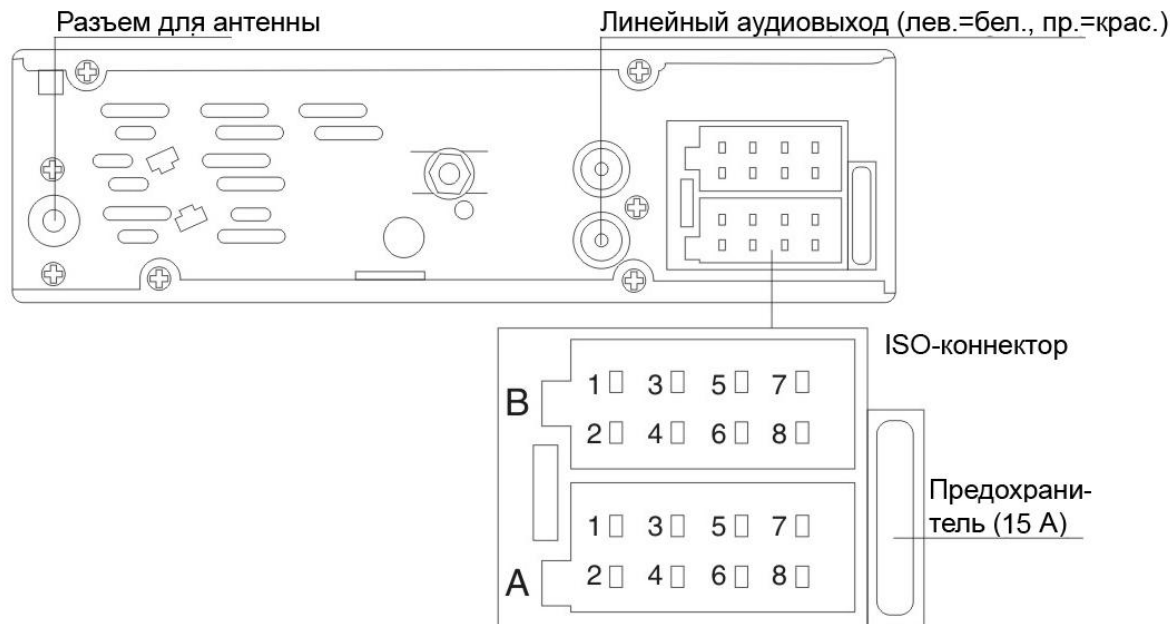
Отключите питание устройства. Снимите переднюю панель и поместите ее в предохранительный футляр.

**Внимание:** Панель может повредиться из-за внешних факторов: тряски, ударов. После снятия ее с устройства держите панель в защитном футляре и старайтесь не ронять и не наносить физических повреждений.

Очень важным элементом является коннектор на задней части панели. Не нажимайте на него ногтями, ручками, отвертками.

**Примечание:** Если панель загрязнилась или запылилась, протрите ее сухой чистой тканью. Для чистки разъема в задней части панели используйте тампон, смоченный изопропиловым спиртом.

## Схема подключения

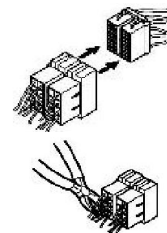


### Примечания:

- Независимо от вида динамиков следует использовать динамики с сопротивлением, равным 4 Ом, для уменьшения искажений при повышенной громкости.
- Запрещается соединять провода авто антенны и заземления между собой.

## Использование разъема ISO

1. Если в Вашем автомобиле есть разъем ISO, произведите подключение, как показано на рисунке.
2. Для подключений без разъемов ISO внимательно проверьте все провода перед подключением, неправильное подключение может привести к повреждениям изделия. Обрежьте разъем, подключите цветные головки разъема к шнуру питания батареи в соответствии с приведенной таблицей.



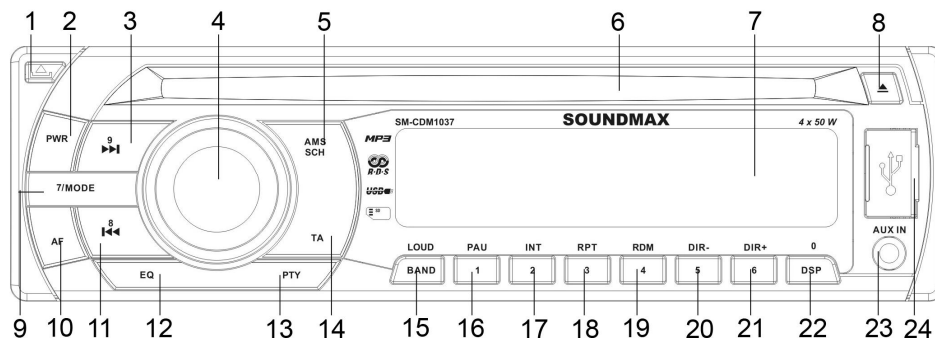
Номер	Функция	
	Разъем А	Разъем В
1	-	Задний правый(+)--Фиолетовый
2	-	Задний правый(-)--Фиолетовый/Черный
3	-	Передний правый(+)--Серый
4	Питание 12В (+)/желтый	Передний правый(-)--Серый/Черный
5	Питание антенны/синий	Передний левый(+)--Белый
6	-	Передний левый((-)--Белый/Черный
7	Зажигание/красный	Задний левый(+)--Зеленый
8	Заземление/черный	Задний левый(-)--Зеленый/Черный

Провод питания антенны предназначен для подачи питания на антенну и для удаленного управления дополнительным усилителем.

## Элементы управления

### Передняя панель

1. Кнопка OPEN
2. Кнопка PWR
3. Кнопка 9/NEXT
4. Кнопка SELECT/Регулятор VOLUME
5. Кнопка AMS/SCH
6. Слот для дисков
7. Дисплей
8. Кнопка EJECT
9. Кнопка 7/MODE
10. Кнопка AF
11. Кнопка 8/PREVIOUS
12. Кнопка EQ
13. Кнопка PTY
14. Кнопка TA
15. Кнопка LOUD/BAND
16. Кнопка 1/PAU
17. Кнопка 2/INT
18. Кнопка 3/RPT
19. Кнопка 4/RDM
20. Кнопка 5/DIR-
21. Кнопка 6/DIR+
22. Кнопка 0/DSP
23. Вход AUX
24. USB-порт



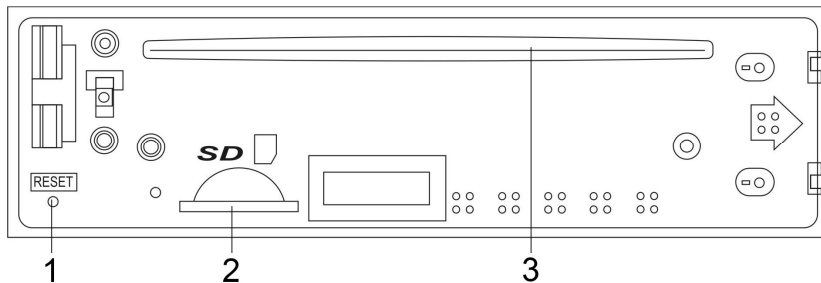
SOUNDMAX

## Внутренняя панель

Нажмите кнопку OPEN, чтобы отсоединить переднюю панель.

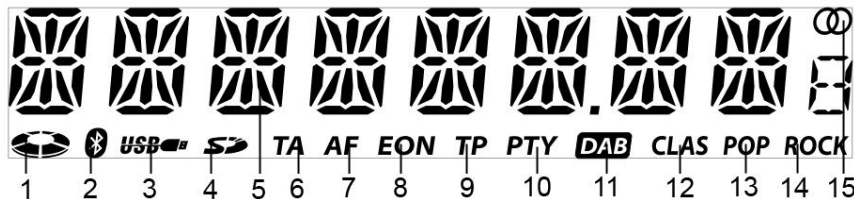
1. Кнопка (отверстие) RESET
2. Slot для карт памяти SD
3. Slot для дисков

При нажатии кнопки RESET все выполненные установки будут удалены из памяти устройства.



## Символы на ЖК-дисплее

1. Индикатор воспроизведения
2. Не активен
3. Индикатор подключения USB
4. Индикатор подключения карты памяти
5. Цифровой дисплей (радиочастота, номер трека и пр.)
6. Индикатор функции TA
7. Индикатор функции AF
8. Индикатор функции EON
9. Индикатор TP
10. Индикатор функции PTY
11. Не активен
12. Режим эквалайзера Classic



13. Режим эквалайзера Pop
14. Режим эквалайзера Rock
15. Индикатор стереорежима приема сигнала



## Общие операции

### Включение устройства

Нажмите кнопку PWR на панели, чтобы включить устройство. Нажмите эту кнопку, чтобы отключить питание устройства.

### Регулирование уровня громкости

Вращайте регулятор VOLUME, чтобы отрегулировать уровень громкости звука.

### Регулировка параметров аудио

Нажмите кнопку SELECT на передней панели, чтобы выбрать параметр: BAS (низкие частоты) => TRB (высокие частоты) => BAL (баланс между левыми/правыми динамиками) => FAD (баланс между задними/передними динамиками) => BEEP => TAVOL => STEREO/MONO => EON ON/OFF => VOL (громкость). Вращайте регулятор VOLUME, чтобы отрегулировать уровень низких, высоких частот или баланс между динамиками.

**Примечание:** При включенном эквалайзере регулирование высоких и низких частот невозможно.

**Внимание:** Каждая настройка отображается на дисплее в течение нескольких секунд. Если в течение этого времени ни одна кнопка не была нажата, дисплей вернется в обычный режим.

### Выбор режима эквалайзера

Нажмите и удерживайте кнопку SEL, затем нажимайте ее до отображения на дисплее DSP OFF (DSP ON). Вращайте регулятор VOL на передней панели или нажимайте кнопки VOL+/VOL- для выбора режима эквалайзера: POP M => ROCK M => CLASSICS => FLAT => DSP OFF (выкл).

### Выбор режима

Нажимайте кнопку MODE, чтобы выбрать режим работы устройства: Радио => Диск => USB => Карта памяти => AUX.

### Функция сброса

Кнопку (отверстие) RESET следует нажимать тонким металлическим предметом (например, шариковой ручкой). Функция сброса используется в следующих случаях:

- Начало работы с устройством, после его подключения.

- Кнопки устройства не работают.
- На дисплее отображается символ ERR («ошибка»).

### **Настройка часов**

Нажмите и удерживайте кнопку DSP для перехода к настройке часов. Цифры, обозначающие часы, будут мигать. Нажимайте кнопку PREVIOUS или NEXT, чтобы настроить часы. Нажмите кнопку DSP для перехода к настройке минут; цифры, обозначающие минуты, будут мигать. Нажимайте кнопку PREVIOUS или NEXT, чтобы настроить минуты. Нажмите кнопку DSP, чтобы подтвердить настройку часов.

### **Звуковой сигнал нажатия кнопок**

Нажимайте кнопку SELECT до отображения на дисплее надписи BEEP ON (OFF). Вращайте регулятор VOLUME, для переключения между BEEP ON (при нажатии кнопок устройство будет подавать звуковой сигнал) и BEEP OFF (отсутствие звукового сигнала при нажатии кнопок).

### **Тонкомпенсация**

Нажмите и удерживайте кнопку SEL, затем нажимайте ее до отображения на дисплее LOUD ON (OFF). Вращайте регулятор VOL на передней панели или нажимайте кнопки VOL+/VOL- для выбора LOUD ON (вкл) или OFF (выкл). Данная функция полезна, если вы хотите уменьшить уровень звука без потери четкости звучания.

### **Отображение информации на дисплее**

Нажимайте кнопку DSP для отображения различных данных на дисплее в следующем порядке:

#### При получении сигнала RDS-станции

- В режиме радио: Часы => Частота => PTY => PS
- В режиме USB/SD: Воспроизведение => Часы => Частота => PTY ("NO PTY" в случае отсутствия информации PTY) => PS

#### При получении сигнала станции, не поддерживающей RDS

- В режиме радио: Часы => Частота => 'NO PTY'
- В режиме USB/SD: Воспроизведение => Часы => Частота => 'NO PTY'

Информация отображается в течение нескольких секунд, после чего дисплей возвращается в исходное состояние.

**Вход AUX**

Разъем AUX предназначен для подключения внешнего аудиоустройства с целью усиления звука. В случае правильного подключения аудиосигнал от внешнего источника будет транслироваться через акустику головного устройства. Это дает возможность регулировать громкость и качество звучания. Например, Вы можете подключить MP3-проигрыватель для прослушивания аудиозаписей через акустику автомобиля.

## Операции с радио

### Выбор диапазона

Нажмите кнопку LOUD/BAND, чтобы выбрать диапазон в режиме радио: FM1, FM2, FM3, FM4 УКВ (OIRT), MW1 (AM1), MW2 (AM2). В каждом диапазоне можно сохранить до 6 радиостанций, общее количество сохраняемых радиостанций составляет 36.

### Настройка радио

- Нажмите кнопку PREVIOUS или NEXT; устройство автоматически выполнит поиск ближайшей радиостанции с сильным сигналом вниз или вверх по диапазону. При обнаружении станции поиск остановится. Повторите операцию для поиска следующей станции. Чтобы прервать автопоиск, нажмите кнопку PREVIOUS или NEXT.
- Нажмите и удерживайте кнопку PREVIOUS или NEXT до отображения на дисплее слова MANUAL. Нажимайте кнопки PREVIOUS/NEXT для пошагового изменения частоты.

### Автоматическое сохранение/Сканирование

- Автоматическое сканирование и сохранение: Нажмите и удерживайте кнопку AMS/SCH; приемник автоматически выполнит сканирование текущего поддиапазона и сохранит 6 станции с сильным сигналом.
- Сканирование: Нажмите кнопку AMS/SCH, приемник выполнит сканирование сохраненных станций в каждом поддиапазоне текущего диапазона.

### Сохранение и вызов радиостанций

На панели устройства и на ПДУ есть 6 кнопок с цифрами, с помощью которых Вы можете сохранять и включать радиостанции в каждом диапазоне. Выберите нужную радиостанцию, затем нажмите и удерживайте кнопку с цифрой. Станция будет сохранена в памяти устройства под этой цифрой. Для вызова сохраненной станции нажмите соответствующую кнопку с цифрой.

### Моно/стерео прием (для FM радио)

Нажимайте кнопку SELECT до отображения на дисплее надписи STEREO (MONO). Вращайте регулятор VOLUME, чтобы включить режим приема стерео (STEREO) или моно (MONO). Достичь улучшения дистанционного сигнала можно, включив режим моно, что позволяет убрать лишние звуковые шумы.

## **Сервис RDS**

Сервис RDS (Система радио данных) доступен не во всех регионах. Имейте в виду, что если услуга RDS не доступна в Вашем регионе, то данная функция не будет работать.

### **Функция AF (альтернативные частоты)**

При слабом сигнале функция альтернативных частот позволяет приемнику настраиваться на другие станции с тем же идентификационным кодом, что и текущая станция, но с более сильным сигналом. При этом вместо частоты на дисплее появится название станции.

Нажмите кнопку AF, чтобы включить или выключить функцию AF. При включенном режиме AF радио постоянно проверяет силу сигнала альтернативных частот, на которых может транслироваться RDS программа. Если сигнал слабый или исчезает, приемник будет автоматически искать другую частоту с этой программой.

Если служба RDS не доступна в Вашей местности, выключите режим AF. По умолчанию функция включена. Если символ AF отображается на дисплее статично, это означает, что режим AF активен и идет прием информации RDS. Если символ мигает, режим активен, но информация RDS отсутствует. Если символ AF не отображается, это означает, что режим AF отключен.

### **Режим EON (Enhanced Other Networks – Расширенная сеть приема)**

Нажимайте кнопку SELECT до отображения на дисплее EON ON (OFF). Вращайте регулятор VOLUME для выбора между EON ON (вкл.) или OFF (выкл.). Функция EON позволяет ресиверу контролировать другие станции, передающие сообщения о ситуации на дороге.

- REG ON (вкл): во время поиска AF и TA передач приемник будет настраиваться на те станции, PI-код которых совпадает с кодом текущей станции.
- REG OFF (выкл): PI-код будет игнорироваться и будет возможен прием региональных станций.

### **Функция TA (программы о дорожном движении)**

В режиме радио нажмите кнопку TA для включения/отключения функции TA. Начнется автоматический поиск программ дорожного движения вне зависимости от текущего режима.

Когда программа будет найдена, начнется ее трансляция. Чтобы прервать трансляцию, нажмите кнопку TA; устройство вернется к предыдущему режиму; это не повлечет за собой отключения функции TA. Когда программа закончится, устройство автоматически вернется к текущему режиму.

**Функция РТУ (тип программы)**

FM-станции, поддерживающие сервис RDS, передают идентифицирующий сигнал типа программы.

Нажмите кнопку РТУ, чтобы выбрать категорию информационных программ. Затем нажимайте кнопки с цифрами 1-6, чтобы выбрать разные типы информационных программ.

Нажмите кнопку РТУ дважды, чтобы выбрать категорию музыкальных программ. Затем нажмите кнопки с цифрами 1-6, чтобы выбрать нужный тип музыкальных программ. Каждый номер содержит три разных информационных программы на выбор.

При включенной функции РТУ приемник начинает поиск соответствующего типа программы; поиск останавливается, когда программа найдена. Если в течение нескольких секунд ни одна программа не была выбрана, приемник настроится на предыдущую программу. Если за один цикл нужный тип программы не найден, приемник вернется к текущему режиму.

## Операции с дисками/USB/картами памяти SD

### Установка/извлечение диска

- Вставьте диск в слот для дисков стороной с надписью вверх. Диск автоматически загрузится в устройство. Начнется воспроизведение первого файла в корневой папке.
- Для извлечения диска из устройства нажмите кнопку EJECT. Если после этого в течение нескольких секунд не достать диск из слота, он будет загружен обратно в слот. При полном извлечении диска устройство автоматически переключится в другой режим.

### Загрузка карт памяти SD

Отсоедините переднюю панель. Вставьте SD карту в соответствующий слот, расположенный на внутренней панели. Установите переднюю панель. Начнется воспроизведение первого трека. Для отсоединения карты памяти нажмите на нее до щелчка, затем извлеките карту из слота.

### USB-порт

Вставьте USB-носитель в USB порт, расположенный на передней панели. Автоматически начнется воспроизведение первого трека.

### Информация по USB/SD разъемам

USB: Поддержка формата USB 1.1 и 2.0. Емкость: до 16 Гб. SD: Емкость: до 16 Гб. Устройством поддерживаются файловые системы FAT и FAT32.

**Примечание:** устройство может не воспроизводить некоторые модели USB-накопителей и карт памяти. Используйте только лицензионные накопители известных брендов.

### Информация об ID3-тегах

Если MP3-файл содержит информацию ID3 в совместимом формате на русском или английском языках, такая информация будет отображаться на дисплее при воспроизведении трека. ID3-информация может включать в себя данные о файле, папке, музыке, альбоме и исполнителе.

### Пауза

Нажмите кнопку PAUSE/1, чтобы поставить воспроизведение на паузу; нажмите кнопку еще раз, чтобы возобновить воспроизведение.

## Выбор трека

Нажмите кнопку NEXT или PREVIOUS, чтобы выбрать следующий или предыдущий трек. Нажмите и удерживайте эту кнопку, чтобы начать ускоренное воспроизведение трека вперед или назад; отпустите кнопку для возврата к нормальному воспроизведению.

## Предпрослушивание

Во время воспроизведения нажмите кнопку INT/2, чтобы началось проигрывание первых нескольких секунд каждого трека. Нажмите еще раз, чтобы вернуться в нормальный режим воспроизведения.

## Повтор

Нажмите кнопку RPT/3, активируется режим повтора воспроизведения текущего трека. Нажмите кнопку еще раз, чтобы вернуться в режим нормального воспроизведения.

## Воспроизведение в произвольном порядке

Нажмите кнопку RDM/4, активируется режим воспроизведения треков в произвольном порядке. Нажмите кнопку еще раз, чтобы вернуться в режим нормального воспроизведения.

## Выбор папки

Во время воспроизведения нажимайте кнопки DIR-/5 или DIR+/6 для перехода к предыдущей или следующей папке соответственно.

## Поиск MP3-файлов

- **Поиск по номеру трека:** Нажмите кнопку AMS/SCH для перехода к поиску треков. На дисплее отобразится индикатор \*\*\*. Нажимайте кнопки с цифрами (0–9) на панели, чтобы ввести номер нужного трека. Нажмите кнопку SELECT для запуска воспроизведения выбранного трека.
- **Поиск по имени файла/папки:** Нажмите кнопку AMS/SCH дважды, активируется режим поиска по имени папки/файла. Нажимайте кнопки в соответствии с таблицей ниже или вращайте регулятор VOLUME для ввода нужного имени файла/папки. После ввода имени нажмите кнопку SELECT для запуска воспроизведения.

Кнопка	Символ	Кнопка	Символ
1/PAU	A, B, C, D	6/DIR+	P, Q, R, 6

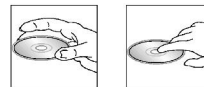


2/INT	D, E, F, 2	7/MODE	S, T, U, 7
3/RPT	G, H, I, 3	8/PREVIOUS	V, W, X, 8
4/RDM	J, K, L, 4	9/NEXT	Y, Z, Space, 9
5/-DIR-	M, N, O, 5	0/DSP	_, -, +, 0

- Поиск из корневой папки:** Нажмите кнопку AMS/SCH 3 раза, активируется режим поиска из корневой директории. Нажимайте кнопки PREVIOUS/NEXT или вращайте регулятор VOLUME, чтобы выбрать папку или файл из общего списка. После выбора нажмите кнопку SELECT; если выбранное имя является именем файла, начнется его воспроизведение; если это имя папки, на дисплее будут отображаться имена файлов, содержащихся в этой папке. Повторяйте эти действия до выбора нужного файла.

## Обращение с компакт-дисками

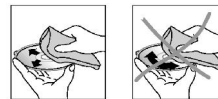
- Грязные, поцарапанные или погнутые диски могут вызвать искажение звука или шумы.
- Держите диск только за края (как показано на рисунке). Чтобы обеспечить чистоту, не прикасайтесь к его поверхности.
- Диски должны храниться в их чехлах после использования, чтобы не поцарапать их поверхность.
- Не подвергайте диски воздействию прямого солнечного света, повышенной влажности, повышенным температурам или пыли.
- Продолжительное влияние предельных температур может изогнуть диск (например, пребывание дисков в автомобиле в летнее время).
- Не царапайте и не пишите что-либо на любой стороне диска. Острые пишущие инструменты или чернила, используемые в них, могут повредить поверхность диска.
- Не прикасайтесь к стороне, не имеющей маркировки.
- Не прикрепляйте какую-либо печать, этикетку или лист предохранения данных к какой-либо стороне диска.
- Данное изделие не может воспроизводить диски размером 3 дюйма (8 см).
- Никогда не используйте диски размером 3 дюйма, установленный в адаптер, или диски нестандартной формы. Изделие не сможет выбросить его, что приведет к сбою.



## Чистка и уход

### Чистка корпуса

Протирайте мягкой тканью. Если корпус очень загрязнен (не мочите его), используйте ткань, слегка смоченную мыльным раствором, и затем вытрите его сухой тканью.



### Чистка дисков

Отпечатки пальцев должны быть тщательно стерты с поверхности диска мягкой тканью. В отличие от обычных пластинок, компакт-диски не имеют канавок для сбора пыли и микроскопических частиц грязи, поэтому осторожно вытирайте их мягкой тканью, чтобы убрать частицы грязи. Вытирайте прямолинейным движением от центра к краю.

Никогда не используйте растворитель, бензин, очиститель пластинок или антистатический аэрозоль для чистки дисков. Такие химические вещества могут повредить его пластиковые поверхности.

## Руководство по устранению неисправностей

Ниже приводится таблица, в которой описаны простые проверки, способные помочь Вам устранить большую часть проблем, могущих возникнуть при использовании данного устройства. Если нижеуказанные меры не помогли, обратитесь в сервисный центр или к ближайшему

Неисправность	Причина	Решение
Нет питания	Зажигание машины не включено.  Сгорел предохранитель.	Если источник питания подключен надлежащим образом к выключателю машины, установите ключ зажигания в положение "ACC". Замените предохранитель.
Невозможно загрузить диск	В плеер установлен диск.	Удалите диск из плеера, затем установите новый.
Невозможно считать диск	Диск установлен верхней стороной вниз. Диск загрязнен или имеет дефект.  Температура внутри машины очень высокая.	Установите компакт диск стороной с этикеткой вверх. Очистите диск или установите новый. Подождите, пока температура не станет нормальной.
Нет звука	Звук установлен на минимум.  Кабель не подключен надлежащим образом.	Отрегулируйте звук до необходимого уровня. Проверьте подключение кабеля.
Не действуют кнопки	Встроенный микрокомпьютер не работает надлежащим образом из-за шумов. Передняя панель не установлена на свое место.	Нажмите кнопку POWER и держите в течение 10 секунд, чтобы сбросить настройки.
Звук пропадает	Угол установки устройства более 30 градусов.	Отрегулируйте угол установки, установив его менее 30 градусов.

	Диск загрязнен или имеет дефект.	Очистите диск или установите новый.
Радио не работает. Не работает автоматический выбор радиостанции	Антенный кабель не подключен. Сигналы слишком слабы.	Вставьте антенный кабель надежно. Выберите станцию вручную.

## Технические характеристики

<b>Общие</b>	
Источник питания	12 В, постоянный ток
Потребляемый ток	Не более 15 А
Предохранитель	15 А
Максимальная выходная мощность	4 x 50 Вт
Размеры/Вес нетто	178 x 50 x 160 мм/1,2 кг
Диапазон рабочих температур	-20 <sup>0</sup> С - +60 <sup>0</sup> С
Угол монтажа	0 <sup>0</sup> – +/-30 <sup>0</sup>
<b>Сtereo FM радио</b>	
Частотный диапазон	65 – 74 МГц / 87,5 – 108,0 МГц
Промежуточная частота	10,7 МГц
Память	24 станции
<b>MW радио</b>	
Частотный диапазон	522 – 1620 кГц
Промежуточная частота	450 кГц
Память	12 станций
<b>Проигрыватель</b>	
Поддержка форматов	CDDA/MP3
Поддерживаемые носители	CD/CD-R/CD-RW, USB/SD
Электронная система стабилизации	40 с ESP для CD/120 с для MP3

Частотный диапазон	40 Гц – 18 КГц
Отношение сигнал-шум	>55 дБ
<b>Линейный выход</b>	Стереoaудиовыход RCA (2 В)

**Технические характеристики могут быть изменены изготовителем без предварительного уведомления. Указанные геометрические размеры имеют приблизительные значения.**



АИ49

Уважаемый потребитель! Дата производства изделия содержится в серийном номере, указанном на упаковке, в гарантийном талоне и на корпусе изделия. Шестая, седьмая и восьмая цифры обозначают год (в интервале 2010 – 2019) и месяц производства.

Пример:

