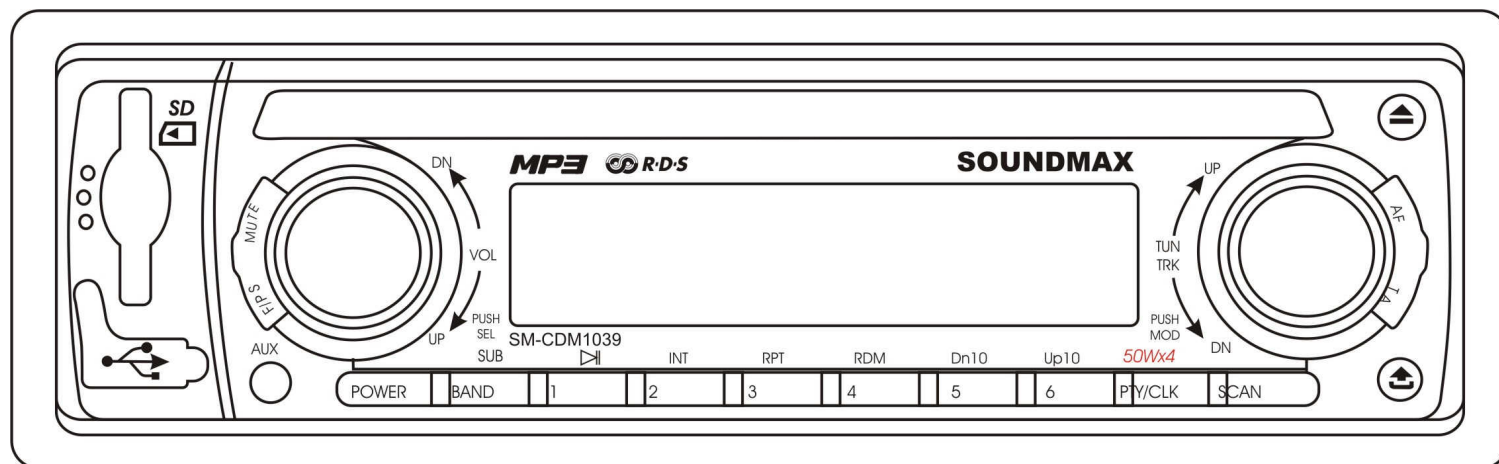


SM-CDM1039



CD/MP3-RECEIVER
Instruction manual

CD/MP3-РЕСИВЕР
Руководство по эксплуатации

Dear customer!

Thank you for purchasing our product. For safety, it is strongly recommended to read this manual carefully before connecting, operating and/or adjusting the product and keep the manual for reference in the future.

Table of contents

Table of contents2

Important safeguards.....3

Installation/ Connections4

Panel controls.....7

Functions of controls 10

MP3 overview 19

Anti-theft system..... 20

Handling compact discs 21

Cleaning 21

Troubleshooting guide 22

Specification 23

Important safeguards

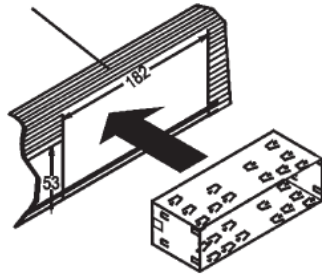
- Read carefully through this manual to familiarize yourself with this high-quality sound system.
- Disconnect the vehicle's negative battery terminal while mounting and connecting the unit.
- When replacing the fuse, be sure to use one with an identical amperage rating. Using a fuse with a higher amperage rating may cause serious damage to the unit.
- DO NOT attempt to disassemble the unit. Laser beams from the optical pickup are dangerous to the eyes.
- Make sure that pins or other foreign objects do not get inside the unit; they may cause malfunctions, or create safety hazards such as electrical shock or laser beam exposure.
- If you have parked the car for a long time in hot or cold weather, wait until the temperature in the car becomes normal before operating the unit.
- DO NOT open covers and do not repair yourself. Consult the dealer or an experienced technician for help.
- Make sure you disconnect the power supply and aerial if you will not be using the system for a long period or during a thunderstorm.
- Make sure you disconnect the power supply if the system appears to be working incorrectly, is making an unusual sound, has a strange smell, has smoke emitting from it or liquids have got inside it. Have a qualified technician check the system.
- The unit is designed for negative terminal of the battery, which is connected to the vehicle metal. Please confirm it before installation.
- Do not allow the speaker wires to be shorted together when the unit is switched on. Otherwise it may overload or burn out the power amplifier.
- Do not install the detachable panel before connecting the wire.

Installation/ Connections

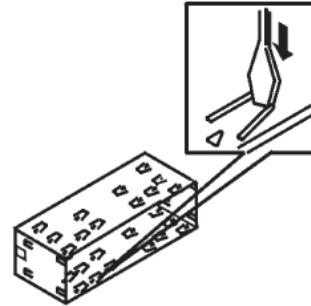
First complete the electrical connections, and then check them for correctness.

Installation way

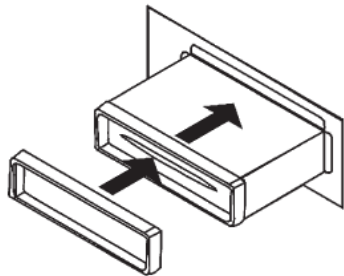
It is an anti-theft installation way. The chassis wear a metal sliding housing. Please have the wiring connection of the power supply, speakers and antenna as for the requirement of the manual, and then install the metal sliding housing into the car according to the diagram.



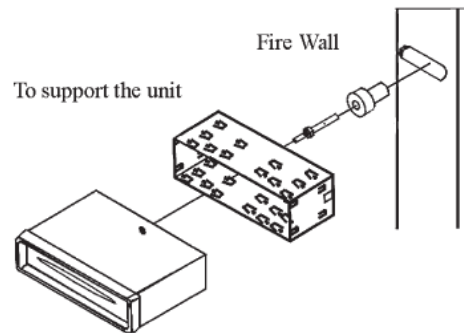
1. After removing the old radio and mounting sleeve, insert supplied mounting sleeve into opening.



2. Bend the tabs on the mounting sleeve to keep the mounting sleeve firmly in place.



3. Attach wires from the unit to existing wires. See wiring connections diagram. Insert radio into dashboard. Then apply the trim frame to outside of radio.



4. Support radio using supplied rear mounting bolt and steel bar. See parts list.

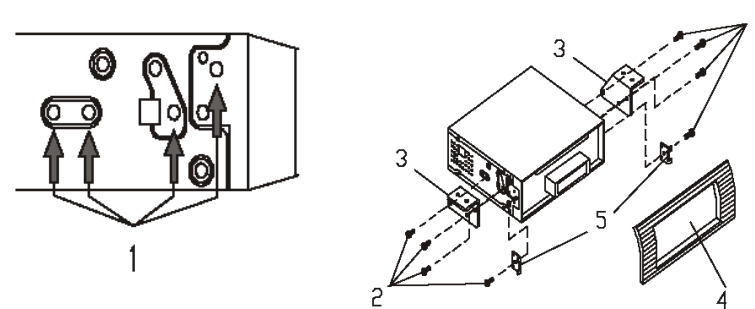
Din rear-mount (method 2)

Installation using the screw holes at both sides of the unit.

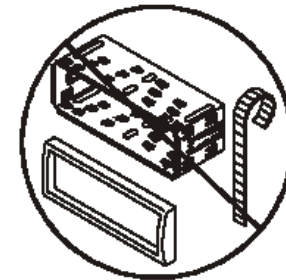
1. Select a position where the screw holes of the main unit are fitted for aligned, and tighten the screws at 2 positions at each sides.

Use either truss screws (5 x 8mm) or flush surface screws (4 x 8mm), depending on the shape of the screw holes in the bracket.

2. Screw
3. Factory radio mounting bracket.
4. Dashboard or Console
5. Hook (Remove this parts)



Note: The mounting box, outer trim ring, and the Half-sleeve are not used for this method of installation.



Caution:

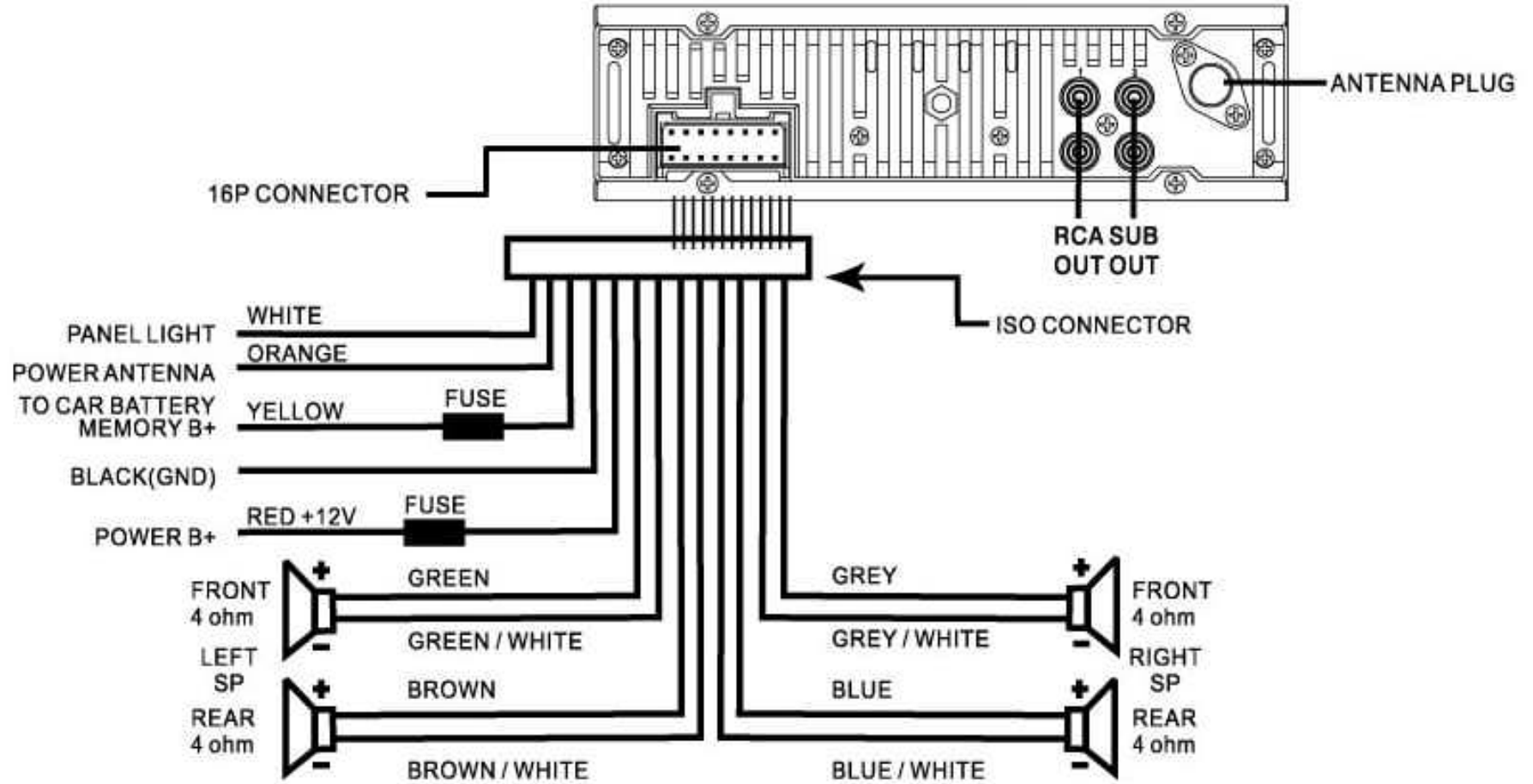
The control panel can easily be damaged by shocks. After removing it, place it in a protective case and be careful not to drop it or subject it to strong shocks.

The rear connector that connects the main unit and the control panel is an extremely important part. Be careful not to damage it by pressing on it with fingernails, pens, screwdrivers, etc.

Note:

If the control panel is dirty, wipe off the dirt with soft, dry cloth only. And use a cotton swab soaked in isopropyl alcohol to clean the socket on the back of the control panel.

Connection scheme

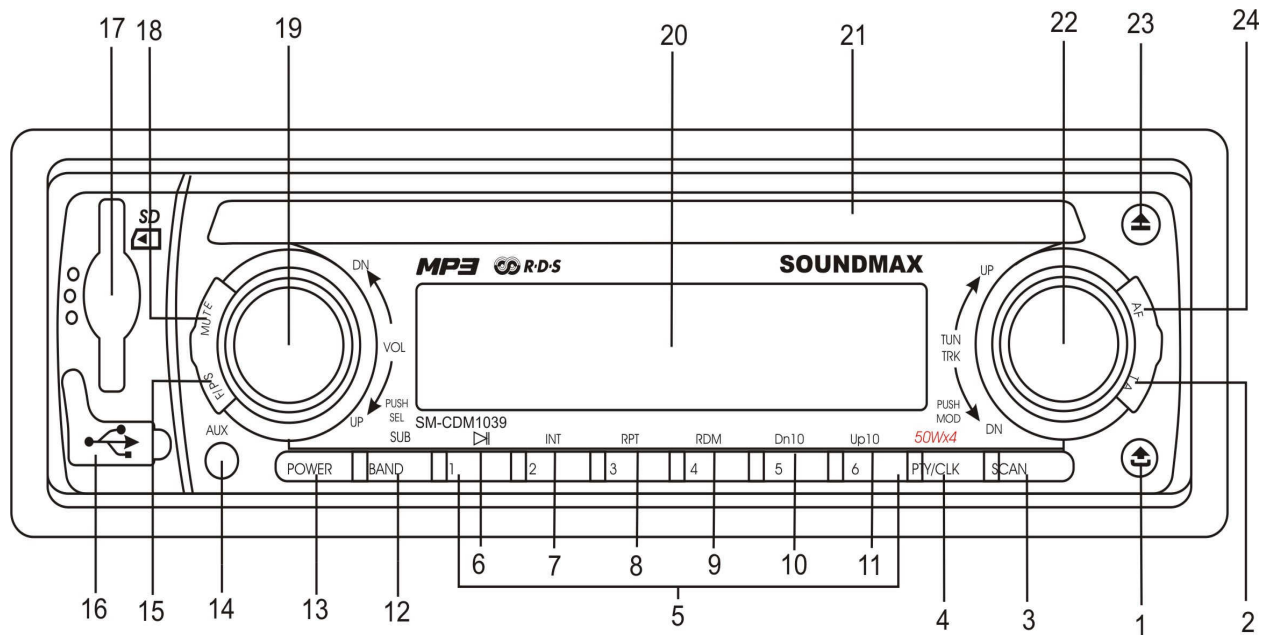


Notes:

- In spite of having any kinds of speaker system, must use 4 ohms impedance of speaker to reduce the distortion during high volume level.
- Prohibit to make the conductors of auto antenna and ground touch with each other.

Panel controls

Front panel



1. OPEN BUTTON
Press it to remove the front panel.
2. TA BUTTON
Press it to active the TA function.
3. SCAN BUTTON
4. PTY / CLK BUTTON
Press it to active the PTY function. Press and hold it to set the time.
5. PRESET STATION [1-6] BUTTONS
6. No 1/ PLAY/PAUSE (▶ ||) button
7. No 2/ INT BUTTON
8. No 3/ RPT
Press it to play the current tack repeatedly.

9. No 4/ RDM

Press to start the random playback.

10. No 5/ DN 10

Press it to start playing on 10 tracks back.

11. No 6/ UP 10

Press it to start playing on 10 tracks forward.

12. BAND / SUB BUTTON

In radio mode press it to select desired band.

Use this button to turn the Subwoofer output ON.

13. POWER BUTTON

14. AUX IN

15. F / PS BUTTON

16. USB socket

17. SD socket

18. MUTE BUTTON

Press it to switch the sound off.

19. VOL KNOB / SEL BUTTON

Rotate it clockwise to increase the volume level; rotate anticlockwise to decrease the volume level.

20. LCD (LIQUID CRYSTAL DISPLAY)

21. CD slot

22. TUNING / TRK KNOB

Rotate it to adjust the radio frequency.

Press it to choose the mode

23. EJECT BUTTON

Press it to eject a disc.

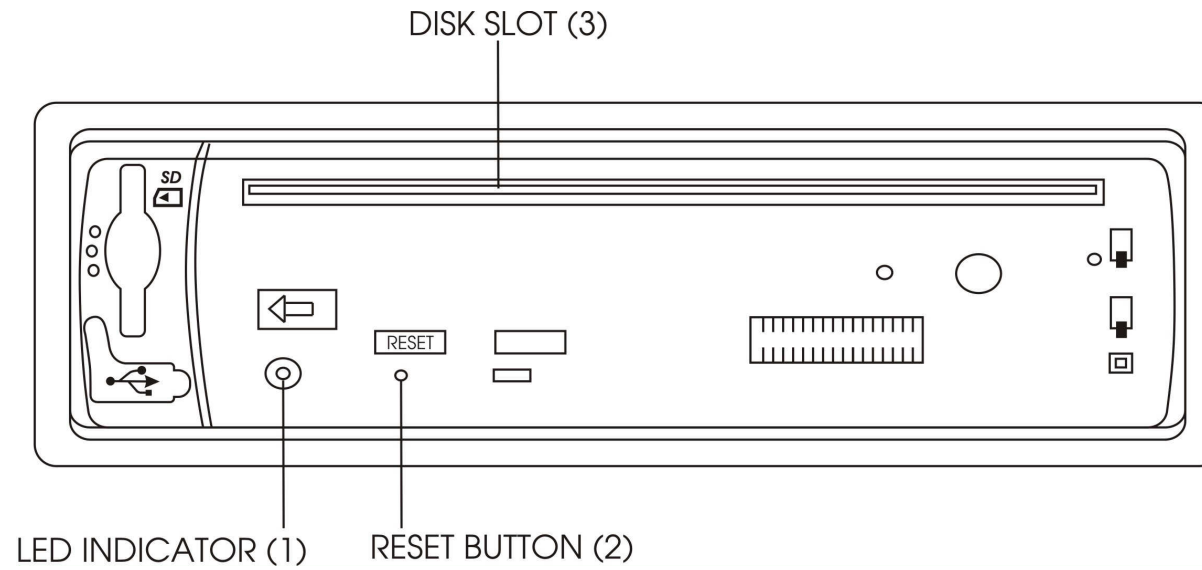
24. AF BUTTON

Press it to active the AF function.

Inner panel

Press the OPEN button on the front panel to flip it down.

1. LED INDICATOR
2. RESET BUTTON
3. DISK SLOT



Functions of controls

General operations

Power button

Press any button to switch the unit on. The display will show a message "WELCOME". Press and hold the POWER button to switch the unit off. The display will show a message "GOOD-BYE".

Note: After the unit is off, volume level and radio current settings will be memorized, and when you turn the unit on it will resume the stored status you set.

Volume control

Rotate the VOL knob (VOL knob / SEL button) on the faceplate. The larger the number shown on the display, the higher the volume level.

Audio settings adjustment

Press the SEL button (VOL knob) until the display shows: BAS 0 => TRE 0 => BAL R-L => FAD. Rotate the VOL knob to adjust each mode.

- BASS/TREBLE: -7, -6, -5,....., 0, +1, +2,.....+5, +6, +7
- BALANCE: 7L, 11L,....., L=R, 1R,.....,7R
- FADER: 7R, 11R,....., R=F, 1F,....., 7F

NOTE: Adjustments to Bass and Treble will override any preset EQ (Preset Equalizer Curves).

In each mode, the waiting time is about 5 seconds, and the waiting time is over, it returns to the last display mode of radio or disc playback mode.

Mode selection

Press the TUNING knob to cycle the Play mode: AUX => RADIO => DISK => USB => CARD.

NOTE: USB, CARD, DISK mode will only show on the display when a USB flash memory is inserted into the USB port.

Loudness control

Press the VOLUME knob / SEL button until "LOUD OFF" is shown. Turn the volume knob to select between ON or OFF.

Mute function

Press the MUTE button to cancel the sound. Press it again or VOL +/- to resume.

Subwoofer control

Press and hold the BAND/ SUB button to turn the Subwoofer output ON. An external amplifier is required to operate a subwoofer.

Beep Sound Off function

Press the VOLUME knob / SEL until "Beep On" is displayed. Turn the Volume knob to switch between Beep ON and OFF.

Equalizer setting

Press the Volume button, until "EQ" indication is displayed then rotate the Volume knob to choose between the EQ sound effects: CLASS => POP => ROCK => FLAT.

Clock display

Press the PTY/CLK button and then press and hold the button for 3 seconds. The time will blink on the display.

Rotate the VOL knob clockwise to set hours. Rotate the VOL knob anticlockwise to set the minutes.

Press the PTY/CLK button again or leave the unit idle for new setting to effect. Press the PTY/ CLK button anytime to view the time clock display.

Radio operations

BAND selection

Press the BAND / SUB button repeatedly to select your desired radio band during RADIO mode: FM1, FM2, FM3, AM1, AM2. Each band can store 6 preset stations, for a total of 30 preset memory stations.

Tuning

In Radio mode turn the TUNE button to manually adjust the radio frequency. Rotate the button for 3 seconds once and radio will seek the next strong and clear frequency station. Repeat to seek more stations in your listening area with a strong signal.

Mono/ Stereo control (in FM radio mode)

Press the VOLUME knob / SEL button until the display shows "ST ON" or "ST OFF" (MONO). Turn the VOLUME knob to switch between ON or OFF.

Improvement of reception of distant stations can be done by selecting "MONO" operation which may cut down some reception noise.

Automatic store, Automatic scan

During listening to the radio press and hold the F / PS button for more than 3 seconds. The receiver will automatically scan and save stations for the AM/FM bands.

- Press the F / PS button once in Radio mode to scan the stations in all bands.

Programming tuner stations

You can store up to a total of 30 radio stations in the memory (18 FM, 12 AM), manually or automatically.

- To store a station:
- Select a band (if needed).
- Select a station by ◀ / ▶ buttons.
- Press and hold a numbered button (1-6) which you want store the station for at least 2 seconds.
- To recall a station:
- Select a band (if needed).
- Press a Preset button (1-6) briefly to recall the stored station.

RDS function

During listening to radio or CD if there are any travel announcements from a nearby local station the radio will always know the frequency of that radio station. Then it will receive the station, turn up the volume or interrupt the playback of the music for the duration of the announcement. At the end of the announcement the radio will return to its previous state ready for the next announcement.

Function AF (Alternative frequency)

Press the AF button, the unit will choose the strongest FM signal for the selected station.

When AF is on, RDS information is received. When AF is flashing, RDS information is not received yet.

Function TA (Traffic announcement)

Press the TA button, the unit will be active for reception of traffic announcement from local stations.

To choose the TA mode press and hold the sound select button for 2 seconds, the display will show TA SEEK. Rotate the encoder volume to choose between the TA SEEK and TA ALARM, after choosing leave the unit idle for the mode to activate.

In TA SEEK mode the unit will seek for traffic announcement programme when TA is pressed. In TA ALARM mode no TA / TP is displayed and the alarm is set off.

Local radio station search

Press the VOL KNOB / SEL BUTTON to choose and set the LOCAL function ON or OFF. When the LOCAL function is on the local stations (stations with weak radio signal) can be played. When the LOCAL function is off both local and distant stations (stations with strong radio signal) can be played.

Press the button again to turn it off.

PTY function

Press the PTY / CLK button once to show the music type. Then press 1-6 button to choose the different music types available.

Press the PTY / SLK button twice to show the speech type program. Then press 1-6 button to choose the different speech type programme. Each number key will show 3 different speech programme for you to choose.

Function Mask DPI- Mask all

- Press the sound select button for 2 seconds.
- Press the SEL button to cycle through to "Mask DPI".
- Rotate the encoder volume to toggle between MASK DPI and MASK ALL mode.
- Leave the unit idle for the mode to take effect.

During MASK DPI mode the unit will mask only the AF which has different PI, this is the default mode. During MASK ALL mode the unit will mask the AF which has different PI and no RDS signal with high field strength.

Retune S / L – Short / Long function

This function is to set the initial duration of automatic TA Search.

- Press and hold the sound select button for 2 seconds until "TA SEEK" is shown on the LCD.
- Press the SEL button to cycle through the menu selections until "RETUNE_S" is shown.
- Use the VOL+ /- button to choose "RETUNE_S" or "RETUNE_L".
- The default is "RETUNE_S".

CD/ / MP3/ WMA/ USB/ SD card operations

Discs for playback

This unit can play disc types: CD/CD-R/-RW.

Compatible with formats: MP3/WMA.

USB/ SD/ MMC notes

USB functions (flash memory type) MP3 music play.

SD/ MMC card support, 2in1 (SD/ MMC) support.

USB flash memory.

FAT 12/ FAT 16/ FAT 32 is possible

- FAT 12/16 (dir: 200 support, file: 500 support),
- FAT 32 (dir: 200 support, file: 500 support).

Filename: 32 byte/ Dir name: 32 byte.

Tag (id3tag ver2.0)

- Title/ Artist/ Album: 32 byte support.

Multi card reader not support.

USB 2.0 support.

Note:

USB format supports 2.0.

Capacity: 8 MB ~ 1 GB.

SD cards brands: Canon, Fuji film, Palm, Motorola, Microsoft, IBM, HP, Compaq, Sharp, Samsung, etc.

Capacity: 8 MB ~ 1 GB.

MMC cards brands: Ericsson, Nokia, Motorola, HP, Palm, Sanyo, Microsystems, etc.

Capacity: 16 MB ~ 1 GB.

Loading/ eject a disc

- Insert the disc with the printed side facing upward into the slot. The word "LOAD" will blink on the display and the CD will play automatically. As the file is playing MP3/ WMA will be displayed first, then if there is any ID3 information that will be displayed as the file is playing.
- Press the EJECT button to eject the disc. If the disc is not removed from the slot within 5 seconds, it will automatically be loaded into the slot again. When the disc is ejected and removed, the unit will automatically switch to radio mode.

Multi-session CD reading

The multi-session reading will be activated automatically if the player detects a file that is written in multi-session format.

Inserting the USB/ SD device

Remove the cover from the USB port, then insert the USB device into the USB slot on the front panel. Then the playing mode will be changed into USB mode automatically. Or press the MODE button to select USB. The first USB device track playback will start.

Pausing playback

To ensure good system performance, wait until the unit finishes reading the disc information before proceeding.

Press the No 1 / PLAY / PAUSE button to pause the playback. Press again to resume the playback.

Playing the previous/ next track

During playback rotate the TUNING / TRK knob to play the previous/ next track. Track numbers will be shown on the display.

Fast forward and backward playback

Rotate the TUNING / TRK knob more than 3 seconds to fast forward or reverse. Release the button when the desired location is found.

UP 10/ DN 10 function (for MP3, WMA modes)

Press the No 6/ UP 10 button to advance 10 track at a time.

Press the No 5/ DN 10 button to go back 10 track at a time.

Repeat playback

During disc playback, press the No 3 / RPT button to repeat the current track playback. The display will show "RPT". Press again to cancel.

During playback the MP3/ WMA/ USB/ SD format press the No 3/ RPT button to choose RPT-1, RPT-DIR (folder repeat) or RPT-OFF.

Random playback

During disc playback, press the No 4 / RDM button to start random playback of the tracks. The display will show "RDM"/ "RDM ON" (in USB/ SD mode). Press again to cancel.

Intro playback

You can play the beginning of every track for 10 seconds in sequence. Press the No 2 / INT button to start intro play. The display will show "INT". Press again to cancel.

ID3 Tag function (for MP3/ WMA modes)

If a MP3 file has ID3 Tag information it will be displayed on the LCD. If there is no ID3 Tag information, nothing will shown on LCD.

Search function (for MP3/ WMA modes)

The search modes only works with MP3/ WMA CDs and USB flash memory with MP3/ WMA files. Cancel Random, Repeat and Intro features before searching.

Track search:

- Press the F/ PS button, then use the volume button to select the track number.
- Press the SEL button, the chosen track will start to play.

File search:

- Press the F/ PS button twice and the display will show the current FILE name of the song. The digit "F" is showing after the file name to indicate this is a file.
- Use the volume button to select the file name.
- Press the SEL button, the chosen song will start to play.

Folder search:

- Press the F/ PS button three times and the display will show the current FOLDER name. The digit "D" is showing after the file name to indicate this is a directory.
- Use the volume button to select the folder name.
- Press the SEL button, the chosen folder will start to play.

USB mode:

If the MP3/ WMA files are stored in folders on the USB drive, the unit will start by playing the first song in the first folder.

After playing all the files sequentially in the first folder, the unit will play sequentially all of the files in the next folder. The unit will continue playing through all of the folders on the USB drive in this manner.

In the USB drive has loose files and folders containing files, it will play the loose sequentially, then it will play the files in the folders sequentially.

AUX IN

- Insert the supplied AUX IN cable's stereo plug into the AUX IN jack on the panel of the unit.
- Pres the MODE button to choose AUX.
- Connect any portable radio device such as a DVD player or VCD player to the AUX IN cable.
- Use the volume control to adjust the volume.

RCA line out

This output is for connecting amplifier, equalizer or other audio component that requires a pre-amp out connection (Red = Right, White = Left).

Subwoofer output

Press and hold the BND / SUB button to turn on/ off the subwoofer function.

MP3 overview

Notes on MP3

- MP3 is short for MPEG Audio Layer 3 and refers to an audio compression technology standard.
- This product allows playback of MP3 files on CD-ROM, CD-R or CD-RW discs.
- The unit can read MP3 files written in the format compliant with ISO 9660. However it does not support the MP3 data written by the method of packet write.
- The unit can not read an MP3 file that has a file extension other than ".mp3".
- If you play a non- MP3 file that has the ".mp3" extension, you may hear some noise.
- In this manual, we refer to what are called "MP3 file" and "folder" in PC terminology as "track" and "album", respectively.
- Maximum number of directory level is 8, including the root directory. Maximum number of files and folders per disc is 256.
- The unit may not play tracks in the order of Track numbers.
- The unit plays only the audio tracks if a disc contains both audio tracks and MP3 files.
- When playing a disc of 8 kbps or "VBR", the elapsed playing time in the display window will not be correct and also the intro play may not function properly. "VBR": Variable Bit Rate.

Notes on creating your own CD-Rs or CD-RWs containing MP3 files

- To enjoy high quality sound, we recommend converting to MP3 files with a sampling frequency of 44.1 kHz and a fixed bit rate of 128 kbps.
- DO NOT store more than 256 MP3 files per disc.
- For ISO 9660 - compliant format, the maximum allowable depth of nested folders is 8, including the root directory (folder).
- When CD-R disc is used, playback is possible only for discs, which have been finalized.
- Make sure that when MP3 CD-R or CD-RW is burned that it is formatted as a data disc and NOT as an audio disc.
- You should not write non-MP3 files or unneeded folders along with MP3 files on the disc otherwise it takes a long time until the unit starts to play MP3 files.
- With some CD-R or CD-RW media, data may not be properly written depending on their manufacturing quality. In this case, data may not be reproduced correctly. High quality CD-R or CD-RW disc is recommended.
- Up to 16 characters are displayed for the name of an Album or a Track. ID3TAG version 1.x is required.
- Note that the unit may not play Tracks in the order that you wrote them to the disc.

Anti-theft system

This unit is equipped with a slide-down detachable and mask panel. Panel can be detached and taken with you, helping to deter theft.

Detaching the front panel

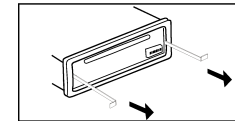
1. Press the PWR button to turn the power off.
2. Press the OPEN button on the front panel.
3. Push the panel to the right and then pull it towards you.
4. Place the panel into the case and take it with you when you leave the car.

Attaching the control panel

1. Insert left side of the control panel into the main unit.
- Note:** the control panel must be attached into the T-Joint.
2. Press the right side of the panel until a "click" sound is heard.

Remove the unit

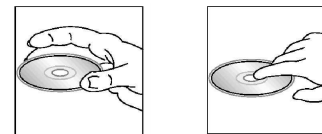
1. Remove the panel and the trim plate.
2. Insert both T-Keys into hole in front of the set until they lock.
3. Pull out the unit (pic. 1).



Pic. 1

Handling compact discs

Dirty, scratched or warped discs may cause skip ping or noise. Handle the disc only by the edges. To keep clean do not touch its surface. Discs should be stored in their cases after use to avoid scratches.



Do not expose discs to direct sunlight, high humidity, high temperature or dust. Prolonged exposure to extreme temperature can warp the disc (such as leaving the discs in your car during summertime). Do not stick or write anything on either side of disc. Sharp writing instruments, or the inks used in some felt-tip pens, may damage its surface.

DO NOT touch the unlabeled side. DO NOT attach any seal, label or data protection sheet to either side of a disc.

This unit cannot play 3-inch (8cm) CDs.

Never insert a 3-inch CD contained in the adapter or an irregularly shaped CD. The unit may not be able to eject it, resulting in a malfunction.

Cleaning

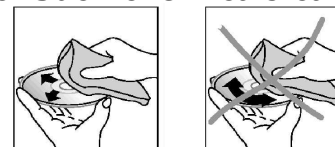
1. Cleaning the cabinet

Wipe with a soft cloth. If the cabinet is very dampen (not dropping wet) the cloth with a weak solution of soapy water, and then wipe clean.

2. Cleaning discs

Fingerprints should be carefully wiped from the surface of disc with a soft cloth. Unlike conventional records, compact discs have no grooves to collect dust and macroscopic dirt, so gently wiping them with a soft cloth should remove most particles. Wipe in a straight motion from the center to the edge.

Never use thinner benzene, record cleaner or anti static spray on a compact disc. Such chemicals can damage its plastic surface.



Troubleshooting guide

Symptom	Cause	Solution
General No power	The car ignition is not on. The fuse is blown.	If the power supply is properly connected to the car accessory switch the ignition key to " ACC ". Replace the fuse.
Disc Disc cannot be loaded.	Presence of CD disc inside the player.	Remove the disc in the player then put a new upward.
Disc cannot be read.	Inserting the disc in upside down. Compact disc is extremely dirty or defective. Temperature inside the car is too high.	Insert the compact disc with the label facing upward. Clean the disc or try to play a new one. Cool off until the ambient temperature returns to normal.
No sound	Volume is in minimum. Wiring is not properly connected.	Adjust volume to a desired level. Check wiring connection.
The operation keys do not work.	The built-in microcomputer is not operating properly due to noise. Front panel is not properly fix into its place.	Press the RESET button. Reinstall the front panel.
Sound skips.	The installation angle is more than 30 degrees. The disc is extremely dirty or defective.	Adjust the installation angle to less than 30 degrees. Clean the compact disc/try to play a new one.
The radio does not work, the radio station automatic selection does not work.	The antenna cable is not connected the signals are too weak.	Insert the antenna cable firmly select a station manually.

Specification

General	
Power supply	12 V DC
Current consumption	max. 15 A
Maximum power output	50Wx4 channels
Fuse	15A
Dimensions (L x W x H)	178 x 50 x 150 mm
FM stereo radio	
Frequency range	87.5 - 108.0 MHz
Usable sensitivity	3 uV
I.F. Frequency	10.7 MHz
MW Section	
Frequency range	522 kHz-1620 kHz
Usable sensitivity	40 dB
I.F. Frequency:	450 kHz
Disc player	
System:	Compact disc audio system
Usable disc:	MP3/ CD-R/ CD-RW
Frequency characteristics:	20-100 Hz \leq 5 dB 10-20 kHz \leq 5 dB
Signal to noise CD:	50 dB (1kHz)
Number of channels:	2 stereo
Line out	
Output:	CD max 2000 mV

Specifications are subject to change without notice. Mass and dimension are approximate.

Уважаемый покупатель!

Благодарим Вас за покупку нашего изделия. Для обеспечения безопасности рекомендуется тщательно изучить настоящее руководство перед подключением, эксплуатацией и/или регулировкой изделия, и сохраняйте руководство для использования в будущем.

Содержание

Содержание 24

Меры предосторожности 24

Меры предосторожности 25

Установка/ подключение..... 26

Органы управления 29

Функции органов управления 31

Обзор MP3..... 41

Система защиты от кражи 43

Обращение с компакт-дисками 44

Чистка и уход..... 44

Руководство по устранению неисправностей 44

Руководство по устранению неисправностей 45

Технические характеристики..... 46

Меры предосторожности

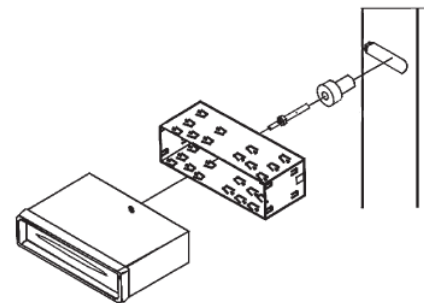
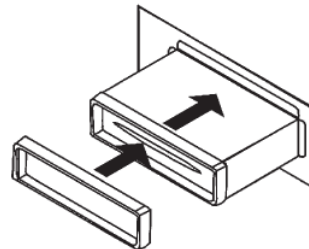
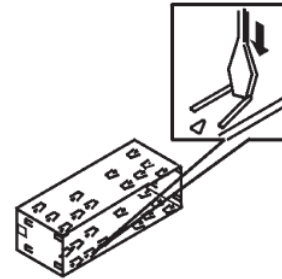
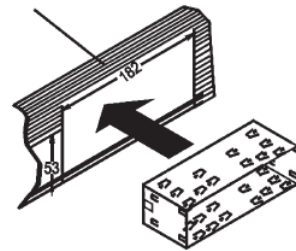
- Тщательно изучите настоящую инструкцию, чтобы ознакомиться с высококачественной аудиосистемой.
- При установке и подключении изделия отключите отрицательную клемму аккумулятора автомобиля.
- При замене предохранителя, убедитесь, что вы устанавливаете предохранитель с тем же номиналом. Используя предохранитель с повышенным значением тока, можно причинить значительные повреждения изделию.
- Не пытайтесь разбирать изделие. Лазерные лучи, исходящие из блока оптической головки считывания информации с компакт-диска, опасны для глаз.
- Убедитесь, что шпильки или другие посторонние предметы не попали внутрь изделия. Они могут вызвать сбои в работе или стать причиной опасности, такой как поражение электрическим током или лазерным лучом.
- Если вы ставите автомобиль на стоянку на длительное время в жаркое или холодное время года, подождите пока температура в автомобиле не станет нормальной, перед тем как включать изделие.
- НЕ открывайте крышки и не проводите ремонт самостоятельно. Обратитесь к дилеру или квалифицированному персоналу.
- Убедитесь, вы отключаете источник питания и антенну, если вы не будете пользоваться системой в течение длительного времени или во время грозы.
- Убедитесь, что вы отключаете источник питания, если обнаружена неправильная работа системы, система издает необычные звуки, запах, выделяет дым или внутрь ее попала жидкость. Проведите квалифицированный технический осмотр системы.
- Прибор разработан так, чтобы отрицательный вывод аккумулятора был подключен к корпусу транспортного средства. Пожалуйста, убедитесь в этом перед установкой.
- Не позволяйте проводам динамиков касаться друг друга при включении прибора. В противном случае, может быть перегружен или выйти из строя усилитель питания.
- Не устанавливайте съемную панель перед подключением кабеля.

Установка/ подключение

Сначала проведите электрические подключения, затем проверьте их правильность.

Способ установки

Шасси имеет корпус с металлическими направляющими. Пожалуйста, проведите соединение проводов источника питания, динамиков и антенны в соответствии с требованиями инструкции. Затем вставьте металлический корпус с направляющими в автомобиль в соответствии с приведенной схемой.



Второй вариант установки

Данный вариант установки предусматривает использование резьбовых отверстий, которые находятся на боковых панелях автомагнитолы.

Закрепите автомагнитолу на крепежных кронштейнах штатного радиоприемника.

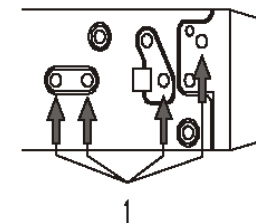
1. Выберите положение кронштейнов, при котором будут совмещены резьбовые отверстия на кронштейнах и резьбовые соединения на корпусе автомагнитолы. Закрепите кронштейны с обеих сторон автомагнитолы не менее чем в двух местах. Для этого используйте либо крепежные винты (5 x 8 мм), либо винты с потайной головкой (4 x 8 мм), в зависимости от типа резьбовых отверстий на кронштейне.

2 Винт.

3 Крепежные кронштейны штатного радиоприемника.

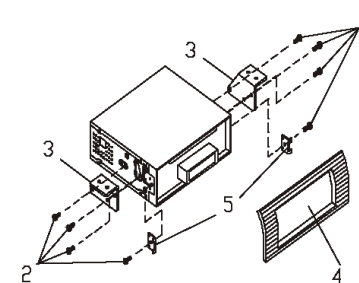
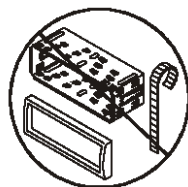
4 Приборная панель или консоль автомобиля.

5 Скоба (необходимо удалить).



Примечание:

При установке автомагнитолы по второму методу кожух, декоративная внешняя рамка и металлическая планка не используются.



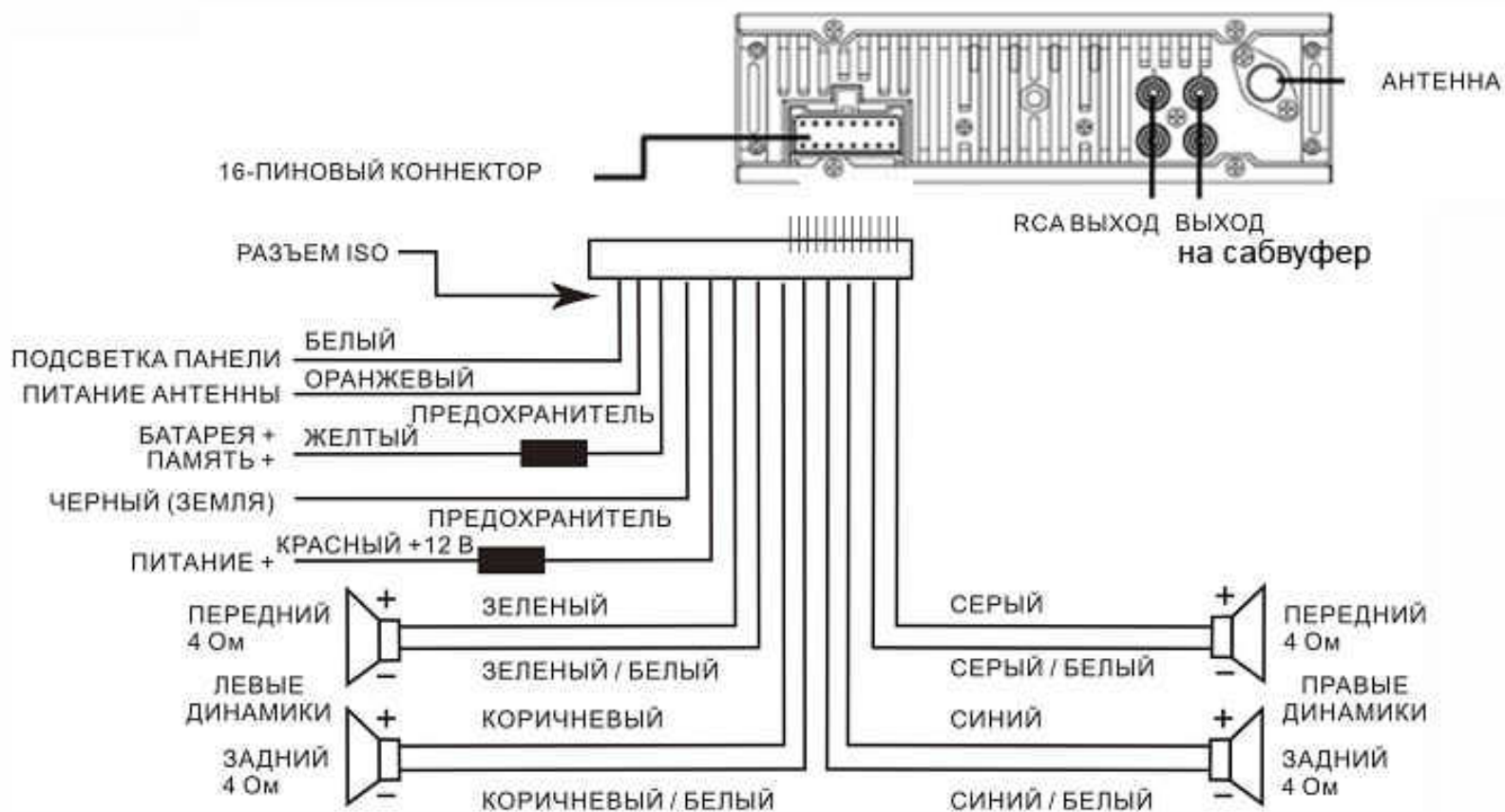
Внимание:

Панель может повредиться из-за внешних факторов: тряски, ударов. После снятия ее с устройства держите панель в защитном футляре и старайтесь не ронять и не наносить физических повреждений. Очень важным элементом является коннектор на задней части панели. Не нажимайте на нее ногтями, ручками, отвертками.

Примечание:

Если панель загрязнилась или запылилась, протрите ее сухой чистой тканью. Для чистки разъема в задней части панели используйте тампон, смоченный изопропиловым спиртом.

Схема подключения

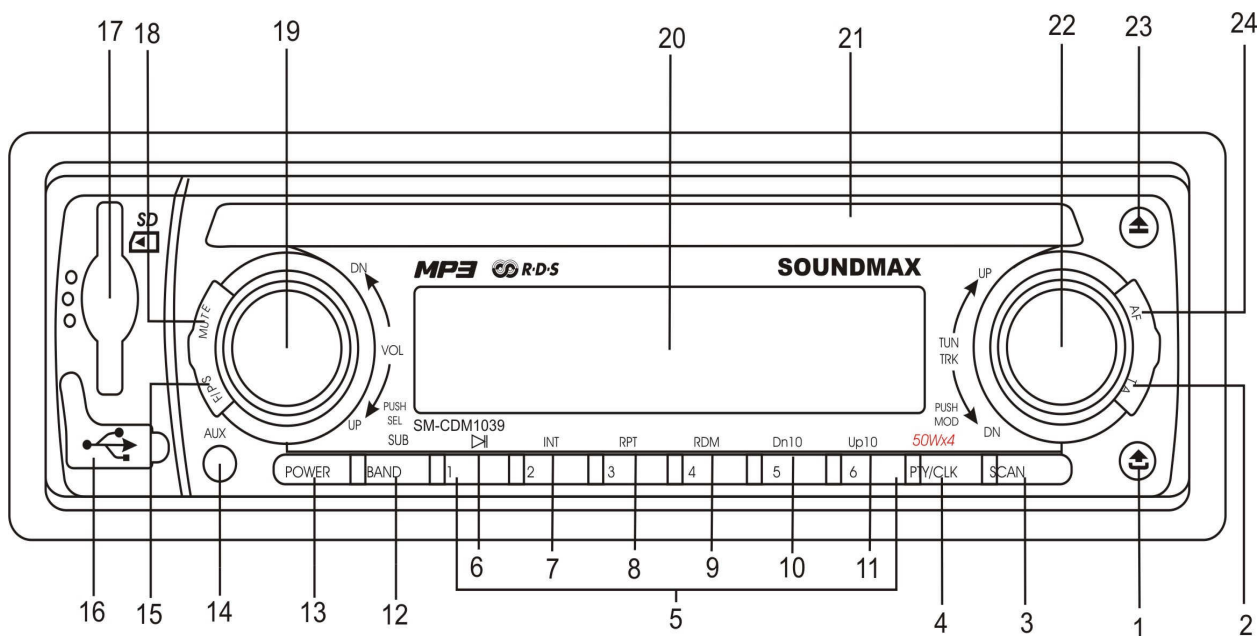


Примечания:

- Независимо от вида динамиков, следует использовать динамики с сопротивлением, равным 4 Ом для уменьшения искажений при повышенной громкости.
- Запрещается соединять провода авто антенны и заземления между собой.

Органы управления

Передняя панель



1. КНОПКА OPEN

Нажмите ее, чтобы откинуть переднюю панель и иметь возможность вставить диск или SD карту в специальный отсек или нажать на кнопку EJECT для извлечения диска.

2. КНОПКА TA

Нажмите на кнопку, чтобы активировать/ деактивировать функцию TA.

3. КНОПКА SCAN (предварительный просмотр радиостанций)

4. КНОПКА PTY / CLK

Нажмите на кнопку, чтобы активировать/ деактивировать функцию PTY.

Нажмите и удерживайте, чтобы в режиме RDS отобразить на дисплее время.

5. КНОПКИ ПРЕДВАРИТЕЛЬНО УСТАНОВЛЕННЫХ СТАНЦИЙ (1-6)

6. № 1 / Кнопка PLAY/PAUSE (воспроизведение/пауза)

7. № 2 / Кнопка INT (воспроизведение первых 10 секунд каждого трека)

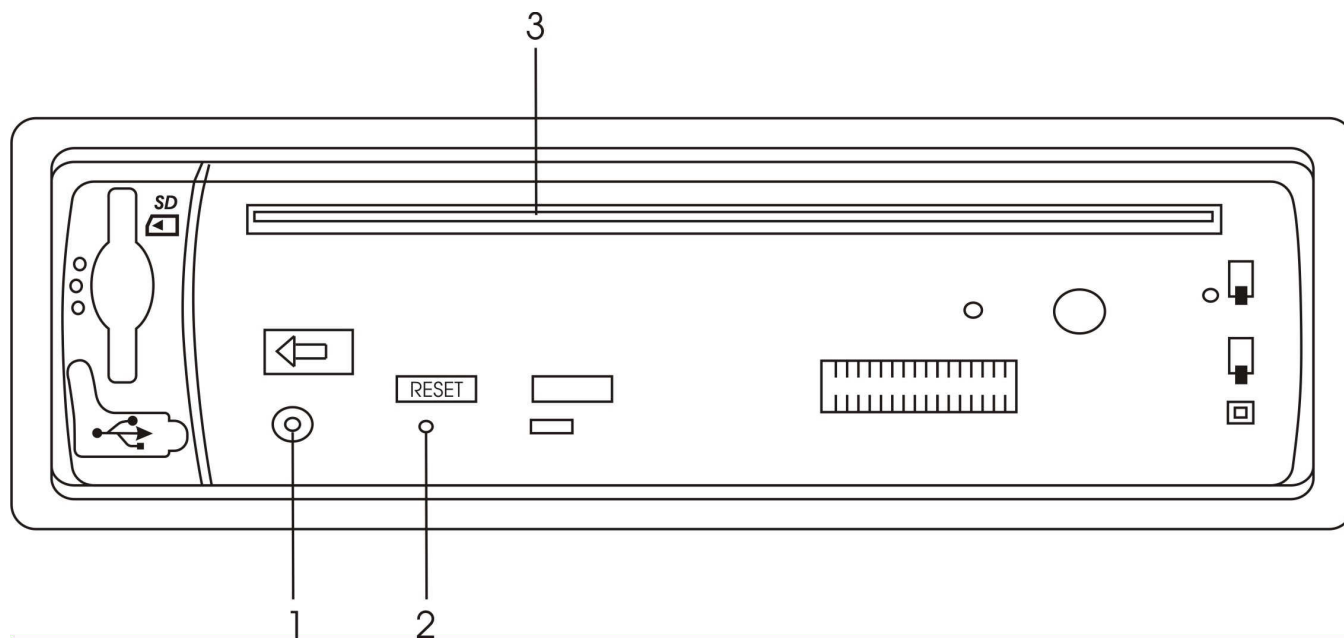
8. № 3 / Кнопка RPT (повтор)

9. № 4 / Кнопка RDM (воспроизведение в случайном порядке)
10. №5 / Кнопка DN 10 (переход на 10 треков назад)
11. № 6 / Кнопка UP 10 (переход на 10 треков вперед)
12. Кнопка BAND / SUB
В режиме BAND (Радио) нажимайте на эту кнопку, чтобы выбрать диапазон.
Используйте данную кнопку для активизации выхода на Сабвуфер.
13. КНОПКА POWER
Нажмите на эту кнопку, чтобы включить устройство. Нажмите еще раз для выключения его.
14. AUX вход
15. КНОПКА F / PS
Используйте данную кнопку для поиска трека.
В режиме радио используйте эту кнопку для сканирования радио диапазона.
16. Разъем USB
17. Разъем для SD карты
18. КНОПКА MUTE
Нажмите на кнопку MUTE, чтобы выключить звук.
19. РЕГУЛЯТОР ГРОМКОСТИ/ КНОПКА SEL
Вращайте регулятор громкости по часовой стрелке, чтобы увеличить уровень громкости. Вращайте против часовой стрелки, чтобы понизить уровень громкости.
Нажмите на кнопку SEL, чтобы выбрать режим: VOL => BAS => TRE => BAL => FAD.
Вращайте регулятор громкости, чтобы отрегулировать каждую настройку.
20. ЖИДКОКРИСТАЛЛИЧЕСКИЙ ДИСПЛЕЙ
21. СЛОТ ДЛЯ ЗАГРУЗКИ ДИСКА
22. РЕГУЛЯТОР НАСТРОЕК РАДИО / TRK РЕГУЛЯТОР
Используется для настройки радио частот. Нажатием на кнопку Вы можете изменить режим.
23. Кнопка EJECT
24. КНОПКА AF
Нажмите на кнопку, чтобы активировать/ деактивировать функцию AF.

Внутренняя панель

Нажмите на кнопку OPEN, чтобы откинуть переднюю панель.

1. LED индикатор
2. Кнопка RESET
3. Слот для диска



Функции органов управления

Основные функции

Кнопка включения

Нажмите на любую кнопку, чтобы включить устройство. На дисплее появится сообщение «WELCOME». Нажмите и удерживайте кнопку POWER, чтобы выключить питание. На дисплее появится сообщение «GOOD-BYE».

Внимание: Когда Вы выключаете систему или зажигание автомобиля, громкость звука и радио настройки будут сохранена в памяти устройства, и при включении установки вернуться к сохраненным значениям.

Регулировка уровня громкости

Вращайте регулятор громкости на передней панели. Увеличивающееся число на дисплее показывает возрастающий уровень громкости.

Регулировка аудио настроек

Нажмите на кнопку SEL (регулятор громкости), чтобы выбрать режим: BAS 0 (низкие частоты) => TRE 0 (высокие частоты) => BAL R-L (баланс левые/ правые динамики) => FAD (баланс задние/ передние динамики). Вращайте регулятор громкости, чтобы отрегулировать каждую настройку.

- BASS/TREBLE: -7, -6, -5,....., 0, +1, +2,.....+5, +6, +7

- BALANCE: 7L, 11L,....., L=R, 1R,.....,7R

(R- правый, L - левый)

- FADER: 7R, 11R,....., R=F, 1F,....., 7F

ВНИМАНИЕ: Настройки BASS и TREBLE аннулируют любую настройку эквалайзера.

Каждая настройка отображается на дисплее в течение 5 секунд. Если в течение этих 5 секунд ни одна кнопка не была нажата, дисплей вернется в обычный режим.

Выбор режима

Нажмите на регулятор настроек радио, чтобы войти в настройки Режима. Нажимайте на кнопку MOD, чтобы выбрать режим работы устройства: AUX => RADIO => DISK => USB => CARD (индикация носителей будет отображаться, если они вставлены в магнитоу).

Примечание: режимы USB, CARD, DISK будут отображены на дисплее только тогда, когда соответствующий носитель будет установлен в слот.

Контроль громкости

Нажмите на кнопку Volume/ SEL шесть раз, чтобы отобразилось «LOUD OFF». Вращайте регулятор громкости, чтобы выбрать между ON или OFF. Таким образом Вы настроите уровень громкости басов.

Выключение звука

Нажмите на кнопку MUTE, чтобы выключить звук. Нажмите на кнопку еще раз или на кнопку VOL+/ -, чтобы включить звук.

Регулятор сабвуфера

Нажмите и удерживайте кнопку BAND/ SUB, чтобы включить режим выхода сабвуфера. Для работы внешнего усилителя требуется сабвуфер.

Функция выключения звука кнопок управления

Нажимайте на кнопку Volume пока не появится на дисплее сообщение "Beep On". Вращайте регулятор громкости, чтобы активировать/деактивировать функцию включения / выключения звука кнопок управления.

Выбор режима эквалайзера

Нажимайте на кнопку Volume пока не появится индикация эквалайзера, затем вращайте регулятор громкости для выбора режима эквалайзера: CLASS => POP => ROCK => FLAT.

Отображение времени

Нажмите на кнопку PTY / CLK и затем нажмите и удерживайте ее в течение 3 секунд. Время отобразится на дисплее, индикатор часов начнет мигать. Вращайте регулятор громкости по часовой стрелке для настройки часов, против часовой стрелки – для настройки минут.

Нажмите на кнопку PTY / CLK снова. Нажимайте на кнопку CLK, чтобы отобразить текущее время на дисплее.

Функции радио

Выбор диапазона

Нажимайте на кнопку BAND / SUB, чтобы выбрать диапазон в режиме радио: FM1, FM2, FM3, AM1, AM2. каждый диапазон может сохранить до 6 радиостанций, общее количество возможно сохраненных радиостанций 30.

Настройка радио

В режиме Радио вращайте кнопку TUNE, чтобы вручную установить радио частоту. Вращайте кнопку в течение 3 секунд и радио начнет поиск следующих сильных по частоте станций. Повторите, чтобы возобновить поиск станций в Вашем регионе с более сильным сигналом приема.

Контроль Моно/ Стерео (в FM радио режиме)

Нажимайте на кнопку VOLUME / SEL пока не отобразится на дисплее сообщение «ST ON» или «ST OFF» (Моно).

Вращайте регулятор громкости, чтобы включить/ выключить.

Достичь улучшения дистанционного сигнала можно выбрав режим «МОНО», который может убрать лишний звуковой шум.

Автоматическое сохранение

Во время прослушивания радио нажмите и удерживайте кнопку F / PS более 3 секунд.

Приемник начнет автоматический поиск и сохранение радио станций для всех диапазонов.

- Нажмите на кнопку F/ PS один раз, чтобы начать сканирование всех диапазонов.

Программирование настройки радио станций

Вы можете сохранить до 30 радио станций в памяти (18 FM, 12 AM) вручную или автоматически.

- Чтобы сохранить радио станцию:
- Выберите диапазон (если это необходимо).
- Выберите станцию с помощью кнопок ◀ / ▶.
- Нажмите и удерживайте кнопки цифр (1-6) не меньше 2 секунд, под номером которой Вы хотите сохранить радио станцию.
- Чтобы вызвать радио станцию:
- Выберите диапазон (если это необходимо).
- Нажмите на кнопку Preset (1-6), чтобы вызвать сохраненную станцию.

RDS function

Во время прослушивания радио или CD диска при появлении каких-либо объявлений с ближайшей радио станции приемник всегда будет знать частоту этой радио станции. Затем приемник будет передавать эту радио станцию, увеличьте громкость или прервите воспроизведение диска для прослушивания объявления. В конце объявления радио вернется к прежнему режиму работы и будет готово принимать следующие радио объявления.

Функция AF (Альтернативные частоты)

Нажмите на кнопку AF, устройство выберет самый сильный FM сигнал для выбора радио станции. Когда функция AF включена, приемник будет получать RDS информацию. Когда символ «AF» мигает, RDS информацию невозможно получить.

Функция TA (поиск программ дорожного движения)

Нажмите на кнопку TA, чтобы устройство переключилось на режим поиска программ дорожного движения с местных радио станций.

Чтобы выбрать режим TA, нажмите и удерживайте кнопку выбора звука в течение 2 секунд, на дисплее отобразится TA SEEK. Вращайте регулятор громкости, чтобы выбрать между TA SEEK и TA ALARM, после выбора выйдите из настройки.

В режиме TA SEEK приемник будет искать объявления программ дорожного движения, когда нажата кнопка TA. В режиме TA ALARM на дисплее не отображается символ «TA/ TP» и приемник будет искать объявления, даже если не нажата кнопка TA .

Поиск локальных радиостанций

Нажмите регулятор громкости / кнопку SEL, чтобы выбрать и активизировать (или выключить) функцию Приема локальных радиостанций. Если данная функция включена, магнитола будет принимать локальные радиостанции со слабым сигналом. Если данная функция выключена, будут приниматься радиостанции как со слабым сигналом, так и с сильным.

Функция выбора передаваемого типа программыPTY

Нажмите на кнопку PTY / CLK, чтобы показать тип музыки. Затем нажимайте на кнопки цифр 1-6, чтобы выбрать разные возможные типы музыки.

Нажмите на кнопку PTY дважды, чтобы показать тип программ речи. Затем нажмите на кнопки цифр 1-6, чтобы выбрать разные типы программ речи. Каждый номер содержит для выбора 3 разные программы речи.

Функция Mask DPI- Mask all

- Нажмите и удерживайте регулятор громкости.
- Нажмите на кнопку SEL, чтобы войти в режим «Mask DPI».
- Вращайте регулятор громкости, чтобы выбрать между режимами MASK DPI и MASK ALL.
- Выйдите из настройки для установки режима.

Во время работы режима MASK DPI, разрешающего переключение на альтернативную частоту (AF), устройство может переключиться на эту частоту, которая занята другой радио станцией с другим значением PI, но с той же AF.

Во время работы режима MASK ALL, устройство маскирует и информационные программы, и станции, которые имеют альтернативные частоты с разным значением PI, но не поддерживающие RDS.

Функция Retune S/L – функция Short/ Long

Эта функция предназначена для установки первоначальной длительности автоматического поиска ТА.

- Нажмите и удерживайте кнопку выбора звука в течение 2 секунд пока на дисплее не появится сообщение «TA SEEK».
- Нажмите на кнопку SEL, чтобы войти в меню выбора пока на дисплее отображается сообщение «RETUNE_S».
- Используя кнопки VOL+/- выберите «RETUNE_S» или «RETUNE_L».
- Сброс установок «RETUNE_S».

Воспроизведение файлов с CD дисков/ SD карт/ USB устройств

Диски для воспроизведения

Это устройство может воспроизводить разновидности цифровых дисков: CD/CD-R/-RW.
Совместимо с форматами: MP3/WMA.

Примечания по USB/ SD/ MMC разъемам

Воспроизведение MP3 файлов с USB карт (флеш-память).

Поддержка карт памяти SD/ MMC, 2в1 (SD/MMC).

Поддержка USB флеш-карты.

Поддержка FAT 12/ FAT 16/ FAT 32

- FAT 12/ 16 (поддержка 200 папок, 500 файлов),

- FAT 32 (поддержка 200 папок, 500 файлов).

Имя файла: 32 байта/ имя папки: 32 байта.

- Тэг (id3tag ver 2.0)

Имя/ Исполнитель/ Альбом: поддержка 32 байтов.

Многофункциональный карт-ридер НЕ ПОДДЕРЖИВАЕТСЯ.

Поддержка формата USB 2.0.

Примечание:

USB: Поддержка формата USB 2.0. Емкость: 8 Мб ~ 1 Гб.

SD: Поддержка брендов SD карт памяти: Cannon, Fuji film, Palm, Motorola, Microsoft, IBM, HP, Compaq, Sharp, Samsung, и т. д. Емкость: 8 Мб ~ 1 Гб.

MMC: Поддержка брендов MMC карт памяти: Ericsson, Nokia, Motorola, HP, Palm, Sanyo, Microsystems, и т.д. Емкость: 16 Мб ~ 1 Гб.

Загрузка диска

- Вставьте диск в слот маркированной стороной вверх. На дисплее замигает сообщение «LOAD» и воспроизведение диска начнется автоматически. Сначала будут воспроизводиться MP3/ WMA файлы, формат будет отображаться на экране. Если имеется информация формата ID3, то она также будет отображаться на дисплее во время воспроизведения.

- Нажмите на кнопку EJECT, чтобы вынуть диск. Если диск не вынут из слота в течение 5 секунд, он автоматически загружается обратно в слот. Когда диск вынут из слота, устройство автоматически переключается на режим Радио.

Чтение Multi-session CD дисков

Чтение сессионных компакт-дисков будет воспроизводиться автоматически, если на диске имеется файл данного формата.

Установка USB/ SD карты

Снимите крышку с USB порта, затем установите USB карту в соответствующее устройство на передней панели. Устройство автоматически переключится на режим USB. Или нажмите на кнопку MODE, чтобы выбрать USB. Воспроизведение начнется с первого трека установленного устройства.

Воспроизведение/ Пауза

Чтобы обеспечить высокое качество воспроизведения, дождитесь, пока плеер закончит читать диск.

- Нажмите на кнопку No 1 / PLAY / PAUSE, чтобы активизировать режим паузы. Нажмите еще раз, чтобы продолжить воспроизведение.

Переход к предыдущему или следующему треку

Во время воспроизведения вращайте кнопку TUNING / TRK, чтобы начать воспроизведение предыдущего/ следующего трека. Номер текущего трека появится на дисплее.

Ускоренное воспроизведение вперед или назад

Во время воспроизведения вращайте кнопку TUNING / TRK более, чем 3 секунды, чтобы начать ускоренное воспроизведение назад или вперед. Отпустите кнопку, когда нужный фрагмент будет найден.

Функция UP 10/ DN 10 (для MP3, WMA режима)

Нажмите на кнопку No 6 / UP 10, чтобы перейти сразу на 10 треков вперед.

Нажмите на кнопку No 5 / DN 10, чтобы вернуться сразу на десять треков назад.

Повтор воспроизведения

Во время воспроизведения трека нажмите на кнопку No 3 / RPT, чтобы начать его повторное воспроизведение. На дисплее отобразиться «RPT». Нажмите еще раз, чтобы отменить функцию повтора.

Во время воспроизведения трека в формате MP3/ WMA/ USB/ SD нажмите на кнопку No 3/ RPT, чтобы выбрать режим повтора RPT-1, RPT-DIR (повтор файла) или RPT-OFF.

Случайное воспроизведение

Во время воспроизведения трека нажмите на кнопку No 4 / RDM, чтобы начать случайное воспроизведение всех треков. На дисплее отобразится «RDM»/ «RDM ON» (в режиме USB/SD). Нажмите еще раз, чтобы отменить функцию.

Функция Intro

Вы можете последовательно воспроизводить начало каждого трека в течение 10 секунд.

Во время воспроизведения треков нажмите на кнопку No 2 / INT, чтобы начать воспроизведение всех треков. На дисплее отобразится «INT». Нажмите еще раз, чтобы отменить функцию.

Функция ID3 Tag (для MP3/ WMA режима)

Если MP3 файл содержит информацию ID3 Tag, эта файл отобразится на дисплее. На дисплее ничего не появится в случае отсутствия данного информации на диске.

Функция Search (для MP3/ WMA режима)

Режим Search работает только с форматами MP3/ WMA CD дисков и USB картами памяти, содержащими MP3/ WMA файлы. Отмените режимы случайного, повторного воспроизведения и режим Intro перед активацией функции поиска.

Поиск трека:

- Нажмите на кнопку F / PS, затем используя кнопку громкости выберите номер трека.
- Нажмите на кнопку SEL, начнется воспроизведение выбранного трека.

Поиск файла:

- Нажмите на кнопку F / PS дважды и на дисплее отобразится имя текущего файла. После того, как имя файла отобразится, появится символ «F».
- Используйте кнопку громкости, чтобы выбрать имя файла.
- Нажмите на кнопку SEL, чтобы начать воспроизведение выбранной песни.

Поиск папки:

- Нажмите на кнопку F/ PS три раза и на дисплее отобразится текущее имя папки. После того, как имя файла покажет продолжительность, появится символ «D».
- Используйте кнопку громкости, чтобы выбрать имя папки.
- Нажмите на кнопку SEL, чтобы начать воспроизведение выбранной папки.

Режим USB:

Если файлы формата MP3/ WMA сохранены в папке на USB карте памяти, устройство начнет воспроизведение первой песни в первой папке.

После воспроизведения всех файлов последовательно в первой папке, устройство начнет последовательное воспроизведение всех файлов в следующей папке. Устройство будет продолжать воспроизведение всех папок на USB карте памяти. Если на USB карте памяти потеряны файлы и папки, то будет продолжаться воспроизведение последующих файлов.

Функция AUX IN

- Вставьте кабель AUX IN в соответствующий разъем на панели устройства.
- Нажмите на кнопку MODE, чтобы выбрать режим AUX.
- Подсоедините любое портативное радио устройство так же, как DVD плеер или VCD плеер к AUX IN кабелю.
- Используйте регулятор громкости, чтобы установить желаемый уровень громкости.

Выход RCA

Этот выход предназначен для подсоединения усилителя, эквалайзера и других аудио компонентов, которые требуют выход предусилителя (Красный = правый, Белый = Левый).

Выход сабвуфера

Нажмите и удерживайте кнопку BND / SUB, чтобы включить/ выключить функцию сабвуфера.

Обзор MP3

Замечания по MP3

- MP3 это краткое обозначение аудио слоя MPEG 3 и относится к стандарту технологии сжатия звука.
- Данное изделие позволяет воспроизводить файлы MP3 на дисках CD-ROM, CD-R или CD-RW.
- Изделие может считывать файлы MP3, записанные в формате, соответствующем ISO 9660. Однако оно не поддерживает данные MP3, записанные методом пакетной записи.
- Изделие не может считывать файлы MP3, которые имеют расширение файла, отличающееся от ".mp3".
- Если вы воспроизводите не MP3 файл, который имеет расширение ".mp3", вы можете слышать некоторые шумы.
- В данном руководстве мы рассматриваем файлы, называемые "файлами MP3" и "папкой", а в технологии PC "дорожкой" и "альбомом" соответственно.
- Максимальное количество уровней директории равно 8, включая корневую директорию. Максимальное количество файлов и папок на диске 256.
- Изделие может не воспроизводить дорожки в последовательном порядке.
- Изделие воспроизводит только аудио треки, если диск содержит как аудио треки, так и файлы MP3.
- При воспроизведении диска 8 килобит или VBR, истекшее время воспроизведения в окне дисплея будет неправильным, а также ознакомительное воспроизведение может не действовать надлежащим образом. VBR: Переменная скорость передачи битов.

Замечание по созданию собственных CD-R или CD-RW, содержащих файлы MP3

- Для получения высокого качества звука мы рекомендуем преобразовывать файлы MP3 с эталонной частотой 44,1 кГц и фиксированным битрейтом 128 кбит/сек. НЕ сохраняйте более 256 файлов MP3 на диске.
- Для формата, совместимого с ISO 9660, максимально допустимая глубина вложенных папок равняется 8, включая корневую директорию (папку).
- При использовании диска CD-R воспроизведение возможно только для дисков, которые были закончены. Убедитесь, что при записи MP3 CD-R или CD-RW были отформатированы как диски данных, а НЕ как аудио диски.
- Вы не должны записывать не-MP3 файлы или ненужные папки вместе с файлами MP3 на диск, в противном случае потребуется много времени, пока изделие начнет воспроизводить файлы MP3.
- На некоторых CD-R или CD-RW данные могут не быть записаны надлежащим образом в зависимости от качества их производства. В этом случае данные могут быть воспроизведены не надлежащим образом. Рекомендуются диски CD-R или CD-RW высокого качества.
- Имя альбома или композиции может содержать до 16 символов. Необходима версия 1.x ID3TAG.
- Помните, что изделие может не воспроизводить треки в том порядке, в котором они записаны на диске.

Система защиты от кражи

Данное изделие снабжено сдвигаемой съемной и маскирующей панелью. Панель можно снять и взять с собой, что помогает избежать воровства.

Подсоединение съемной панели

Снятие панели

1. Нажмите на кнопку PWR, чтобы выключить питание устройства.
2. Нажмите на кнопку OPEN на панели.
3. Сдвиньте панель вправо и вытяните ее на себя.
4. Поместите панель в портфель и возьмите ее с собой, когда вы покидаете автомобиль.

Подсоединение съемной панели

1. Держите панель так, чтобы ее лицевая сторона была направлена на Вас, и установите левую сторону в кронштейн.
2. Нажмите на правую часть панели, чтобы она защелкнулась.

Съем изделия

1. Снимите панель.
2. Вставьте два Т-образных ключа в отверстие лицевой стороны, пока не услышите щелчок.
3. Выньте изделие (рис. 1).

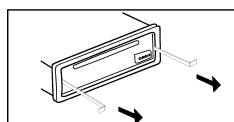
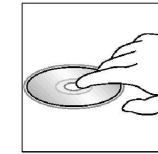
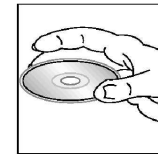


Рис. 1

Обращение с компакт-дисками

- Грязные, поцарапанные или погнутые диски могут вызвать искажение звука или шума
- Держите диск только за края (как показано на рисунке). Чтобы обеспечить чистоту, не прикасайтесь к его поверхности.
- Диски должны храниться в их чехлах после использования, чтобы не поцарапать их поверхность.
- Не подвергайте диски действию прямого солнечного света, повышенной влажности, повышенным температурам или действию пыли.
- Продолжительное влияние предельных температур может изогнуть диск (например, пребывание дисков в автомобиле в летнее время).
- Не царапайте и не пишите что-либо на любой стороне диска. Острые пишущие инструменты или чернила, используемые в них, могут повредить поверхность диска.
- НЕ ПРИКАСАЙТЕСЬ к стороне, не имеющей маркировки.
- НЕ ПРИКРЕПЛЯЙТЕ какую-либо печать, этикетку или лист предохранения данных к любой стороне диска.
- Данное изделие не может воспроизводить CD размером 3 дюйма (8 см).
- Никогда не вставляйте CD размером 3 дюйма, установленный в адаптер, или CD неправильной формы. Изделие не сможет выбросить его, что приведет к сбою.



Чистка и уход

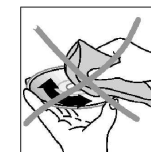
Чистка корпуса

Протирайте мягкой тканью. Если корпус очень загрязнен (не мочите его), используйте ткань, слегка смоченную мыльным раствором, и затем вытрите его сухой тканью.

Чистка дисков

а) Отпечатки пальцев должны быть тщательно стерты с поверхности диска мягкой тканью. В отличие от обычных пластинок, компакт-диски не имеют канавок для сбора пыли и микроскопических частиц грязи, поэтому осторожно вытирайте их мягкой тканью, чтобы убрать частицы грязи. Вытирайте прямолинейным движением от центра к краю.

б) Никогда не используйте растворитель, бензин, очиститель пластинок или антистатический аэрозоль для чистки дисков. Такие химические вещества могут повредить его пластиковые поверхности.



Руководство по устранению неисправностей

Неисправность	Причина	Решение
Нет питания	Зажигание машины не включено. Сгорел предохранитель.	Если источник питания подключен надлежащим образом к выключателю машины, установите ключ зажигания в положение «АСС». Замените предохранитель.
Невозможно загрузить диск	В плеер установлен CD диск.	Удалите диск из плеера, затем установите новый.
Невозможно считать диск	Диск установлен верхней стороной вниз. Компакт диск загрязнен или имеет дефект. Температура внутри машины очень высокая.	Установите компакт диск стороной с этикеткой вверх. Очистите диск или установите новый. Подождите пока температура не станет нормальной.
Нет звука	Звук установлен на минимум. Кабель не подключен надлежащим образом.	Отрегулируйте звук до необходимого уровня. Проверьте подключение кабеля.
Не действуют функциональные ключи	Встроенный микрокомпьютер не работает надлежащим образом из-за шумов. Передняя панель не установлена на свое место.	Нажмите кнопку RESET. Повторно установите переднюю панель.
Звук пропадает	Угол установки более 30 градусов. Компакт диск загрязнен или имеет дефект.	Отрегулируйте угол установки, установив его менее 30 градусов. Очистите диск или установите новый.
Радио не работает. Не работает автоматический выбор радиостанции	Антенный кабель не подключен. Сигналы слишком слабы.	Вставьте антенный кабель надежно. Выберите станцию вручную.

Технические характеристики

Общие	
Источник питания	12 В, постоянное
Максимальная выходная мощность	50 Вт x 4 канала
Потребляемый ток	макс. 15 А
Предохранитель	15 А
Размеры (Д x Ш x В)	178 x 50 x 150 мм
Сtereo FM радио	
Частотный диапазон	87.5 - 108.0 МГц
Используемая чувствительность	3 мкВ
Промежуточная частота	10.7 МГц
MW радио	
Частотный диапазон	522-1620 кГц
Используемая чувствительность	40 дБ
Промежуточная частота	450 кГц
Плеер дисков	
Система	Дисковая аудио система
Используемый диск	MP3/ CD-R/ CD-RW
Частотные характеристики	20-100 Гц ≤ 5 дБ 10-20 кГц ≤ 5 дБ
Отношение сигнал/шум CD	50 дБ (1 кГц)
Количество каналов	2 стерео
Линия выход	
Выход	CD макс. 2000 мВ

Технические характеристики могут быть изменены заводом-изготовителем без предварительного уведомления.
 Указанные масса и геометрические размеры имеют приблизительные значения.

