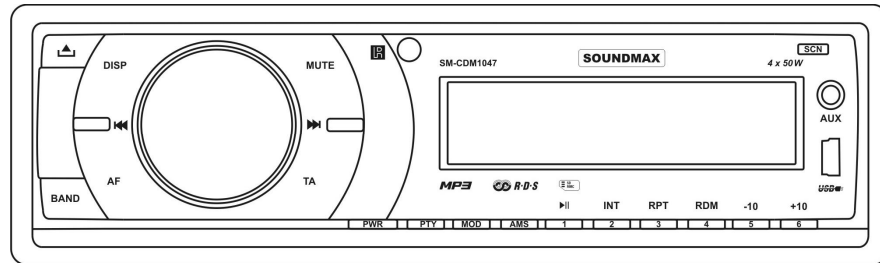


CD/MP3 RECEIVER
Instruction manual



CD/MP3-РЕСИВЕР
Руководство по эксплуатации

Dear customer!

Thank you for purchasing our product. For safety, it is strongly recommended to read this manual carefully before connecting, operating and/or adjusting the product and keep the manual for reference in the future.

Table of contents

TABLE OF CONTENTS	2
IMPORTANT SAFEGUARDS	3
ACCESSORIES	4
INSTALLATION/CONNECTIONS	5
PANEL CONTROLS	10
LCD LAYOUT	14
GENERAL OPERATIONS.....	15
RADIO OPERATIONS.....	17
RADIO DATA SYSTEM.....	18
DISC/USB/SD/MMC OPERATIONS	21
HANDLING COMPACT DISCS.....	23
CLEANING.....	23
TROUBLESHOOTING GUIDE	24
SPECIFICATION.....	25

Important safeguards

- Read carefully through this manual to familiarize yourself with this high-quality sound system.
- The beginning of operation is the moment of the unit installation. Before use the device in winter it is recommended to heat up the passenger compartment during 20 seconds or to the operation temperature.
- Use the unit with the temperature that goes beyond the operation temperature greatly decreases the operation resource of the screen and other components of device and can result an outage.
- Disconnect the vehicle's negative battery terminal while mounting and connecting the unit.
- When replacing the fuse, be sure to use one with an identical amperage rating. Using a fuse with a higher amperage rating may cause serious damage to the unit.
- Do not attempt to disassemble the unit. Laser beams from the optical pickup are dangerous to the eyes.
- Make sure that pins or other foreign objects do not get inside the unit; they may cause malfunctions, or create safety hazards such as electrical shock or laser beam exposure.
- Do not use the unit in places where it can be exposed to water, moisture and dust.
- Do not open covers and do not repair yourself. Consult the dealer or an experienced technician for help.
- Make sure you disconnect the power supply and aerial if you will not be using the system for a long period or during a thunderstorm.
- Make sure you disconnect the power supply if the system appears to be working incorrectly, is making an unusual sound, has a strange smell, has smoke emitting from it or liquids have got inside it. Have a qualified technician check the system.
- The unit is designed for negative terminal of the battery, which is connected to the vehicle metal. Please confirm it before installation.
- Do not allow the speaker wires to be shorted together when the unit is switched on. Otherwise it may overload or burn out the power amplifier.

Accessories

- | | | |
|-----|------------------------------|-------|
| 1. | Receiver | 1 pc |
| 2. | Front panel | 1 pc |
| 3. | Carrying case | 1 pc |
| 4. | ISO connector harness | 1 pc |
| 5. | Remote controller | 1 pc |
| 6. | MiniUSB-USB connection cable | 1 pc |
| 7. | Mounting parts: | |
| | Hexagon nut M5 T | 1 pc |
| | Mounting box | 1 pc |
| | Release keys | 2 pcs |
| | Metal bar | 1 pc |
| | Outer trim ring | 1 pc |
| | Washer | 2 pcs |
| | Screw (5X25 mm) | 1 pc |
| | Screw M4x5 | 4 pcs |
| | Screw M5x5 | 4 pcs |
| 8. | Consumer information | 1 pc |
| 9. | Warranty card | 1 pc |
| 10. | Instruction manual | 1 pc |

Installation/Connections

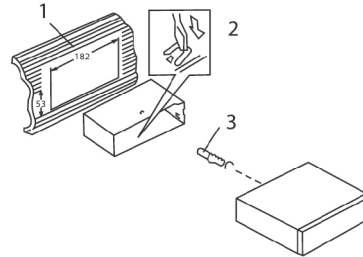
- Choose the mounting location where the unit will not interfere with the normal driving function of the driver.
- Before finally installing the unit, connect the wiring and make sure that the unit works properly.
- Consult with your nearest dealer if installation requires the drilling of holes or other modifications of the vehicle.
- Install the unit where it does not get in the driver's way and cannot injure the passenger if there is a sudden stop, like an emergency stop.
- If installation angle exceeds 30° from horizontal, the unit may not perform properly.
- Avoid installing the unit where it would be subject to high temperature, such as from direct sunlight, or from hot air, from the heater, or where it would be subject to dust, dirt or excessive vibration.

Din Front/Rear-Mount

This unit can be properly installed either from 'Front' (conventional DIN Front-mount) or 'Rear' (DIN Rear-mount installation, utilizing threaded screw Holes at the sides of the unit chassis). For details, refer to the following illustrated installation methods.

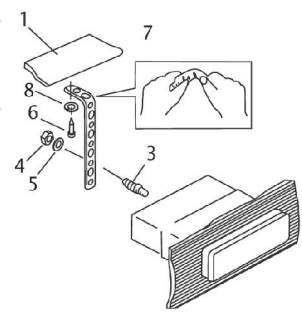
DIN FRONT-MOUNT (Method A)

1. Car dashboard
2. Sleeve
3. Screw
4. Nut
5. Spring washer
6. Screw
7. Metal strap
8. Flat washer



1. Install the sleeve into the dashboard; ensure it is installed with the correct side and there are no obstacles (wires, dashboard elements, etc) for the unit installation.

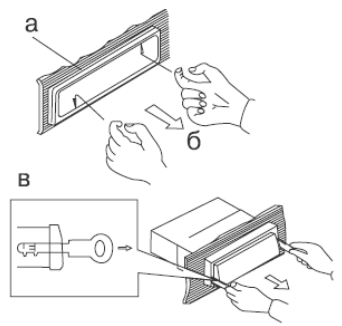
2. After installing the sleeve into the dashboard, bend tabs fitting to the size of the dashboard to fix the sleeve in place.
3. Use the metal strap to fix the rear side of the unit. Determine a place for fixing and install the strap as shown in the picture. You can bend the strap to the needed angle with your hands.
4. Make the necessary wire connections. Ensure the connections are correct.
5. Install the unit into the sleeve until the side locks are fixed.



Dismantling the unit

- a – Trim frame
- 6 – Frame uninstal direction
- B – Release key insertion

1. Switch off the unit and detach the front panel.
2. Insert your fingers into the groove in the front side of the trim frame (apply some effort to detach the frame). Pull the frame to detach it.
3. Insert the supplied release keys into the both sides of the unit body to click, as shown in the picture. To extract the unit from the dashboard, pull the release keys or the unit body to pull it out. Before detaching the unit, ensure it is not fixed with the metal strap.



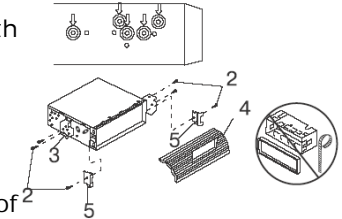
Trim frame installation

To install the trim frame, press it to the unit body and push it to fix it in place. This should be done before installing the front panel; otherwise you are not able to install the trim frame. When the trim frame being installed, the side with the groove should face down and fixed first.

2. DIN REAR-MOUNT (Method B)

For this method, use the screw holes in the lateral sides of the unit. Fix the unit with the help of the factory radio mounting brackets.

1. Select a position in which the screw holes of the brackets (3) are aligned with the screw holes in the unit body, and screw in two screws (2) in each side.
2. Screw.
3. Factory radio mounting brackets.
4. Vehicle dashboard.
5. Lock (remove this part).



Note: The outer trim frame and mounting sleeve are not used for method of installation.

Installing the front panel

Insert the left side of the panel then, and insert the right side. Close the panel.

Press OPEN button to detach the panel. When the front panel is in horizontal position, hold and slide the panel to left and then pull it out.

Anti-theft system

The front panel of this unit can be stored in the included protective case when not in used and carried away when you leave the vehicle to deter theft.

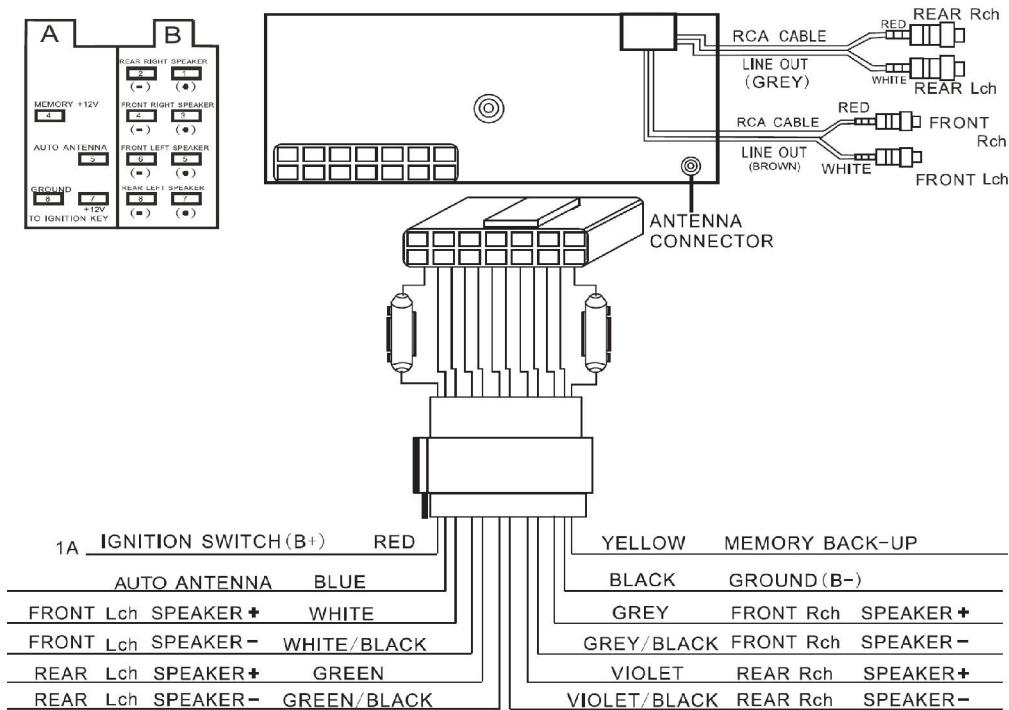
Switch off the power of the unit. Detach the front panel, then put it to the protective case and take it with you.

Cautions: The control panel can easily be damaged by shocks. After removing it, place it in a protective case and be careful not to drop it or subject it to strong shocks.

The rear connector that connects the main unit and the control panel is an extremely important part. Be careful not to damage it by pressing on it with fingernails, pens, screwdrivers, etc.

Note: If the control panel is dirty, wipe off the dirt with soft, dry cloth only. And use a cotton swab soaked in isopropyl alcohol to clean the socket on the back of the control panel.

Connection diagram

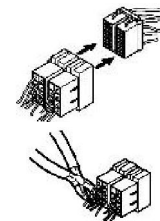


Notes:

- In spite of having any kinds of speaker system, must use 4 ohms impedance of speaker to reduce the distortion during high volume level.
- Prohibited to make the conductors of auto antenna and ground touch with each other.

Using the ISO Connector

1. If your car is equipped with the ISO connector, then connect the ISO connectors as illustrated.
 2. For connections without the ISO connectors, check the wiring in the vehicle carefully before connecting, incorrect connection may cause serious damage to this unit.
- Cut the connector, connect the colored leads of the power cord to the car battery as shown in the colour code table below for speaker and power cable connections.



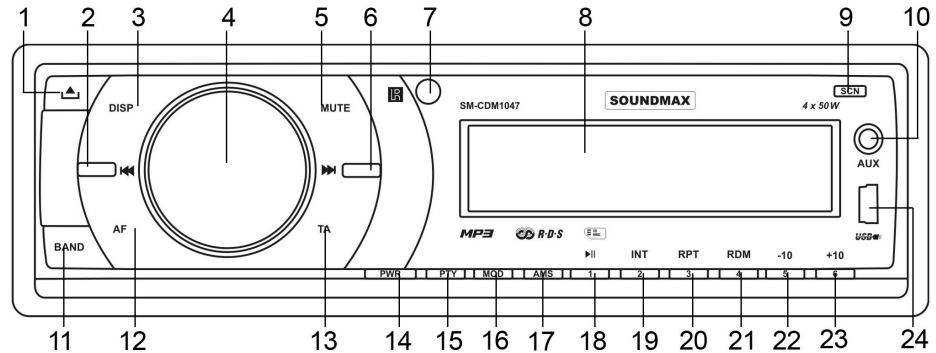
Location	FUNCTION	
	Connector A	Connector B
1		Rear Right(+)--Violet
2		Rear Right(-)--Violet/Black stripe
3		Front Right(+)--Grey
4	Battery 12V (+)/yellow	Front Right(-)--Grey/Black stripe
5	Auto Antenna/blue	Front Left(+)--White
6		Front Left((-)--White/Black stripe
7	Ignition/red	Rear Left(+)--Green
8	Ground/black	Rear Left(-)--Green/Black Stripe

Power antenna wire is intended for power supply of the antenna and for remote control of an additional amplifier.

Panel controls

Front panel

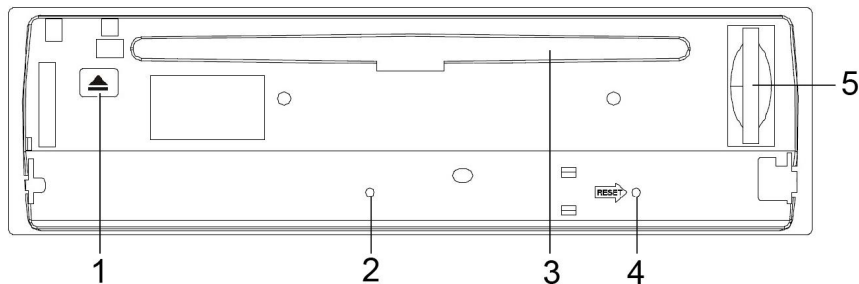
1. OPEN button
2. PREVIOUS button
3. DISP button
4. SEL button/VOL regulator
5. MUTE button
6. NEXT button
7. IR sensor
8. Display
9. SCN button
10. AUX in jack
11. BAND button
12. AF button
13. TA button
14. PWR button
15. PTY button
16. MOD button
17. AMS button
18. PLAY/PAUSE/1 button
19. INT/2 button
20. RPT/3 button
21. RDM/4 button
22. -10/5 button
23. +10/6 button
24. USB port



Inner panel

Press OPEN button on the front panel to detach it.

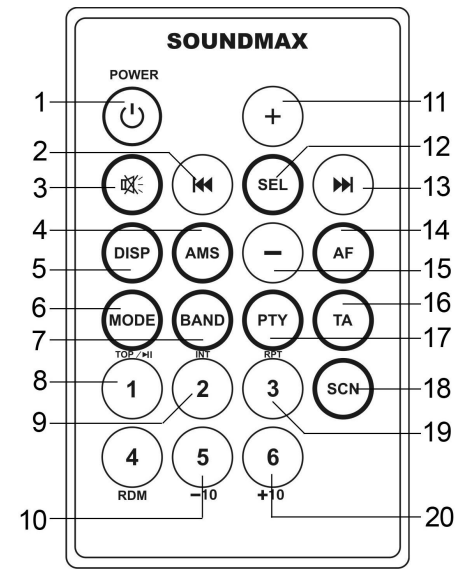
1. EJECT button
2. Panel status indicator
3. Disc slot
4. RESET button (hole)
5. SD/MMC slot



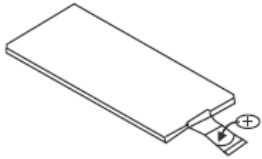
Pressing RESET hole will erase the clock setting and stored stations.
Panel status indicator lights up when you slide the panel down, flashes when you remove the panel.

Remote controller

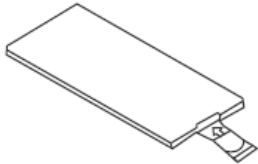
1. POWER button
2. PREVIOUS button
3. MUTE button
4. AMS button
5. DISP button
6. MODE button
7. BAND button
8. PLAY/PAUSE/1 button
9. INT/2 button
10. -10/5 button
11. VOL+ button
12. SEL button
13. NEXT button
14. AF button
15. VOL- button
16. TA button
17. PTY button
18. SCN button
19. RPT/3 button
20. +10/6 button



Changing the battery



Pull out the battery tray. Insert the 1 x lithium battery, type CR 2025 3V battery with the stamped (+) mark facing upward.



Insert the battery tray into the remote control.

Warning: Store the battery where children cannot reach. If a child accidentally swallows the battery, consult a doctor immediately.

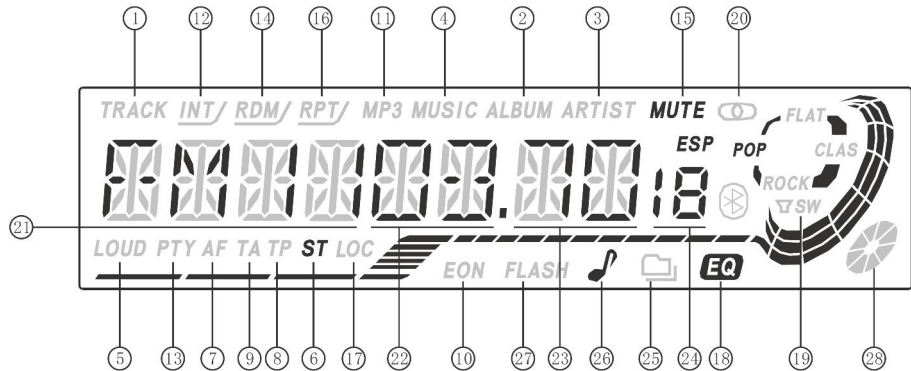
Do not recharge, short, disassemble or heat the battery or dispose it in a fire.

Do not expose or bring into contact the battery with other metallic materials. Doing this may cause the battery to give off heat, crack or start a fire.

When throwing away or saving the battery, wrap it in tape and insulate; otherwise, the battery may give off heat, crack or start a fire.

LCD layout

1. Track play indicator
2. Album name ON
3. Artist name ON
4. Song name ON
5. Loud function indicator
6. Stereo reception indicator
7. AF function indicator
8. TP function indicator
9. TA function indicator
10. EON function indicator
11. MP3 file being played
12. Intro playback indicator
13. PTY function indicator
14. Random playback indicator
15. Mute function indicator
16. Repeat playback indicator
17. Local reception indicator
18. DSP (equalizer) mode indicator
19. Subwoofer indicator (not active)
20. Stereo signal indicator
21. Track number display/current band
22. Track minute time display/radio frequency
23. Track second time display/radio frequency
24. Disc number display
25. Folder name ON
26. File name ON
27. USB/Memory card indicator
28. On: disc being played/Flashing: disc pause



General operations

Power button

Press any button (except OPEN and EJECT) on the panel or insert disc to switch the unit on. Press PWR (POWER) button to switch the unit off.

Volume control

Rotate VOL regulator on the front panel or press VOL+/VOL- buttons on the RC to adjust volume level.

Mute

Press MUTE button to mute the sound at once. Press again or adjust volume to return to the previous volume level.

Audio settings adjustment

Press SEL button shortly and repeatedly to select a mode: BAS (bass) => TRB (treble) => BAL (balance) => FAD (fader). Rotate VOL regulator on the front panel or press VOL+/VOL- buttons on the RC to adjust each mode.

Note: When DSP is on, bass and treble adjustment is not available.

Caution: In each mode, the waiting time is several seconds, and when the waiting time is over, it returns to the last display mode of radio or disc playback mode.

Mode selection

Press MODE button to choose a sound source: RADIO => AUX => CD => SD/MMC => USB.

Loudness control

Press and hold SEL button, then press it repeatedly until LOUD ON is displayed. Rotate VOL regulator on the front panel or press VOL+/VOL- buttons on the RC to select Loudness ON or OFF.

Clock

Press DISP button to switch between clock display and current mode display. Press and hold DISP button; clock will blink. Rotate VOL regulator clockwise to set hours; rotate it anti-clockwise to set minutes.

Equalizer setting

Press and hold SEL button; then press it repeatedly until DSP OFF (DSP ON) is displayed. Rotate VOL regulator on the front panel or press VOL+/VOL- buttons on the RC to choose between sound effects: POP M => ROCK M => CLASSICS => FLAT => DSP OFF.

BEEP function

Press and hold SEL button; then press it repeatedly until BEEP OFF (BEEP ON) is displayed. Rotate VOL regulator on the front panel or press VOL+/VOL- buttons on the RC to select one of the following:

BEEP OFF – beep sound is not heard when a button is pressed

BEEP ON – beep sound is heard when a button is pressed

Reset function

RESET button is pressed with either a ballpoint pen or thin metal object. RESET function is to be activated for the following reasons:

- Initial installation of the unit when all wiring is completed.
- All the function buttons do not operate.
- Error symbol on the display.

AUX in jack

AUX-in jack is intended for connecting external audio equipment to amplify the sound. If connection is made correctly, the audio signal from the external source will be translated through the acoustics of the head unit. This enables to adjust the volume and quality of the sounding. For example, you can connect an MP3-player to listen to tracks using the car acoustic system.

Radio operations

Band selection

Press repeatedly BAND button to select your desired radio band in radio mode: FM1, FM2, FM3, FM4 (OIRT), MW1 (AM1), MW2 (AM2). Each band can store 6 preset stations, for a total of 36 preset memory stations.

Tuning

Press PREVIOUS or NEXT button; the unit will automatically search a nearest station with a strong signal. To search next station repeat this procedure. To stop the automatic search, press PREVIOUS or NEXT button. Press and hold PREVIOUS or NEXT button to activate manual search mode (MANUAL will be displayed). Press PREVIOUS/NEXT buttons to search for a station manually. If you don't press any button within several seconds, the unit will return to auto search mode.

Automatic store/Scan

- Automatic store: Press and hold AMS button, the receiver will automatically scan and save stations for the current band.
- Scan: Press AMS button once to scan the saved stations in each band.

Programming stations

There are six numbered preset buttons, under which you can store and recall stations for each band. Select the needed station, then press and hold a preset button. The station will be saved in the memory under the corresponding number. To recall a stored station, press the corresponding preset button.

Radio Data System

Note: RDS (Radio Data System) service availability varies with areas. Please understand if RDS service is not available in you area, the following service is not available, either.

AF (Alternative Frequencies) function

Press AF button to turn the AF function on or off.

When the radio signal strength is poor, enabling the AF function will allow the unit to automatically search another station with the same PI (Program Identification) as the current station but with stronger signal strength, so that you do not have to retune the stations when driving between different transmitter coverage areas. When AF symbol is on, it means RDS information is received; when AF symbol is flashing, it means RDS information is not yet received.

PS (Program Service name): the name of station will be display instead of frequency.

If RDS service is not available in your area, turn off the AF mode. Default setting is ON.

REGIONAL ON/OFF mode

Press and hold AF, REGION ON/OFF mode is selected. Press AF button to select REG ON/OFF.

REG ON: AF switching or PI SEEK is implemented to the station which have all PI codes are same as current station (PI CODE is checked when AF CHECK in progress)

REG OFF: The regional code in the format of PI code is ignored when AF switching or PI SEEK is implemented. (PI CODE and COVERAGE AREA is not checked when AF CHECK in progress)

TA (Traffic Alarm) function

Press TA button to turn TA function on or off.

In TA mode traffic program will be automatically searched, until the program is received. When traffic announcement is received the unit will temporarily switch to the tuner mode (regardless of the current mode) and begin broadcasting the announcement. After the traffic announcement is over, it will return to the previous mode and volume level. To interrupt traffic announcement press TA button shortly; it will not switch off the TA mode.

PTY (Program Type)

This radio will allow you to select the type of program required, and will search for a station broadcasting that type of program.

Press PTY button to show the music type. Then press 1 - 6 number buttons to choose different music programs available. Press PTY button twice to show the speech type program. Then press 1 - 6 number buttons to choose different speech programs. Each number button will show 3 different speech programs for you to choose (see table below).

Button	Music type programs	Speech time programs
1	Pop, Rock	News, Affairs, Info
2	Easy, Light	Sport, Educate, Drama
3	Classics	Culture, Science, Varied
4	Jazz, Country	Weather, Finance, Children
5	Nation, Oldies	Social, Religion, Phone IN
6	Folk	Travel, Leisure, Document

When PTY is selected, the radio starts to search corresponding PTY information, and stops if the corresponding PTY information is detected. If no buttons are pressed within several seconds, previously selected PTY is searched. During 1 loop, if desired PTY is not found, the unit will return to previous mode. Press PTY button for the 3rd time to switch the PTY function off.

Other parameter setting

To choose the corresponding parameter, press and hold SEL button, then press it repeatedly until the display shows the needed parameter. Turn VOL regulator on the front panel or press VOL+/VOL- buttons on the RC to choose the needed value. After choosing, please leave the unit idle to activate.

TA SEEK/TA ALARM

When newly tuned station does not receive TP information for 5 seconds, the radio retunes to next station which has not the same station (PI – Program Information) as the last station, but has the TP information. When TP information gets lost at the current station for retune time which is set by RETUNE SHORT (30 seconds) or RETUNE LONG (90 seconds), the radio starts to retune to next same PI station. When same PI station does not catch in 1 cyclic search, the radio retunes to next station with TP information. In TA SEEK

mode, the unit will seek for traffic announcement program when TA button is pressed; in TA ALARM the unit does not retune to TA information.

MASK DPI/MASK ALL

During AF search, PI stations and non-RDS (Radio Data Station) stations with strong signal will be masked, in the latter case, the non-RDS stations may cause interference, resulting the real AF to be masked due to the misjudgment of the radio under interference. Rotate VOL regulator on the front panel or press VOL+/VOL- buttons on the RC to select the desired mode: MASK DPI and MASK ALL. During MASK DPI mode, the unit will mask only the AF which has different PI, this is the default mode; during MASK ALL mode, the unit will mask the AF which has different PI and no RDS signal with high field strength.

RETUNE S/L - SHORT/LONG

"RETUNE" refers to the time period the unit allows for radio scan when reception is interrupted. "S" represents a time period of 30 seconds and "L" represents a time period of 90 seconds.

SEEK MODE

SEEK 1: When SEEK 1 mode is activated, AUTO SEEK SCAN is stopped when station is detected even user still push SEEK button.

SEEK 2: Auto SEEK SCAN is not stopped even if station is detected if user pushes SEEK button. When releases SEEK button, then stop when station is detected.

STEREO/MONO

When FM stations are weak and are disturbed, listening can be improved by selecting MONO.

LOCAL/DX

"Local" position in areas with strong signals to let radio stop at only strong stations during manual tuning (LOC appears). Select DX (distant) position in areas with weak signals to listen to all stations.

VOL LAST/ADJUST

This function allows setting the volume level of the unit after it was turned off and then turned on again. Choose VOL LAST if you want the volume level to be the same as it was before turning off. VOL ADJUST allows choosing volume level.

Disc/USB/SD/MMC operations

Loading and ejecting a disc

Turn the power on. Detach the front panel and insert the disc with the printed side facing upward into the slot. Press EJECT button to eject the disc.

MMC/SD card slot

Detach the front panel. Carefully insert the SD/MMC card into the card slot on the inner panel. Attach the panel. Unit starts playback automatically.

USB

Carefully connect a USB driver to the miniUSB-USB cable included and then insert it into the USB jack on the front panel. Unit starts playback automatically.

USB/SD/MMC notes:

USB format supports 2.0. Capacity: up to 4 GB.

SD cards capacity: up to 4 GB.

Note: Because of the great variety of products with SD and MMC card slots and their sometimes quite manufacturer-specific functions the producer can neither guarantee that all devices will be recognized nor that all operating options that are possible in theory will actually work. The operations of the MP3 file in the SD/MMC memory card or USB is the same as the MP3 operation for discs.

ID3-tag information

If an MP3 file has ID3-tag information of compatible format, it will be displayed on the LCD. The ID3-tag information may include File, Folder, Music, Album or Artist data.

Next/Previous track

Press NEXT/PREVIOUS buttons to choose next or previous track. Press and hold this button to choose forward playback or backward playback.

Play/Pause

Press PLAY/PAUSE/1 button to pause the playback, press one more time to resume the normal playback.

Intro playback

When INT/2 button is pressed, the first several seconds of each track of the disc is played. Press again to stop intro and listen to track.

Repeat playback

When RPT/3 button is pressed, playback of the selected track will be continually repeated until the track repeat mode is cancelled by pressing RPT/3 button again.

Random

When RDM/4 button is pressed, each track of the disc is played in random instead of normal order. To cancel RANDOM mode, press RDM/4 button again.

10 tracks down/up selection (for MP3 files)

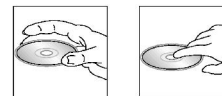
Press -10/5 button to skip 10 tracks back. Press +10/6 button to skip 10 tracks forward.

Selection of MP3 files

- Searching Track: Press AMS buttons, then searching track is activated. Press SEL button, then the first digit is blinking. Turn VOL regulator on the front panel or press VOL+/VOL- buttons on the RC, select first digit you want. Press SEL button, then the first digit is fixed and second digit is blinking. Turn VOL regulator on the front panel or press VOL+/VOL- buttons on the RC, select 2'nd and 3'rd respectively. Then automatically the song you selected will start.
- Searching File Name: Press AMS button twice, then file search is activated. Press SEL button, then the first directory is displayed. Turn VOL regulator on the front panel or press VOL+/VOL- buttons on the RC, you can select the directory you want. Press SEL button again, then the directory is fixed and the first file name is displayed. Turn VOL regulator on the front panel or press VOL+/VOL- buttons on the RC, you can select the file you want. Press SEL button, then the song you selected will start.
- Searching Character: Press AMS button 3 times, then character search mode is activated. Press SEL button, then "A" character is displayed. Turn VOL regulator on the front panel or press VOL+/VOL- buttons on the RC, you can select the letter you want. Press and hold SEL button. The song which has same character you selected is displayed. Turn VOL regulator on the front panel or press VOL+/VOL- buttons on the RC, you can select the song you want. Press SEL button, then the song you selected will start.

Handling compact discs

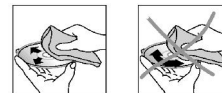
- Do not insert anything other than a CD into the CD loading slot.
- Do not use cracked, chipped, warped, or otherwise damaged discs as they may cause skipping or noise damage the player.
- Handle the disc only by the edges (as shown in the picture). To keep discs clean do not touch its surface.
- Store discs in their cases when not in use.
- Do not expose discs to direct sunlight, high humidity, high temperature or dust.
- Prolonged exposure to extreme temperature (such as leaving the discs in your car during summertime) can warp a disc.
- Do not attach labels, write on or apply chemicals to the surface of the discs.
- Do not touch the recorded surface of the discs.
- Use 12-cm CDs. Use only conventional, fully circular discs. Do not use shaped discs.



Cleaning

Cleaning the cabinet

Wipe with a soft cloth. If the cabinet is very dampen (not dropping wet) the cloth with a weak solution of soapy water, and then wipe clean.



Cleaning discs

Fingerprints should be carefully wiped from the surface of disc with a soft cloth. Unlike conventional records, compact discs have no grooves to collect dust and macroscopic dirt, so gently wiping them with a soft cloth should remove most particles. Wipe in a straight motion from the center to the edge. Never use thinner benzene, record cleaner or anti static spray on a compact disc. Such chemicals can damage its plastic surface.

Troubleshooting guide

Below is a table describing simple measures that can help you eliminate most problems likely to emerge when this unit is in use. If below measures do not help, turn to a service center or to the nearest dealer.

Symptom	Cause	Solution
No power	The car ignition is not on. The fuse is blown.	If the power supply is properly connected to the car accessory switch the ignition key to "ACC". Replace the fuse.
Disc cannot be loaded.	Presence of disc inside the player.	Remove the disc in the player then put a new upward.
Disc cannot be read.	Inserting the disc in upside down. Compact disc is extremely dirty or defective. Temperature inside the car is too high.	Insert the compact disc with the label facing upward. Clean the disc or try to play a new one. Cool off until the ambient temperature returns to normal.
No sound	Volume is in minimum. Wiring is not properly connected.	Adjust volume to a desired level. Check wiring connection.
The operation keys do not work.	The built-in microcomputer is not operating properly due to noise. Front panel is not properly fix into its place.	Press the power button for about 10 seconds to reset the unit
Sound skips.	The installation angle is more than 30 degrees. The disc is extremely dirty or defective.	Adjust the installation angle to less than 30 degrees. Clean the compact disc/try to play a new one.
The radio does not work, the radio station automatic selection does not work.	The antenna cable is not connected the signals are too weak.	Insert the antenna cable firmly select a station manually.
The display shows an error message (ERROR 1 – 11) one time.	Possible disc error.	Reset the unit by pressing RESET hole. Ensure the disc is inserted correctly into the slot. Clean or change the disc.
The display shows an error message (ERROR 1 – 11) repeatedly.	Unit operation error.	Turn to a service center.

Specification

General	
Power supply	12 V DC
Current consumption	10 A
Maximum power output	4 x 50 W
Dimensions (L x W x H)	178 x 50 x 163 mm
FM stereo radio	
Frequency range	65 – 74 MHz / 87.5 – 108.0 MHz
Usable sensitivity	12 dBu
I.F. Frequency	10.7 MHz
Preset stations	24
MW Section	
Frequency range	522 kHz – 1620 kHz
I.F. Frequency	450 kHz
Preset stations	12
Disc player	
System	Compact disc audio system
Supported storages	CD/CD-R/CD-RW, USB/SD/MMC
Supported formats	CDDA/MP3
Frequency response	20 Hz – 20 KHz
ESP	40 sec. for CD, 120 sec. for MP3
Signal to noise CD	>60 dB
Line out	2 stereo outputs RCA (2 V)

Specifications are subject to change without notice. Dimensions are approximate.

Уважаемый покупатель!

Благодарим Вас за покупку нашего изделия. Для обеспечения безопасности рекомендуется тщательно изучить настоящее руководство перед подключением, эксплуатацией и/или регулировкой изделия, и сохраняйте руководство для использования в будущем.

Содержание

СОДЕРЖАНИЕ.....	26
МЕРЫ ПРЕДОСТОРОЖНОСТИ.....	27
КОМПЛЕКТ ПОСТАВКИ.....	28
УСТАНОВКА/ПОДКЛЮЧЕНИЕ.....	29
ЭЛЕМЕНТЫ УПРАВЛЕНИЯ.....	35
СИМВОЛЫ НА ЖК-ДИСПЛЕЕ.....	39
ОБЩИЕ ОПЕРАЦИИ	40
ОПЕРАЦИИ С РАДИО.....	42
СИСТЕМА РАДИО ДАННЫХ (RDS)	43
ОПЕРАЦИИ С ДИСКАМИ/USB/КАРТАМИ ПАМЯТИ SD/MMC	46
ОБРАЩЕНИЕ С КОМПАКТ-ДИСКАМИ.....	49
ЧИСТКА И УХОД.....	49
РУКОВОДСТВО ПО УСТРАНЕНИЮ НЕИСПРАВНОСТЕЙ.....	50
ТЕХНИЧЕСКИЕ ХАРАКТЕРИСТИКИ.....	51

Меры предосторожности

- Тщательно изучите настоящую инструкцию, чтобы ознакомиться с устройством.
- Началом эксплуатации устройства считается момент его установки в автомобиль. Перед началом использования аппарата в зимний период рекомендуется прогреть салон автомобиля в течение 20 минут или до достижения эксплуатационного диапазона температуры аппарата.
- Использование аппарата при температуре, выходящей за рамки эксплуатационного диапазона температур, значительно снижает ресурс работы экрана и других компонентов аппарата и может привести к выходу аппарата из строя.
- При установке и подключении изделия отключите отрицательную клемму аккумулятора автомобиля.
- При замене предохранителя, убедитесь, что вы устанавливаете предохранитель с тем же номиналом. Используя предохранитель с повышенным значением тока, можно причинить значительные повреждения изделию.
- Не пытайтесь разбирать устройство. Лазерные лучи, исходящие из блока оптической головки считывания информации с компакт-диска, опасны для глаз.
- Не используйте устройство в местах, где оно может подвергнуться воздействию воды, влаги и пыли.
- Убедитесь, что шпильки или другие посторонние предметы не попали внутрь изделия. Они могут вызвать сбой в работе или стать причиной опасности, возгорания или поражения лазерным лучом.
- Не открывайте крышки и не проводите ремонт самостоятельно. Обратитесь к дилеру или квалифицированному персоналу
- Убедитесь, вы отключили источник питания и антенну, если вы не будете пользоваться системой в течение длительного времени или во время грозы.
- Убедитесь, что вы отключили источник питания, если обнаружена неправильная работа системы, система издает необычные звуки, запах, выделяет дым или внутрь ее попала жидкость. Проведите квалифицированный технический осмотр системы.
- Устройство разработано таким образом, чтобы отрицательный вывод аккумулятора был подключен к корпусу транспортного средства. Пожалуйста, убедитесь в этом перед установкой.
- Не позволяйте проводам динамиков касаться друг друга или корпуса автомобиля после включения прибора. В противном случае, может быть перегружен или выйти из строя усилитель.

Комплект поставки

1. Ресивер	1 шт
2. Передняя панель	1 шт
3. Защитный футляр для передней панели	1 шт
4. ISO коннектор	1 шт
5. Пульт дистанционного управления	1 шт
6. Переходник miniUSB-USB	1 шт
7. Детали для установки:	
Шестигранная гайка M5 T	1 шт
Кожух	1 шт
Ключи-съёмники	2 шт
Металлическая пластина	1 шт
Внешняя рамка	1 шт
Шайба	2 шт
Винт (5X25 мм)	1 шт
Винт M4X5	4 шт
Винт M5X5	4 шт
8. Информация для потребителя	1 шт
9. Гарантийный талон	1 шт
10. Руководство по эксплуатации	1 шт

Установка/Подключение

- Перед окончательной установкой устройства временно подключите все провода и убедитесь, что все соединения выполнены верно, а устройство и система работают правильно.
- Для обеспечения правильной установки устройства используйте только те детали, которые входят в комплект. Использование других приспособлений может привести к появлению сбоев в его работе.
- Если для установки устройства необходимо сверлить отверстия в кузове автомобиля или вносить какие-либо другие изменения в его конструкцию, проконсультируйтесь с продавцом.
- Устанавливайте устройство там, где оно не будет закрывать водителю обзор и отвлекать от дорожной обстановки и не сможет нанести травм пассажирам в случае внезапной остановки автомобиля, например, при экстренном торможении.
- Если при установке устройства угол относительно горизонтальной плоскости превышает 30°, рабочие характеристики проигрывателя могут быть не оптимальны.
- Никогда не устанавливайте устройство в таких местах, где оно будет подвергаться воздействию высокой температуры, например, в местах попадания прямых солнечных лучей, в местах выхода горячего воздуха от отопителя автомобиля, в местах, где очень грязно или пыльно, или там, где устройство будет подвергаться сильной вибрации.
- Перед установкой устройства обязательно снимите переднюю панель.

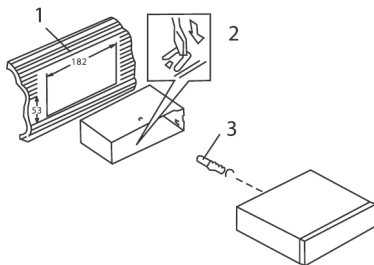
Установка устройства в приборную панель автомобиля «спереди» или «сзади»

Данное устройство может быть установлено либо «спереди» (обычная установка стандарта DIN в приборную панель автомобиля), либо «сзади» (установка стандарта DIN, при которой используются отверстия на боковых сторонах корпуса проигрывателя, имеющие резьбу под винты). Более подробно методы установки А и Б описываются ниже.

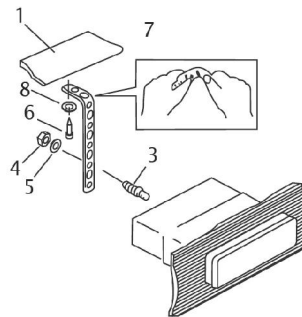
Установка устройства в приборную панель автомобиля «спереди» (Метод А)

Установка устройства

1. Приборная панель автомобиля
2. Монтажный кожух.
3. Винт
4. Гайка
5. Пружинная шайба
6. Винт
7. Опорная планка.
8. Плоская шайба



1. Установите монтажный кожух в приборную панель автомобиля, убедитесь, что он установлен правильной стороной и нет препятствий (провода, элементы приборной панели) для установки магнитолы.
2. После установки монтажного кожуха в приборную панель отогните на нем металлические язычки, соответствующие толщине приборной панели. Это позволит закрепить кожух на месте.
3. Обязательно используйте опорную планку для закрепления задней стороны проигрывателя. Определите место крепления и установите ее согласно приведенному рисунку. Планку можно согнуть руками под нужным углом.
4. Подключите необходимые провода и разъемы. Убедитесь в правильности подключения.
5. Установите магнитолу в монтажный кожух до фиксации боковых защелок.



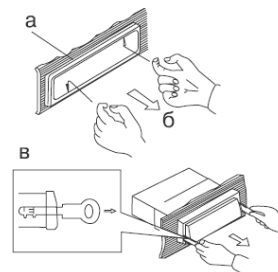
Снятие устройства

а – Декоративная рамка

б – Направление снятия рамки

в – Установка ключей съемников

1. Выключите магнитолу и снимите переднюю панель.
2. Вставьте пальцы в канавку на передней стороне декоративной рамки (рамка снимается с небольшим усилием). Потяните рамку на себя, чтобы снять ее.
3. Вставьте входящие в комплект ключи съемники с обеих сторон корпуса устройства, как показано на рисунке, до щелчка. Для того чтобы извлечь устройство из приборной панели, потяните за съемники или магнитолу и вытяните её на себя (перед снятием убедитесь, что магнитола не зафиксирована с опорной планкой).



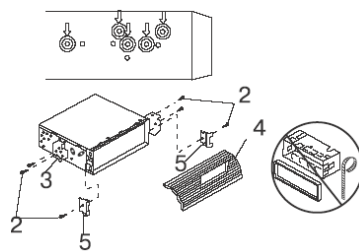
Установка декоративной рамки

Для установки декоративной рамки прижмите ее к корпусу устройства и нажмите, чтобы вставить на место. Это необходимо сделать до установки передней панели, иначе вы не сможете установить декоративную рамку на место (При установке рамки на место направьте сторону с канавкой вниз и закрепите ее.).

Установка устройства в приборную панель автомобиля «сзади» (Метод Б)

В данном случае установки используются отверстия для винтов на боковых сторонах устройства. Закрепите устройство с помощью штатных кронштейнов крепления радиоприемника.

1. Выберите такое положение, в котором отверстия для винтов на кронштейне (3) будут совмещены с отверстиями для винтов на корпусе устройства и вкрутите по два винта (2) с каждой стороны.
2. Винт.
3. Монтажный кронштейн штатного радиоприемника.
4. Приборная панель или консоль автомобиля.
5. Зашелка (снимите эту деталь).



Примечание: При установке по методу Б монтажный кожух и внешняя декоративная рамка не используются.

Установка передней панели

Вставьте левую сторону панели в пазы ресивера, затем вставьте правую часть.

Установите панель в вертикальное положение до щелчка. Убедитесь в том, что панель плотно закреплена в ресивере. Иначе на дисплее могут отобразиться символы ошибок или некоторые кнопки не будут функционировать.

Нажмите кнопку OPEN, чтобы отсоединить панель. Когда панель окажется в горизонтальном положении, аккуратно сдвиньте ее влево и снимите.

Система против кражи

Если устройство не используется, переднюю панель можно отсоединить и поместить в защитный футляр, входящий в комплект поставки. Панель в футляре можно взять с собой, когда Вы покидаете автомобиль. Это позволяет избежать кражи панели.

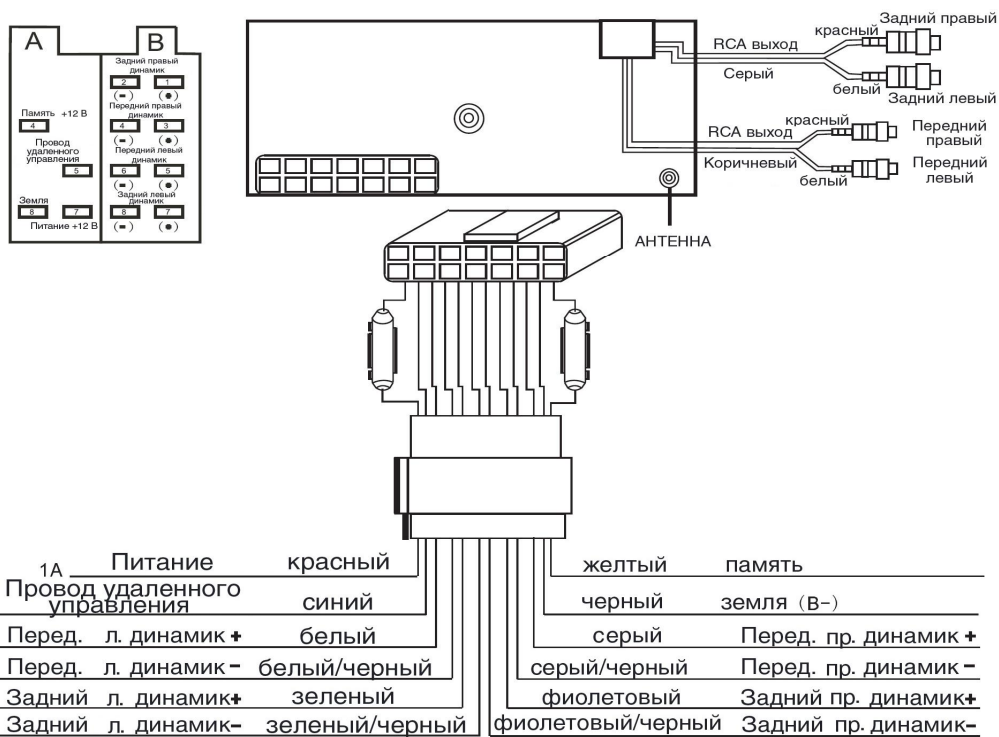
Отключите питание устройства. Снимите переднюю панель и поместите ее в предохранительный футляр.

Внимание: Панель может повредиться из-за внешних факторов: тряски, ударов. После снятия ее с устройства держите панель в защитном футляре и старайтесь не ронять и не наносить физических повреждений.

Очень важным элементом является коннектор на задней части панели. Не нажимайте на него ногтями, ручками, отвертками.

Примечание: Если панель загрязнилась или запылилась, протрите ее сухой чистой тканью. Для чистки разъема в задней части панели используйте тампон, смоченный изопропиловым спиртом.

Схема подключения

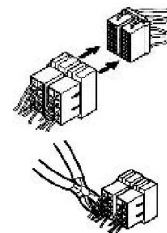


Примечания:

- Независимо от вида динамиков следует использовать динамики с сопротивлением, равным 4 Ом, для уменьшения искажений при повышенной громкости.
- Запрещается соединять провода авто антенны и заземления между собой.

Использование разъема ISO

1. Если в Вашем автомобиле есть разъем ISO, произведите подключение, как показано на рисунке.
2. Для подключений без разъемов ISO внимательно проверьте все провода перед подключением, неправильное подключение может привести к повреждениям изделия. Обрежьте разъем, подключите цветные головки разъема к шнуру питания батареи в соответствии с приведенной таблицей.



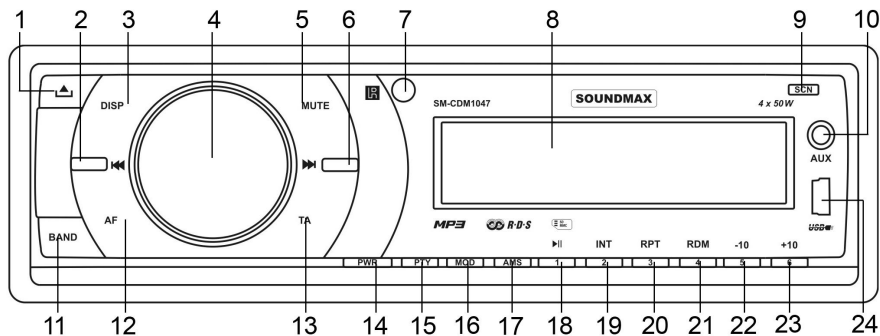
Номер	Функция	
	Разъем А	Разъем В
1		Задний правый(+)--Фиолетовый
2		Задний правый(-)--Фиолетовый/Черный
3		Передний правый(+)--Серый
4	Питание 12В (+)/желтый	Передний правый(-)--Серый/Черный
5	Питание антенны/синий	Передний левый(+)--Белый
6		Передний левый((-)--Белый/Черный
7	Зажигание/красный	Задний левый(+)--Зеленый
8	Заземление/черный	Задний левый(-)--Зеленый/Черный

Провод питания антенны предназначен для подачи питания на антенну и для удаленного управления дополнительным усилителем.

Элементы управления

Передняя панель

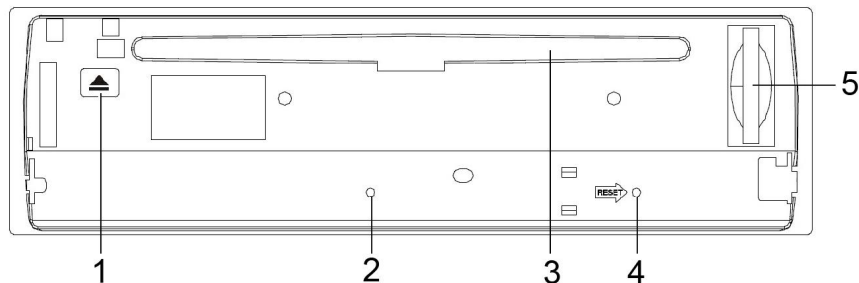
1. Кнопка OPEN
2. Кнопка PREVIOUS
3. Кнопка DISP
4. Кнопка SEL/Регулятор VOL
5. Кнопка MUTE
6. Кнопка NEXT
7. ИК-сенсор
8. Датчик
9. Кнопка SCN
10. Вход AUX
11. Кнопка BAND
12. Кнопка AF
13. Кнопка TA
14. Кнопка PWR
15. Кнопка PTY
16. Кнопка MOD
17. Кнопка AMS
18. Кнопка PLAY/PAUSE/1
19. Кнопка INT/2
20. Кнопка RPT/3
21. Кнопка RDM/4
22. Кнопка -10/5
23. Кнопка +10/6
24. USB-порт



Внутренняя панель

Нажмите кнопку OPEN, чтобы отсоединить переднюю панель.

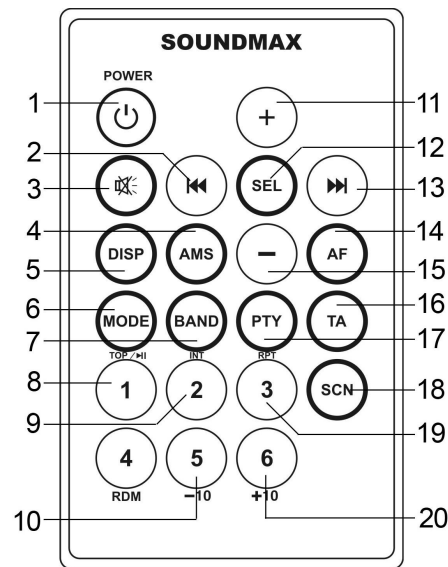
1. Кнопка EJECT
2. Индикатор состояния панели
3. Слот для дисков
4. Кнопка (отверстие) RESET
5. Слот для карт памяти SD/MMC



При нажатии кнопки RESET все выполненные установки будут удалены из памяти устройства. Индикатор состояния панели загорается, когда панель опущена, и мигает при снятии панели.

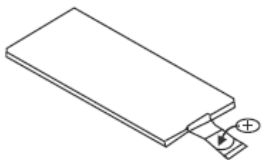
Пульт дистанционного управления (ПДУ)

1. Кнопка POWER
2. Кнопка PREVIOUS
3. Кнопка MUTE
4. Кнопка AMS
5. Кнопка DISP
6. Кнопка MODE
7. Кнопка BAND
8. Кнопка PLAY/PAUSE/1
9. Кнопка INT/2
10. Кнопка -10/5
11. Кнопка VOL+
12. Кнопка SEL
13. Кнопка NEXT
14. Кнопка AF
15. Кнопка VOL-
16. Кнопка TA
17. Кнопка PTY
18. Кнопка SCN
19. Кнопка RPT/3
20. Кнопка +10/6

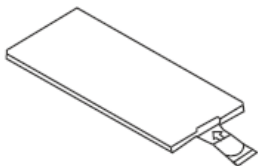


SOUNDMAX

Замена батарей в ПДУ:



Извлеките лоток для батарей из корпуса ПДУ. Вставьте одну батарею типа CR 2025 3В знаком плюса (+) вверх.



Вставьте лоток для батарей в корпус ПДУ.

Примечания:

Не позволяйте детям играть с батареями.

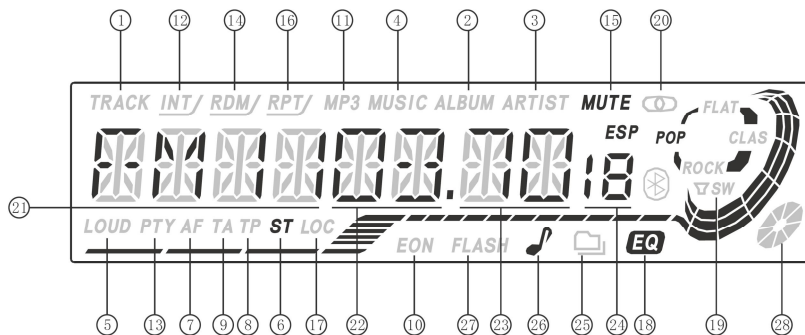
Неправильное использование батарей может стать причиной перегрева или возгорания, что в свою очередь ведет к пожару.

Утечка батарей может сделать причиной повреждения пульта управления (Срок работы батарей – 6 месяцев при эксплуатации в обычных условиях при комнатной температуре).

Не закорачивайте полюса батареи. Не бросайте батареи в огонь.

Символы на ЖК-дисплее

1. Индикатор воспроизведения трека
2. Отображение названия альбома
3. Отображения имени исполнителя
4. Отображение названия композиции
5. Индикатор функции усиления низких частот
6. Индикатор стерео приема сигнала
7. Индикатор работы функции AF
8. Индикатор работы функции TP
9. Индикатор работы функции TA
10. Индикатор работы функции EON
11. Воспроизведение файла MP3
12. Индикатор функции предпрослушивания
13. Индикатор работы функции PTY
14. Индикатор функции произвольного воспроизведения
15. Индикатор отключения звука
16. Индикатор функции повторного воспроизведения
17. Индикатор приема местных радиостанций
18. Индикатор режима эквалайзера
19. Индикатор функции сабвуфера (не активен)
20. Индикатор стерео сигнала
21. Отображение номера трека/текущий поддиапазон
22. Минуты воспроизведения трека/радиочастота
23. Секунды воспроизведения трека/радиочастота
24. Отображение номера диска
25. Отображение имени папки
26. Отображение имени файла
27. Индикатор USB/карты памяти
28. Статичное отображение: диск воспроизводится/Мигание: диск на паузе



Общие операции

Включение устройства

Нажмите любую кнопку на панели (кроме кнопок OPEN и EJECT) или вставьте диск в слот, чтобы включить устройство. Нажмите кнопку PWR (POWER), чтобы отключить питание устройства.

Регулирование уровня громкости

Вращайте регулятор VOL на передней панели или нажимайте кнопки VOL+/VOL-, чтобы отрегулировать уровень громкости.

Отключение звука

Нажмите кнопку MUTE, чтобы отключить звук. Нажмите кнопку повторно или регулируйте громкость, чтобы включить звук.

Регулировка параметров аудио

Нажимайте кнопку SEL на передней панели, чтобы выбрать параметр: BAS (низкие частоты) => TRB (высокие частоты) => BAL (баланс левые/правые динамики) => FAD (баланс задние/передние динамики). Вращайте регулятор VOL на передней панели или нажимайте кнопки VOL+/VOL-, чтобы отрегулировать каждый параметр.

Примечание: При включенном эквалайзере регулирование высоких и низких частот невозможно.

Внимание: Каждая настройка отображается на дисплее в течение нескольких секунд. Если в течение этого времени ни одна кнопка не была нажата, дисплей вернется в обычный режим.

Выбор режима

Нажимайте кнопку MODE, чтобы выбрать режим работы устройства: AUX => Радио => CDP (диск) => Карта памяти => USB.

Тонкомпенсация

Нажмите и удерживайте кнопку SEL, затем нажимайте ее до отображения на дисплее LOUD ON (OFF). Вращайте регулятор VOL на передней панели или нажимайте кнопки VOL+/VOL- для выбора LOUD ON (вкл) или OFF (выкл). Данная функция полезна, если вы хотите уменьшить уровень звука без потери четкости звучания.

Часы

Нажмите кнопку DISP для переключения между отображением часов и информации текущего режима на дисплее. Нажмите и удерживайте кнопку DISP; часы будут мигать. Вращайте регулятор VOL по часовой стрелке, чтобы установить часы; вращайте регулятор против часовой стрелки, чтобы установить минуты.

Выбор режима эквалайзера

Нажмите и удерживайте кнопку SEL, затем нажимайте ее до отображения на дисплее DSP OFF (DSP ON). Вращайте регулятор VOL на передней панели или нажимайте кнопки VOL+/VOL- для выбора режима эквалайзера: POP M => ROCK M => CLASSICS => FLAT => DSP OFF (выкл).

Функция BEEP (звуковой сигнал нажатия кнопки)

Нажмите и удерживайте кнопку SELECT; затем нажимайте ее до отображения надписи BEEP OFF (BEEP ON). Вращайте регулятор VOL на передней панели или нажимайте кнопки VOL+/VOL- для выбора одного из следующих режимов:

BEEP OFF – нажатия кнопок не сопровождаются звуковым сигналом

BEEP ON – любое нажатие кнопки сопровождается звуковым сигналом

Функция сброса

Кнопку (отверстие) RESET следует нажимать тонким металлическим предметом (например, шариковой ручкой). Функция сброса используется в следующих случаях:

- Начало работы с устройством, после его подключения.
- Кнопки устройства не работают.
- На дисплее отображается символ ERROR (ошибка).

Вход AUX

Разъем AUX предназначен для подключения внешнего аудиоустройства с целью усиления звука. В случае правильного подключения аудиосигнал от внешнего источника будет транслироваться через акустику головного устройства. Это дает возможность регулировать громкость и качество звучания. Например, Вы можете подключить MP3-проигрыватель для прослушивания аудиозаписей через акустику автомобиля.

Операции с радио

Выбор диапазона

Нажимайте кнопку BAND, чтобы выбрать диапазон в режиме радио: FM1, FM2, FM3, FM4 (OIRT), MW1 (AM1), MW2 (AM2). В каждом диапазоне можно сохранить до 6 радиостанций, общее количество сохраняемых радиостанций составляет 36.

Настройка радио

Нажмите кнопку PREVIOUS или NEXT; устройство автоматически осуществит поиск ближайшей станции с сильным сигналом. Для поиска следующих станций повторяйте эти действия. Чтобы остановить процесс автоматического поиска станции, нажмите кнопку PREVIOUS или NEXT.

Нажмите и удерживайте кнопку PREVIOUS или NEXT, чтобы активировать режим ручного поиска станций (на дисплее отобразится надпись MANUAL). Нажимайте кнопки PREVIOUS/NEXT, чтобы выполнить настройку частоты вручную. Если в течение нескольких секунд Вы не нажимаете одну из этих кнопок, устройство вернется к режиму автоматического поиска.

Автоматическое сохранение/Сканирование

- Автоматическое сканирование и сохранение: Нажмите и удерживайте кнопку AMS; приемник автоматически выполнит сканирование диапазона и сохранит станции с сильным сигналом.
- Сканирование: Нажмите кнопку AMS, приемник выполнит сканирование сохраненных станций в каждом диапазоне.

Сохранение и вызов радиостанций

На панели устройства есть 6 кнопок с цифрами, с помощью которых Вы можете сохранять и включать радиостанции в каждом диапазоне. Выберите нужную радиостанцию, затем нажмите и удерживайте кнопку с цифрой. Станция будет сохранена в памяти устройства под этой цифрой. Для вызова сохраненной станции нажмите соответствующую кнопку с цифрой.

Система радио данных (RDS)

Сервис RDS

Сервис RDS (Система радио данных) доступен не во всех регионах. Имейте в виду, что если услуга RDS не доступна в Вашем регионе, то данная функция не будет работать.

Функция AF (альтернативные частоты)

При слабом сигнале функция альтернативных частот позволяет приемнику настраиваться на другие станции с тем же идентификационным кодом, что и текущая станция, но с более сильным сигналом. При этом вместо частоты на дисплее появится название станции.

Нажмите кнопку AF, чтобы включить или выключить функцию AF. При включенном режиме AF радио постоянно проверяет силу сигнала альтернативных частот, на которых может транслироваться RDS программа. Если сигнал слабый или исчезает, приемник будет автоматически искать другую частоту с этой программой.

Если служба RDS не доступна в Вашей местности, выключите режим AF. По умолчанию функция включена. Если символ AF отображается на дисплее статично, это означает, что режим AF активен и идет прием информации RDS. Если символ мигает, режим активен, но информация RDS отсутствует. Если символ AF не отображается, это означает, что режим AF отключен.

Режим REGIONAL

Нажмите и удерживайте кнопку AF, чтобы включить режим REGIONAL. На дисплее будет отображаться символ REG ON (OFF). Нажимайте кнопку AF для выбора ON (вкл) или OFF (выкл).

REG ON (вкл): во время поиска AF и TA передатчик приемник будет настраиваться на те станции, PI-код которых совпадает с кодом текущей станции.

REG OFF (выкл): PI-код будет игнорироваться и будет возможен прием региональных станций.

Функция TA (программы о дорожном движении)

В режиме радио нажмите кнопку TA для включения/отключения функции TA. Начнется автоматический поиск программ дорожного движения вне зависимости от текущего режима.

Когда программа будет найдена, начнется ее трансляция. Чтобы прервать трансляцию, нажмите кнопку TA; устройство вернется к предыдущему режиму; это не повлечет за собой отключения функции TA. Когда программа закончится, устройство автоматически вернется к текущему режиму.

Функция PTY (тип программы)

FM-станции, поддерживающие сервис RDS, передают идентифицирующий сигнал типа программы. Нажмите кнопку PTY, чтобы выбрать категорию музыкальных программ. Затем нажимайте кнопки с цифрами 1-6, чтобы выбрать разные типы музыкальных программ. Нажмите кнопку PTY дважды, чтобы выбрать категорию информационных программ. Затем нажмите кнопки с цифрами 1-6, чтобы выбрать нужный тип информационных программ. Каждый номер содержит три разных информационных программы на выбор.

Кнопка	Музыкальные программы		Информационные программы	
1	Pop, Rock	Поп-музыка, Рок-музыка	News, Affairs, Info	Новости, Текущая информация, Общая информация
2	Easy, Light	Легкая музыка, Легкая классическая музыка	Sport, Educate, Drama	Спортивные новости, Образовательные программы, Радиопостановки и сериалы
3	Classics	Классическая музыка	Culture, Science, Varied	Культурные программы, Наука и техника, Развлекательные программы
4	Jazz, Country	Джаз, Музыка кантри	Weather, Finance, Children	Метеорологическая информация, Коммерция, Программы для детей
5	Nation, Oldies	Национальная музыка, Музыка ретро	Social, Religion, Phone IN	Социальные новости, Религиозные программы, Ток-шоу
6	Folk	Народная музыка	Travel, Leisure, Document	Программы для путешественников, Хобби и развлечения, Документальные программы

При включенной функции PTY приемник начинает поиск соответствующего типа программы; поиск останавливается, когда программа найдена. Если в течение нескольких секунд ни одна программа не была выбрана, приемник настроится на предыдущую программу. Если за один цикл нужный тип программы не найден, приемник вернется к текущему режиму.

Дополнительные функции

Нажимайте и удерживайте кнопку SEL до отображения на дисплее нужной функции. Вращайте регулятор VOL на передней панели или нажимайте кнопки VOL+/VOL-, чтобы выбрать нужную опцию. После осуществления выбора несколько секунд не нажимайте никаких кнопок, чтобы активировать изменения.

Функция TA SEEK/TA ALARM

Если радиоприемник настраивается на радиостанцию, которая не передает информацию TP (Traffic Program – программы с информацией о дорожном движении) в течение определенного времени (RETUNE), радиоприемник перенастраивается на следующую станцию, которая не имеет тот же PI (код идентификации программы), что и предыдущая радиостанция, но передает информацию TP. В режиме TA SEEK устройство выполнит поиск программ о дорожном движении при нажатии кнопки TA; TA ALARM: когда выбран данный режим, функция автоматической перенастройки радиоприемника не работает. Вместо этого радиоприемник включает звуковое оповещение.

Функция MASK DPI/MASK ALL

После включения режима AF (поиск альтернативных частот с той же программой), программа, которую Вы прослушиваете, может быть замещена другой программой, которая вещает на той же частоте. Чтобы этого избежать, активируйте функцию MASK DPI. В режиме MASK DPI устройство маскирует только альтернативные частоты с разными информационными программами. В режиме MASK ALL устройство маскирует и информационные программы, и станции, не поддерживающие RDS.

Функция RETUNE S/L - SHORT/LONG

«RETUNE» означает временной интервал прерывания радио сигнала для сканирования. «S» означает интервал в 30 секунд, «L» означает интервал в 90 секунд.

Режим SEEK

SEEK 1: В данном режиме при обнаружении станции автопоиск будет остановлен даже в случае последующего нажатия кнопки SEEK.

SEEK 2: При нажатии и удерживании кнопки SEEK автопоиск будет продолжен даже при обнаружении станции. Если Вы отпустите кнопку SEEK, поиск будет остановлен после обнаружения станции.

STEREO/MONO (стерео/моно режим)

При низком качестве приема FM-сигнала выберите режим моно, это может улучшить прием сигнала.

LOCAL/DX (прием местных/удаленных радиостанций)

Эта функция позволяет выбирать режимы LOCAL и DISTANT (DX) (режим приема местных или удаленных радиостанций; это влияет на чувствительность тюнера и на качество принимаемого радио сигнала).

VOL LAST/ADJUST (Уровень звука после включения)

С помощью этой функции можно выбрать уровень звука, который сохранится после включения ресивера. Выберите VOL LAST, если вы хотите, чтобы уровень звука перед выключением сохранился.

VOL ADJUST: выберите необходимый уровень звука.

Операции с дисками/USB/картами памяти SD/MMC

Загрузка и извлечение диска

Включите питание устройства. Отсоедините переднюю панель и поместите диск в слот маркированной стороной вверх. Нажмите кнопку EJECT, чтобы извлечь диск.

Загрузка карт памяти SD/MMC

Отсоедините переднюю панель. Вставьте SD/MMC карту в соответствующий слот, расположенный на внутренней панели. Установите переднюю панель. Начнется воспроизведение первого трека.

USB порт

Вставьте USB носитель через входящий в комплект поставки переходник MiniUSB-USB в USB порт, расположенный на передней панели за резиновым предохранителем. Автоматически начнется воспроизведение первого трека.

Примечания по USB/SD/MMC разъемам:

USB: Поддержка формата USB 2.0. Емкость: до 4 Гб.

SD: Емкость: до 4 Гб.

Примечание: устройство может не воспроизводить некоторые модели USB-накопителей и карт памяти. Используйте только лицензионные накопители известных брендов.

- Операции с файлами, содержащимися на USB-накопителе и картах памяти аналогичны операциям, описанным с файлами на дисках.

Информация об ID3-тегах

Если MP3-файл содержит информацию ID3 в совместимом формате, такая информация будет отображаться на дисплее при воспроизведении трека. ID3-информация может включать в себя данные о файле, папке, музыке, альбоме и исполнителе.

Выбор трека

Нажмите кнопку NEXT или PREVIOUS, чтобы выбрать следующий или предыдущий трек. Нажмите и удерживайте эту кнопку, чтобы начать ускоренное воспроизведение трека вперед или назад.

Переход на 10 треков

Во время воспроизведения MP3-файлов нажимайте кнопки -10/5/ или +10/6, чтобы перейти на 10 треков назад или вперед.

Пауза

Нажмите кнопку PLAY/PAUSE/1, чтобы поставить воспроизведение на паузу; нажмите кнопку еще раз, чтобы возобновить воспроизведение.

Предпрослушивание

Во время воспроизведения нажмите кнопку INT/2, чтобы началось проигрывание первых нескольких секунд каждого трека. Нажмите еще раз, чтобы вернуться в нормальный режим воспроизведения.

Повтор

Нажмите кнопку RPT/3, активируется режим повтора воспроизведения текущего трека. Нажмите кнопку еще раз, чтобы вернуться в режим нормального воспроизведения.

Воспроизведение в произвольном порядке

Нажмите кнопку RDM/4, активируется режим воспроизведения треков в произвольном порядке. Нажмите кнопку еще раз, чтобы вернуться в режим нормального воспроизведения.

Поиск MP3-файлов

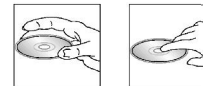
- Поиск трека: Нажмите кнопку AMS, активируется режим поиска. Нажмите кнопку SEL, начнет мигать первая цифра. Вращайте регулятор VOL на передней панели или нажимайте кнопки VOL+/VOL-, чтобы выбрать нужную цифру. Нажмите кнопку SEL, начнет мигать вторая цифра. Вращайте регулятор VOL на передней панели или нажимайте кнопки VOL+/VOL-, чтобы выбрать нужную цифру, и т.д. Нажмите кнопку SELECT, начнется воспроизведение выбранного трека.
- Поиск по имени файла: Нажмите кнопку AMS дважды, активируется режим поиска. Нажмите кнопку SEL, отобразится название первой папки. Вращайте регулятор VOL на передней панели или нажимайте кнопки VOL+/VOL-, чтобы выбрать нужную папку. Нажмите кнопку SEL еще раз, папка выбрана, отобразится название первой песни в папке. Вращайте регулятор VOL на передней панели

или нажимайте кнопки VOL+/VOL-, чтобы выбрать нужный файл. Нажмите кнопку SEL, чтобы начать воспроизведение выбранного трека.

- Поиск по буквам: Нажмите кнопку AMS 3 раза, активируется режим поиска. Нажмите кнопку SEL, отобразится буква "A". Вращайте регулятор VOL на передней панели или нажимайте кнопки VOL+/VOL-, чтобы выбрать нужную букву. Нажмите и удерживайте кнопку SEL в течение 2 секунд. Песня, название которой совпадает с критериями вашего поиска, отобразится на дисплее. Вращайте регулятор VOL на передней панели или нажимайте кнопки VOL+/VOL-, чтобы выбрать нужную песню. Нажмите кнопку SEL, чтобы начать воспроизведение выбранной песни.

Обращение с компакт-дисками

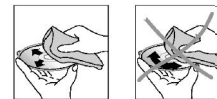
- Грязные, поцарапанные или погнутые диски могут вызвать искажение звука или шумы.
- Держите диск только за края (как показано на рисунке). Чтобы обеспечить чистоту, не прикасайтесь к его поверхности.
- Диски должны храниться в их чехлах после использования, чтобы не поцарапать их поверхность.
- Не подвергайте диски воздействию прямого солнечного света, повышенной влажности, повышенным температурам или пыли.
- Продолжительное влияние предельных температур может изогнуть диск (например, пребывание дисков в автомобиле в летнее время).
- Не царапайте и не пишите что-либо на любой стороне диска. Острые пишущие инструменты или чернила, используемые в них, могут повредить поверхность диска.
- Не прикасайтесь к стороне, не имеющей маркировки.
- Не прикрепляйте какую-либо печать, этикетку или лист предохранения данных к какой-либо стороне диска.
- Данное изделие не может воспроизводить диски размером 3 дюйма (8 см).
- Никогда не используйте диски размером 3 дюйма, установленный в адаптер, или диски нестандартной формы. Изделие не сможет выбросить его, что приведет к сбою.



Чистка и уход

Чистка корпуса

Протирайте мягкой тканью. Если корпус очень загрязнен (не мочите его), используйте ткань, слегка смоченную мыльным раствором, и затем вытрите его сухой тканью.



Чистка дисков

Отпечатки пальцев должны быть тщательно стерты с поверхности диска мягкой тканью. В отличие от обычных пластинок, компакт-диски не имеют канавок для сбора пыли и микроскопических частиц грязи, поэтому осторожно вытирайте их мягкой тканью, чтобы убрать частицы грязи. Вытирайте прямолинейным движением от центра к краю.

Никогда не используйте растворитель, бензин, очиститель пластинок или антистатический аэрозоль для чистки дисков. Такие химические вещества могут повредить его пластиковые поверхности.

Руководство по устранению неисправностей

Ниже приводится таблица, в которой описаны простые проверки, способные помочь Вам устранить большую часть проблем, могущих возникнуть при использовании данного устройства. Если нижеуказанные меры не помогли, обратитесь в сервисный центр или к ближайшему

Неисправность	Причина	Решение
Нет питания	Зажигание машины не включено. Сгорел предохранитель.	Если источник питания подключен надлежащим образом к выключателю машины, установите ключ зажигания в положение "ACC". Замените предохранитель.
Невозможно загрузить диск	В плеер установлен диск.	Удалите диск из плеера, затем установите новый.
Невозможно считать диск	Диск установлен верхней стороной вниз. Диск загрязнен или имеет дефект. Температура внутри машины очень высокая.	Установите компакт диск стороной с этикеткой вверх. Очистите диск или установите новый. Подождите, пока температура не станет нормальной.
Нет звука	Звук установлен на минимум. Кабель не подключен надлежащим образом.	Отрегулируйте звук до необходимого уровня. Проверьте подключение кабеля.
Не действуют кнопки	Встроенный микрокомпьютер не работает надлежащим образом из-за шумов. Передняя панель не установлена на свое место.	Нажмите кнопку POWER и держите в течение 10 секунд, чтобы сбросить настройки.
Звук пропадает	Угол установки устройства более 30 градусов. Диск загрязнен или имеет дефект.	Отрегулируйте угол установки, установив его менее 30 градусов. Очистите диск или установите новый.

Радио не работает. Не работает автоматический выбор радиостанции	Антенный кабель не подключен. Сигналы слишком слабы.	Вставьте антенный кабель надежно. Выберите станцию вручную.
Однократное отображение на дисплее сообщения об ошибке (ERROR 1 – 11)	Возможна ошибка диска.	Выполните перезапуск устройства с помощью кнопки RESET. Убедитесь, что диск установлен в устройство правильно. Очистите или замените диск.
Повторяющееся отображение на дисплее сообщения об ошибке (ERROR 1 – 11)	Ошибка в работе устройства.	Обратитесь в сервисный центр.

Технические характеристики

Общие	
Источник питания	12 В, постоянный ток
Потребляемый ток	10 А
Максимальная выходная мощность	4 x 50 Вт
Размеры (Д x Ш x В)	178 x 50 x 163 мм
Сtereo FM радио	
Частотный диапазон	65 – 74 МГц / 87,5 – 108,0 МГц
Используемая чувствительность	12 дБ
Промежуточная частота	10,7 МГц
Количество станций	24 станции
MW радио	
Частотный диапазон	522 – 1620 кГц
Промежуточная частота	450 кГц

Количество станций	12 станций
Проигрыватель дисков	
Система	Дисковая аудио система
Поддерживаемые носители	CD/CD-R/CD-RW, USB/SD/MMC
Поддержка форматов	CDDA/MP3
Частотный диапазон	20 Гц – 20 КГц
Электронная система стабилизации	40 с для CD, 120 с для MP3
Отношение сигнал-шум	>60 дБ
Линейный выход	2 стереовыхода RCA (2 В)

Технические характеристики могут быть изменены заводом-изготовителем без предварительного уведомления. Указанные геометрические размеры имеют приблизительные значения.



АИ49

Уважаемый потребитель! Дата производства изделия содержится в серийном номере, указанном на упаковке, в гарантийном талоне и на корпусе изделия. Шестая, седьмая и восьмая цифры обозначают год (в интервале 2010 – 2019) и месяц производства.

Пример:

год
 производства (2011)
 ↓
 R31982101-01792
 ↑
 месяц
 производства (январь)