

CD/MP3/WMA-RECEIVER
Instruction manual

CD/MP3/WMA-РЕСИВЕР
Руководство по эксплуатации

Dear customer!

Thank you for purchasing our product. For safety, it is strongly recommended to read this manual carefully before connecting, operating and/or adjusting the product and keep the manual for reference in the future.

Table of contents

TABLE OF CONTENTS	2
IMPORTANT SAFEGUARDS	3
ACCESSORIES	4
INSTALLATION/CONNECTION	5
ELECTRICAL CONNECTION.....	8
CONTROL ELEMENTS	9
LCD LAYOUT.....	10
GENERAL OPERATIONS.....	11
RADIO OPERATIONS	13
DISC OPERATIONS	17
MP3/WMA OVERVIEW.....	19
HANDLING COMPACT DISCS	21
CLEANING AND MAINTENANCE.....	21
TROUBLESHOOTING GUIDE	22
SPECIFICATION	23

Important safeguards

- Read carefully through this manual to familiarize yourself with this high-quality sound system.
- The beginning of operation is the moment of the unit installation. Before use the device in winter it is recommended to heat up the passenger compartment during 20 seconds or to the operation temperature.
- Use the unit with the temperature that goes beyond the operation temperature greatly decreases the operation resource of the screen and other components of device and can result an outage.
- Disconnect the vehicle's negative battery terminal while mounting and connecting the unit.
- When replacing the fuse, be sure to use one with an identical amperage rating. Using a fuse with a higher amperage rating may cause serious damage to the unit.
- Do not attempt to disassemble the unit. Laser beams from the optical pickup are dangerous to the eyes.
- Make sure that pins or other foreign objects do not get inside the unit; they may cause malfunctions, or create safety hazards such as electrical shock or laser beam exposure.
- Do not use the unit in places where it can be exposed to water, moisture and dust.
- Do not open covers and do not repair yourself. Consult the dealer or an experienced technician for help.
- Make sure you disconnect the power supply and aerial if you will not be using the system for a long period or during a thunderstorm.
- Make sure you disconnect the power supply if the system appears to be working incorrectly, is making an unusual sound, has a strange smell, has smoke emitting from it or liquids have got inside it. Have a qualified technician check the system.
- The unit is designed for negative terminal of the battery, which is connected to the vehicle metal. Please confirm it before installation.
- Do not allow the speaker wires to be shorted together when the unit is switched on. Otherwise it may overload or burn out the power amplifier.

Accessories

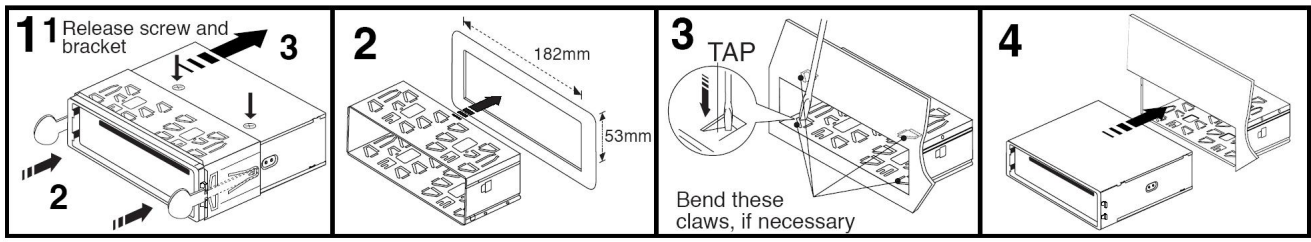
- 1. Receiver 1 pc
- 2. Front panel 1 pc
- 3. Front panel case 1 pc
- 4. ISO adapter set 1 pc
- 5. Mounting parts:
 - Rear support strap 1 pc
 - Release key 2 pcs
 - Screw 1 pc
 - Nut 1 pc
 - Plain washer 3 pcs
 - Spring washer 2 pc
- 6. Consumer information 1 pc
- 7. Warranty card 1 pc
- 8. Instruction manual 1 pc

Installation/Connection

- Choose the mounting location where the unit will not interfere with the normal driving function of the driver.
- Before finally installing the unit, connect the wiring and make sure that the unit works properly.
- Consult with your nearest dealer if installation requires the drilling of holes or other modifications of the vehicle.
- Install the unit where it does not get in the driver's way and cannot injure the passenger if there is a sudden stop, like an emergency stop.
- If installation angle exceeds 30° from horizontal, the unit may not perform properly.
- Avoid installing the unit where it would be subject to high temperature, such as from direct sunlight, or from hot air, from the heater, or where it would be subject to dust, dirt or excessive vibration.

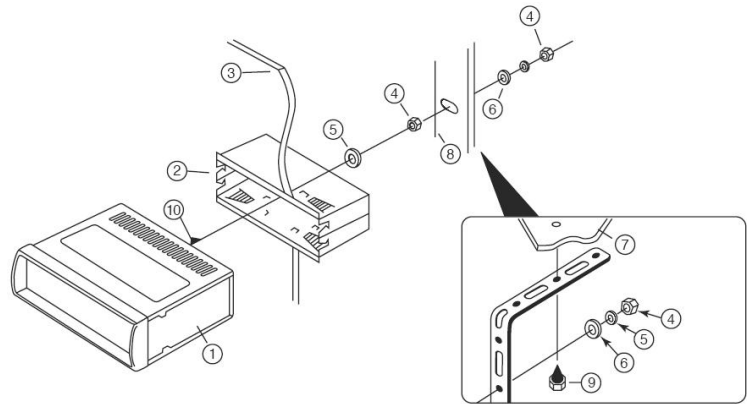
Installation

- Install the sleeve into the dashboard; ensure it is installed with the correct side and there are no obstacles (wires, dashboard elements, etc) for the unit installation.
- After installing the sleeve into the dashboard, bend tabs fitting to the size of the dashboard to fix the sleeve in place.



Notes: Use only the supplied mounting hardware for a safe and secure installation. Be sure to remove the front panel before installing the unit. Keep the release key in a safe place as you may need it in the future to remove the unit from the car.

1. Unit
2. Sleeve
3. Dash board
4. Hex nut
5. Lock washer
6. Plain washer
7. Car body
8. Metal strap
9. Tapping screw
10. M5X15 hex bolt

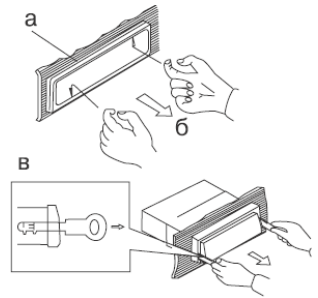


- Use the metal strap to fix the rear side of the unit. Determine a place for fixing and install the strap as shown in the picture. You can bend the strap to the needed angle with your hands.
- Make the necessary wire connections. Ensure the connections are correct.
- Install the unit into the sleeve until the side locks are fixed.

Dismantling the unit

- a – Trim frame
- 6 – Frame uninstall direction
- B – Release key insertion

1. Switch off the unit and detach the front panel.
2. Insert your fingers into the groove in the front side of the trim frame (apply some effort to detach the frame). Pull the frame to detach it.
3. Insert the supplied release keys into the both sides of the unit body to click, as shown in the picture. To extract the unit from the dashboard, pull the release keys or the unit body to pull it out. Before detaching the unit, ensure it is not fixed with the metal strap.



Trim frame installation

To install the trim frame, press it to the unit body and push it to fix it in place. This should be done before installing the front panel; otherwise you are not able to install the trim frame. When the trim frame being installed, the side with the groove should face down and fixed first.

Installing the front panel

Turn off the power. Insert the right locker on the receiver into the right groove of the panel, and then insert the left locker into the left groove. Lift the panel and press on the upper right corner of the panel until a click. Ensure the panel is fixed properly, otherwise error symbols may be displayed or some buttons will not function.

To detach the front panel

Press OPEN button. When the panel is in horizontal position, push the panel to the left and detach the right part of the panel from the locker, and then detach the left part.

Anti-theft system

The front panel of this unit can be stored in the included protective case when not in used and carried away when you leave the vehicle to deter theft.

Switch off the power of the unit. Detach the front panel, then put it to the protective case and take it with you.

Cautions: The control panel can easily be damaged by shocks. After removing it, place it in a protective case and be careful not to drop it or subject it to strong shocks.

The rear connector that connects the main unit and the control panel is an extremely important part. Be careful not to damage it by pressing on it with fingernails, pens, screwdrivers, etc.

Note: If the control panel is dirty, wipe off the dirt with soft, dry cloth only. And use a cotton swab soaked in isopropyl alcohol to clean the socket on the back of the control panel.

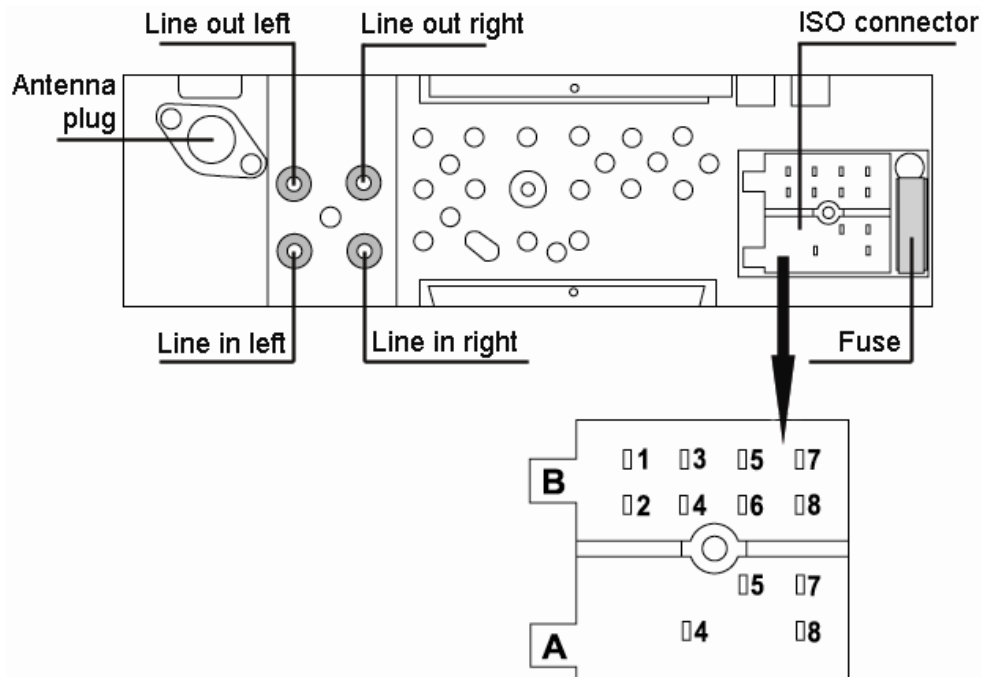
Electrical connection

Connector A

1. -
2. -
3. -
4. Memory +12V
5. Auto antenna output
6. -
7. +12V (to ignition key)
8. Ground

Connector B

1. Rear right speaker (+)
2. Rear right speaker (-)
3. Front right speaker (+)
4. Front right speaker (-)
5. Front left speaker (+)
6. Front left speaker (-)
7. Rear left speaker (+)
8. Rear left speaker (-)



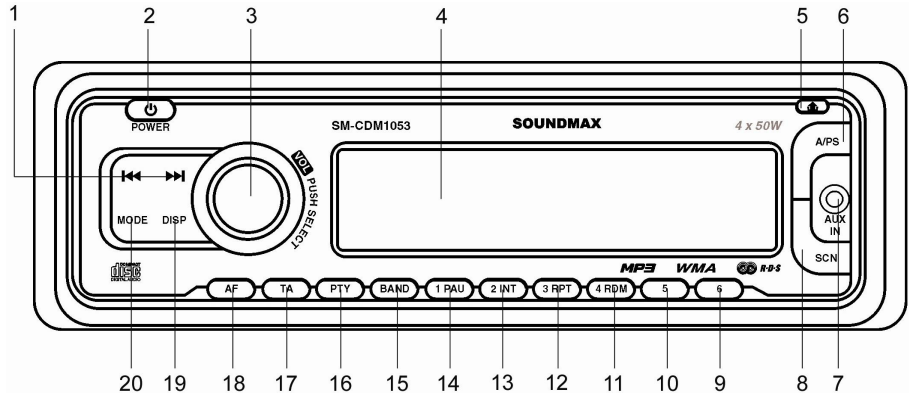
Notes:

- In spite of having any kinds of speaker system, must use 4 ohms impedance of speaker to reduce the distortion during high volume level.
- Prohibited to make the conductors of auto antenna and ground touch with each other.

Control elements

Front panel

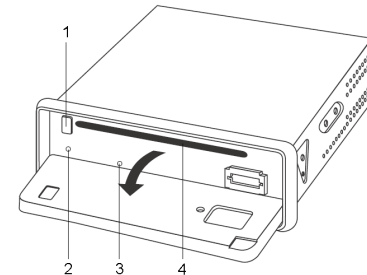
1. PREVIOUS/NEXT buttons
2. POWER button
3. VOL knob/SELECT button
4. Display
5. OPEN button
6. A/PS button
7. AUX in jack
8. SCN button
9. 6 button
10. 5 button
11. 4/RDM button
12. 3/RPT button
13. 2/INT button
14. 1/PAU button
15. BAND button
16. PTY button
17. TA button
18. AF button
19. DISP button
20. MODE button



Inner panel

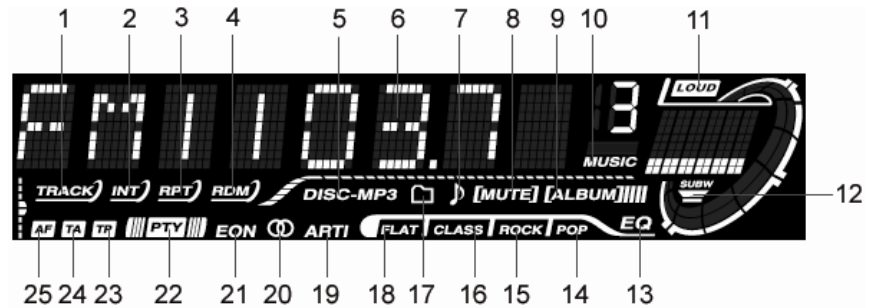
1. EJECT button
2. RESET button (hole)
3. Panel status indicator
4. Disc slot

Pressing RESET hole will erase the clock setting and stored stations. Panel status indicator flashes when you remove the panel.



LCD layout

1. Track playback
2. Intro playback indicator
3. Repeat playback indicator
4. Random playback indicator
5. CD/MP3 playback indicator
6. Digit display
7. Track info on
8. Mute function indicator (not active)
9. Album info on
10. Music playback indicator
11. Loudness indicator
12. Subwoofer indicator (not active)
13. Equalizer indicator
14. POP equalizer mode
15. ROCK equalizer mode
16. CLASS equalizer mode
17. Folder name on
18. FLAT equalizer mode
19. Artist name on
20. Stereo reception indicator
21. EON function indicator
22. PTY function indicator
23. TP function indicator
24. TA function indicator
25. AF function indicator



General operations

Power button

Press any button (except OPEN button) to switch the unit on. The display will show a message "WELCOME". Press and hold POWER button to switch the unit off.

Note: After the unit is off, volume level and radio current settings will be memorized, and when you turn the unit on it will resume the stored status you set.

Volume control

Rotate VOL knob on the faceplate. The larger the number shown on the display is, the higher the volume level is.

Sound settings

Press SELECT button shortly and repeatedly to select a mode: VOL => BAS => TRE => BAL => FAD. Rotate VOL knob to adjust each mode.

- VOLUME: 00, 02,....., 47
- BASS/TREBLE: -7, -5,....., 0, +1, +2,.....+5, +7
- BALANCE: 10L,....., 10R
- FADER: 10R,....., 10F

Note: When DSP is on, bass and treble adjustment is not available.

Caution: In each mode, the waiting time is about 5 seconds, and the waiting time is over, it returns to the last display mode of radio or disc playback mode.

Mode selection

Press MODE button to cycle the play mode: AUX => TUNER => DISC.

Note: DISC mode will only show on the display when a disc is inserted into the unit.

Clock setting

Press DISP button until clock is shown, press the DISP button and hold for 2 seconds. Time will start blinking. Rotate the VOL knob clockwise to adjust hour. Rotate the VOL knob anticlockwise to adjust minute. Press DISP button again to save setting.

Loudness

Press and hold SELECT button then press it repeatedly to select LOUD OFF (LOUD ON). If LOUD ON is displayed, it means that Loudness function is activated. This function is useful if you need to decrease the volume without loss of sound quality. To disable the function, select LOUD OFF with VOL knob.

Equalizer (DSP) mode

Press and hold SELECT button then press it repeatedly to select DSP OFF. Rotate VOL knob to choose an equalizer effect: POP => ROCK => CLASS => FLAT => DSP OFF. After you have reached your desired effect, leave the unit idle in order for the new setting to take effect.

Beep

Press and hold SELECT button then press it repeatedly to select BEEP OFF (BEEP ON). Rotate VOL knob to toggle between BEEP ON (beep sound will be heard when buttons are pressed) and BEEP OFF (no sound will be heard), then leave the unit idle for your desired setting to take effect.

Information display

Press DISP button repeatedly to switch between various information shown on the display, such as radio frequency, clock, track and other info depending on the playing mode.

AUX in jack

AUX-in jack is intended for connecting an external audio or video equipment to amplify the sound. If connection is made correctly, the audio signal from the external source will be translated through the acoustics of the head unit. This enables to adjust the volume and quality of sounding. For example, you can connect an MP3-player to listen to tracks using the car acoustic system.

Radio operations

BAND selection

Press repeatedly BAND button to select your desired radio band in radio mode: FM1, FM2, FM3, FM (OIRT), AM1 (MW1), AM2 (MW2). Each band can store 6 preset stations, for a total of 36 preset memory stations.

Tuning

Press PREVIOUS or NEXT button to manually adjust the radio frequency. Press and hold PREVIOUS/NEXT buttons, the radio will seek to the next up or down strong and clear frequency station automatically. Repeat this action to seek for other desired stations. To stop automatic search, press NEXT or PREVIOUS button.

Automatic seek/preset scan

- Preset scan: Press A/PS button once to automatically search for saved stations in each band.
- Automatic store: Press and hold A/PS button, the receiver will automatically scan and save stations for the current band. As soon as automatic store is performed, the unit will start preset scanning.

Radio scan

Press SCN button. The unit will scan all saved stations in each band holding 5 seconds on each station.

Programming stations

There are 6 numbered preset buttons, under which you can store and recall stations for each band. Select the needed station, then press and hold a preset button. The station will be saved in the memory under the corresponding number. To recall a stored station, press the corresponding preset button.

Local/distant reception

Press and hold SELECT button, then press it repeatedly to select DX (LOCAL). If LOCAL is displayed, it means that local station reception is activated. DX means that distant stations with both strong and weak signal are received. Switch between LOCAL and DX by rotating VOL knob.

Mono/stereo reception (for FM radio)

Press and hold SELECT button, then press it repeatedly to select STEREO reception or MONO reception for FM bands. Mono reception enables achieve a better signal quality due to noise reduction. Switch between MONO

SOUND MAX
and STEREO by rotating VOL knob.

RDS function

RDS (Radio Data System) service availability varies with areas. Please understand that if RDS service is not available in you area, the following service is not available either.

AF (Alternative Frequencies) function

Press AF button to turn the AF function on or off.

When the radio signal strength is poor, enabling the AF function will allow the unit to automatically search another station with the same PI (Program Identification) as the current station but with stronger signal strength, so that you do not have to retune the stations when driving between different transmitter coverage areas. When AF symbol is on, it means RDS information is received; when AF symbol is flashing, it means RDS information is not yet received.

PS (Program Service name): the name of station will be display instead of frequency.

If RDS service is not available in your area, turn off the AF mode. Default setting is ON.

Press and hold AF button to turn REG (regional) mode on or off.

REG ON: AF switching or PI SEEK is implemented to the station which have all PI codes are same as current station (PI CODE is checked when AF CHECK in progress).

REG OFF: The regional code in the format of PI code is ignored when AF switching or PI SEEK is implemented.

TA (Traffic Alarm) function

Press TA button to turn TA function on or off.

In TA mode traffic program will be automatically searched, until the program is received. When traffic announcement is received the unit will temporarily switch to the tuner mode (regardless of the current mode) and begin broadcasting the announcement. After the traffic announcement is over, it will return to the previous mode and volume level. To interrupt traffic announcement press TA button shortly; it will not switch off the TA mode.

PTY (Program Type)

This radio will allow you to select the type of program required, and will search for a station broadcasting that type of program.

Press PTY button to show the music type. Then press 1 - 6 number buttons to choose different music

programs available.

Press PTY button twice to show the speech type program. Then press 1 - 6 number buttons to choose different speech programs. Each number button will show 3 different speech programs for you to choose (see table below).

Button	Music type programs	Speech time programs
1	Pop, Rock	News, Affairs, Info
2	Easy, Light	Sport, Educate, Drama
3	Classics	Culture, Science, Varied
4	Jazz, Country	Weather, Finance, Children
5	Nation, Oldies	Social, Religion, Phone IN
6	Folk	Travel, Leisure, Document

When PTY is selected, the radio starts to search corresponding PTY information, and stops if the corresponding PTY information is detected. If no buttons are pressed within several seconds, previously selected PTY is searched. During 1 loop, if desired PTY is not found, the unit will return to previous mode. Press PTY button for the 3rd time to switch the PTY function off.

Other parameter setting

To choose the corresponding parameter, press and hold SELECT button, then press it repeatedly until the display shows the needed parameter. Turn VOL knob to choose the needed value. After choosing, please leave the unit idle to activate.

TA SEEK/TA ALARM

In TA SEEK mode, the unit will seek for traffic announcement program when TA button is pressed; in TA ALARM the unit does not retune to TA information.

MASK DPI/MASK ALL

During MASK DPI mode, the unit will mask only the AF which has different PI, this is the default mode; during MASK ALL mode, the unit will mask the AF which has different PI and no RDS signal with high field strength.

RETUNE S/L - SHORT/LONG

"RETUNE" refers to the time period the unit allows for radio scan when reception is interrupted. "S" represents a long time period of 30 seconds, and "L" represents a short time period of 90 seconds.

SEEK MODE

SEEK 1: When SEEK 1 mode is activated, auto seek scan is stopped when station is detected even if user still presses PREVIOUS or NEXT button.

SEEK 2: Auto seek scan is not stopped even station is detected if user presses PREVIOUS or NEXT button. When user releases the button, then seek stops when station is detected.

VOL LAST – VOL ADJUST

When VOL LAST is selected, the volume level adjusted by the user is selected whenever the power is on and off. When VOL ADJ is selected you can adjust the volume level that will be active whenever the power is on.

Disc operations

Loading/Eject a disc

- Open the front panel. Insert the disc with the printed side facing upward into the slot. Close the panel. The CD will play automatically.
- Open the front panel and press EJECT button to eject the disc. If the disc is not removed from the slot within several seconds, it will automatically be loaded into the slot again. When the disc is ejected and removed, the unit will automatically switch to radio mode.

Pausing playback

To ensure good system performance, wait until the unit finishes reading the disc information before proceeding. Press 1/PAU button to pause the playback. Press again to resume the playback.

Playing the previous/next track

During playback press NEXT or PREVIOUS buttons to play next or previous track correspondingly.

Fast forward and backward playback

Press and hold NEXT or PREVIOUS buttons on the panel or RC to fast forward or reverse correspondingly. Release the button when the needed playback point of the track is found.

Intro playback

You can play the beginning of every track for several seconds in sequence. Press 2/INT button to start intro play. Press again to cancel.

Repeat playback

During disc playback, press 3/RPT button to repeat the current track playback. Press again to cancel.

Random playback

During disc playback, press 4/RDM button to start random playback of the tracks. Press again to cancel.

10 track Up/Down function (for MP3, WMA)

Press 6 button to advance 10 tracks at a time. Press 5 button to go back 10 tracks at a time.

ID3 Tag function

If a MP3 file has ID3 Tag information in the supported ID3 format, such information will be displayed on the LCD while playback.

Search function (for MP3, WMA)

Cancel Random, Repeat and Intro functions before searching.

Track search:

- Press A/PS button. Press SELECT button, the first digit of the track number will blink. Rotate VOL knob to select track number. Switch between track number digits by pressing SEL button.
- Press SELECT button, the selected track will start to play.

Folder search:

- Press A/PS button twice. Press SELECT button, the first folder name will be displayed. Rotate VOL knob to select a folder.
- After you select the folder, its first track name will be displayed. Rotate VOL knob to select a track in the folder.
- Press SELECT button, the selected track will start to play.

Character search:

- Press A/PS button three times. Press SELECT button, "A" character will be displayed.
- Rotate VOL knob to select the first character of a file name. Press SELECT button to go to selection of the next character.
- When file name selection is completed, press and hold SELECT button to start playback of a file with the selected name. If such file is not contained on the disc, "NOT FOUND" will be displayed.

Note: It is recommended to record files in the root folder and do not use the complicated folder system to allow search to function properly.

ESP (CD Electronic Shock Protection)

The electronic shock protection is ideal for driving on an uneven road. Press and hold SELECT button, then press it to choose ESP 12, rotate VOL knob so that the setting will be changed to ESP 45, indicating that Electronic Shock Protection for 45 seconds is activated.

Note: 12 sec/45 sec ESP for CD. 120 sec ESP for MP3 activates automatically.

MP3/WMA overview

Notes on MP3 and WMA

- MP3 is short for MPEG Audio Layer 3 and refers to an audio compression technology standard.
- This product allows playback of MP3 files on CD-ROM, CD-R or CD-RW discs.
- The unit can read MP3 files written in the format compliant with ISO 9660. However it does not support the MP3 data written by the method of packet write.
- The unit can not read an MP3 file that has a file extension other than “.mp3”.
- If you play a non- MP3 file that has the “.mp3” extension, you may hear some noise.
- In this manual, we refer to what are called “MP3 file” and “folder” in PC terminology as “track” and “album”, respectively.
- Maximum number of directory level is 8, including the root directory. Maximum number of files and folders per disc is 256.
- The unit may not play tracks in the order of Track numbers.
- The unit plays only the audio tracks if a disc contains both audio tracks and MP3 files.
- When playing a disc of 8 kbps or “VBR”, the elapsed playing time in the display window will not be correct and also the intro play may not function properly. “VBR”: Variable Bit Rate.
- The unit supports the playback of WMA files. The playback of ID3 tags for WMA format is not guaranteed, it depends on versions and availability of Cyrillic alphabet.
- WMA (Windows Media Audio) – music data compression format, created by Microsoft Corporation. This format uses coding algorithm for compression of initial audio-record, greatly decreasing the file size, but, saving the good sound quality even when the bit rate is low (for example, 64 Kbit/s).
- Remember that the unit may not play the tracks in order they are written on disc.

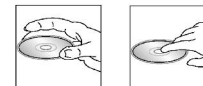
Notes on creating your own CD-Rs or CD-RWs containing MP3 files

- To enjoy high quality sound, we recommend converting to MP3 files with a sampling frequency of 44.1 kHz and a fixed bit rate of 128 kbps.
- Do not store more than 256 MP3 files per disc.
- For ISO 9660 - compliant format, the maximum allowable depth of nested folders is 8, including the root directory (folder).
- When CD-R disc is used, playback is possible only for discs, which have been finalized.

- Make sure that when MP3 CD-R or CD-RW is burned that it is formatted as a data disc and NOT as an audio disc.
- You should not write non-MP3 files or unneeded folders along with MP3 files on the disc otherwise it takes a long time until the unit starts to play MP3 files.
- With some CD-R or CD-RW media, data may not be properly written depending on its manufacturing quality. In this case, data may not be reproduced correctly. High quality CD-R or CD-RW disc is recommended.
- Up to 16 characters are displayed for the name of an Album or a Track.
- Note that the unit may not play Tracks in the order that you wrote them to the disc.

Handling compact discs

- Do not insert anything other than a CD into the CD loading slot.
- Do not use cracked, chipped, warped, or otherwise damaged discs as they may cause skipping or noise damage the player.
- Handle the disc only by the edges (as shown in the picture). To keep discs clean do not touch its surface.
- Store discs in their cases when not in use.
- Do not expose discs to direct sunlight, high humidity, high temperature or dust.
- Prolonged exposure to extreme temperature (such as leaving the discs in your car during summertime) can warp a disc.
- Do not attach labels, write on or apply chemicals to the surface of the discs.
- Do not touch the recorded surface of the discs.
- Use 12-cm CDs. Use only conventional, fully circular discs. Do not use shaped discs.



Cleaning and maintenance

Cleaning the unit body

Fingerprints should be carefully wiped from the surface of disc with a soft cloth. Unlike conventional records, compact discs have no grooves to collect dust and macroscopic dirt, so gently wiping them with a soft cloth should remove most panicles. Wipe in a straight motion from the center to the edge.

Never use thinner benzine, record cleaner or anti static spray on a compact disc. Such chemicals can damage its plastic surface.

Cleaning the unit body

Wipe with a soft cloth. If the cabinet is very dampen (not dropping wet) the cloth with a weak solution of soapy water, and then wipe clean.



Troubleshooting guide

Below is a table describing simple measures that can help you eliminate most problems likely to emerge when this unit is in use. If below measures do not help, turn to a service center or to the nearest dealer.

Symptom	Cause	Solution
No power	The car ignition is not on. The fuse is blown.	If the power supply is properly connected to the car accessory switch the ignition key to "ACC". Replace the fuse.
Disc cannot be loaded.	Presence of disc inside the player.	Remove the disc in the player then put a new upward.
Disc cannot be read.	Inserting the disc in upside down. Compact disc is extremely dirty or defective. Temperature inside the car is too high.	Insert the compact disc with the label facing upward. Clean the disc or try to play a new one. Cool off until the ambient temperature returns to normal.
No sound	Volume is in minimum. Wiring is not properly connected.	Adjust volume to a desired level. Check wiring connection.
The operation keys do not work.	The built-in microcomputer is not operating properly due to noise. Front panel is not properly fix into its place.	Press the power button for about 10 seconds to reset the unit
Sound skips.	The installation angle is more than 30 degrees. The disc is extremely dirty or defective.	Adjust the installation angle to less than 30 degrees. Clean the compact disc/try to play a new one.
The radio does not work, the radio station automatic selection does not work.	The antenna cable is not connected the signals are too weak.	Insert the antenna cable firmly select a station manually.
The display shows an error message (ERROR 1 – 11) one time.	Possible disc error.	Reset the unit by pressing RESET hole. Ensure the disc is inserted correctly into the slot. Clean or change the disc.
The display shows an error message (ERROR 1 – 11) repeatedly.	Unit operation error.	Turn to a service center.

Specification

General	
Power supply	12 V DC
Current consumption	max. 10 A
Maximum power output	50Wx4 channels
Fuse	10A
Dimensions (L x W x H)	178 x 50 x 178 mm
Temperature range	-20°C - +60°C
Installation angle	0° – +/-30°
FM stereo radio	
Frequency range	65.0 – 74.0/87.5 – 108.0 MHz
Presettable stations	24
I.F. Frequency	10.7 MHz
MW (AM) radio	
Frequency range	522 kHz-1620 kHz
Presettable stations	12
Usable sensitivity	32 dB
Disc player	
Format support	CDDA/MP3/WMA
Discs support	CD/CD-R/CD-RW
Frequency response	20 Hz - 20 kHz
Signal to noise CD	> 60 dB
Electronic shock protection	40 sec. ESP for CD/ 120 sec. for MP3/ 300 sec. WMA
Line out	
Output	2 channel RCA line-out (2V) 2 channel RCA line-in

Specifications are subject to change without notice. Dimensions are approximate.

Уважаемый покупатель!

Благодарим Вас за покупку нашего изделия. Чтобы понять, как правильно и безопасно пользоваться приобретенным изделием, рекомендуется тщательно изучить настоящее руководство перед подключением, регулировкой и эксплуатацией изделия. Сохраняйте руководство для использования в будущем.

Содержание

СОДЕРЖАНИЕ	24
МЕРЫ ПРЕДОСТОРОЖНОСТИ	25
КОМПЛЕКТ ПОСТАВКИ	26
УСТАНОВКА/ПОДКЛЮЧЕНИЕ	27
СХЕМА ЭЛЕКТРИЧЕСКИХ СОЕДИНЕНИЙ	30
ЭЛЕМЕНТЫ УПРАВЛЕНИЯ	31
СИМВОЛЫ ЖК ДИСПЛЕЯ	32
ОБЩИЕ ОПЕРАЦИИ	33
ОПЕРАЦИИ С РАДИО	35
ОПЕРАЦИИ С ДИСКАМИ	39
ОБЗОР MP3/WMA	42
ОБРАЩЕНИЕ С КОМПАКТ-ДИСКАМИ	44
ЧИСТКА И УХОД	44
РУКОВОДСТВО ПО УСТРАНЕНИЮ НЕИСПРАВНОСТЕЙ	45
ТЕХНИЧЕСКИЕ ХАРАКТЕРИСТИКИ	47

Меры предосторожности

- Тщательно изучите настоящую инструкцию, чтобы ознакомиться с устройством.
- Началом эксплуатации устройства считается момент его установки в автомобиль. Перед началом использования аппарата в зимний период рекомендуется прогреть салон автомобиля в течение 20 минут или до достижения эксплуатационного диапазона температуры аппарата.
- Использование аппарата при температуре, выходящей за рамки эксплуатационного диапазона температур, значительно снижает ресурс работы экрана и других компонентов аппарата и может привести к выходу аппарата из строя.
- При установке и подключении изделия отключите отрицательную клемму аккумулятора автомобиля.
- При замене предохранителя, убедитесь, что вы устанавливаете предохранитель с тем же номиналом. Используя предохранитель с повышенным значением тока, можно причинить значительные повреждения изделию.
- Не пытайтесь разбирать изделие. Лазерные лучи, исходящие из блока оптической головки считывания информации с компакт-диска, опасны для глаз.
- Не используйте устройство в местах, где оно может подвергнуться воздействию воды, влаги и пыли.
- Убедитесь, что шпильки или другие посторонние предметы не попали внутрь изделия. Они могут вызвать сбой в работе или стать причиной опасности, возгорания или поражения лазерным лучом.
- Не открывайте крышки и не проводите ремонт самостоятельно. Обратитесь к дилеру или квалифицированному персоналу
- Убедитесь, вы отключили источник питания и антенну, если вы не будете пользоваться системой в течение длительного времени или во время грозы.
- Убедитесь, что вы отключили источник питания, если обнаружена неправильная работа системы, система издает необычные звуки, запах, выделяет дым или внутрь ее попала жидкость. Проведите квалифицированный технический осмотр системы.
- Прибор разработан так, чтобы отрицательный вывод аккумулятора был подключен к корпусу транспортного средства. Пожалуйста, убедитесь в этом перед установкой.
- Не позволяйте проводам динамиков касаться друг друга или корпуса автомобиля после включения прибора. В противном случае, может быть перегружен или выйти из строя усилитель.

Комплект поставки

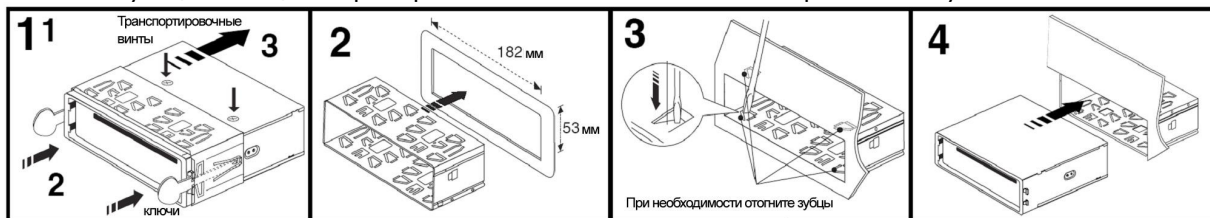
1. Ресивер	1 шт
2. Передняя панель	1 шт
3. Футляр для передней панели	1 шт
4. Комплект ISO-адаптеров	1 шт
5. Детали для установки:	
Крепежная планка	1 шт
Съемники	2 шт
Винт	1 шт
Гайка	1 шт
Плоская шайба	3 шт
Пружинная шайба	2 шт
6. Информация для потребителя	1 шт
7. Гарантийный талон	1 шт
8. Инструкция по эксплуатации	1 шт

Установка/подключение

- Перед окончательной установкой устройства временно подключите все провода и убедитесь, что все соединения выполнены верно, а устройство и система работают правильно.
- Для обеспечения правильной установки устройства используйте только те детали, которые входят в комплект. Использование других приспособлений может привести к появлению сбоев в его работе.
- Если для установки устройства необходимо сверлить отверстия в кузове автомобиля или вносить какие-либо другие изменения в его конструкцию, проконсультируйтесь с продавцом.
- Устанавливайте устройство там, где оно не будет закрывать водителю обзор и отвлекать от дорожной обстановки и не сможет нанести травм пассажирам в случае внезапной остановки автомобиля, например, при экстренном торможении.
- Если при установке устройства угол относительно горизонтальной плоскости превышает 30° , рабочие характеристики проигрывателя могут быть не оптимальны.
- Никогда не устанавливайте устройство в таких местах, где оно будет подвергаться воздействию высокой температуры, например, в местах попадания прямых солнечных лучей, в местах выхода горячего воздуха от отопителя автомобиля, в местах, где очень грязно или пыльно, или там, где устройство будет подвергаться сильной вибрации.
- Перед установкой устройства обязательно снимите переднюю панель.

Установка устройства в приборную панель автомобиля

- Установите монтажный кожух в приборную панель автомобиля, убедитесь, что он установлен правильной стороной и нет препятствий (провода, элементы приборной панели) для установки магнитолы.
- После установки монтажного кожуха в приборную панель отогните на нем металлические язычки, соответствующие толщине приборной панели. Это позволит закрепить кожух на месте.

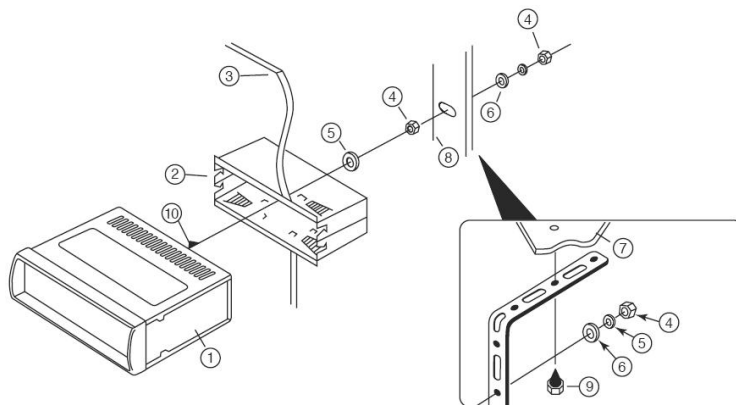


Примечание: Используйте только крепежные детали, входящие в комплект поставки. Перед установкой устройства снимите переднюю панель. Сохраните съемные ключи, они могут понадобиться, для того чтобы извлечь ресивер из приборной панели.

Установка устройства

1. Устройство
2. Монтажный кожух
3. Приборная панель
4. Гайка
5. Опорная шайба
6. Пружинная шайба
7. Корпус автомобиля
8. Металлическая пластина
9. Винт
10. Болт М5х15

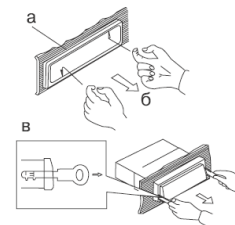
- Обязательно используйте опорную планку для закрепления задней стороны проигрывателя. Определите место крепления и установите ее согласно приведенному рисунку. Планку можно согнуть руками под нужным углом.
- Подключите необходимые провода и разъемы. Убедитесь в правильности подключения.
- Установите магнитолу в монтажный кожух до фиксации боковых защелок.



Снятие устройства

- а – Декоративная рамка
- б – Направление снятия рамки
- в – Установка ключей съемников

1. Выключите магнитолу и снимите переднюю панель.
2. Вставьте пальцы в канавку на передней стороне декоративной рамки (рамка



снимается с небольшим усилием). Потяните рамку на себя, чтобы снять ее.

3. Вставьте входящие в комплект ключи съемники с обеих сторон корпуса устройства, как показано на рисунке, до щелчка. Для того чтобы извлечь устройство из приборной панели, потяните за съемники или магнитолу и вытяните её на себя (перед снятием убедитесь, что магнитола не зафиксирована с опорной планкой).

Установка декоративной рамки

Для установки декоративной рамки прижмите ее к корпусу устройства и нажмите, чтобы вставить на место. Это необходимо сделать до установки передней панели, иначе вы не сможете установить декоративную рамку на место (При установке рамки на место направьте сторону с канавкой вниз и закрепите ее.).

Установка передней панели

Отключите питание устройства. Вставьте правый крепежный кронштейн ресивера в правый паз панели, затем вставьте левый кронштейн в левый паз. Поднимите панель и нажмите на правый верхний угол панели до щелчка. Убедитесь в том, что панель плотно закреплена в ресивере, иначе на дисплее могут отображаться символы ошибок или некоторые кнопки не будут функционировать.

Для отсоединения передней панели нажмите кнопку OPEN. Когда панель примет горизонтальное положение, нажмите на панель влево и отсоедините правую часть панели от крепежного кронштейна устройства; затем отсоедините левую часть.

Система против кражи

Если данное устройство не используется, переднюю панель можно отсоединить и поместить в защитный футляр, входящий в комплект поставки. Панель в футляре можно взять с собой, когда Вы покидаете автомобиль. Это позволяет избежать кражи панели.

Отключите питание устройства. Снимите переднюю панель и поместите ее в предохранительный футляр.

Внимание: Панель может повредиться из-за внешних факторов: тряски, ударов. После снятия ее с устройства держите панель в защитном футляре и старайтесь не ронять и не наносить физических повреждений.

Очень важным элементом является коннектор на задней части панели. Не нажимайте на него ногтями, ручками, отвертками.

Примечание: Если панель загрязнилась или запачкалась, протрите ее сухой чистой тканью. Для чистки разъема в задней части панели используйте тампон, смоченный изопропиловым спиртом.

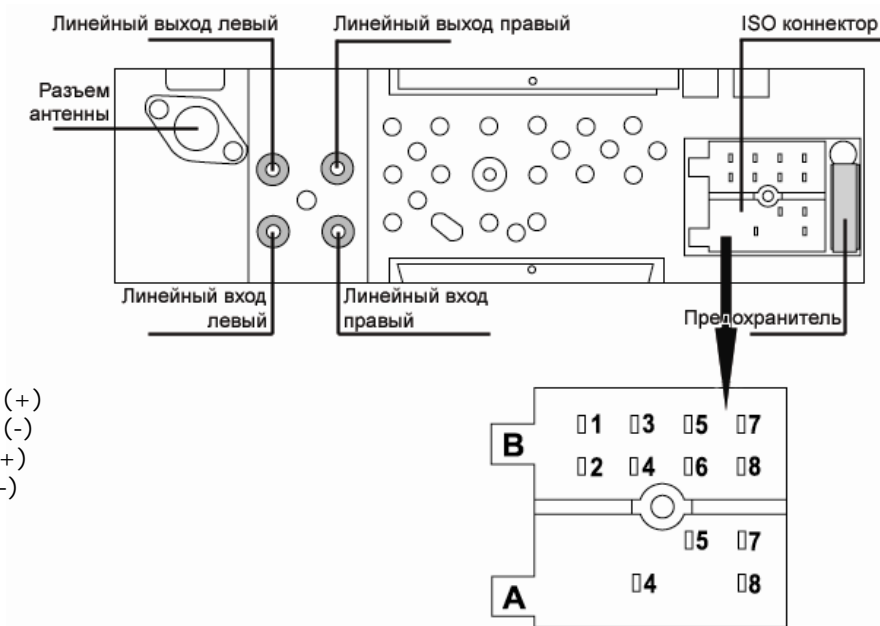
Схема электрических соединений

Коннектор А

1. -
2. -
3. -
4. К аккумулятору (память +12В)
5. Питание антенны
6. -
7. К ключу зажигания
8. Заземление

Коннектор В

1. Тыловой правый динамик (+)
2. Тыловой правый динамик (-)
3. Фронтальный правый динамик (+)
4. Фронтальный правый динамик (-)
5. Фронтальный левый динамик (+)
6. Фронтальный левый динамик (-)
7. Тыловой левый динамик (+)
8. Тыловой левый динамик (-)



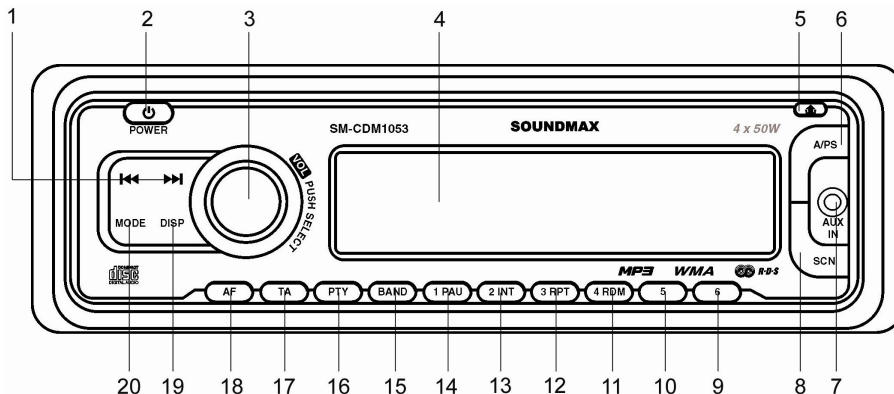
Примечания:

- Независимо от вида динамиков, следует использовать динамики с сопротивлением, равным 4 Ом для уменьшения искажений при повышенной громкости.
- Запрещается соединять провода авто антенны и заземления между собой.

Элементы управления

Передняя панель

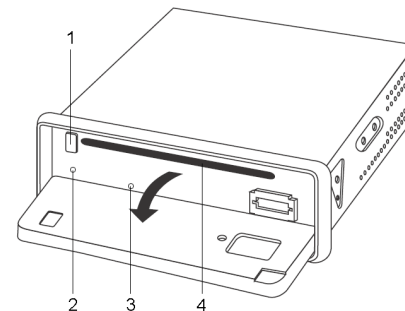
1. Кнопки PREVIOUS/NEXT
2. Кнопка POWER
3. Регулятор VOL/кнопка SELECT
4. Дисплей
5. Кнопка OPEN
6. Кнопка A/PS
7. Вход AUX
8. Кнопка SCN
9. Кнопка 6
10. Кнопка 5
11. Кнопка 4/RDM
12. Кнопка 3/RPT
13. Кнопка 2/INT
14. Кнопка 1/PAU
15. Кнопка BAND
16. Кнопка PTY
17. Кнопка TA
18. Кнопка AF
19. Кнопка DISP
20. Кнопка MODE



Внутренняя панель

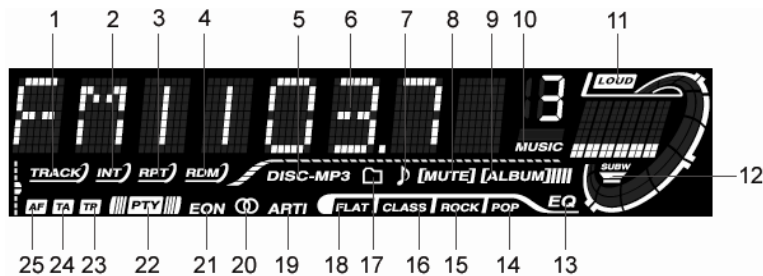
1. Кнопка EJECT
2. Кнопка (отверстие) RESET
3. Индикатор состояния панели
4. Слот для дисков

Примечания: При нажатии кнопки RESET все выполненные установки будут удалены из памяти устройства. Индикатор состояния панели загорается, когда панель опущена, и мигает при снятии панели.



Символы ЖК дисплея

1. Воспроизведение трека
2. Индикатор обзорного воспроизв.
3. Индикатор повторного воспроизв.
4. Индикатор случайного воспроизв.
5. Воспроизведение формата CD/MP3
6. Цифровой дисплей
7. Отображение данных о треке
8. Индикатор приглушения звука (не активен)
9. Отображение информации об альбоме
10. Название трека
11. Индикатор тонкомпенсации
12. Индикатор сабвуфера (не активен)
13. Индикатор работы эквалайзера
14. Режим эквалайзера POP
15. Режим эквалайзера ROCK
16. Режим эквалайзера CLASS
17. Отображение информации о папке
18. Режим эквалайзера FLAT
19. Отображение информации об артисте
20. Индикатор стерео приема сигнала
21. Индикатор функции EON
22. Индикатор функции PTY
23. Индикатор функции TR
24. Индикатор функции TA
25. Индикатор функции AF



Общие операции

Включение/отключение устройства

Нажмите любую кнопку (кроме кнопки OPEN), чтобы включить устройство. На дисплее появится сообщение «WELCOME». Нажмите и удерживайте кнопку POWER, чтобы выключить питание.

Внимание: Когда Вы выключаете систему или зажигание автомобиля, громкость звука и радио настройки будут сохранены в памяти устройства, и при включении установки вернуться к сохраненным значениям.

Регулировка уровня громкости

Вращайте регулятор VOL, изменяющееся число на дисплее показывает регулирование уровня громкости.

Регулировка параметров аудио

Нажимайте кнопку SELECT, чтобы выбрать параметр: VOL (громкость) => BAS (низкие частоты) => TRE (высокие частоты) => BAL (баланс левые/правые динамики) => FAD (баланс задние/передние динамики).

Вращайте регулятор VOL, чтобы отрегулировать выбранный параметр:

- VOLUME: 00, 02,....., 47
- BASS/TREBLE: -7, -5,....., 0, +1, +2,.....+5, +7
- BALANCE: 10L,....., 10R
- FADER: 10R,....., 10F

Примечание: При включенном эквалайзере регулирование высоких и низких частот невозможно.

Внимание: Каждая настройка отображается на дисплее в течение примерно 5 секунд. Если в течение этих 5 секунд ни одна кнопка не была нажата, дисплей вернется в обычный режим.

Выбор режима

Нажимайте кнопку MODE, чтобы выбрать режим работы устройства: AUX => TUNER (радио) => DISC (диск).

Примечание: режим DISC будет доступен, только когда диск установлен в устройство.

Настройка часов

Нажимайте кнопку DISP до отображения на дисплее часов, затем нажмите кнопку DISP и удерживайте 2 секунды. Часы начнут мигать. Вращайте регулятор VOL по часовой стрелке, чтобы установить часы.

Вращайте регулятор VOL против часовой стрелки, чтобы установить минуты. Нажмите кнопку DISP для подтверждения настройки.

Тонкомпенсация

Нажмите и удерживайте кнопку SELECT, затем нажимайте ее несколько раз, чтобы выбрать LOUD OFF (LOUD ON). Если на дисплее отображается надпись LOUD ON, это означает, что функция компенсации низких и высоких частот включена. Данная функция полезна, если вы хотите уменьшить уровень звука без потери четкости звучания. Для отключения функции установите LOUD OFF с помощью регулятора VOL.

Функция эквалайзера (DSP)

Нажмите и удерживайте кнопку SELECT, затем нажимайте ее несколько раз для выбора опции DSP OFF. Вращайте регулятор VOL для выбора одного из режимов эквалайзера: POP =>ROCK =>CLASS =>FLAT =>DSP OFF (выкл). После выбора не нажимайте никаких кнопок, чтобы выполненные настройки сохранились.

Функция BEEP

Нажмите и удерживайте кнопку SELECT, затем нажимайте ее несколько раз, чтобы выбрать BEEP OFF (BEEP ON). Вращайте регулятор VOL для переключения между BEEP ON (включение функции сопровождения нажатия кнопок звуковым сигналом) и BEEP OFF (отключение функции), затем в течение некоторого времени не выполняйте никаких операций, чтобы выполненные настройки сохранились.

Отображение информации на экране

Нажимайте кнопку DISP для последовательного отображения различной информации на дисплее, такой как радиочастота, часы, текущий трек и пр. в зависимости от режима работы устройства.

Вход AUX

Разъем AUX предназначен для подключения внешнего аудио и видео устройства с целью усиления звука. В случае правильного подключения аудиосигнал от внешнего источника будет транслироваться через акустику головного устройства. Это дает возможность регулировать громкость и качество звучания. Например, Вы можете подключить MP3-проигрыватель для прослушивания записей через акустику автомобиля.

Операции с радио

Выбор диапазона

Нажимайте кнопку BAND, чтобы выбрать диапазон в режиме радио: FM1, FM2, FM3, FM (OIRT), MW1 (AM1), MW2 (AM2). В каждом диапазоне можно сохранить до 6 радиостанций, общее количество сохраняемых радиостанций составляет 36.

Настройка радиостанций

Нажимайте кнопки PREVIOUS или NEXT, чтобы выполнить настройку частоты вручную. Нажмите и удерживайте кнопки PREVIOUS/NEXT; устройство автоматически осуществит поиск ближайшей станции с сильным сигналом. Для поиска следующих станций повторяйте эти действия. Чтобы остановить процесс автоматического поиска станции, нажмите кнопку PREVIOUS или NEXT.

Автоматический поиск/сканирование сохраненных станций

- Сканирование: Нажмите кнопку A/PS, приемник выполнит сканирование сохраненных станций в каждом диапазоне.
- Автоматический поиск: Нажмите и удерживайте кнопку A/PS; приемник автоматически выполнит сканирование диапазона и сохранит станции с сильным сигналом.

Сканирование

Нажмите кнопку SCN. Устройство будет вещать каждую сохраненную станцию в течение 5 секунд.

Сохранение и вызов радиостанций

На панели устройства есть 6 кнопок с цифрами, с помощью которых Вы можете сохранять и включать радиостанции в каждом диапазоне. Выберите нужную радиостанцию, затем нажмите и удерживайте кнопку с цифрой. Станция будет сохранена в памяти устройства под этой цифрой. Для вызова сохраненной станции нажмите соответствующую кнопку с цифрой.

Поиск локальных радиостанций

Нажмите и удерживайте кнопку SELECT, затем нажимайте ее несколько раз, чтобы выбрать DX (LOCAL). Если на дисплее отображается надпись LOCAL, это означает, что включена функция приема местных радиостанций со слабым сигналом. Отображение на дисплее надписи DX означает отключение приема

местных радиостанций и прием удаленных радиостанций как со слабым, так и с сильным сигналом. Переключение между LOCAL и DX осуществляется с помощью регулятора VOL.

Моно/стерео прием (для FM радио)

Нажмите и удерживайте кнопку SELECT, затем нажимайте ее несколько раз, чтобы выбрать STEREO (стерео прием FM сигнала) или MONO (моно прием сигнала). Достичь улучшения дистанционного сигнала можно отключив режим стерео, что позволяет убрать лишние звуковые шумы. Переключение между STEREO и MONO осуществляется с помощью регулятора VOL.

Сервис RDS

Сервис RDS (Система радио данных) доступен не во всех регионах. Имейте в виду, что если услуга RDS не доступна в Вашем регионе, то данная функция не будет работать.

Функция AF (альтернативные частоты)

При слабом сигнале функция альтернативных частот позволяет приемнику настраиваться на другие станции с тем же идентификационным кодом, что и текущая станция, но с более сильным сигналом. При этом вместо частоты на дисплее появится название станции.

Нажмите кнопку AF на ПДУ или на панели, чтобы включить или выключить функцию AF. При включенном режиме AF радио постоянно проверяет силу сигнала альтернативных частот, на которых может транслироваться RDS программа. Если сигнал слабый или исчезает, приемник будет автоматически искать другую частоту с этой программой.

Если служба RDS не доступна в Вашей местности, выключите режим AF нажатием кнопки AF на ПДУ или на панели. По умолчанию функция включена.

Если символ AF отображается на дисплее статично, это означает, что режим AF активен и идет прием информации RDS. Если символ мигает, режим активен, но информация RDS отсутствует. Если символ AF не отображается, это означает, что режим AF отключен.

Нажмите и удерживайте кнопку AF, чтобы включить режим REGION.

REG ON (вкл): во время поиска AF и TA передач приемник будет настраиваться на те станции, PI-код которых совпадает с кодом текущей станции.

REG OFF (выкл): PI-код будет игнорироваться и будет возможен прием региональных станций.

Функция TA (программы о дорожном движении)

В режиме радио нажмите кнопку TA для включения/отключения функции TA. Начнется автоматический

поиск программ дорожного движения вне зависимости от текущего режима.

Когда программа будет найдена, начнется ее трансляция. Чтобы прервать трансляцию, нажмите кнопку TA; устройство вернется к предыдущему режиму; это не повлечет за собой отключения функции TA.

Когда программа закончится, устройство автоматически вернется к текущему режиму.

Функция РТУ (тип программы)

FM-станции, поддерживающие сервис RDS, передают идентифицирующий сигнал типа программы.

Нажмите кнопку РТУ, чтобы выбрать категорию музыкальных программ. Затем нажимайте кнопки с цифрами 1-6, чтобы выбрать разные типы музыкальных программ.

Нажмите кнопку РТУ дважды, чтобы выбрать категорию информационных программ. Затем нажмите кнопки с цифрами 1-6, чтобы выбрать нужный тип информационных программ.

Каждый номер содержит три разных информационных программы на выбор.

Кнопка	Музыкальные программы		Информационные программы	
1	Pop, Rock	Поп-музыка, Рок-музыка	News, Affairs, Info	Новости, Текущая информация, Общая информация
2	Easy, Light	Легкая музыка, Легкая классическая музыка	Sport, Educate, Drama	Спортивные новости, Образовательные программы, Радиопостановки и сериалы
3	Classics	Классическая музыка	Culture, Science, Varied	Культурные программы, Наука и техника, Развлекательные программы
4	Jazz, Country	Джаз, Музыка кантри	Weather, Finance, Children	Метеорологическая информация, Коммерция, Программы для детей
5	Nation, Oldies	Национальная музыка, Музыка ретро	Social, Religion, Phone IN	Социальные новости, Религиозные программы, Ток-шоу
6	Folk	Народная музыка	Travel, Leisure, Document	Программы для путешественников, Хобби и развлечения, Документальные программы

При включенной функции РТУ приемник начинает поиск соответствующего типа программы; поиск останавливается, когда программа найдена. Если в течение нескольких секунд ни одна программа не была выбрана, приемник настроится на предыдущую программу. Если за один цикл нужный тип программы не найден, приемник вернется к текущему режиму.

Дополнительные функции

Нажимайте и удерживайте кнопку SELECT до отображения на дисплее нужной функции. Вращайте регулятор VOL, чтобы выбрать нужную опцию. После осуществления выбора несколько секунд не нажимайте никаких кнопок, чтобы активировать изменения.

Функция TA SEEK/TA ALARM

В режиме TA SEEK устройство выполнит поиск программ о дорожном движении при нажатии кнопки TA; TA ALARM: когда выбран данный режим, функция автоматической перенастройки радиоприемника не работает. Вместо этого радиоприемник включает звуковое оповещение.

Функция MASK DPI/MASK ALL

После включения режима AF (поиск альтернативных частот с той же программой), программа, которую Вы прослушиваете, может быть замещена другой программой, которая вещает на той же частоте. Чтобы этого избежать, активируйте функцию MASK DPI. В режиме MASK DPI устройство маскирует только альтернативные частоты с разными информационными программами. В режиме MASK ALL устройство маскирует и информационные программы, и станции, не поддерживающие RDS.

Функция RETUNE S/L (SHORT/LONG)

«RETUNE» означает временной интервал прерывания радио сигнала для сканирования. «S» означает короткий интервал, составляющий 30 секунд; «L» означает длинный интервал, составляющий 90 секунд. Режим Retune для режима TA активен только при выборе TA SEEK.

Режим поиска SEEK1/SEEK2

SEEK 1: В данном режиме при обнаружении станции автопоиск будет остановлен даже в случае последующего нажатия кнопки PREVIOUS или NEXT.

SEEK 2: При нажатии и удерживании кнопки PREVIOUS или NEXT автопоиск будет продолжен даже при обнаружении станции. Если Вы отпустите кнопку PREVIOUS или NEXT, поиск будет остановлен после обнаружения станции.

Функция VOL LAST/VOL ADJUST

При выборе VOL LAST после включения устройства звук будет воспроизводиться при уровне громкости, установленном пользователем. При выборе VOL ADJ Вы можете установить уровень громкости, который будет активен после последующих включений устройства.

Операции с дисками

Загрузка диска

- Откройте переднюю панель. Вставьте диск в слот маркированной стороной вверх. Закройте переднюю панель. Воспроизведение диска начнется автоматически.
- Откройте переднюю панель и нажмите кнопку EJECT, чтобы извлечь диск. Если диск не извлечен из слота в течение нескольких секунд, он автоматически загружается обратно в слот. Когда диск будет извлечен из слота, устройство автоматически переключится в режим радио.

Воспроизведение/Пауза

Чтобы обеспечить высокое качество воспроизведения, дождитесь, пока плеер закончит читать диск. Нажмите кнопку 1/PAU, чтобы приостановить воспроизведение. Нажмите кнопку еще раз, чтобы возобновить воспроизведение.

Переход к предыдущему или следующему треку

Во время воспроизведения нажмите кнопку PREVIOUS или NEXT, чтобы перейти к следующему или предыдущему треку соответственно.

Ускоренное воспроизведение вперед или назад

Во время воспроизведения нажмите и удерживайте кнопку PREVIOUS или NEXT, чтобы начать ускоренное воспроизведение назад или вперед соответственно. Отпустите нажатую кнопку, когда нужный фрагмент будет найден.

Функция Intro (обзорное воспроизведение)

Вы можете последовательно воспроизводить начало каждого трека в течение нескольких секунд. Во время воспроизведения треков нажмите кнопку 2/INT, чтобы начать обзорное воспроизведение. Нажмите кнопку еще раз, чтобы отменить функцию.

Повторное воспроизведение

Во время воспроизведения трека нажмите кнопку 3/RPT, чтобы начать его повторное воспроизведение. Нажмите кнопку еще раз, чтобы отменить функцию повтора.

Воспроизведение в случайном порядке

Во время воспроизведения трека нажмите кнопку 4/RDM, чтобы начать случайное воспроизведение всех треков на диске. Нажмите кнопку еще раз, чтобы отменить функцию.

Переход на 10 треков (только для MP3/WMA)

Нажмите кнопку 6 или 5, чтобы перейти на 10 треков вперед или назад соответственно.

ID3-тэги

Если MP3 файл содержит информацию совместимого формата ID3 Tag, эта информация будет отображаться на дисплее.

Поиск файлов

Отмените режимы случайного, повторного и обзорного воспроизведения перед поиском.

Поиск по номеру трека:

- Нажмите кнопку A/PS. Нажмите кнопку SELECT; первая цифра номера треку будет мигать. С помощью регулятора VOL выберите номер трека. Переключение между цифрами номера трека осуществляется с помощью кнопки SELECT.
- Нажмите кнопку SELECT, начнется воспроизведение выбранного трека.

Поиск по папке:

- Нажмите дважды кнопку A/PS. Нажмите кнопку SELECT; на дисплее отобразится имя первой папки на диске. Используйте регулятор VOL, чтобы выбрать нужную папку.
- После того, как папка выбрана, на дисплее отобразится имя первого трека в папке. Вращайте регулятор VOL для выбора нужного трека в папке.
- Нажмите кнопку SELECT, чтобы начать воспроизведение выбранного трека.

Поиск по символу:

- Нажмите трижды кнопку A/PS. Нажмите кнопку SELECT, на дисплее отобразится символ "A".
- Используйте регулятор VOL, чтобы выбрать первый символ названия нужного трека. Нажмите кнопку SELECT для перехода к выбору следующего символа.
- Когда Вы закончите набор названия трека, нажмите и удерживайте кнопку SELECT для запуска воспроизведения файла с выбранным названием. Если трек с таким названием на диске отсутствует, на дисплее отобразится надпись "NOT FOUND" ("не найдено").

Примечание: Рекомендуется записывать файлы в корневой каталог и не использовать сложную

структурную систему папок, для того чтобы поиск был возможен.

ESP (Электронная система стабилизации для компакт-дисков)

Нажмите и удерживайте кнопку SELECT, затем нажимайте ее несколько раз до отображения на дисплее "ESP12" ("ESP45"). Вращайте регулятор VOL, чтобы выбрать "ESP 12"; это означает, что выбрана система стабилизации (система антишок для дисков) на 12 секунд. Вы также можете выбрать систему стабилизации на 45 секунд, на дисплее отобразится "ESP 45".

Обзор MP3/WMA

- MP3 это краткое обозначение аудио слоя MPEG 3 и относится к стандарту технологии сжатия звука.
- Данное изделие позволяет воспроизводить файлы MP3 на дисках CD-ROM, CD-R или CD-RW.
- Изделие может считывать файлы MP3, записанные в формате, соответствующем ISO 9660. Однако оно не поддерживает данные MP3, записанные методом пакетной записи.
- Изделие не может считывать файлы MP3, которые имеют расширение файла, отличающееся от “.mp3”.
- Если вы воспроизводите не MP3 файл, который имеет расширение “.mp3”, вы можете слышать некоторые шумы.
- В данном руководстве мы рассматриваем файлы, называемые “файлами MP3” и “папкой”, а в технологии PC “дорожкой” и “альбомом” соответственно.
- Максимальное количество уровней директории равно 8, включая корневую директорию. Максимальное количество файлов и папок на диске 256.
- Изделие может не воспроизводить дорожки в последовательном порядке.
- Изделие воспроизводит только аудио треки, если диск содержит как аудио треки, так и файлы MP3.
- При воспроизведении диска 8 килобит или VBR, истекшее время воспроизведения в окне дисплея будет неправильным, а также ознакомительное воспроизведение может не действовать надлежащим образом. VBR: Переменная скорость передачи битов.
- Устройство поддерживает воспроизведение WMA файлов. Воспроизведение ID3 тегов для формата WMA не является гарантированным, так как это зависит от версий и наличия кириллицы.
- WMA (Windows Media Audio) – формат сжатия музыкальных данных, созданный Microsoft Corporation. Формат использует алгоритмы кодирования для сжатия исходной аудиозаписи, значительно уменьшая размеры файла, но, сохраняя хорошее качество звука даже при низких (например, 64 Кбит/сек) скоростях передачи данных (битрейтах).
- Помните, что изделие может не воспроизводить треки в том порядке, в котором они записаны на диске.

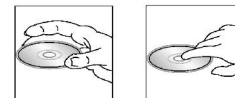
Примечание по созданию собственных CD-R или CD-RW дисков, содержащих файлы MP3:

- Для получения высокого качества звука мы рекомендуем преобразовывать файлы MP3 с эталонной частотой 44,1 кГц и фиксированным битрейтом 128 Кбит/сек.
- Не сохраняйте более 256 файлов MP3 на диске.

- Для формата, совместимого с ISO 9660, максимально допустимая глубина вложенных папок равняется 8, включая корневую директорию (папку).
- При использовании диска CD-R воспроизведение возможно только для дисков, которые были закончены.
- Убедитесь, что при записи MP3 CD-R или CD-RW были отформатированы как диски данных, а не как аудио диски.
- Вы не должны записывать не-MP3 файлы или ненужные папки вместе с файлами MP3 на диск, в противном случае потребуется много времени, пока изделие начнет воспроизводить файлы MP3.
- На некоторых CD-R или CD-RW данные могут не быть записаны надлежащим образом в зависимости от качества их производства. В этом случае данные могут быть воспроизведены не надлежащим образом. Рекомендуются диски CD-R или CD-RW высокого качества.
- Имя альбома или композиции может содержать до 16 символов.
- Помните, что изделие может не воспроизводить треки в том порядке, в котором они записаны на диске.

Обращение с компакт-дисками

- Грязные, поцарапанные или погнутые диски могут вызвать искажение звука или шумы
- Держите диск только за края (как показано на рисунке). Чтобы обеспечить чистоту, не прикасайтесь к его поверхности.
- Диски должны храниться в их чехлах после использования, чтобы не поцарапать их поверхность.
- Не подвергайте диски воздействию прямого солнечного света, повышенной влажности, повышенным температурам или пыли.
- Продолжительное влияние предельных температур может изогнуть диск (например, пребывание дисков в автомобиле в летнее время).
- Не царапайте и не пишите что-либо на любой стороне диска. Острые пишущие инструменты или чернила, используемые в них, могут повредить поверхность диска.
- Не прикасайтесь к стороне, не имеющей маркировки.
- Не прикрепляйте какую-либо печать, этикетку или лист предохранения данных к какой-либо стороне диска.
- Данное изделие не может воспроизводить диски размером 3 дюйма (8 см).
- Никогда не используйте диски размером 3 дюйма, установленный в адаптер, или диски нестандартной формы. Изделие не сможет выбросить его, что приведет к сбою.



Чистка и уход

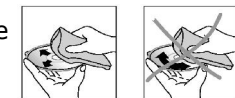
Чистка корпуса

Протирайте мягкой тканью. Если корпус очень загрязнен (не мочите его), используйте ткань, слегка смоченную мыльным раствором, и затем вытрите его сухой тканью.

Чистка дисков

а) Отпечатки пальцев должны быть тщательно стерты с поверхности диска мягкой тканью. В отличие от обычных пластинок, компакт-диски не имеют канавок для сбора пыли и микроскопических частиц грязи, поэтому осторожно вытирайте их мягкой тканью, чтобы убрать частицы грязи. Вытирайте прямолинейным движением от центра к краю.

б) Никогда не используйте растворитель, бензин, очиститель пластинок или антистатический аэрозоль для чистки дисков. Такие химические вещества могут повредить его пластиковые поверхности.



Руководство по устранению неисправностей

Ниже приводится таблица, в которой описаны простые проверки, способные помочь Вам устранить большую часть проблем, могущих возникнуть при использовании данного устройства. Если нижеуказанные меры не помогли, обратитесь в сервисный центр или к ближайшему

Неисправность	Причина	Решение
Нет питания	Зажигание машины не включено. Сгорел предохранитель.	Если источник питания подключен надлежащим образом к выключателю машины, установите ключ зажигания в положение "ACC". Замените предохранитель.
Невозможно загрузить диск	В плеер установлен диск.	Удалите диск из плеера, затем установите новый.
Невозможно считать диск	Диск установлен верхней стороной вниз. Диск загрязнен или имеет дефект. Температура внутри машины очень высокая.	Установите компакт диск стороной с этикеткой вверх. Очистите диск или установите новый. Подождите, пока температура не станет нормальной.
Нет звука	Звук установлен на минимум. Кабель не подключен надлежащим образом.	Отрегулируйте звук до необходимого уровня. Проверьте подключение кабеля.
Не действуют кнопки	Встроенный микрокомпьютер не работает надлежащим образом из-за шумов. Передняя панель не установлена на свое место.	Нажмите кнопку POWER и держите в течение 10 секунд, чтобы сбросить настройки.
Звук пропадает	Угол установки устройства более 30 градусов. Диск загрязнен или имеет дефект.	Отрегулируйте угол установки, установив его менее 30 градусов. Очистите диск или установите новый.
Радио не работает. Не работает автоматический выбор радиостанции	Антенный кабель не подключен. Сигналы слишком слабы.	Вставьте антенный кабель надежно. Выберите станцию вручную.
Однократное отображение на	Возможна ошибка диска.	Выполните перезапуск устройства с помощью кнопки RESET.

дисплее сообщения об ошибке (ERROR 1 – 11)		Убедитесь, что диск установлен в устройство правильно. Очистите или замените диск.
Повторяющееся отображение на дисплее сообщения об ошибке (ERROR 1 – 11)	Ошибка в работе устройства.	Обратитесь в сервисный центр.

Технические характеристики

Общие	
Источник питания	12 В постоянного тока
Потребляемый ток	макс. 10 А
Максимальная выходная мощность	50 Вт x 4 канала
Предохранитель	10А
Размеры (Д x Ш x В)	178 x 50 x 178 мм
Диапазон температур	-20°C - +60°C
Угол установки	0° - +/-30°
FM радио	
Частотный диапазон	65,0 – 74,0/87,5 – 108,0 МГц
Количество сохраняемых станций	24
Промежуточная частота	10.7 МГц
MW (AM) радио	
Частотный диапазон	522-1620 кГц
Количество сохраняемых станций	12
Используемая чувствительность	32 дБ
Плеер дисков	
Воспроизведение форматов	CD/MP3/WMA
Поддержка носителей	CD/CD-R/CD-RW
Частотные характеристики	20 Гц - 20 кГц
Отношение сигнал/шум CD	>60 дБ
Электронная система стабилизации	40 с ESP для CD/ 120 с для MP3/ 300 с для WMA
Линейный выход	
Выход	Линейный RCA-выход (2В) Линейный RCA-вход

Технические характеристики могут быть изменены заводом-изготовителем без предварительного уведомления.

Указанные геометрические размеры имеют приблизительные значения.



АИ49

SOUNDMAX