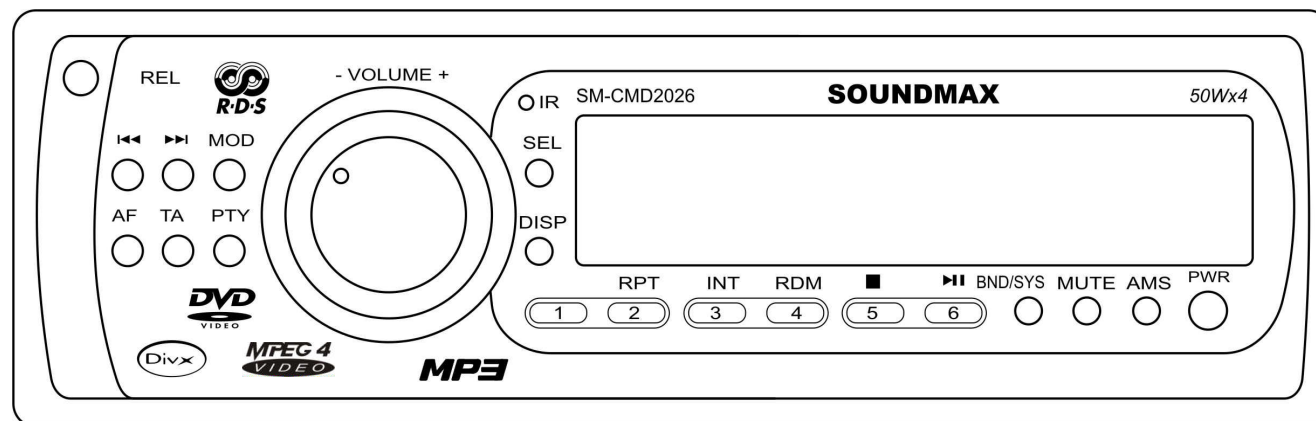
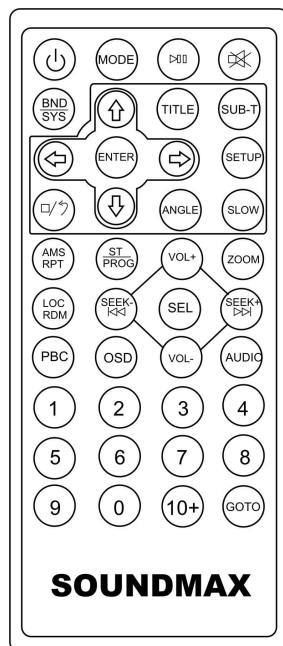


# SM-CMD2026



**DVD/CD/MP3-RECEIVER**  
**Instruction manual**

**DVD/CD/MP3-РЕСИВЕР**  
**Руководство по эксплуатации**

**Dear customer!**

Thank you for purchasing our product. For safety, it is strongly recommended to read this manual carefully before connecting, operating and/or adjusting the product and keep the manual for reference in the future.

**Table of contents**

Table of contents ..... 2

Important safeguards..... 3

Installation/ Connections ..... 4

Panel controls..... 8

General operations..... 12

Radio operations..... 13

DVD/CD operations..... 15

MP3 overview ..... 20

System setup menu ..... 21

Anti-theft system..... 24

Handling compact discs ..... 25

Cleaning ..... 25

Troubleshooting guide ..... 26

Specification ..... 27

## Important safeguards

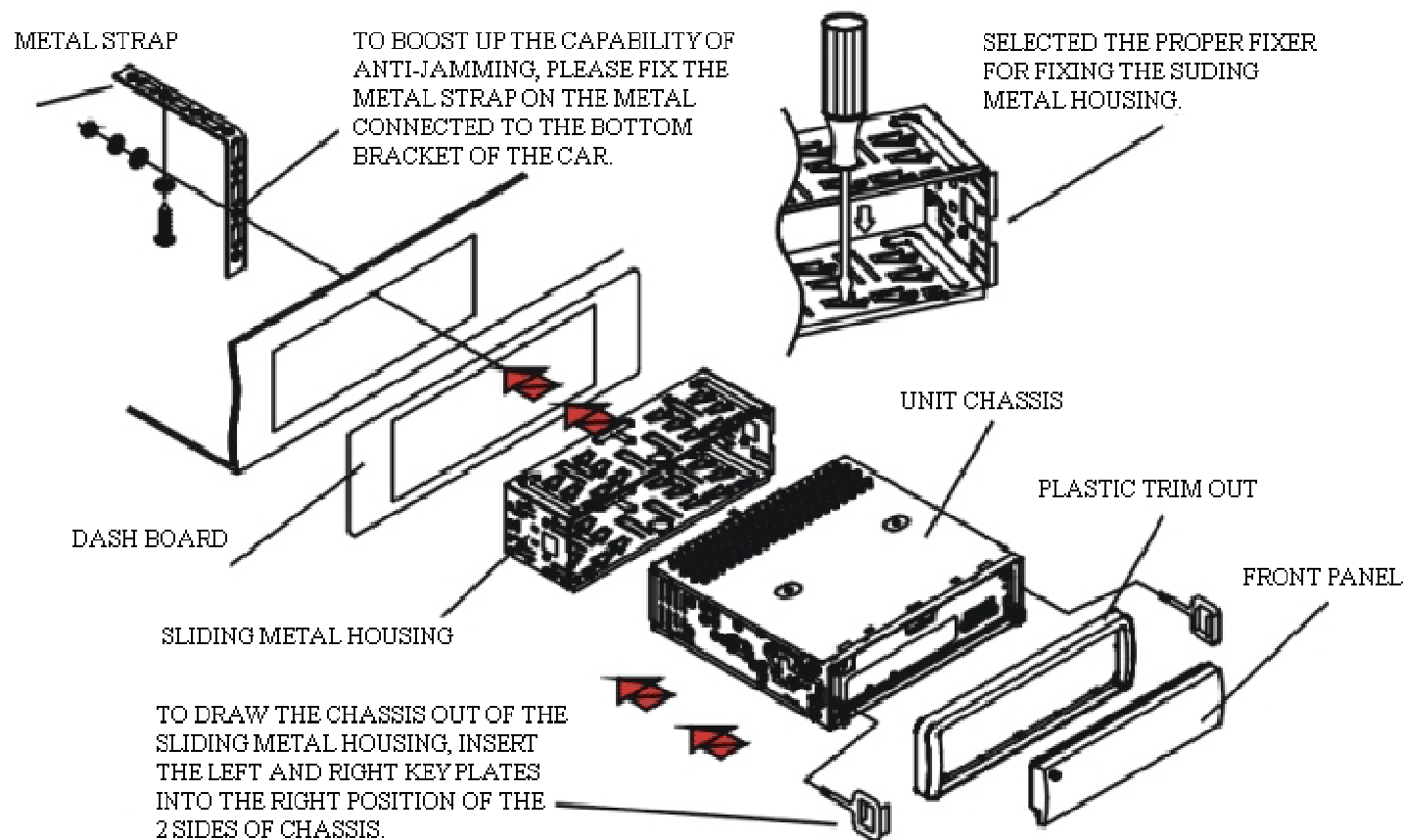
- Read carefully through this manual to familiarize yourself with this high-quality sound system.
- Disconnect the vehicle's negative battery terminal while mounting and connecting the unit.
- When replacing the fuse, be sure to use one with an identical amperage rating. Using a fuse with a higher amperage rating may cause serious damage to the unit.
- DO NOT attempt to disassemble the unit. Laser beams from the optical pickup are dangerous to the eyes.
- Make sure that pins or other foreign objects do not get inside the unit; they may cause malfunctions, or create safety hazards such as electrical shock or laser beam exposure.
- If you have parked the car for a long time in hot or cold weather, wait until the temperature in the car becomes normal before operating the unit.
- DO NOT open covers and do not repair yourself. Consult the dealer or an experienced technician for help.
- Make sure you disconnect the power supply and aerial if you will not be using the system for a long period or during a thunderstorm.
- Make sure you disconnect the power supply if the system appears to be working incorrectly, is making an unusual sound, has a strange smell, has smoke emitting from it or liquids have got inside it. Have a qualified technician check the system.
- The unit is designed for negative terminal of the battery, which is connected to the vehicle metal. Please confirm it before installation.
- Do not allow the speaker wires to be shorted together when the unit is switched on. Otherwise it may overload or burn out the power amplifier.
- Do not install the detachable panel before connecting the wire.

## Installation/ Connections

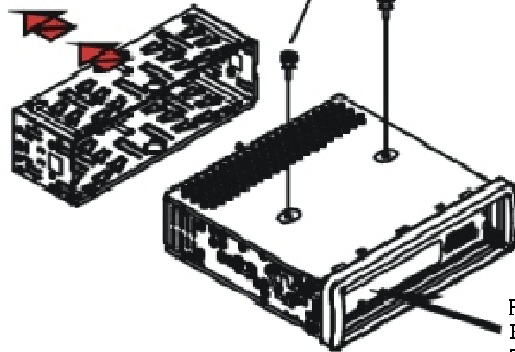
First complete the electrical connections, and then check them for correctness.

### Installation way

It is an anti-theft installation way. The chassis wear a metal sliding housing. Please have the wiring connection of the power supply, speakers and antenna as for the requirement of the manual, and then install the metal sliding housing into the car according to the diagram.

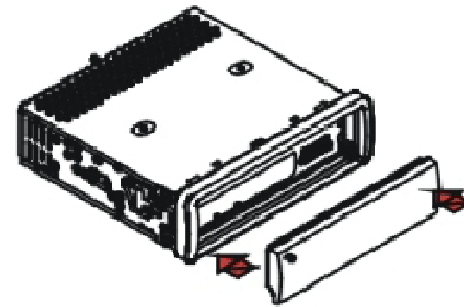


REMOVE THE SLIDING  
METAL HOUSING AWAY

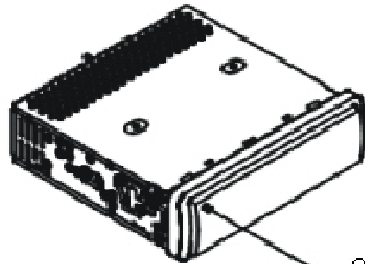


REMOVE AWAY 2 SCREWS FOR PROTECT  
THE DECK BEFORE OPERATING IT.

TO INSTALL THE FRONT PANEL BACK  
INTO THE UNIT CHASSIS, FIRSTLY INSTALL  
THE RIGHT SIDE IF IT BACK INTO THE RIGHT  
POSITION, THEN PUSH THE LEFT SIDE BACK  
TO THE UNIT CHASSIS TILLOK.



RESET BUTTON  
PRESS RESET BUTTON TO RESUME  
THE DISTORTED PROGRAM WHEN  
THE LCD DISPLAY IMPROPERLY AND  
SOME BUTONS ARE INVALID.

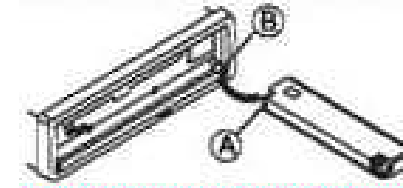


OPEN BUTTON

TO INSERT DISC INTO COMPARTMENT OR EJECT DISC OUT  
OF THE COMPARTMENT OR TAKE THE FRONT PANEL AWAY  
THE UNIT CHASSIS, PRESS THE OPEN BUTTON TO FLIP DOWN  
THE FRONT PANEL.

## Attaching the control panel

1. Insert the right side of the control panel (pic. 1, A) into the shaft of the main unit (pic. 1, B).
  2. Push the panel to the right and insert the left side of it (pic. 2).
- Note:** the control panel must be attached into the T-Joint.
3. Press the top side of the panel until a “click” sound is heard (pic. 3).



Pic. 1



Pic. 2



Pic. 3

## Detaching the front panel

1. Press the REL button on the front panel. The panel will go down.
2. Push the panel to the right and pull it towards you.

### Caution:

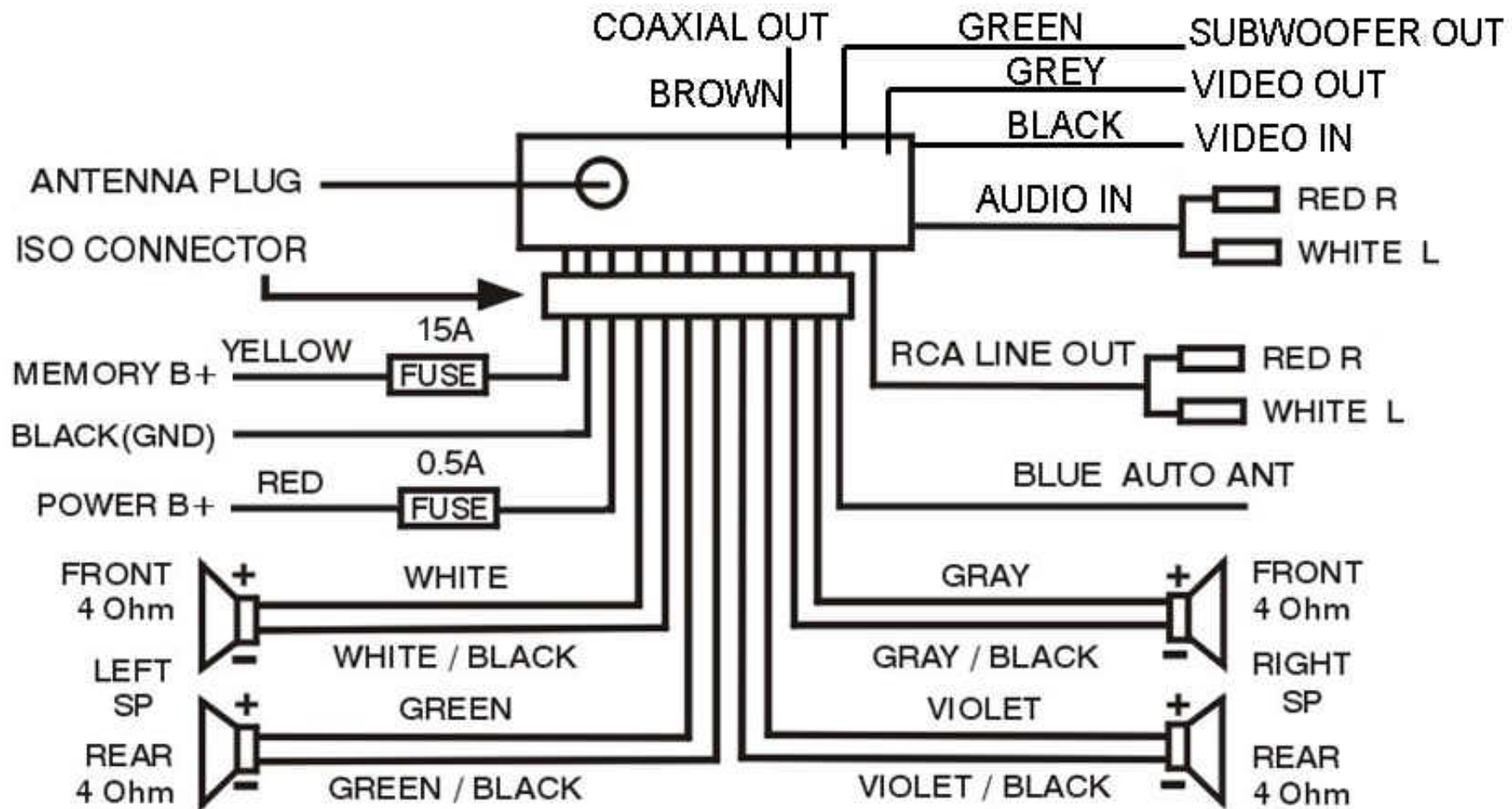
The control panel can easily be damaged by shocks. After removing it, place it in a protective case and be careful not to drop it or subject it to strong shocks.

The rear connector that connects the main unit and the control panel is an extremely important part. Be careful not to damage it by pressing on it with fingernails, pens, screwdrivers, etc.

### Note:

If the control panel is dirty, wipe off the dirt with soft, dry cloth only. And use a cotton swab soaked in isopropyl alcohol to clean the socket on the back of the control panel.

## Connection scheme

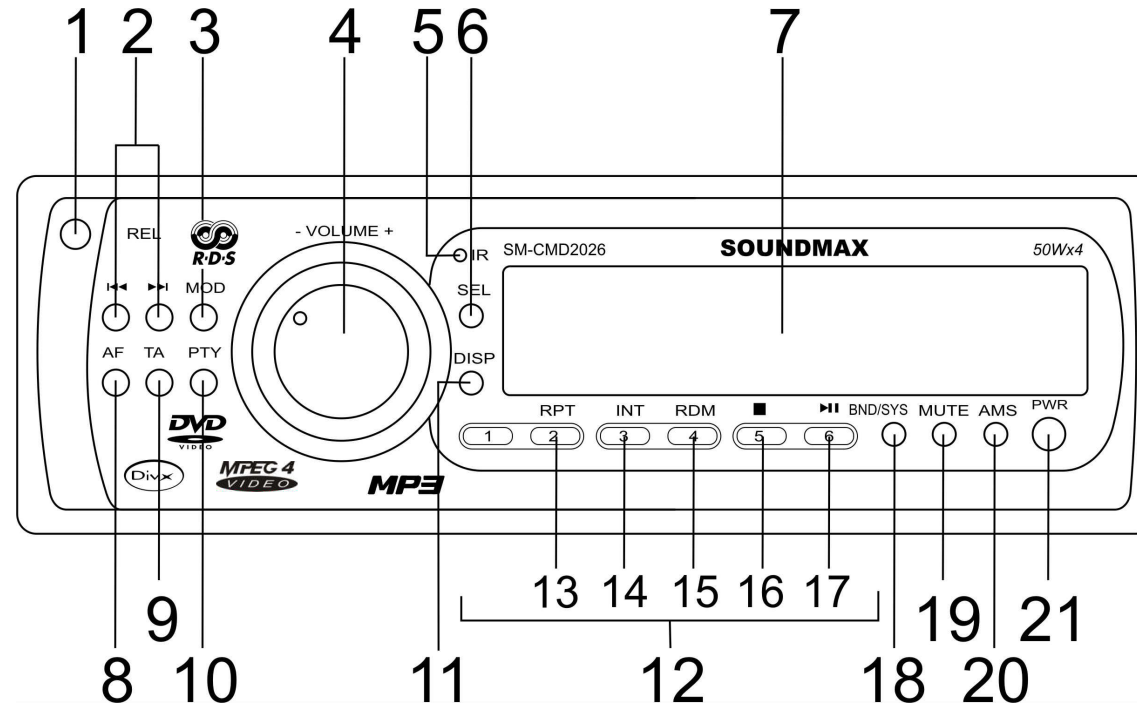


### Notes:

- In spite of having any kinds of speaker system, must use 4 ohms impedance of speaker to reduce the distortion during high volume level.
- Prohibit to make the conductors of auto antenna and ground touch with each other.

# Panel controls

## Front panel



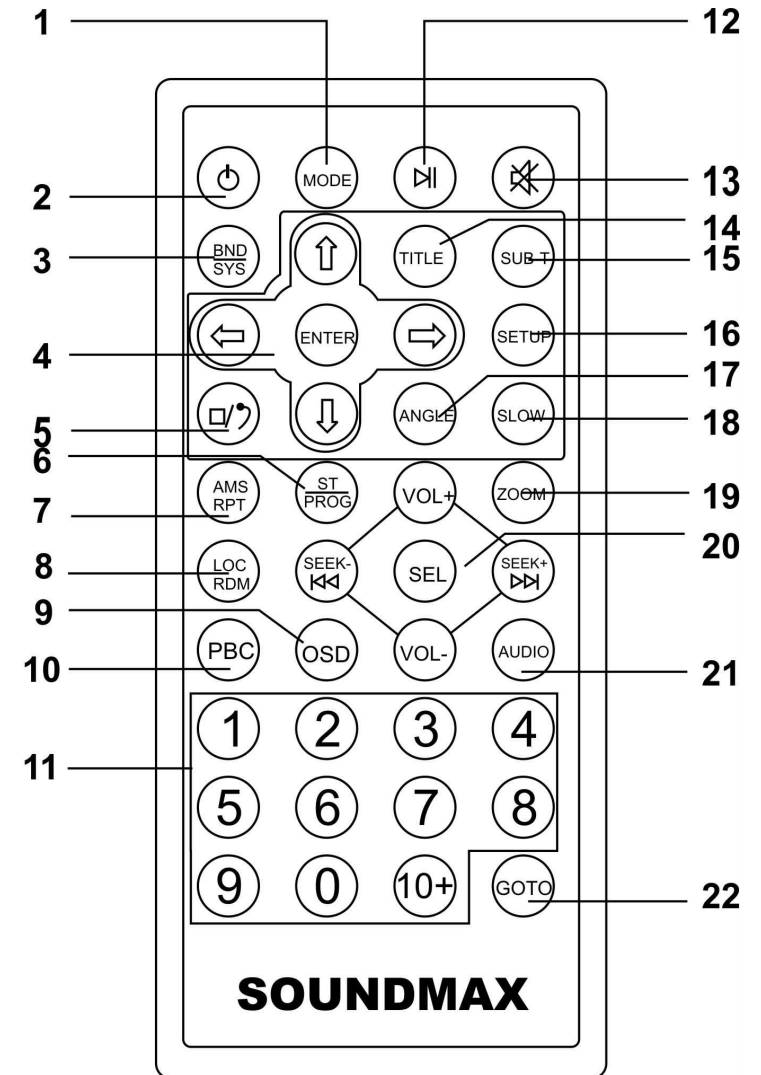
1. REL BUTTON  
Press it to flip down the front panel to insert or eject the disc.
2. ⏮/⏭ BUTTONS  
During playback press the ⏮/⏭ buttons to go to previous/ next track. Press and hold for 2 seconds to start fast backward/ forward playback.  
In RADIO mode press the ⏮/⏭ buttons to search the station manually. Press and hold for 2 seconds to start automatic station searching.
3. MOD BUTTON  
Press it to select the mode: RADIO => AUX => DISC.
4. VOLUME KNOB  
Rotate VOLUME knob clockwise to increase the volume level; rotate anticlockwise to decrease the volume level.



5. INFRA RED SENSOR
6. SEL BUTTON  
Press SEL button repeatedly to select the audio setting: VOL => BAS => TRE => BAL => FAD => DSP => LOUD.  
Press and hold for 2 seconds to set the equalizer setting. Rotate the VOLUME/MENU knob to select it.
7. LCD (LIQUID CRYSTAL DISPLAY)
8. AF BUTTON  
Press it to activate the AF function.
9. TA BUTTON  
Press it to activate the TA function.
10. PTY BUTTON  
Press it to activate the PTY function.
11. DISP BUTTON  
Press it to show the information on the display.  
Press it and hold for 2 seconds to set the time.
12. PRESET STATION [1-6] BUTTONS
13. RPT BUTTON (REPEAT)
14. INT BUTTON (INTRO)
15. RDM BUTTON (RANDOM)
16. STOP BUTTON
17. PLAY/ PAUSE BUTTON
18. BND/SYS BUTTON  
In Radio mode press it to select the band.  
In CD mode press it to show the artist name and track name.
19. MUTE BUTTON  
Press it to turn the sound off.
20. AMS BUTTON  
In RADIO mode press it to start preset stations scanning.  
Press it and hold for 2 seconds, the automatic stations searching and saving will start.
21. PWR BUTTON  
Press it to turn the power on. Press again to turn the power off.

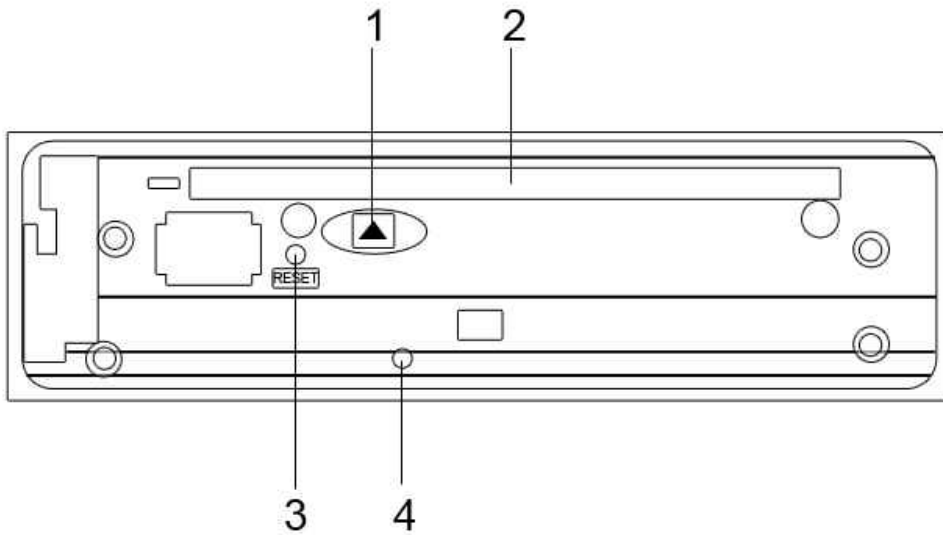
## Remote control

1. MODE BUTTON
2. PWR BUTTON
3. BND/SYS BUTTON
4. ◀/▶/▲/▼ cursor buttons / ENTER BUTTON
5. STOP/REVERSE button
6. ST/PROG BUTTON
7. AMS/RPT BUTTON
8. LOC/RDM BUTTON
9. OSD BUTTON
10. PBC BUTTON
11. DIGITAL BUTTONS
12. PLAY/PAUSE BUTTON
13. MUTE BUTTON
14. TITLE BUTTON
15. SUB-T BUTTON
16. SETUP BUTTON
17. ANGLE BUTTON
18. SLOW BUTTON
19. ZOOM BUTTON
20. SEL / VOL +/- / SEEK- ◀◀/ SEEK+ ▶▶ BUTTONS
21. AUDIO BUTTON
22. GOTO BUTTON



## Inner panel

Press the REL button on the front panel to flip it down.



1. EJECT BUTTON
2. DISC SLOT
3. RESET BUTTON
4. LED INDICATOR

# General operations

## **Reset the unit**

Operating the unit for the first time or after replacing the car battery, you must reset the unit. Press REL button, then press the RESET button to restore the unit to the original factory settings.

## **Power button**

Press the PWR button to switch the unit on. Press it again to switch the unit off.

**Note:** After the unit is off, volume level and radio current settings will be memorized, and when you turn the unit on it will resume the stored status you set.

## **Volume control**

Rotate VOLUME knob clockwise to increase the volume level; rotate anticlockwise to decrease the volume level.

OR press the VOL +/- buttons on the RC to adjust the volume level.

## **Audio settings adjustment**

Press SEL button shortly and repeatedly to select the mode: VOL => BAS => TRE => BAL => FAD => DSP => LOUD. Rotate the VOL knob to adjust each mode.

**NOTE:** Adjustments to Bass and Treble will override any preset EQ (Preset Equalizer Curves).

In each mode, the waiting time is about 5 seconds, and the waiting time is over, it returns to the last display mode of radio or disc playback mode.

## **Mode selection**

Press the MOD button to select the mode: RADIO => AUX => DISC.

## **Mute function**

Press the MUTE button to cancel the sound. Press again to resume.

### **Clock display and adjustment**

Press the DISP button to show the clock on the display.

Press and hold for 2 seconds the DISP button to enter the time set mode. Rotate the VOLUME knob to adjust hours. Press SEL button.

Rotate the VOLUME knob to adjust minutes. Press DISP button to save the time.

## **Radio operations**

**Note:** RDS (Radio Data System) service availability varies with areas. Please understand if RDS service is not available in you area, the following service is not available, either.

### **BAND selection**

Press the BND/SYS button repeatedly to select your desired radio band during RADIO mode: FM1, FM2, FM3, AM1, AM2.

### **Auto/ Manual tuning**

- Manual tuning: Press the ◀/▶ buttons shortly to select a station downward or upward step by step.
- Automatic tuning: Press the ◀/▶ buttons and hold for 2 seconds, the automatic search downward or upward will start. It will play when finds the station.

### **Programming tuner stations**

You can store up to a total of 30 radio stations in the memory (18 FM, 12 AM), manually or automatically.

- To store a station:
  - Select a band (if needed).
  - Select a station.
  - Hold a Preset button (1-6) which you want store the station for at least 2 seconds.
- To recall a station:
  - Select a band (if needed).
  - Press a Preset button (1-6) briefly to recall the stored station.

### **Preset scan**

Select a band. Press AMS button to scan all preset stations in the memory of the current band and stay on each memory station for about 10 seconds. To stop preset scan, press it again.

**Auto memory store**

Select a band. Press AMS button and hold for 2 seconds to enter auto store mode. The radio will automatically store 6 stations to the 6 preset memories of the current band. To stop auto store, press it again.

**Stereo/ Mono mode**

Press the ST/PROG button on the RC to select Stereo or Mono mode.

**Local/ Distant mode**

Press the LOC/RDM button on the RC to select Local or Distant (DX) tuning mode. Local mode improves reception in some areas where the signal is too strong.

**TA (Traffic Announcement) function**

Press the TA button shortly to turn on or turn off the TA function. If the TA function is on the display will show "TA".

When TA is enabled (on), the tuner starts searching the traffic announcement.

**AF (Alternative Frequencies) function**

Press the AF button on to turn on or turn off the AF function. If the AF function is on the display will show "AF".

The RDS program will be automatically searched and received. If the RDS signal is weak or even no signal, the unit will search another frequency with this RDS program.

Default setting is ON.

**PTY (Program Type) function**

1. Press PTY button to activate the PTY function.
2. Press and hold for 3 seconds the "3" number button, the LCD will show "PTY M". In about 5 seconds the LCD will show "SEEK PTY" and it will start searching the PTY M.
3. Press PTY button again to switch the PTY function off.

# DVD/CD operations

## Disc glossary

### **PBC (PlayBack Control)**

PBC is a menu recorded on the disc with SVCD or VCD2.0 format. For the discs contained PBC, it can playback interactive software with the menu displayed on TV. And if the disc contains still images, it can playback high definition of still image.

### **Title**

The title is the important part of DVD disc. The memory volume of the disc is rather big, that makes possible to record several films on one disc. For example, if a disc contains three films, they may be divided into Title 1, Title 2 and Title 3. You can easy use the functions of looking-for.

### **Chapter**

A title can be divided into several blocks, so that every block can be operated as a unit, the unit is called chapter. The chapter contains a unit at least.

### **Track**

It is the biggest component of VCD. Generally, every song of karaoke disc is a track.

## Discs for playback

This unit can play disc types: CD/DVD/DVD±R/CD-R/-RW.

Compatible with formats: DVD-audio/DVD-video/SVCD/VCD/MP3/WMA/JPEG/Picture-CD/Photo-CD/DivX/MPEG4/MP4.

The following file types are supported:

Audio files: MP3 (\*.mp3)

WMA (\*.wma)

Video files: MP4 (\*.avi, DIVX3.11/4.0/5.0/6.0 and XVID)

MPEG 2(\*.vob)

MPEG 1(\*.dat)

Picture file: JPEG (\*.jpg)

ISO 9660 or ISO 9660 +Joliet format - Max. 30 characters

Max. Track number is 448

Max. nested directory is 8 levels

The max. album number is 99

The max. length of each track is 99 minutes 59 seconds

Supported sampling frequency for MP3 disc: 8 KHz – 48 KHz (44.1 KHz preferably)

Supported bit-rates of MP3 disc are: 32 - 320 kbps (128 kbps preferably).

Following formats are NOT supported \*.ACC, \*.DLF, \*.M3U, \*.PLS, MP3 PRO, files with DRM.

Open session discs are NOT supported.

### **Loading/ eject a disc**

- Press the REL button on the panel. Insert the disc with the printed side facing upward into the slot.
- Press EJECT button on the inner side to eject the disc.

### **Playing/ pausing playback**

- Press the PLAY/PAUSE button to start playback.

To ensure good system performance, wait until the unit finishes reading the disc information before proceeding.

- Press the PLAY/PAUSE button to pause the playback. Press again to resume the playback.

### **Stop playback**

Press the STOP button to stop the playback. Press the PLAY/PAUSE to start playback.

### **Using the number buttons**

Press the number buttons to insert the track/chapter number.

To insert the number between 10 and 19 press the 10+ button first, then the desired number.

To insert the number between 20 and 29 press the 10+ button twice, then the desired number. And so on.

### **Playing the previous/ next track**

During playback press the «/» buttons to play the previous/ next track.

### **Fast forward and backward playback**

Press and hold the «/» buttons to fast the playing in backward or forward direction.

Release the button when the desired location is found.



### **Slow playback**

During playback press the SLOW button to start the slow playback: 1/2, 1/3, 1/4, 1/5, 1/6, 1/7, Normal.

### **Repeat playback**

During disc playback, press the RPT button to repeat the current track/chapter playback. Press again to cancel the repeat function. .

### **Random playback**

During disc playback, press the RDM button to start random playback of the tracks. Press again to cancel.

### **Intro playback**

You can play the beginning of every track for 10 seconds in sequence. Press the INT button to start intro play. Press again to cancel.

### **Changing angle (for DVD only)**

If DVD disc supports multi-angle playback, press the ANGLE button on the RC to playback images in different camera angles. If discs doesn't support multi-angle playback, this function will not work.

### **Selecting audio languages**

During DVD disc playback press AUDIO button on RC repeatedly to select the audio language to listen (if the disc supports multi-language mode).

### **Selecting the channel (for VCD only)**

During VCD disc playback press the AUDIO button on the RC to select the channel: Left => Right => Stereo.

### **Selecting subtitle language (for DVD only)**

Subtitle language is in disc initiation setting during playback. If DVD disc supports multi-subtitle playback, press the SUB-T button on the RC repeatedly to switch among languages.

### **Changing size (for DVD/VCD)**

During playback press the ZOOM button on the RC. The picture will be enlarged accordingly: X2, X3, X4, X1/2, X1/3, X1/4, Normal. When the picture is enlarged use the cursor buttons to see the whole picture.

**OSD (OnScreen Display) function**

Press the OSD button on the RC repeatedly to show the current track/chapter, current time on the display.

**Title playing (for DVD only)**

- Press TITLE button on the RC to activate the disc title list on the screen.
- Press the ▲/▼ buttons on the RC to select the desired title or press the digit buttons to insert the desired number directly.
- Press ENTER button or PLAY/PAUSE button to confirm the selected item and start playing.

**PBC (Playback Control) function (for VCD only)**

If you insert a VCD with PBC, playback starts from the beginning of the 1st track automatically.

1. Press PBC button on the RC to activate PBC menu on screen during playback.
2. If the menu consists a list of titles, you can select a desired one using the ◀/▶/▲/▼ buttons on the RC or digit buttons.
3. The VCD starts playing the selected title automatically or press PLAY/ PAUSE / ENTER button to confirm the selected track for playback.
4. Press PBC again to exit menu.

**GOTO function**

During the playback press the GOTO button on the RC to enter the search mode. Use the digital buttons and cursor buttons to input the desired track/chapter number or time. Press ENTER to start its playing.

**Program playing**

During playback press the ST/PROG button on the RC to open the program menu. Press the cursor buttons and number buttons to set the sequence of playback.

### **Audio/ Video/ Picture file operations**

Insert the CD with mixed files (.mp3, .jpeg, .wma, .mpeg4 files). Category/ Folder/ File list will be displayed on the screen, and file/ folder name being played will be displayed on top. Current selected item will be highlighted.

#### **Category Select**

1. Use ◀/ ▶ to select the category:

 AUDIO

 PICTURE

 VIDEO.

2. Press ENTER to confirm.

#### **Folder select**

1. Use ◀/ ▶ to enter folder list and use ▲/ ▼ to select desired folder.

2. Press ENTER to confirm.

#### **File select**

1. Use ◀/ ▶ to enter file list and use ▲/ ▼ or the number buttons to select desired file.

2. Press ENTER to playback.

3. Press STOP button to stop playback and return to the list.

For PICTURE, press PLAY/ PAUSE to slide show the pictures.

# MP3 overview

## **Notes on MP3**

- MP3 is short for MPEG Audio Layer 3 and refers to an audio compression technology standard.
- This product allows playback of MP3 files on CD-ROM, CD-R or CD-RW discs.
- The unit can read MP3 files written in the format compliant with ISO 9660. However it does not support the MP3 data written by the method of packet write.
- The unit can not read an MP3 file that has a file extension other than “.mp3”.
- If you play a non- MP3 file that has the “.mp3” extension, you may hear some noise.
- In this manual, we refer to what are called “MP3 file” and “folder” in PC terminology as “track” and “album”, respectively.
- Maximum number of directory level is 8, including the root directory. Maximum number of files and folders per disc is 256.
- The unit may not play tracks in the order of Track numbers.
- The unit plays only the audio tracks if a disc contains both audio tracks and MP3 files.
- When playing a disc of 8 kbps or “VBR”, the elapsed playing time in the display window will not be correct and also the intro play may not function properly. “VBR”: Variable Bit Rate.

## **Notes on creating your own CD-Rs or CD-RWs containing MP3 files**

- To enjoy high quality sound, we recommend converting to MP3 files with a sampling frequency of 44.1 kHz and a fixed bit rate of 128 kbps.
- DO NOT store more than 256 MP3 files per disc.
- For ISO 9660 - compliant format, the maximum allowable depth of nested folders is 8, including the root directory (folder).
- When CD-R disc is used, playback is possible only for discs, which have been finalized.
- Make sure that when MP3 CD-R or CD-RW is burned that it is formatted as a data disc and NOT as an audio disc.
- You should not write non-MP3 files or unneeded folders along with MP3 files on the disc otherwise it takes a long time until the unit starts to play MP3 files.
- With some CD-R or CD-RW media, data may not be properly written depending on their manufacturing quality. In this case, data may not be reproduced correctly. High quality CD-R or CD-RW disc is recommended.
- Up to 16 characters are displayed for the name of an Album or a Track. ID3TAG version 1.x is required.

Note that the unit may not play Tracks in the order that you wrote them to the disc.

# System setup menu

1. Press the SETUP button on the RC to display the system setup menu.
2. Use the ◀/▶ cursor buttons on RC to select the desired menu: System setup, Language setup, Audio setup, Video setup, Preference.
3. Press ENTER to enter it.
4. Use the ▲/▼ cursor buttons to select the desired setting.
5. Press ▶ to enter the setting adjustment subwindow.
6. Press the ▲/▼ cursor buttons to select the option of the setting and press ENTER to confirm it.

## System setup

### TV system

This unit is suitable for all kinds of TV systems. You can select one of the PAL, NTSC or Auto.

**Auto:** the TV system is auto switched according to the disc system.

**NTSC:** this system is used in USA, Taiwan, Japan etc.

**PAL:** this system is used in China, Europe, Hong Kong etc.

### Auto play

Set auto play on and the unit will start playing disc when you load it.

### TV type

**4:3 PS:** When the unit connects to the normal TV set, the wide-screen image shows on the full screen, but some part is cut off.

**4:3 LB:** When the unit connects to the normal TV set, the wide-screen image shows and black bars appear on the top and bottom of screen.

**16:9:** Use this item when the unit is connected with the wide screen TV set.

### Password

Here you can change the password. Insert your old password or 0000 (the general one).

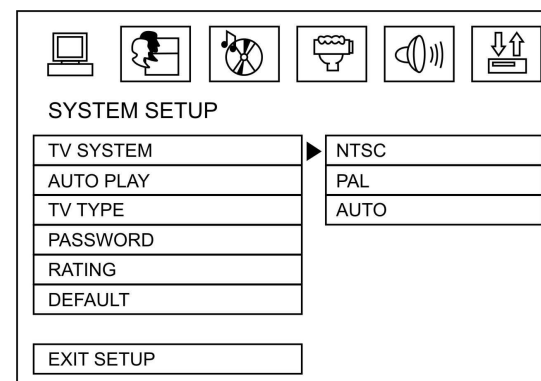
Insert the new password. Insert it again.

Press ENTER button to save the new password.

### Rating

The rating level is for parents to control playing content and protect your children from violence and erotic. The disc, the level of which is higher than the setting level cannot be played.

To change the parental control level you should enter the password (your or the general one: 0000).



**Default**

Reset to the initial factory setups

**Language setup**

**OSD language**

Select the OSD language.

**Audio language**

Select the audio language (if DVD disc supports several audio languages).

**Subtitle language**

Select the subtitle language (if DVD disc supports several subtitle languages).

**Menu language**

Select the OSD language (if DVD disc supports several menu languages).

**DivX [R] vod (option)**

**Audio setup**

**AUDIO OUT**

**SPDIF/OFF:** no digital signal out (optical or coaxial output off), only analog audio output.

**SPDIF/RAW:** digital signal output in the original format recorded in the disc.

**SPDIF/PCM:** digital signal output in the decoded PCM form.

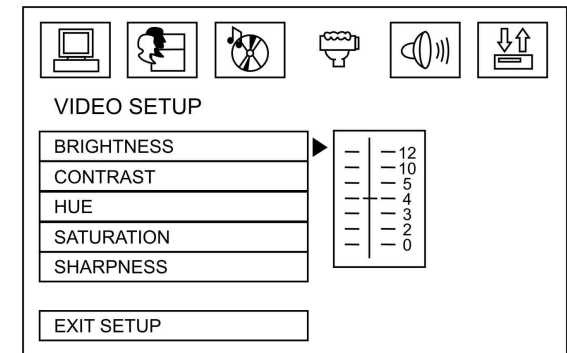
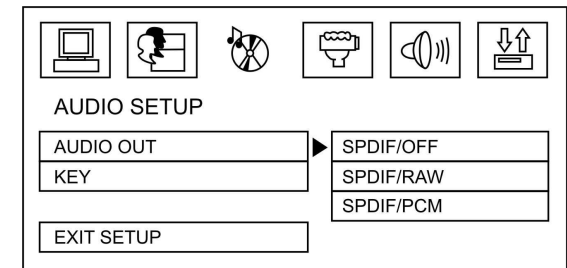
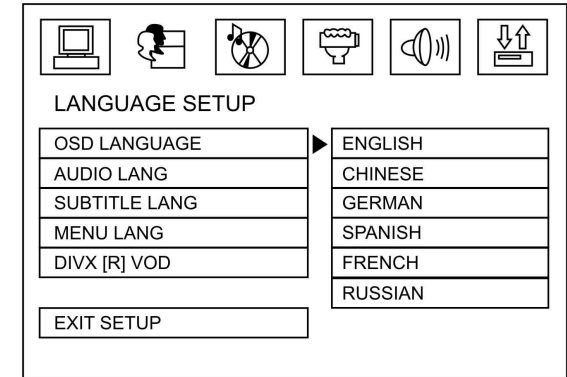
**KEY**

Setup the volume with the ▲/▼ buttons.

**Video setup**

**Brightness, Contrast, Hue, Saturation, Sharpness**

You can set the Brightness, Contrast, Hue, Saturation, Sharpness according to your preference.



## Digital setup

### **OP MODE**

Select the output mode: **Line out, RF remod.**

### **DYNAMIC RANGE**

If watching large dynamic scope movie program at night, to select this mode you can reduce the volume to a very low level, at the same time, to keep the fine details sounds. In this case, this doesn't disturb the family and keep the quality sounds.

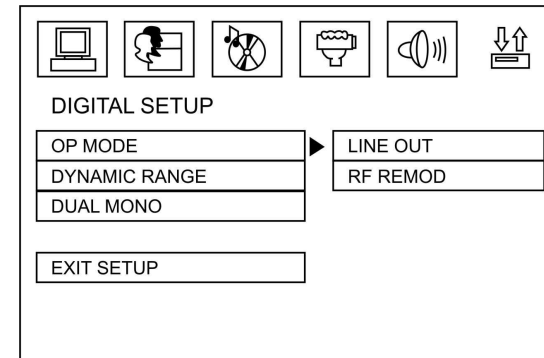
### **DUAL MONO**

**Stereo:** stereo output signal.

**Mono L:** left output signal.

**Mono R:** right output signal.

**Mix Mono:** left and right output average signal.



## Anti-theft system

This unit is equipped with a slide-down detachable and mask panel. Panel can be detached and taken with you, helping to deter theft.

### **Detaching the front panel**

1. Press the PWR button to turn the power off.
2. Press the REL button on the front panel. The panel will go down.
3. Push the panel to the right and pull it towards you.
4. Place the panel into the case and take it with you when you leave the car.

### **Attaching the control panel**

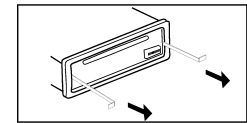
1. Insert the right side of the control panel into the shaft of the main unit.

**Note:** the control panel must be attached into the T-Joint.

2. Push the panel to the right and insert the left side.
3. Press the top side of the panel until a "click" sound is heard.

### **Remove the unit**

1. Remove the panel and the trim plate.
2. Insert both T-Keys into hole in front of the set until they lock.
3. Pull out the unit (pic. 1).



Pic. 1



## Handling compact discs

Dirty, scratched or warped discs may cause skip ping or noise.

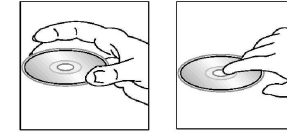
Handle the disc only by the edges. To keep clean do not touch its surface.

Discs should be stored in their cases after use to avoid scratches.

Do not expose discs to direct sunlight, high humidity, high temperature or dust.

Prolonged exposure to extreme temperature can warp the disc (such as leaving the discs in your car during summertime).

Do not stick or write anything on either side of disc. Sharp writing instruments, or the inks used in some felt-tip pens, may damage its surface.



DO NOT touch the unlabeled side. DO NOT attach any seal, label or data protection sheet to either side of a disc.

This unit cannot play 3-inch ( 8cm ) CDs.

Never insert a 3-inch CD contained in the adapter or an irregularly shaped CD. The unit may not be able to eject it, resulting in a malfunction.

## Cleaning

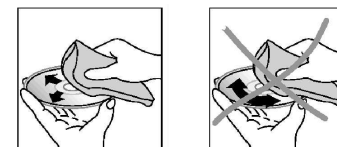
### 1. Cleaning the cabinet

Wipe with a soft cloth. If the cabinet is very dampen (not dropping wet) the cloth with a weak solution of soapy water, and then wipe clean.

### 2. Cleaning discs

Fingerprints should be carefully wiped from the surface of disc with a soft cloth. Unlike conventional records, compact discs have no grooves to collect dust and macroscopic dirt, so gently wiping them with a soft cloth should remove most particles. Wipe in a straight motion from the center to the edge.

Never use thinner benzene, record cleaner or anti static spray on a compact disc. Such chemicals can damage its plastic surface.



## Troubleshooting guide

Symptom	Cause	Solution
General No power	The car ignition is not on.  The fuse is blown.	If the power supply is properly connected to the car accessory switch the ignition key to " ACC ". Replace the fuse.
Disc Disc cannot be loaded.	Presence of CD disc inside the player.	Remove the disc in the player then put a new upward.
Disc cannot be read.	Inserting the disc in upside down.  Compact disc is extremely dirty or defective. Temperature inside the car is too high.	Insert the compact disc with the label facing upward. Clean the disc or try to play a new one. Cool off until the ambient temperature returns to normal.
No sound	Volume is in minimum. Wiring is not properly connected.	Adjust volume to a desired level. Check wiring connection.
The operation keys do not work.	The built-in microcomputer is not operating properly due to noise. Front panel is not properly fix into its place.	Press the RESET button.  Reinstall the front panel.
Sound skips.	The installation angle is more than 30 degrees. The disc is extremely dirty or defective.	Adjust the installation angle to less than 30 degrees. Clean the compact disc/try to play a new one.
The radio does not work, the radio station automatic selection does not work.	The antenna cable is not connected the signals are too weak.	Insert the antenna cable firmly select a station manually.

# Specification

<b>General</b>	
Power supply	12 V DC
Current consumption	max. 14 A
Maximum power output	50 W x 4 channels
Fuse	15 A
Dimensions (L x W x H)	192 x 178 x 50 mm
<b>FM stereo radio</b>	
Frequency range	87.5 - 108.0 MHz
Usable sensitivity	3 $\mu$ V
<b>MW Section</b>	
Frequency range	522 kHz-1620 kHz
Usable sensitivity	40 dB
<b>Disc player</b>	
System:	Compact disc audio system
Usable disc:	CD/DVD/DVD $\pm$ R/CD-R/-RW
Usable formats:	DVD-audio/DVD-video/SVCD/VCD/MP3/WMA/JPEG/Picture CD/ Photo CD/DivX/MPEG4
Frequency characteristics:	20 Hz - 20 kHz $\pm$ 5 dB
Signal to noise CD:	68 dB
Number of channels:	2 stereo
<b>Line out</b>	
Output:	CD max 2000 mV

**Specifications are subject to change without notice. Mass and dimension are approximate.**

**Уважаемый покупатель!**

Благодарим Вас за покупку нашего изделия. Для обеспечения безопасности рекомендуется тщательно изучить настоящее руководство перед подключением, эксплуатацией и/или регулировкой изделия, и сохраняйте руководство для использования в будущем.

**Содержание**

Содержание .....	28
Меры предосторожности .....	29
Установка/ подключение.....	30
Органы управления .....	34
Основные функции .....	38
Функции радио.....	40
Воспроизведение файлов с DVD/CD дисков .....	42
Обзор MP3.....	47
Настройки системы .....	48
Система защиты от кражи .....	51
Обращение с компакт-дисками .....	52
Чистка и уход.....	52
Руководство по устранению неисправностей .....	53
Технические характеристики.....	54

## Меры предосторожности

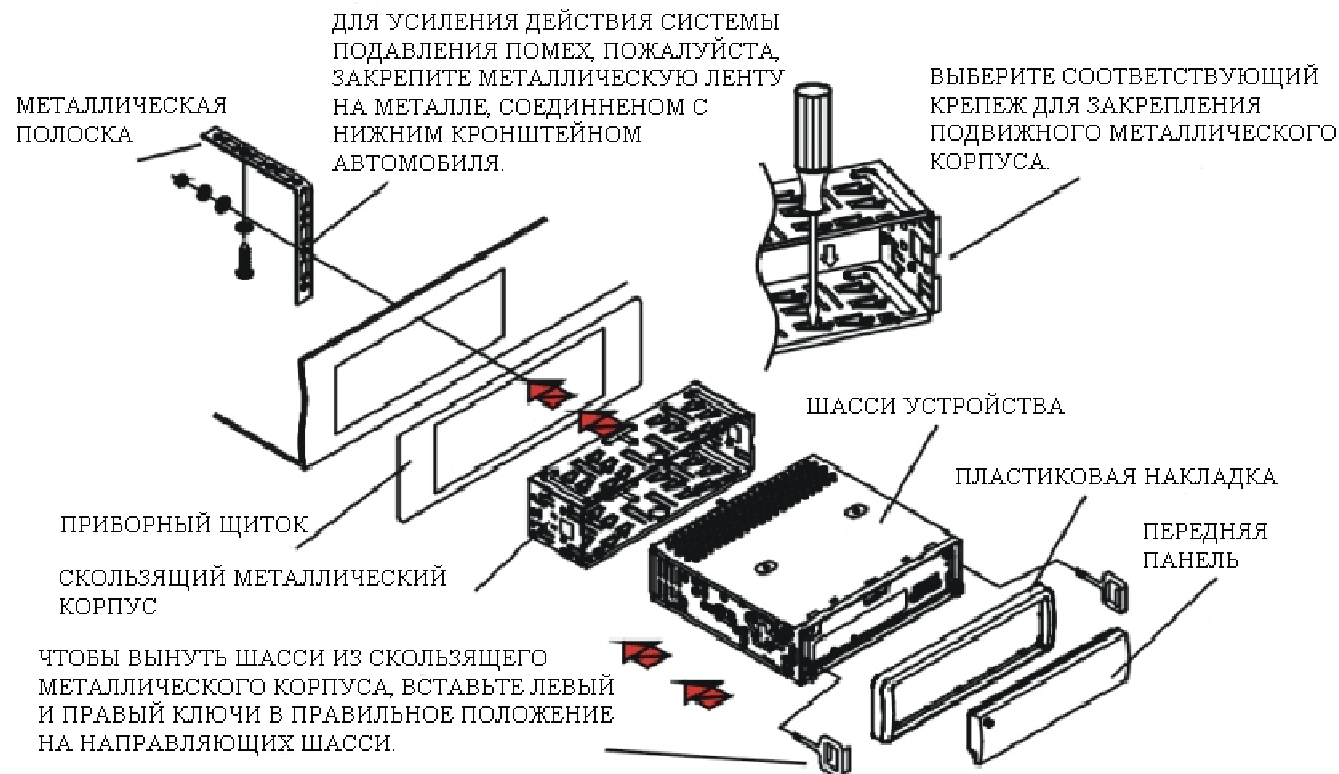
- Тщательно изучите настоящую инструкцию, чтобы ознакомиться с высококачественной аудиосистемой.
- При установке и подключении изделия отключите отрицательную клемму аккумулятора автомобиля.
- При замене предохранителя, убедитесь, что вы устанавливаете предохранитель с тем же номиналом. Используя предохранитель с повышенным значением тока, можно причинить значительные повреждения изделию.
- Не пытайтесь разбирать изделие. Лазерные лучи, исходящие из блока оптической головки считывания информации с компакт-диска, опасны для глаз.
- Убедитесь, что шпильки или другие посторонние предметы не попали внутрь изделия. Они могут вызвать сбои в работе или стать причиной опасности, такой как поражение электрическим током или лазерным лучом.
- Если вы ставите автомобиль на стоянку на длительное время в жаркое или холодное время года, подождите пока температура в автомобиле не станет нормальной, перед тем как включать изделие.
- НЕ открывайте крышки и не проводите ремонт самостоятельно. Обратитесь к дилеру или квалифицированному персоналу
- Убедитесь, вы отключаете источник питания и антенну, если вы не будете пользоваться системой в течение длительного времени или во время грозы.
- Убедитесь, что вы отключаете источник питания, если обнаружена неправильная работа системы, система издает необычные звуки, запах, выделяет дым или внутрь ее попала жидкость. Проведите квалифицированный технический осмотр системы.
- Прибор разработан так, чтобы отрицательный вывод аккумулятора был подключен к корпусу транспортного средства. Пожалуйста, убедитесь в этом перед установкой.
- Не позволяйте проводам динамиков касаться друг друга при включении прибора. В противном случае, может быть перегружен или выйти из строя усилитель питания.
- Не устанавливайте съемную панель перед подключением кабеля.

## Установка/ подключение

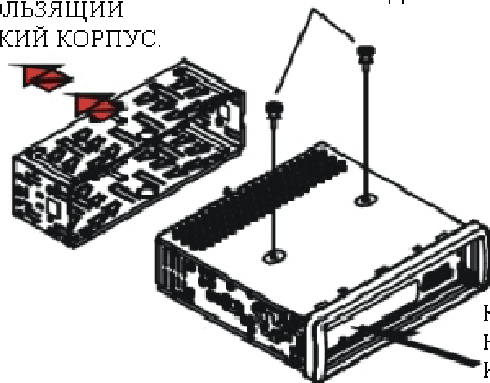
Сначала проведите электрические подключения, затем проверьте их правильность.

### Способ установки

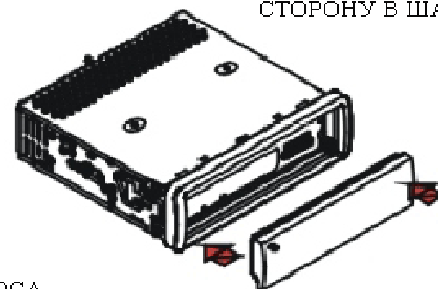
Шасси имеет корпус с металлическими направляющими. Пожалуйста, проведите соединение проводов источника питания, динамиков и антенны в соответствии с требованиями инструкции. Затем вставьте металлический корпус с направляющими в автомобиль в соответствии с приведенной схемой.



УДАЛИТЕ СКОЛЬЗЯЩИЙ  
МЕТАЛЛИЧЕСКИЙ КОРПУС.

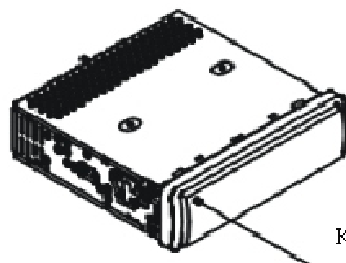


ВЫВЕРНИТЕ 2 ВИНТА ДЛЯ ЗАЩИТЫ  
ПЛЕЕРА ПЕРЕД ЕГО ЭКСПЛУАТАЦИЕЙ.



ДЛЯ УСТАНОВКИ ПЕРЕДНЕЙ ПАНЕЛИ  
ОБРАТНО В ШАССИ УСТРОЙСТВА,  
СНАЧАЛА ВСТАВЬТЕ ПРАВУЮ СТОРОНУ,  
ЕСЛИ ЗАДНЯЯ СТОРОНА УСТАНОВЛЕНА  
ПРАВИЛЬНО, ЗАТЕМ ВТОЛКНИТЕ ЛЕВУЮ  
СТОРОНУ В ШАССИ.

КНОПКА СБРОСА  
НАЖМИТЕ КНОПКУ СБРОСА, ЧТОБЫ ВОССТАНОВИТЬ  
ИЗМЕННЕННОЕ ПРОГРАММИРОВАНИЕ, ЕСЛИ ИНФОРМАЦИЯ НА  
ЭКРАНЕ ПРЕДСТАВЛЯЕТСЯ НЕНАДЛЕЖАЩИМ ОБРАЗОМ И  
НЕКОТОРЫЕ КНОПКИ НЕРАБОТОСПОСОБНЫ.



КНОПКА ОТКРЫВАНИЯ

ЧТОБЫ ВСТАВИТЬ ДИСК В ОТСЕК ИЛИ ВЫНУТЬ ЕГО, ИЛИ СНЯТЬ ПЕРЕДНЮЮ  
ПАНЕЛЬ С ШАССИ, НАЖМИТЕ КНОПКУ ОТКРЫВАНИЯ ДЛЯ СБРОСА ПЕРЕДНЕЙ  
ПАНЕЛИ.

## Установка съемной панели

1. Держите панель так, чтобы ее лицевая сторона была направлена на Вас, и установите правую нижнюю часть (А) в кронштейн (В) (рис. 1).
2. Нажмите на панель вправо (рис. 2), установите левую нижнюю часть магнитолы.
2. Поднимите панель. Нажмите на верхнюю часть панели, чтобы она защелкнулась (рис. 3).

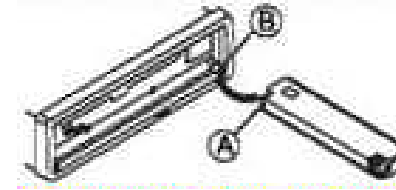


Рис. 1



Рис. 2



Рис. 3

## Снятие съемной панели

1. Нажмите на кнопку REL на панели. Панель опустится вниз.
2. Сдвиньте панель в правую сторону и вытяните ее на себя.

### Внимание:

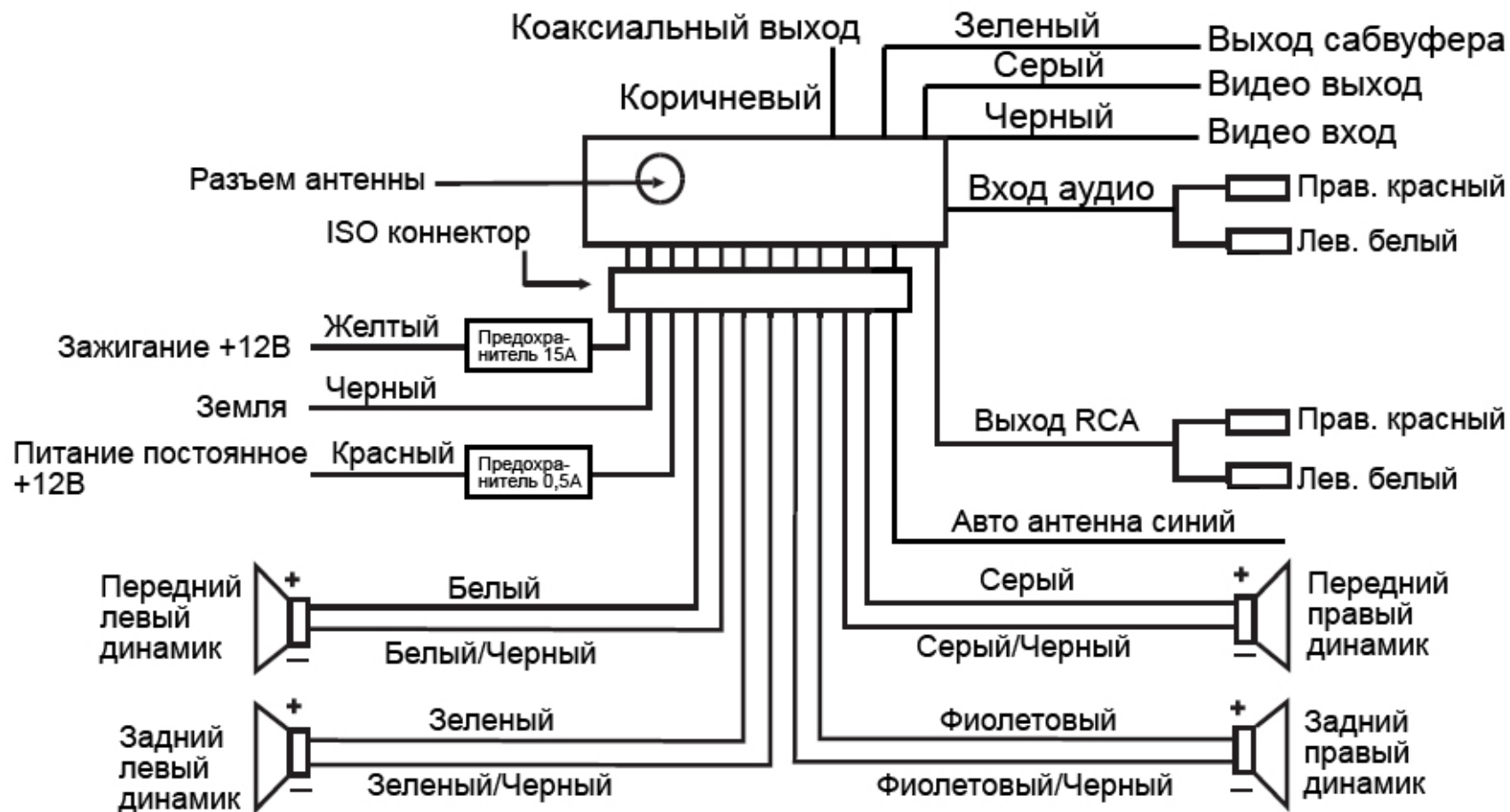
Панель может повредиться из-за внешних факторов: тряски, ударов. После снятия ее с устройства держите панель в защитном футляре и старайтесь не ронять и не наносить физических повреждений. Очень важным элементом является коннектор на задней части панели. Не нажимайте на нее ногтями, ручками, отвертками.

### Примечание:

Если панель загрязнилась или запылилась, протрите ее сухой чистой тканью. Для чистки разъема в задней части панели используйте тампон, смоченный техническим спиртом.



## Схема подключения

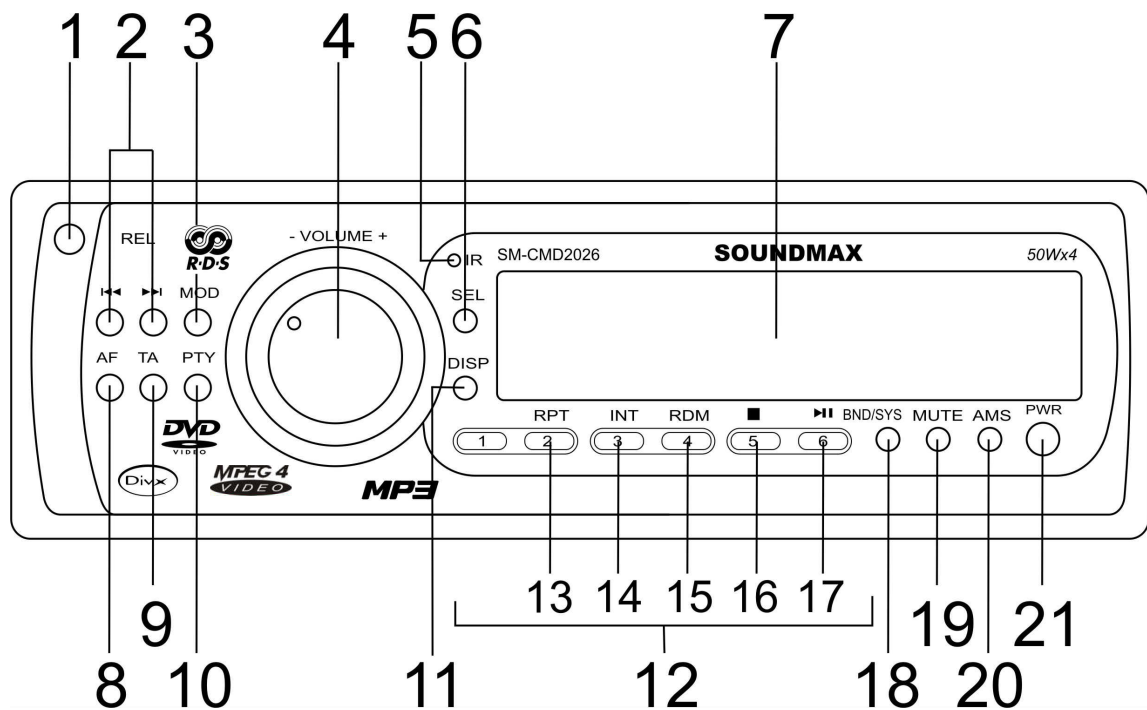


### Примечания:

- Независимо от вида динамиков, следует использовать динамики с сопротивлением, равным 4 Ом для уменьшения искажений при повышенной громкости.
- Запрещается соединять провода авто антенны и заземления между собой.

# Органы управления

## Передняя панель



**1. КНОПКА REL**

Нажмите ее, чтобы откинуть переднюю панель и иметь возможность вставить диск в специальный слот или нажать на кнопку EJECT для извлечения диска.

**2. КНОПКИ «/»**

Во время воспроизведения нажмите на кнопку «/», чтобы перейти к предыдущему/ следующему треку. Нажмите и удерживайте в течение 2 секунд кнопку «/», чтобы начать ускоренное воспроизведение треков.

В режиме RADIO (Радио) нажмите на кнопку «/», чтобы вручную настроить радио станции. Нажмите и удерживайте в течение 2 секунд кнопку «/», чтобы начать автоматический поиск радио станций.

**3. КНОПКА MOD**

Нажимайте на кнопку MOD, чтобы выбрать режим: RADIO => AUX => DISC.

#### 4. РЕГУЛЯТОР ГРОМКОСТИ VOLUME

Вращайте регулятор громкости по часовой стрелке, чтобы увеличить уровень громкости. Вращайте против часовой стрелки, чтобы понизить уровень громкости.

#### 5. ИК ПОРТ

#### 6. КНОПКА SEL

Нажмите на кнопку SEL, чтобы выбрать режим: VOL => BAS => TRE => BAL => FAD => DSP => LOUD.

Вращайте регулятор громкости, чтобы отрегулировать каждую настройку.

Нажмите и удерживайте в течение 2 секунд кнопку SEL, чтобы войти в режим эквалайзера.

Вращайте регулятор громкости, чтобы настроить эквалайзер.

#### 7. ЖИДКОКРИСТАЛЛИЧЕСКИЙ ДИСПЛЕЙ

#### 8. КНОПКА AF

Нажмите на кнопку, чтобы активировать/ деактивировать функцию AF.

#### 9. КНОПКА TA

Нажмите на кнопку, чтобы активировать/ деактивировать функцию TA.

#### 10. КНОПКА PTY

Нажмите на кнопку, чтобы активировать/ деактивировать функцию PTY.

#### 11. КНОПКА DISP

Нажмите на кнопку, чтобы отобразить на дисплее время.

Нажмите и удерживайте в течение 2 секунд кнопку DISP, чтобы настроить время.

#### 12. КНОПКИ ПРЕДВАРИТЕЛЬНО УСТАНОВЛЕННЫХ СТАНЦИЙ (1-6)

#### 13. Кнопка RPT (повтор)

#### 14. Кнопка INT (воспроизведение первых 10 секунд каждого трека)

#### 15. Кнопка RDM (случайное воспроизведение)

#### 16. Кнопка STOP (остановка воспроизведения)

#### 17. Кнопка PLAY/PAUSE (воспроизведение/пауза)

#### 18. Кнопка BND/SYS

В режиме RADIO (Радио) нажимайте на эту кнопку, чтобы выбрать диапазон.

В режиме CD нажимайте на эту кнопку, чтобы отобразить название трека и исполнителя на дисплее.

#### 19. Кнопка MUTE

Нажмите на кнопку MUTE, чтобы выключить звук.

## 20. Кнопка AMS

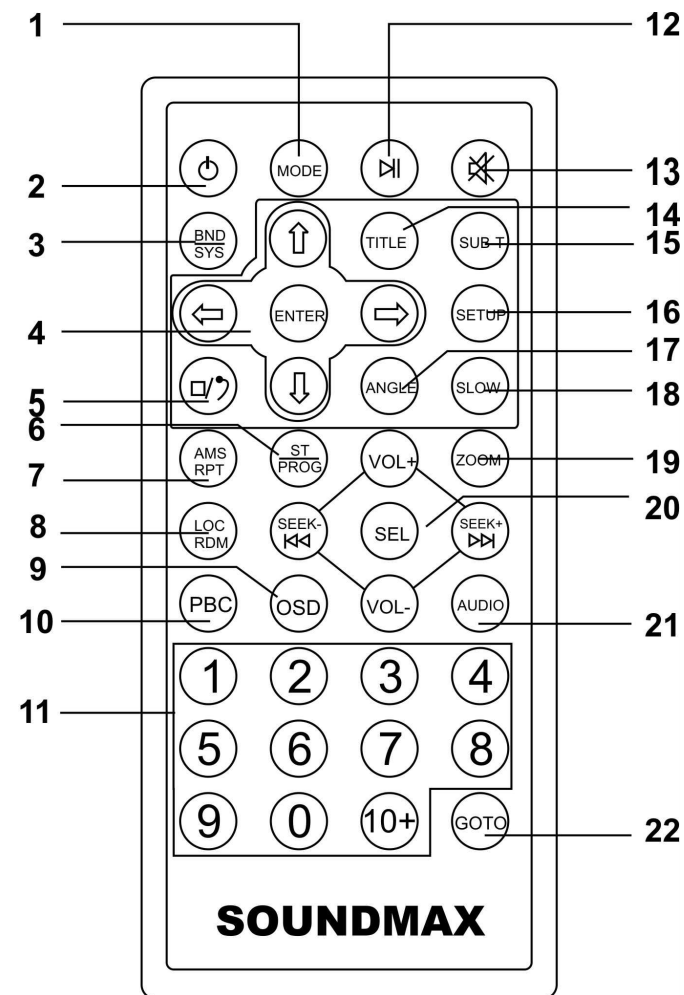
В режиме RADIO (Радио) нажмите на эту кнопку для сканирования предварительно установленных станций 1 – 6 в течение 5 секунд каждую. Нажмите и удерживайте в течение 2 секунд, чтобы включить функцию авто сохранения станций.

## 21. КНОПКА PWR

Нажмите на эту кнопку, чтобы включить устройство. Нажмите снова для выключения его.

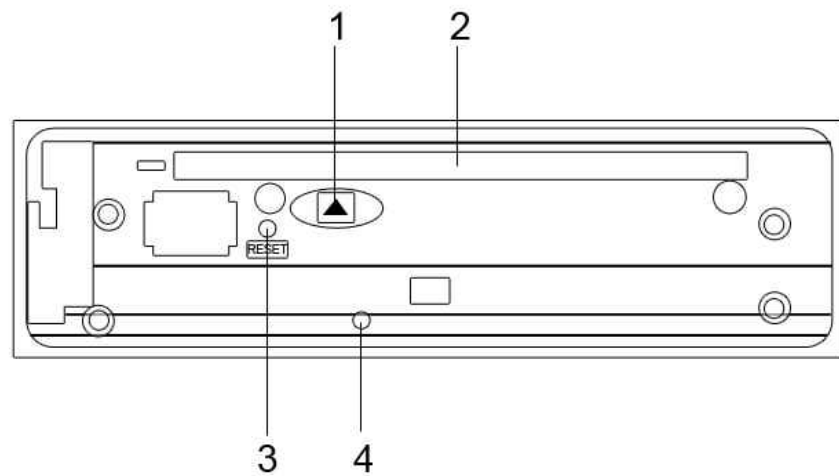
## Пульт дистанционного управления

1. Кнопка MODE
2. Кнопка PWR
3. Кнопка BND/SYS
4. Кнопки курсора ◀/▶/▲/▼ / Кнопка ENTER
5. Кнопка STOP/REVERCE
6. Кнопка ST/PROG
7. Кнопка AMS/RPT
8. Кнопка LOC/RDM
9. Кнопка OSD
10. Кнопка PBC
11. Кнопки с цифрами
12. Кнопка PLAY/PAUSE
13. Кнопка MUTE
14. Кнопка TITLE
15. Кнопка SUB-T
16. Кнопка SETUP
17. Кнопка ANGLE
18. Кнопка SLOW
19. Кнопка ZOOM
20. Кнопки SEL / VOL+/- / SEEK- / SEEK+
21. Кнопка AUDIO
22. Кнопка GOTO



## Внутренняя панель

Нажмите на кнопку REL, чтобы откинуть переднюю панель.



1. Кнопка EJECT
2. Слот для дисков
3. Кнопка RESET
4. LED индикатор

## Основные функции

### **Кнопка RESET (сброс)**

Нажмите на панели на кнопку REL. Панель откроется. Нажмите на кнопку сброса RESET, расположенную за передней панели. Эта мера необходима в следующих ситуациях: исходная установка устройства после подключения, никакие кнопки не действуют, символы ошибок появляются на дисплее.

### **Кнопка включения**

Нажмите на кнопку PWR, чтобы включить устройство. Нажмите еще раз, чтобы выключить питание.

**Внимание:** Когда Вы выключаете систему или зажигание автомобиля, громкость звука и радио настройки будут сохранена в памяти устройства, и при включении установки вернуться к сохраненным значениям.

### **Регулировка уровня громкости**

Вращайте регулятор громкости VOLUME по часовой стрелке, чтобы увеличить уровень громкости.

Вращайте против часовой стрелки, чтобы понизить уровень громкости.

ИЛИ нажимайте на кнопку VOL+/- на пульте ДУ, чтобы отрегулировать уровень громкости.

### **Регулировка аудио настроек**

Нажмите на кнопку SEL, чтобы выбрать режим: VOL (громкость) => BAS (низкие частоты) => TRE (высокие частоты) => BAL (баланс левые/ правые динамики) => FAD (баланс задние/ передние динамики) => DSP (эквалайзер) => LOUD (тонкомпенсация).

Вращайте регулятор громкости, чтобы отрегулировать каждую настройку.

**ВНИМАНИЕ:** Настройки BASS и TREBLE аннулируют любую настройку эквалайзера.

Каждая настройка отображается на дисплее в течение 5 секунд. Если в течение этих 5 секунд ни одна кнопка не была нажата, дисплей вернется в обычный режим.

### **Выбор режима**

Нажимайте на кнопку MODE, чтобы выбрать режим работы устройства: RADIO (радио) => AUX => DISC (когда диск установлен в магнитоле).

### **Выключение звука**

Нажмите на кнопку MUTE, чтобы выключить звук. Нажмите на кнопку еще раз, чтобы включить звук.

### **Отображение и настройка времени**

Для отображения времени на дисплее нажмите на кнопку DISP.

Для установки времени нажмите на кнопку DISP и удерживайте в течение 2 секунд, часы начнут мигать.

Вращайте регулятор громкости, чтобы настроить часы.

Нажмите на кнопку SEL, чтобы сохранить. Минуты начнут мигать. Вращайте регулятор громкости, чтобы настроить минуты.

Нажмите на кнопку DISP, чтобы сохранить время.

## Функции радио

**Внимание:** Сервис RDS (Система радио данных) доступен не во всех регионах. Имейте в виду, что если услуга RDS не доступна в Вашем регионе, то данная функция не будет работать.

### **Выбор диапазона**

Нажимайте на кнопку BND/SYS, чтобы выбрать диапазон: FM1, FM2, FM3, AM1, AM2.

### **Ручной/ автоматический поиск радиостанций**

- Ручной поиск: Нажимайте на кнопку «/», чтобы вручную увеличить или уменьшить частоту.
- Автоматический поиск: Нажмите и удерживайте кнопку «/», чтобы начать автоматический поиск. Поиск прекратится при приеме первой станции с сильным сигналом, при этом начнется ее воспроизведение. Нажмите еще раз, чтобы найти следующую станцию.

### **Сохранение и вызов радио станций**

Вы можете хранить и воспроизводить 6 радио станций в каждом из 5 диапазонов.

- Чтобы сохранить станцию:
- Выберите диапазон (если нужно).
- Выберите станцию.
- Нажмите и удерживайте в течение двух секунд кнопку с номером 1~6, под которым Вы бы хотели сохранить эту станцию.
- Чтобы вызвать станцию:
- Выберите диапазон (если нужно).
- Нажмите на кнопку с номером нужной сохраненной станции 1~6.

### **Функция автоматического сохранения станций в памяти**

Нажмите и удерживайте кнопку AMS в течение 2 секунд, 6 самых сильных доступных станций будут автоматически сохранены в памяти кнопок 1~6. Чтобы остановить автоматическое сохранение, снова нажмите на кнопку.



### **Функция автоматического предпрослушивания станций**

Нажмите на кнопку AMS, чтобы прослушать все сохраненные в текущем диапазоне станции в течение 10 секунд. Во время прослушивания номер каждой станции будет мигать на дисплее. Чтобы остановить прослушивание, снова нажмите на кнопку.

### **Режим Stereo/ Моно**

Нажимайте на кнопку ST/PROG на пульте ДУ, чтобы выбрать режим Stereo или Mono. В режиме MONO прием сигнала с дальних станций будет лучше.

### **Режим Local/ Distant**

Нажимайте на кнопку LOC/RDM на пульте ДУ, чтобы выбрать режим Local или Distance (DX) (режим местной или удаленной чувствительности тюнера).

### **Функция TA (Программы о дорожном движении)**

При нажатии на кнопку TA, режим TA включается (ON) или выключается (OFF).

При включенном режиме, когда станция начнет трансляцию программы о дорожном движении, устройство автоматически переключится на эту станцию. Если устройство находится в режиме воспроизведения дисков, то автоматически переключится на режим радио.

### **Функция AF (Альтернативные частоты)**

Нажмите на кнопку AF, режим AF включается (ON) или выключается (OFF). На дисплее появится надпись AF.

В активном режиме AF радио постоянно проверяет силу сигнала альтернативных частот, на которых может транслироваться RDS программа. Если сигнал слабый или исчезает, тюнер будет автоматически искать другую частоту с этой программой.

По умолчанию режим ON (вкл.)

### **ФункцияPTY (Тип программы)**

1. Нажимайте на кнопку PTY, чтобы включить функцию PTY.
2. Нажмите и удерживайте течение 3 секунд кнопку с цифрой «3», на дисплее появится надпись «PTY M». Через 5 секунд начнется поиск программы.
3. Нажмите на кнопку PTY еще раз, чтобы выключить функцию PTY.

## Воспроизведение файлов с DVD/CD дисков

### **Используемая терминология**

#### **РВС (управление воспроизведением)**

Управление воспроизведением – это меню, записанное на видео компакт-дисках. Использование экранного меню видео компакт-диска с РВС, позволяет Вам пользоваться простыми интерактивными программами с функциями поиска. Вы также можете просматривать неподвижные изображения с высоким разрешением.

#### **Заголовок**

Большой объем диска позволяет записывать несколько фильмов или роликов. Например, если 1 диск содержит 3 разных фильма (ролика), они подразделяются как Заголовок 1, Заголовок 2 и Заголовок 3. Это позволяет Вам пользоваться удобными функциями поиска.

#### **Глава**

Любой заголовок может состоять из отдельных блоков, каждый из которых можно просматривать отдельно. Такой блок называется главой. В каждой главе должно содержаться не меньше одного трека.

#### **Трек**

Трек – это дорожка, музыкальная или видео композиция. Например, песня, записанная на диске, является треком.

### **Диски для воспроизведения**

Это устройство может воспроизводить разновидности цифровых дисков: CD/DVD/DVD±R/CD-R/-RW. Совместимо с форматами: DVD-audio/DVD-video/SVCD/VCD/MP3/WMA/JPEG/Picture CD/ Photo CD/ DivX/MPEG4/MP4.

Поддерживаются следующие типы файлов:

Аудио файлы: MP3 (\*.mp3)

WMA (\*.wma)

Видео файлы: MP4 (\*.avi, DIVX3.11/4.0/5.0/6.0 and XVID)

MPEG 2(\*.vob)

MPEG 1(\*.dat)

Файлы с изображениями: JPEG (\*.jpg)

ISO 9660 или ISO 9660 + формат Joliet - максимум 30 знаков.

Максимальное число треков – 448.

Максимальное число вложений - 8 уровней.

Максимальное число альбомов – 99.

Максимальная длина каждого трека - 99 минут 59 секунд.

Поддерживаемая частота дискретизации для MP3 диска: от 8 кГц до 48 кГц (предпочтительно 44,1 кГц).

Поддерживаемые скорости цифрового потока MP3 диска: 32 - 320 Кб/сек (предпочтительно 128 Кб/сек).

НЕ ПОДДЕРЖИВАЮТСЯ следующие форматы: \*.ACC, \*.DLF, \*.M3U, \*.PLS, MP3 PRO, файлы с DRM.

Диски с открытой сессией записи НЕ ПОДДЕРЖИВАЮТСЯ.

### **Загрузка диска**

- Нажмите на кнопку REL, чтобы открыть панель. Установите диск в слот маркированной стороной вверх.
- Нажмите на кнопку EJECT на внутренней панели, чтобы вынуть диск.

### **Воспроизведение/ Пауза**

- Нажмите на кнопку PLAY/ PAUSE, чтобы начать воспроизведение. Чтобы обеспечить высокое качество воспроизведения, дождитесь, пока плеер закончит читать диск, а затем начинайте воспроизведение.
- Во время воспроизведения нажмите на кнопку PLAY/PAUSE, режим паузы активируется. Нажмите на кнопку PLAY/PAUSE еще раз, чтобы продолжить воспроизведение.

### **Остановка воспроизведения**

Для остановки воспроизведения нажмите на кнопку STOP. Нажмите на PLAY/ PAUSE, чтобы начать воспроизведение.

### **Использование кнопок с цифрами**

Для ввода цифровых значений используйте кнопки с цифрами.

Для ввода номера от 10 до 19 нажмите на 10+ 1 раз, затем нажмите на кнопку с цифрой – второй цифрой в номере.

Для ввода номера от 20 до 29 дважды нажмите на 10+ 1, затем нажмите на кнопку с цифрой – второй цифрой в номере.

**Переход к предыдущему или следующему треку**

Во время воспроизведения нажмите на кнопку «/», чтобы начать воспроизведение предыдущего/ следующего трека.

**Ускоренное воспроизведение**

Во время воспроизведения нажмите и удерживайте кнопку «/», чтобы начать ускоренное воспроизведение назад или вперед. Отпустите кнопку, когда нужный фрагмент будет найден.

**Ускоренное воспроизведение**

Во время воспроизведения нажимайте на кнопку SLOW на пульте ДУ, чтобы выбрать скорость замедленного воспроизведения: 1/2, 1/3, 1/4, 1/5, 1/6, 1/7, Нормальное воспроизведение.

**Повтор воспроизведения**

Во время воспроизведения трека нажмите на кнопку RPT, чтобы начать его повторное воспроизведение. Нажмите еще раз, чтобы отменить функцию повтора.

**Случайное воспроизведение**

Во время воспроизведения трека нажмите на кнопку RDM, чтобы начать случайное воспроизведение всех треков. Нажмите еще раз, чтобы отменить функцию.

**Функция Intro**

Вы можете последовательно воспроизводить начало каждого трека в течение 10 секунд.

Во время воспроизведения треков нажмите на кнопку INT, чтобы начать воспроизведение всех треков. Нажмите еще раз, чтобы отменить функцию.

**Изменение угла просмотра (только для DVD дисков)**

Если DVD-диск поддерживает воспроизведение с различных точек съемки, нажмите на кнопку ANGLE на пульте ДУ для воспроизведения изображений с различных точек съемки. Если диск не поддерживает многоугольное воспроизведение, эта функция не будет работать.

**Выбор языка аудио (только для DVD дисков)**

Если DVD-диск поддерживает несколько языков аудио, нажимайте на кнопку AUDIO на пульте ДУ, чтобы выбрать язык аудио.

**Выбор канала (для CD/VCD дисков)**

Нажимайте на кнопку AUDIO, чтобы выбрать канал: Left channel (левый канал) => Right channel (правый канал) => Stereo (стерео).

**Выбор языка субтитров (только для DVD дисков)**

Если DVD-диск поддерживает несколько языков субтитров, нажимайте на кнопку SUB-T на пульте ДУ, чтобы выбрать язык.

**Изменение масштаба изображения (для DVD/VCD дисков)**

Нажмите на кнопку ZOOM на пульте ДУ. Изображение при каждом нажатии будет увеличиваться в порядке: X2 => X3 => X4 => X1/2 => X1/3 => X1/4 => Нормально. Нажимайте на кнопки курсора, чтобы перемещаться по изображению.

**Отображение информации на экране**

Нажимайте на кнопку OSD на пульте ДУ, чтобы отобразить на экране информацию о текущем треке/главе и времени воспроизведения.

**Работа с меню заголовков DVD диска**

- Нажмите на кнопку TITLE на пульте ДУ, чтобы отобразить меню заголовков на дисплее.
- С помощью кнопок ▲/▼ на пульте ДУ Вы можете выбрать нужный заголовок. ИЛИ введите номер заголовка, который хотите просмотреть. Воспроизведение начнется автоматически.
- Нажмите на кнопку ENTER или на PLAY/PAUSE, чтобы начать воспроизведение.

**PBC (управление воспроизведением) (только для VCD дисков)**

Если вы вставляете VCD с функцией PBC, автоматически начинается воспроизведение с начала 1-ого трека.

1. Нажмите на кнопку PBC на пульте ДУ, чтобы во время воспроизведения активизировать интерактивное меню на экране.
2. Если меню состоит из списка заголовков, Вы можете непосредственно выбирать нужные при помощи кнопок с цифрами или кнопок ▲/▼ на пульте ДУ.
3. При вводе номера воспроизведение начнется автоматически, при выборе заголовка нажмите на кнопку PLAY/PAUSE, чтобы начать его воспроизведение.
4. Снова нажмите PBC, чтобы выйти из меню.

### **Функция поиска**

Нажмите на кнопку GOTO на пульте ДУ, чтобы войти в меню поиска. При помощи кнопок с цифрами и кнопок курсора введите номера искомого трека или время воспроизведения, с которого хотите начать воспроизведение.

Нажмите на ENTER, чтобы начать воспроизведение выбранной главы.

### **Программирование списка воспроизведения**

Во время воспроизведения нажмите на ST/PROG на пульте ДУ, чтобы открыть меню программирования воспроизведения. При помощи кнопок курсора и кнопок с цифрами задайте последовательность треков для воспроизведения.

### **Операции с аудио/ видео файлами/ изображениями**

Установите диск со смешанными файлами (аудио, видео файлами, изображениями). Во время воспроизведения аудио/ видео файла или изображения, на экране появятся категория, дерево папок, список треков в одной из них, название текущего трека. Текущий пункт будет подсвечен.

#### **Выбор категории**

1. При помощи кнопок ◀/ ▶ выберите:



AUDIO



PICTURE



VIDEO.

2. Нажмите на ENTER, чтобы подтвердить выбор.

#### **Выбор папки**

1. При помощи кнопок ◀/ ▶ выберите список папок и при помощи кнопок ▲/ ▼ выберите нужную папку.

2. Нажмите на кнопку ENTER, чтобы подтвердить выбор.

#### **Выбор файла**

1. При помощи кнопок ◀/ ▶ выберите список файлов, затем при помощи кнопок ▲/ ▼ выберите нужный файл.

2. Нажмите на кнопку ENTER, чтобы начать воспроизведение.

3. Нажмите на кнопку STOP, чтобы вернуться к списку.

Для файлов с изображениями нажмите на кнопку PLAY/ PAUSE.

# Обзор MP3

## **Замечания по MP3**

- MP3 это краткое обозначение аудио слоя MPEG 3 и относится к стандарту технологии сжатия звука.
- Данное изделие позволяет воспроизводить файлы MP3 на дисках CD-ROM, CD-R или CD-RW.
- Изделие может считывать файлы MP3, записанные в формате, соответствующем ISO 9660. Однако оно не поддерживает данные MP3, записанные методом пакетной записи.
- Изделие не может считывать файлы MP3, которые имеют расширение файла, отличающееся от ".mp3".
- Если вы воспроизводите не MP3 файл, который имеет расширение ".mp3", вы можете слышать некоторые шумы.
- В данном руководстве мы рассматриваем файлы, называемые "файлами MP3" и "папкой", а в технологии PC "дорожкой" и "альбомом" соответственно.
- Максимальное количество уровней директории равно 8, включая корневую директорию. Максимальное количество файлов и папок на диске 256.
- Изделие может не воспроизводить дорожки в последовательном порядке.
- Изделие воспроизводит только аудио треки, если диск содержит как аудио треки, так и файлы MP3.
- При воспроизведении диска 8 килобит или VBR, истекшее время воспроизведения в окне дисплея будет неправильным, а также ознакомительное воспроизведение может не действовать надлежащим образом. VBR: Переменная скорость передачи битов.

## **Замечание по созданию собственных CD-R или CD-RW, содержащих файлы MP3**

- Для получения высокого качества звука мы рекомендуем преобразовывать файлы MP3 с эталонной частотой 44,1 кГц и фиксированным битрейтом 128 кбит/сек. НЕ сохраняйте более 256 файлов MP3 на диске.
- Для формата, совместимого с ISO 9660, максимально допустимая глубина вложенных папок равняется 8, включая корневую директорию (папку).
- При использовании диска CD-R воспроизведение возможно только для дисков, которые были закончены. Убедитесь, что при записи MP3 CD-R или CD-RW были отформатированы как диски данных, а НЕ как аудио диски.
- Вы не должны записывать не-MP3 файлы или ненужные папки вместе с файлами MP3 на диск, в противном случае потребуется много времени, пока изделие начнет воспроизводить файлы MP3.
- На некоторых CD-R или CD-RW данные могут не быть записаны надлежащим образом в зависимости от качества их производства. В этом случае данные могут быть воспроизведены не надлежащим образом. Рекомендуются диски CD-R или CD-RW высокого качества.
- Имя альбома или композиции может содержать до 16 символов. Необходима версия 1.x ID3TAG.
- Помните, что изделие может не воспроизводить треки в том порядке, в котором они записаны на диске.

## Настройки системы

1. Нажмите на кнопку SETUP на пульте ДУ, чтобы открыть меню настройки системы.
2. Используйте кнопки ◀/▶, чтобы выбрать нужное меню из списка: Общие настройки, Настройка аудио, Настройка видео, Предпочтения, Установка пароля.
3. Нажмите на ▼, чтобы войти в меню.
4. Используйте кнопки ▲/▼, чтобы выбрать нужную настройку.
5. Нажмите на кнопку ▶, чтобы открыть список установок выбранной настройки.
6. Используйте кнопки ▲/▼, чтобы выбрать нужную установку, затем нажмите на ENTER, чтобы подтвердить.

### Системная установка

#### ТВ система

**Авто:** система ТВ автоматически переключается в соответствии с системой, в которой записан диск.

**NTSC:** эта система используется в США, ТАЙВАНЕ, ЯПОНИИ и пр.

**PAL:** эта система используется в КИТАЕ, ЕВРОПЕ, ГОНКОНГЕ и пр.

#### Защита экрана

При включенной функции воспроизведение диска будет начинаться сразу после его установки в слот.

#### ТВ режим

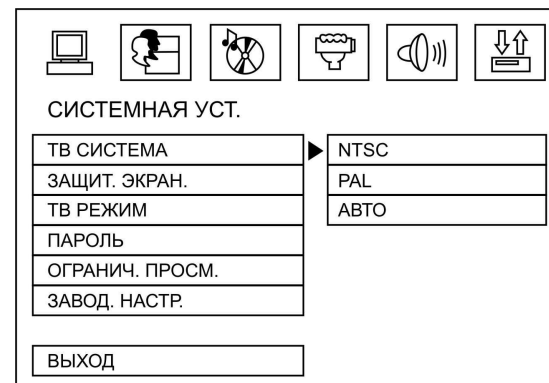
**4:3 PS:** Когда домашний кинотеатр подключен к обычному телевизору, широкоэкранный образ воспроизводится на всем экране, но часть его обрезается.

**4:3 LB:** Когда домашний кинотеатр подключен к обычному телевизору, широкоэкранный образ воспроизводится так, что сверху и снизу появляются черные полосы.

**16:9:** Используйте этот пункт, если домашний кинотеатр подключен к широкоэкранному телевизору.

#### Пароль

Здесь Вы можете изменить пароль. Введите Ваш старый пароль или пароль по умолчанию – 0000. Затем введите новый пароль. Введите новый пароль еще раз. Нажмите на ENTER, чтобы сохранить новый пароль.





## Ограничение просмотра

Эта функция предназначена для контроля родителями за содержанием дисков при их воспроизведении и защищает Ваших детей от сцен насилия и эротики. Диск, уровень которого выше, чем установленный с помощью данной функции, не будет воспроизведен.

Для изменения уровня ограничения введите пароль.

## Заводские настройки

Функция переустанавливает настройки устройства на фабричные.

## Установка языка

### Язык, Язык аудио, Язык субтитров

Эти параметры могут быть изначально установлены в соответствии с Вашими предпочтениями. Если установленные Вами параметры поддерживаются содержанием диска, то воспроизведение будет происходить с учетом Ваших настроек. Иначе, будут использоваться установки диска, заданные по умолчанию. При воспроизведении эти установки могут быть изменены соответствующими нажатиями кнопок AUDIO и SUB-T на пульте ДУ.

### Язык меню диска

Выберите язык меню настройки системы.

### DivX код

Выберите этот пункт, чтобы отобразить на экране код DivX.



## Аудио установка

### Выход аудио

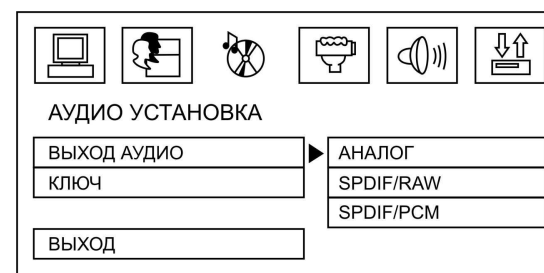
**SPDIF выкл:** отсутствует цифровой выходной сигнал (оптический или коаксиальный выход отключен), только аналоговый аудио выход.

**SPDIF/RAW:** цифровой выходной сигнал в оригинальном формате, записанном на диске.

**SPDIF/PCM:** цифровой выходной сигнал в декодированном PCM формате.

### Ключ

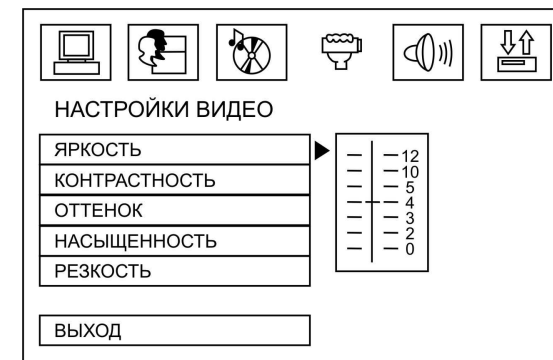
Настройте уровень звучания при помощи кнопок ▲/▼.



## Настройки видео

### **Яркость, контрастность, Оттенок, Насыщенность, Резкость**

Вы можете установить яркость, контрастность, оттенок, насыщенность, резкость в соответствии с вашими предпочтениями.



## Цифровая установка

### **Режим**

Выберите выходной режим: **Линейный выход, Функция RF.**

### **Динамический диапазон**

При просмотре ночью программ с высоким динамичным диапазоном звука, выбор этого режима позволит Вам уменьшить звук до очень низкого уровня и в то же время сохранить качество и детали звукового сопровождения. Это позволит Вам не беспокоить остальных членов семьи и сохранить высокое качество звука.

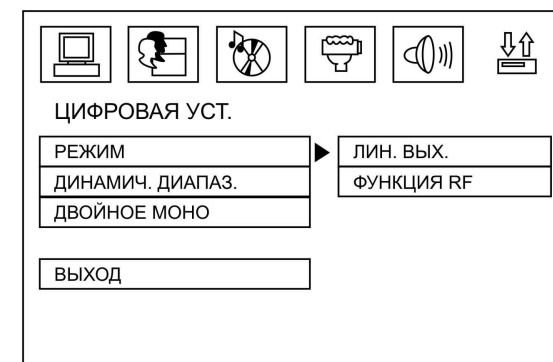
### **Двойное моно**

**Сtereo:** Стерефонический выходной сигнал.

**Моно левый:** Выходной сигнал левого канала.

**Моно правый:** Выходной сигнал правого канала.

**Смешанное моно:** Усредненный выходной сигнал левого и правого каналов.



# Система защиты от кражи

Данное изделие снабжено сдвигаемой съемной и маскирующей панелью. Панель можно снять и взять с собой, что помогает избежать воровства.

## Подсоединение съемной панели

### Снятие панели

1. Нажмите и удерживайте кнопку PWR, чтобы выключить питание устройства.
2. Нажмите на кнопку REL на панели. Панель опустится вниз.
3. Сдвиньте панель вправо и вытяните ее на себя.
4. Поместите панель в портфель и возьмите ее с собой, когда вы покидаете автомобиль.

### Подсоединение съемной панели

1. Держите панель так, чтобы ее лицевая сторона была направлена на Вас, и установите правую нижнюю часть в кронштейн.
2. Нажмите на панель вправо, установите левую нижнюю часть магнитолы.
3. Поднимите панель. Нажмите на верхнюю часть панели, чтобы она защелкнулась (рис. 3).

### Съем изделия

1. Снимите панель.
2. Вставьте два Т-образных ключа в отверстие лицевой стороны, пока не услышите щелчок.
3. Выньте изделие (рис. 1).

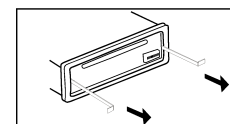
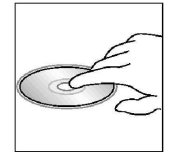
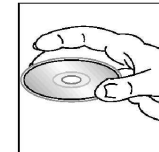


Рис. 1

## Обращение с компакт-дисками

- Грязные, поцарапанные или погнутые диски могут вызвать искажение звука или шумы
- Держите диск только за края (как показано на рисунке). Чтобы обеспечить чистоту, не прикасайтесь к его поверхности.
- Диски должны храниться в их чехлах после использования, чтобы не поцарапать их поверхность.
- Не подвергайте диски действию прямого солнечного света, повышенной влажности, повышенным температурам или действию пыли.
- Продолжительное влияние предельных температур может изогнуть диск (например, пребывание дисков в автомобиле в летнее время).
- Не царапайте и не пишите что-либо на любой стороне диска. Острые пишущие инструменты или чернила, используемые в них, могут повредить поверхность диска.
- НЕ ПРИКАСАЙТЕСЬ к стороне, не имеющей маркировки.
- НЕ ПРИКРЕПЛЯЙТЕ какую-либо печать, этикетку или лист предохранения данных к любой стороне диска.
- Данное изделие не может воспроизводить CD размером 3 дюйма (8 см).
- Никогда не вставляйте CD размером 3 дюйма, установленный в адаптер, или CD неправильной формы. Изделие не сможет выбросить его, что приведет к сбою.



## Чистка и уход

### Чистка корпуса

Протирайте мягкой тканью. Если корпус очень загрязнен (не мочите его), используйте ткань, слегка смоченную мыльным раствором, и затем вытрите его сухой тканью.

### Чистка дисков

а) Отпечатки пальцев должны быть тщательно стерты с поверхности диска мягкой тканью. В отличие от обычных пластинок, компакт-диски не имеют канавок для сбора пыли и микроскопических частиц грязи, поэтому осторожно вытирайте их мягкой тканью, чтобы убрать частицы грязи. Вытирайте прямолинейным движением от центра к краю.

б) Никогда не используйте растворитель, бензин, очиститель пластинок или антистатический аэрозоль для чистки дисков. Такие химические вещества могут повредить его пластиковые поверхности.



## Руководство по устранению неисправностей

Неисправность	Причина	Решение
Нет питания	Зажигание машины не включено. Сгорел предохранитель.	Если источник питания подключен надлежащим образом к выключателю машины, установите ключ зажигания в положение «ACC». Замените предохранитель.
Невозможно загрузить диск	В плеер установлен CD диск.	Удалите диск из плеера, затем установите новый.
Невозможно считать диск	Диск установлен верхней стороной вниз. Компакт диск загрязнен или имеет дефект. Температура внутри машины очень высокая.	Установите компакт диск стороной с этикеткой вверх. Очистите диск или установите новый. Подождите пока температура не станет нормальной.
Нет звука	Звук установлен на минимум. Кабель не подключен надлежащим образом.	Отрегулируйте звук до необходимого уровня. Проверьте подключение кабеля.
Не действуют функциональные ключи	Встроенный микрокомпьютер не работает надлежащим образом из-за шумов. Передняя панель не установлена на свое место.	Нажмите кнопку RESET. Повторно установите переднюю панель.
Звук пропадает	Угол установки более 30 градусов. Компакт диск загрязнен или имеет дефект.	Отрегулируйте угол установки, установив его менее 30 градусов. Очистите диск или установите новый.
Радио не работает. Не работает автоматический выбор радиостанции	Антенный кабель не подключен. Сигналы слишком слабы.	Вставьте антенный кабель надежно. Выберите станцию вручную.

## Технические характеристики

<b>Общие</b> Источник питания	12 В, постоянное
Потребляемый ток	макс. 14 А
Максимальная выходная мощность	50 Вт x 4 канала
Предохранитель	15 А
Размеры (Д x Ш x В)	192 x 178 x 50 мм
<b>Сtereo FM радио</b> Частотный диапазон	87.5 - 108.0 МГц
Используемая чувствительность	3 мкВ
Память цифрового тюнера	
<b>MW радио</b> Частотный диапазон	522-1620 кГц
Используемая чувствительность	40 дБ
Память цифрового тюнера	
<b>Аудио</b> Система	Дисковая аудио система
Воспроизведение дисков:	CD/DVD/DVD±R/CD-R/-RW
Воспроизведение форматов:	DVD-audio/DVD-video/SVCD/VCD/MP3/WMA/JPEG/Picture CD/Photo CD/DivX/MPEG4
Частотные характеристики	20 Гц - 20 кГц ± 5 дБ
Отношение сигнал/шум CD	68 дБ (1 кГц)
Количество каналов	2 стерео
DSP процессор	Classic, Rock, Pop, Flat
<b>Линия выход</b> Выход	CD макс. 2000 мВ

**Технические характеристики могут быть изменены заводом-изготовителем без предварительного уведомления.**

**Указанные масса и геометрические размеры имеют приблизительные значения.**