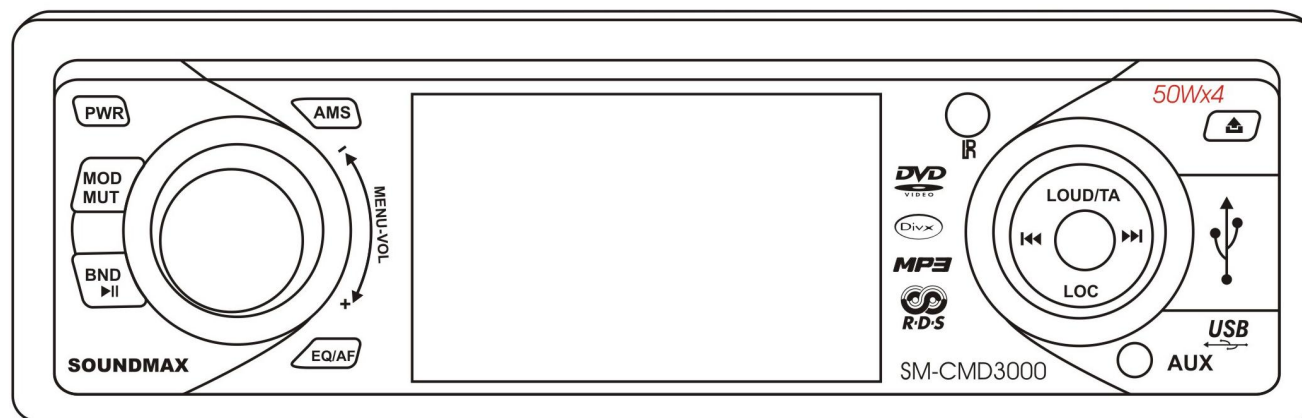
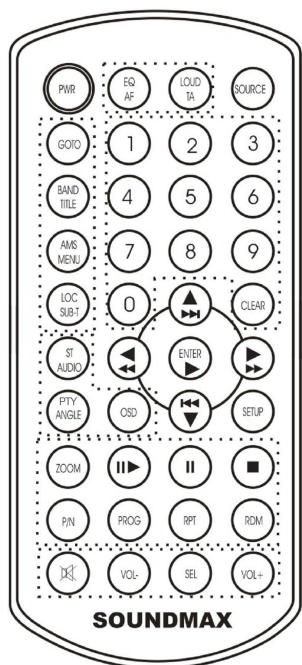


**SOUNDMAX**

# SM-CMD3000



**MULTIMEDIA DVD/CD/MP3 RECEIVER WITH BUILT-IN 3" TFT DISPLAY**

**Instruction manual**

**МУЛЬТИМЕДИЙНЫЙ DVD/CD/MP3-РЕСИВЕР СО ВСТРОЕННЫМ 3" TFT-ДИСПЛЕЕМ**

**Руководство по эксплуатации**

Dear customer!

Thank you for purchasing our product. For safety, it is strongly recommended to read this manual carefully before connecting, operating and/or adjusting the product and keep the manual for reference in the future.

## Table of contents

|                               |    |
|-------------------------------|----|
| Table of contents .....       | 2  |
| Important safeguards .....    | 3  |
| Installation/Connections..... | 4  |
| Panel controls .....          | 8  |
| General operations .....      | 11 |
| Radio operations .....        | 13 |
| DVD/CD operations .....       | 16 |
| MP3 overview .....            | 21 |
| System setup.....             | 23 |
| Anti-theft system .....       | 26 |
| Handling compact discs.....   | 27 |
| Troubleshooting guide .....   | 28 |
| Specification .....           | 29 |

# Important safeguards

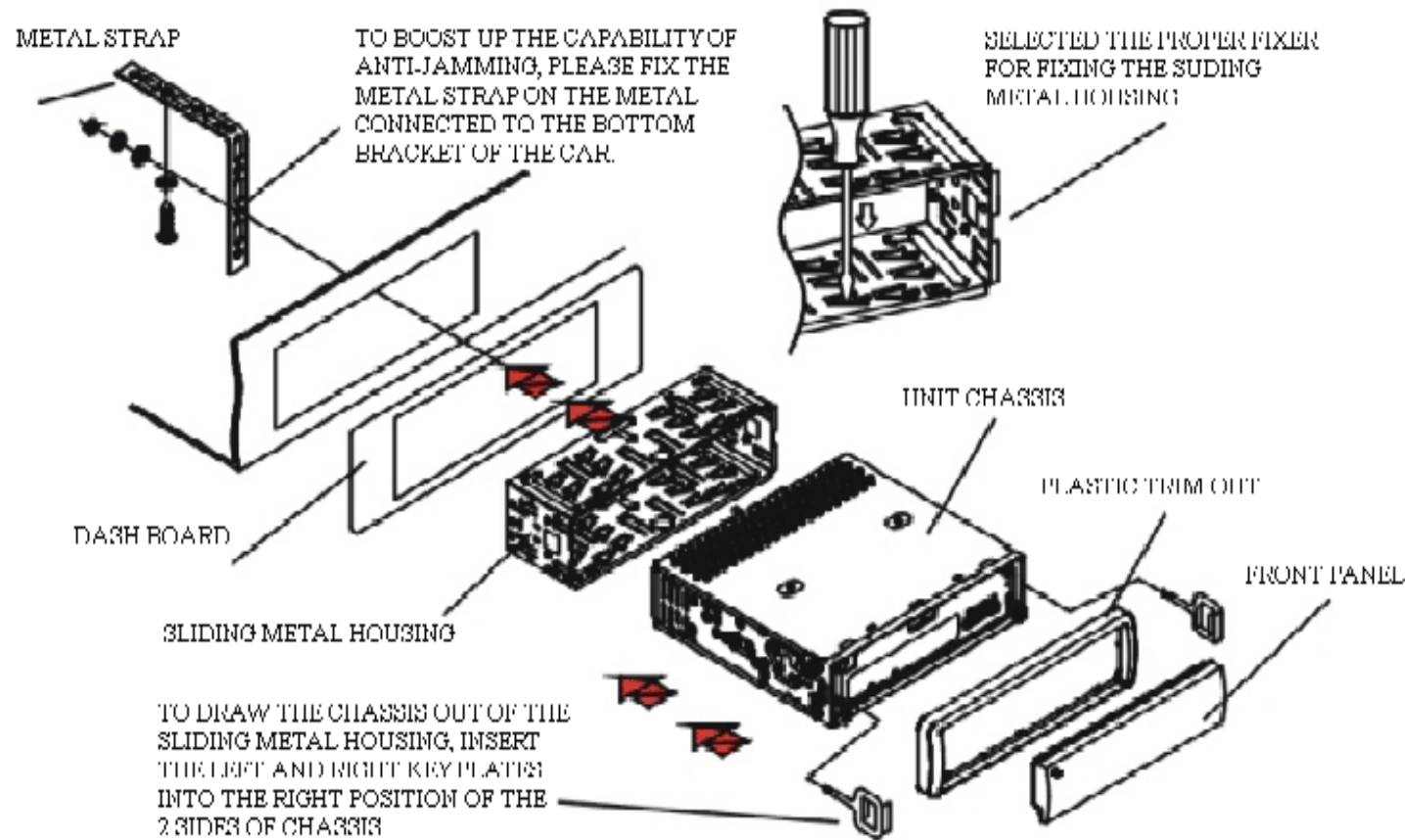
- Read carefully through this manual to familiarize yourself with this high-quality sound system.
- Disconnect the vehicle's negative battery terminal while mounting and connecting the unit.
- When replacing the fuse, be sure to use one with an identical amperage rating. Using a fuse with a higher amperage rating may cause serious damage to the unit.
- DO NOT attempt to disassemble the unit. Laser beams from the optical pickup are dangerous to the eyes.
- Do not use the unit in places where it can be exposed to water, moisture and dust.
- Make sure that pins or other foreign objects do not get inside the unit; they may cause malfunctions, or create safety hazards such as electrical shock or laser beam exposure.
- If you have parked the car for a long time in hot or cold weather, wait until the temperature in the car becomes normal before operating the unit.
- DO NOT open covers and do not repair yourself. Consult the dealer or an experienced technician for help.
- Make sure you disconnect the power supply and aerial if you will not be using the system for a long period or during a thunderstorm.
- Make sure you disconnect the power supply if the system appears to be working incorrectly, is making an unusual sound, has a strange smell, has smoke emitting from it or liquids have got inside it. Have a qualified technician check the system.
- The unit is designed for negative terminal of the battery, which is connected to the vehicle metal. Please confirm it before installation.
- Do not allow the speaker wires to be shorted together when the unit is switched on. Otherwise it may overload or burn out the power amplifier.
- Do not install the detachable panel before connecting the wire.

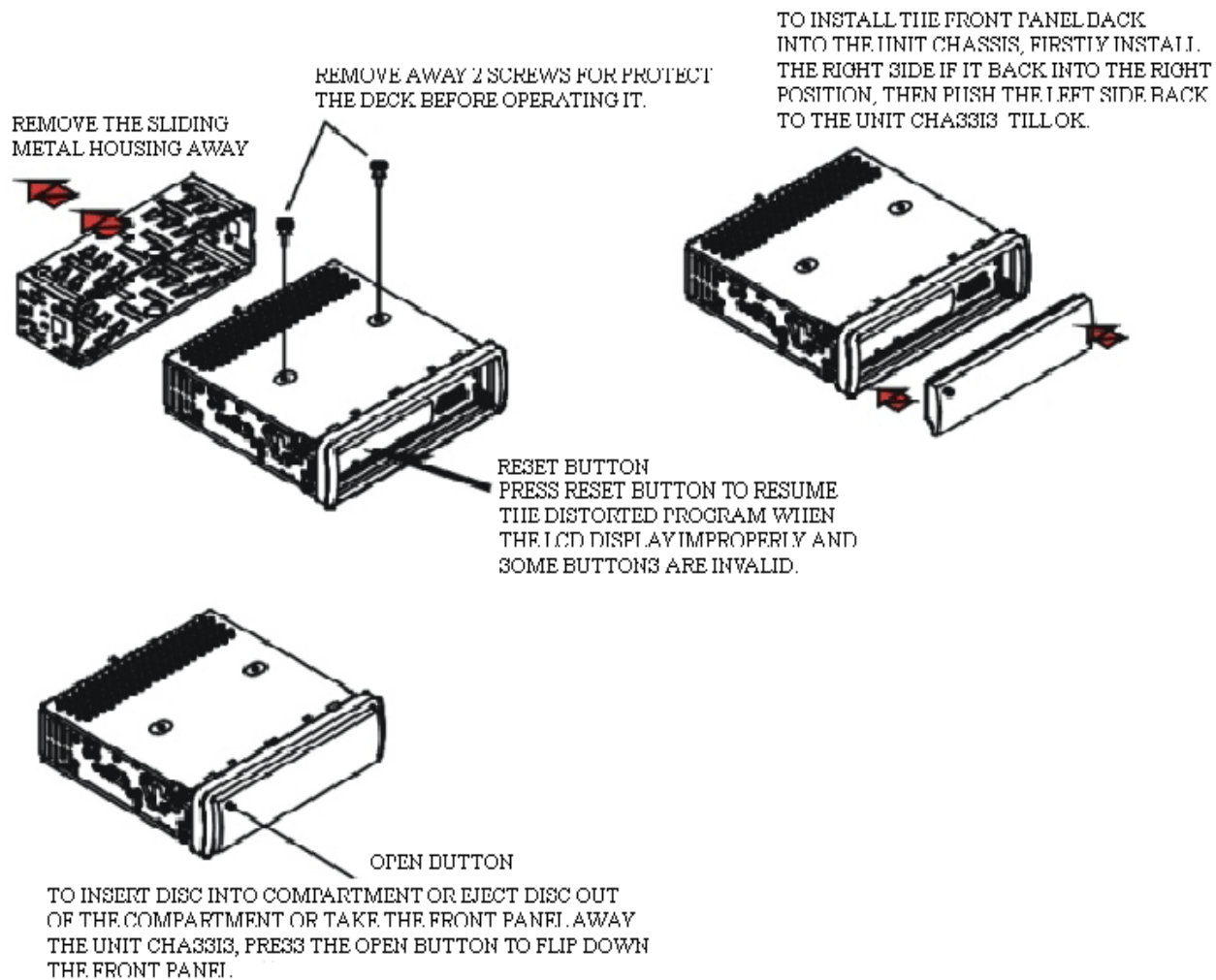
# Installation/Connections

First complete the electrical connections, and then check them for correctness.

## Installation way

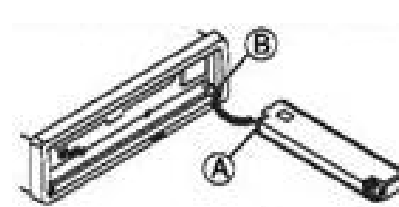
It is an anti-theft installation way. The chassis wear a metal sliding housing. Please have the wiring connection of the power supply, speakers and antenna as for the requirement of the manual, and then install the metal sliding housing into the car according to the diagram.





### Attaching the control panel

1. Insert the right side of the control panel (pic. 1, A) into the shaft of the main unit (pic. 1, B).
2. Push the panel to the right and insert the left side of it (pic. 2).
3. Press the top side of the panel until a "click" sound is heard (pic. 3).



Pic. 1



Pic. 2

### Detaching the front panel

1. Press the REL button on the front panel. The panel will go down.
2. Hold and slide the panel to the left and pull it towards you.



Pic. 3

#### Caution:

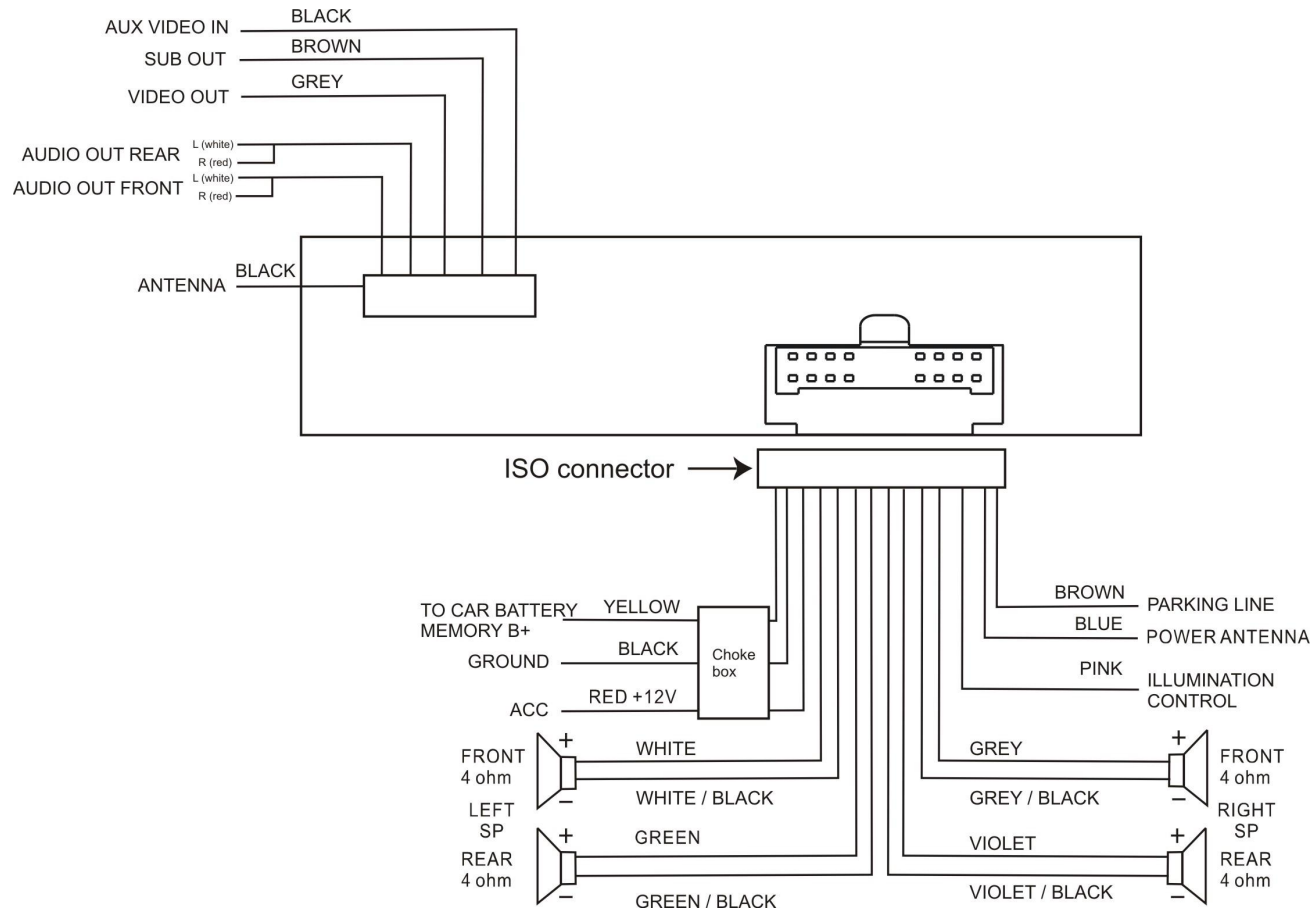
The control panel can easily be damaged by shocks. After removing it, place it in a protective case and be careful not to drop it or subject it to strong shocks.

The rear connector that connects the main unit and the control panel is an extremely important part. Be careful not to damage it by pressing on it with fingernails, pens, screwdrivers, etc.

#### Note:

If the control panel is dirty, wipe off the dirt with soft, dry cloth only. And use a cotton swab soaked in isopropyl alcohol to clean the socket on the back of the control panel.

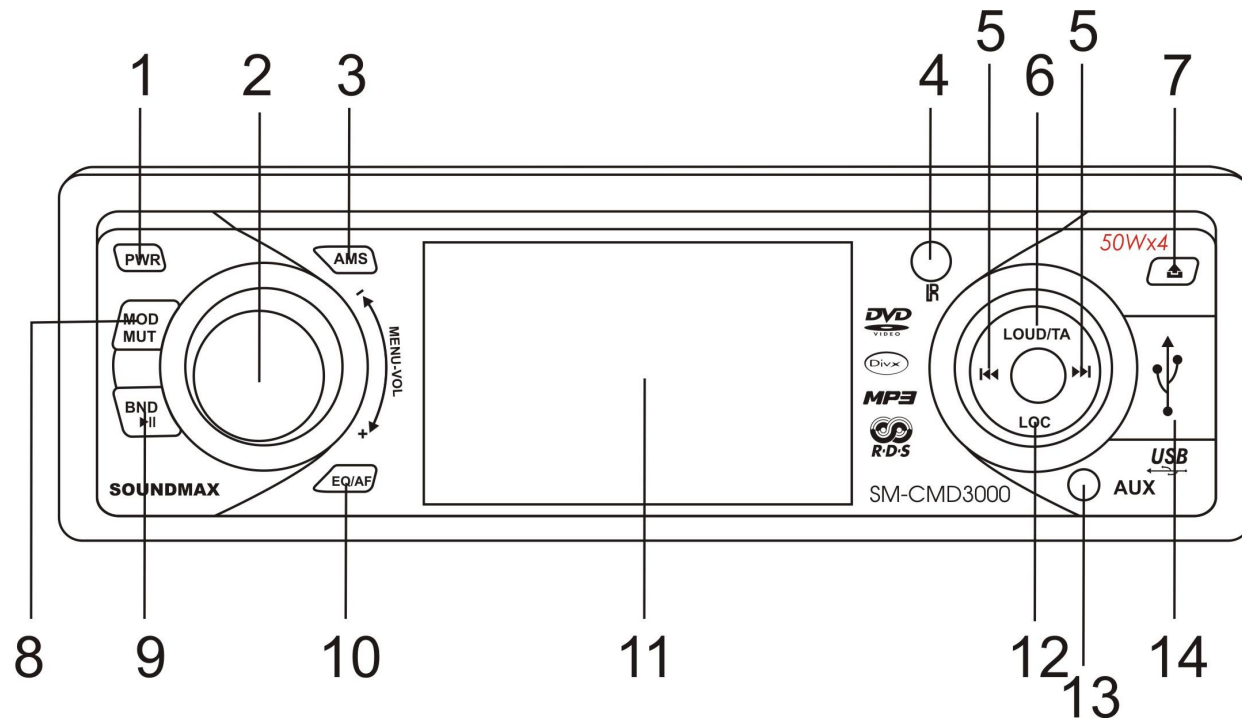
# Connection scheme



## Notes:

- In spite of having any kinds of speaker system, must use 4 ohms impedance of speaker to reduce the distortion during high volume level.
- Prohibit to make the conductors of auto antenna and ground touch with each other.
- For your driving safety, please link your parking wire with low power level, and keep it controlled by manual brake switch. Wire should be high power level and the unit cannot play video disc.

## Panel controls



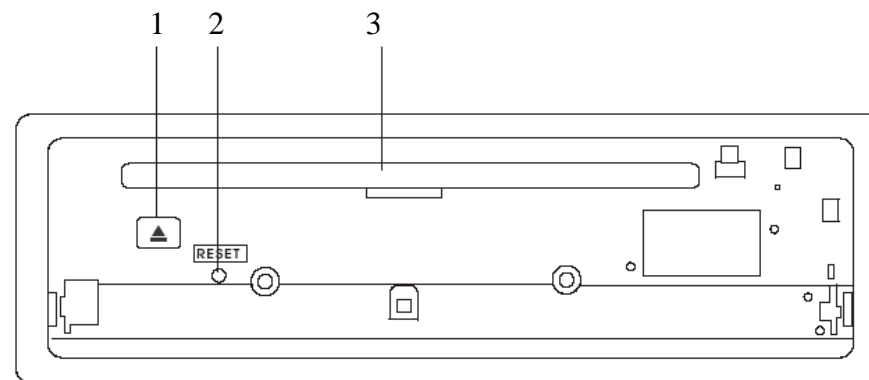
1. **PWR BUTTON**  
Press it to turn the power on. Press again to turn the power off.
2. **MENU-VOL KNOB/SEL button**  
Rotate VOLUME knob clockwise to increase the volume level; rotate anticlockwise to decrease the volume level. Briefly press it (the SEL button) to set the volume characteristics. Press and hold it to show the system menu, rotate it to set the item.
3. **AMS BUTTON (RPT BUTTON)**  
In RADIO mode briefly press it to start preset station scanning.  
Press and hold it, the automatic stations searching and saving will start.  
  
Firstly press it, then press **◀▶** to select stations.  
During disc playback, press it to active the repeat play function.
4. **INFRA RED SENSOR**












5. **⏮/⏭ BUTTONS**  
 During playback repeatedly press the **⏮/⏭** buttons to go to previous/next track.  
 In RADIO mode press the **⏮/⏭** buttons to search the station manually. Press and hold for 2 seconds to start automatic station searching.
6. **LOUD/TA BUTTON**  
 Briefly press it to active the TA function. Press and hold it to active LOUD function.
7. **REL BUTTON**  
 Press it to flip down the front panel.
8. **MOD/MUTE BUTTON**  
 Briefly press it to select the mode: RADIO => DISC (depending on the disc inside the unit) => USB => AUX. Keep pressing it to mute.
9. **BND/PLAY/PAUSE BUTTON**  
 In Radio mode press it to select the band.  
 During playback press it to play or pause play.  
 In CD mode press it to show the artist name and track name.
10. **EQ/AF BUTTON**  
 Briefly press it to activate the AF function. Press and hold it to select the corresponding preset modes to adjust the sound quality.
11. **LCD (LIQUID CRYSTAL DISPLAY)**
12. **LOC BUTTON**  
 During radio mode, press it to select the distant or local station.
13. **AUX IN**
14. **USB socket**

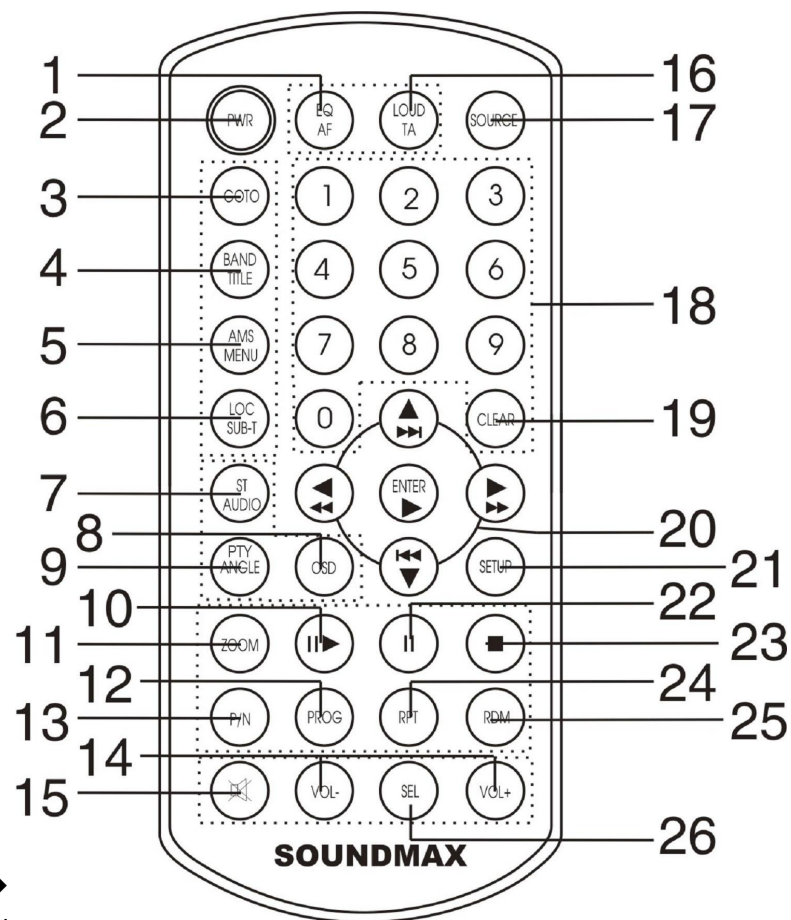
**Inner panel**

1. **EJECT BUTTON**  
 Press it to eject the disc.
2. **RESET BUTTON**  
 Press to set the unit to initial status.
3. **DISC LOADING SLOT**



## Remote control

1. EQ/AF BUTTON
2. PWR BUTTON
3. GOTO BUTTON
4. BND/TITLE BUTTON
5. AMS/MENU BUTTON
6. LOC/SUB-T BUTTON
7. ST/AUDIO BUTTON
8. OSD BUTTON
9. ANGLE BUTTON (PTY)
10.  SLOW BUTTON
11. ZOOM BUTTON
12. PROG BUTTON
13. P/N BUTTON
14. VOL +/VOL- BUTTONS
15. MUTE BUTTON
16. LOUD/ TA BUTTON
17. SOURCE BUTTON
18. 0~9 NUMBER BUTTONS
19. CLEAR BUTTON
20. ENTER BUTTON/CURSOR  /  /  /  BUTTONS/  / 
21. SETUP BUTTON
22.  PAUSE BUTTON
23.  STOP BUTTON
24. RPT BUTTON
25. RDM BUTTON
26. SEL BUTTON



# General operations

## Reset the unit

Operating the unit for the first time or after replacing the car battery, you must reset the unit. Press REL button, then press the RESET button to restore the unit to the original factory settings.

## Power button

Press the PWR button to switch the unit on. Press and hold it to switch the unit off.

Note: After the unit is off, volume level and radio current settings will be memorized, and when you turn the unit on it will resume the stored status you set.

## Volume control

Rotate VOLUME knob clockwise to increase the volume level; rotate anticlockwise to decrease the volume level. OR press the VOL +/- buttons on the RC to adjust the volume level.

## Audio settings adjustment

Press SEL button shortly and repeatedly to select the mode: VOL => BAL => FAD => BAS => TRE. Rotate the MENU-VOL knob or press VOL +/- buttons on the RC to adjust each mode.

NOTE: Adjustments to Bass and Treble will override any preset EQ (Preset Equalizer Curves).

In each mode, the waiting time is about 3 seconds, and the waiting time is over, it returns to the last display mode of radio or disc playback mode.

## Setup menu

1. Press and hold for 2 seconds the SEL button on the panel to enter the setup menu.
2. Rotate the MENU-VOL knob to select the setting: AUDIO => VIDEO => SOURCE SEL => PREFERENCE => EXIT.
  - *Audio settings:* you can adjust: Balance, Fader, Bass, Treble, Equalizer, Loudness, Back.
  - *Video settings:* you can adjust: Bright, Contrast, Color, Hue, Wide, Default, Back.
  - *Source select:* you can select: Radio, USB, DVD, AUX, Back.
  - *Preference settings:* you can adjust: Clock system, Clock adjustment, Key beep, Back.
3. Briefly repeatedly press SEL button (volume regulator) on the panel or ENTER on the RC to open the setting adjustment window.
4. Rotate the MENU-VOL knob or press ▲/▼ buttons on the RC to adjust the setting.

- SOUND MAX
5. Press SEL or ENTER to confirm.
  6. Select BACK to return to settings list.
  7. Select EXIT to exit settings list window.

#### Mode selection

Press the SOURCE button on the RC or briefly press MOD/MUT button on the panel to select the mode: RADIO => DISC (depending on the disc inside the unit) (if it is inserted into the unit) => USB (if it is inserted into the unit) => AUX.

#### Mute function

Press the MUTE button on the RC or press and hold the MOD/MUT button on the panel to turn off the sound. Press again to resume.

#### EQ Setting

Press EQ/AF button repeatedly to choose modes: POP => CLASSIC => ROCK => OFF.

#### Turning loudness ON/OFF

Press LOUD/TA button to active the function. The symbol "LOUD" indicates. Press again to switch off this function.

#### Clear

Press CLEAR to clear the mistake input.

#### Display mode

Press and hold ZOOM button during video playback to select 4:3 (Normal) display mode. Press and hold it again to select 16:9 (Wide) mode.

#### TV type select

Press the P/N button on the RC to select the TV type: PAL, NTSC, AUTO.

#### Force disc out

During playback, when a disc was locked or cannot be ejected, press MOD/MUT on the head unit, hold and press the EJECT button for 3 seconds, and disc will be forced out.

# Radio operations

Note: RDS (Radio Data System) service availability varies with areas. Please understand if RDS service is not available in you area, the following service is not available, either.

## BAND selection

Repeatedly press the BAND/TITLE button on the RC or BND/PLAY/PAUSE on the panel to select your desired radio band during RADIO mode: FM1, FM2, FM3, FM 4 (OIRT), AM1, AM2.

## Auto/Manual tuning

- Manual tuning: Briefly press the ◀/▶ buttons shortly to select a station downward or upward step by step.
- Automatic tuning: Briefly press the ◀/▶ buttons and hold for 3 seconds, the automatic search downward or upward will start. It will play when finds the station.

## Programing tuner stations

You can store up to a total of 36 radio stations in the memory (24 FM, 12 AM), manually or automatically.

- To store a station:
- Select a band (if needed).
- Select a station.
- Hold a Preset button (1-6) which you want store the station for at least 2 seconds.
- To recall a station:
- Select a band (if needed).
- Press the number 1~6 buttons or ▲/▼ buttons to recall the stored station.

## Selecting station directly

Press GOTO button, the monitor shows "FR". Input the frequency number to receive the station.

## Auto memory store

Select a band. Press and hold AMS button to enter auto store mode. The radio will automatically store 6 stations to the 6 preset memories of the current band. To stop auto store, press it again.

### Preset scan

Select a band. Press AMS button to scan all preset stations in the memories of the current band and stay on each memory stations for about 7 seconds. To stop preset scan, press the button again.

### Number Buttons

During radio mode, Number Buttons from 1 to 6 can help you store your favorite station. You can follow the Steps below:

When receiving a station, press and hold any Number Button until CH appears on the LCD, which indicates that station is already stored in the corresponding number button. You can store up to 24 FM stations (6 each for FM1,FM2,FM3,FM4), up to 12 AM stations (6 each for AM1/MW and AM2/LW).

### Radio setup menu

1. During Radio mode press the SETUP button on the RC to enter the setup menu.
2. Press the ▲/▼ buttons to select the desired mode: Stereo => Local => RDS AF => RDS TA => Region => RT scroll => TA volume => Exit.
  - *Stereo*: you can select: ON, OFF.
  - *Local*: you can select: ON, OFF.
  - *RDS AF*: you can select: AF ON, AF OFF.
  - *RDS TA*: you can select: TA ON, TA OFF.
  - *Region*: you can select: REG ON, REG OFF.
  - *RT scroll*: you can select: SLOW, NORMAL, FAST.
  - *TA volume*: you can select: LOW, NORMAL, HIGH.
3. Press ENTER to open the mode settings list.
4. Press ▲/▼ buttons to select the setting.
5. Press ENTER to confirm the setting.
6. Select EXIT to exit settings list window.

### Stereo/Mono mode

Press the ST/AUDIO button repeatedly on the RC to select Stereo or Mono mode.

### Local/Distant mode

Press the LOC/SUB-T button on RC or LOC button on the panel to select Local or Distant (DX) tuning mode. Local mode improves reception in some areas where the signal is too strong.

TA (Traffic Alarm) function

- Briefly press the LOUD/TA button to turn on or turn off the TA function.
- When TA is enabled (on), the tuner starts searching the traffic announcement.

AF (Alternative Frequencies) function

Briefly press the EQ/AF button to turn on or turn off the AF function.

The RDS program will be automatically searched and received. The unit will search another frequency with this RDS program.

Default setting is ON.

PTY (Program Type) function

1. Press ANGLE button on the RC to activate the PTY function and select the program type group by using cursor buttons: POP M => NEWS => EDUCATE => PTY OFF.
2. When the program type is selected press and hold ANGLE to start PTY searching or searching automatically after 3 seconds.

|         |   |
|---------|---|
| POP M   | Rock M/ Easy M/ Light M/ Classic/ Other M/ Jazz/ Country/ Nation M/ Oldies/ Folk M/ Drama |
| NEWS    | Affairs/ Info/ Weather/ Finance/ Sport/ Varied/ Culture/ Social travel/ Leisure/ Document |
| EDUCATE | Science/ Children/ Religion/ Phone in   |

3. Press ANGLE button again to switch the PTY function off.

On-screen display

Briefly press the OSD button on the RC to show the RDS menu, press and hold it to display the current mode information.

## DVD/CD operations

### Disc glossary

#### PBC (PlayBack Control)

PBC is a menu recorded on the disc with SVCD or VCD2.0 format. For the discs contained PBC, it can playback interactive software with the menu displayed on TV. And if the disc contains still images, it can playback high definition of still image.

#### Title

The title is the important part of DVD disc. The memory volume of the disc is rather big, that makes possible to record several films on one disc. For example, if a disc contains three films, they may be divided into Title 1, Title 2 and Title 3. You can easy use the functions of looking-for.

#### Chapter

A title can be divided into several blocks, so that every block can be operated as a unit, the unit is called chapter. The chapter contains a unit at least.

#### Track

It is the biggest component of VCD. Generally, every song of karaoke disc is a track.

### Discs for playback

- This unit can play disc types: CD/DVD/DVD±R/±RW/CD-R/-RW.
- Compatible with formats: DVD/SVCD/VCD/HDCD/MP3/WMA/CDDA/JPEG/MPEG4/DivX playback
- The following file types are supported:
  - Audio files: MP3 (\*.mp3)  
WMA (\*.wma)
  - Video files: MPEG 2(\*.vob)  
MPEG 1(\*.dat)
  - Picture file: JPEG (\*.jpg)
- ISO 9660 or ISO 9660 +Joliet format - Max. 30 characters
- Supported sampling frequency for MP3 disc: 8 KHz – 48 KHz (44.1 KHz preferably)
- Supported bit-rates of MP3 disc are: 32 - 320 kbps (128 kbps preferably).
- Following formats are NOT supported \*.ACC, \*.DLF, \*.M3U, \*.PLS, MP3 PRO, files with DRM.
- Open session discs are NOT supported.



### Inserting the USB device

Insert the USB device into USB jack. Then the playing mode will be changed into USB mode. The first USB device track playback will start.

Note:

USB functions (flash memory type) MP3 music play

- FAT 12/ FAT 16/FAT 32 is possible
- FAT 12/16 (dir: 200 support, file:500 support),
- FAT 32 (dir: 200 support, file:500 support).
- Filename: 32 byte/ Dir name: 32byte.
- Tag (id3tag ver2.0)
- Title/ Artist/Album: 32 byte support.
- USB format supports 2.0. Capacity: 8 MB ~ 1 Gb.

### Loading/eject a disc

- Press the REL button on the panel. Insert the disc with the printed side facing upward into the slot.
- Press EJECT button to eject the disc.

### Playing/pausing playback

- When the disc is in the playback will start automatically. Or you can press the SOURCE button to start playback. To ensure good system performance, wait until the unit finishes reading the disc information before proceeding.
- Press the PAUSE/PLAY/PAUSE button to pause the playback. Press again to resume the playback.

### Stop playback

During MP3/MPEG-4/USB mode, press STOP button on the RC to stop the playback. Press it again to resume the playback.

During VCD/CD mode, press STOP button to pause playing, press PAUSE/PLAY/PAUSE to play, and press STOP button twice to stop playing completely. To start playing press PAUSE/PLAY/PAUSE button.

### Using the number buttons

Press the number buttons to insert the track/chapter number.

Select a track by using Number buttons 0~9. The selected track will be played automatically.

### Playing the previous/next track

During DVD playback, press ◀ to replay the current track, press and hold ◀ within 3 seconds to play the previous track, press ▶ to play the next track.

During MP3/USB playback, press the ▲/▼ buttons to play the previous/next track.

During VCD/CD/MPEG-4 playback, press the ◀ button to replay the current track, press ◀ button within 3 seconds to play the previous track, press the ▶ button to play the next track.

### Fast forward and backward playback

Press the ◀/▶ buttons on the RC to fast the playing in backward or forward direction as follows: X2 => X4 => X8 => X16.

### Slow playback

During playback press SLOW on the RC to start slow forward or backward playback.

The change is a following: 1/2 => 1/4 => 1/8.

### Repeat playback

During disc playback, press the RPT button on the RC or AMS button on the panel to repeat the current track/chapter playback: Chapter => Title => Off.

### Random playback

During disc playback, press the RDM button on the RC to start random playback of the tracks. Press again to cancel.

### Changing angle (for DVD only)

If DVD disc supports multi-angle playback, press the ANGLE button on the RC to playback images in different camera angles. If discs doesn't support multi-angle playback, this function will not work.

### Selecting audio languages (for DVD only)

During DVD disc playback press ST/AUDIO button on RC repeatedly to select the audio language to listen (if the disc supports multi-language mode).

### Selecting the channel (for VCD only)

During VCD disc playback repeatedly press the ST/AUDIO button on the RC to select the channel: Left => Right => Stereo.

### Selecting subtitle language (for DVD only)

Subtitle language is in disc initiation setting during playback. If DVD disc supports multi-subtitle playback, press the LOC/SUB-T button on the RC repeatedly to switch among languages.

### Changing size (for DVD/VCD)

During playback press the ZOOM button on the RC. The picture will be enlarged accordingly: X2 => X3 => X4 => Normal. When the picture is enlarged use the cursor buttons to see the whole picture.

### OSD (OnScreen Display) function

Press the OSD button on the RC repeatedly to show the current track/chapter, current time on the display. Press and hold this button to display the current mode information.

### Title playing (for DVD only)

- During DVD mode, press BAND/TITLE button on the panel to activate the disc title list on the screen.
- Press the ▲/▼/◀/▶/ENTER buttons and Number buttons on the RC to select the desired title.

### PBC (Playback Control) function (for VCD only)

If you insert a VCD with PBC, playback starts from the beginning of the 1st track automatically.

1. Press PBC button on the RC to activate PBC menu on screen during playback.
2. If the menu consists a list of titles, you can select a desired one using the Number buttons on the RC or digit buttons.
3. The VCD starts playing the selected title automatically or press PLAY/PAUSE/ENTER button to confirm the selected track for playback.
4. when track is playing you can press STOP button to return to the menu.
5. Press TITLE again to exit menu.

### GOTO function

1. During the DVD/VCD playback press the GOTO button on the RC to enter the menu.
2. Press the ▲/▼/◀/▶ buttons to select the desired item: Title => Chapter => Audio => Subtitle.
3. Press ENTER to highlight the item.

4. Then press Number buttons to input the desired track/chapter number (or use the ▲/▼ buttons to select the setting for Audio or Subtitle mode).
5. After the number is inserted the playback from this chapter/title starts automatically in small window.
6. Press GOTO to start playback in normal window.

#### Program playing (for VCD/CD only)

During playback press the PROG button on the RC to open the program menu. Press the Number buttons to select the track number and then press ◀ / ▶ / ▲ / ▼ buttons to move the cursor to START.

Press ENTER to start program playing; move the cursor to EXIT and press ENTER to exit the program playing. Move the cursor to ◀◀ and press ENTER to the last page; move the cursor to ▶▶ and press ENTER to the next page. To cancel the program playing press STOP button.

#### Audio/Video/Picture file operations

Insert the CD with mixed files (.mp3, .jpeg, .wma, mpeg4 files). Category/Folder/File list will be displayed on the screen, and file/folder name being played will be displayed on top. Current selected item will be highlighted.

#### File Selector

During MP3/MPEG-4/USB stop mode, press◀◀/▶▶ buttons to select file or file document. Press ENTER to open it.

# MP3 overview

## Notes on MP3

- MP3 is short for MPEG Audio Layer 3 and refers to an audio compression technology standard.
- This product allows playback of MP3 files on CD-ROM, CD-R or CD-RW discs.
- The unit can read MP3 files written in the format compliant with ISO 9660. However it does not support the MP3 data written by the method of packet write.
- The unit can not read an MP3 file that has a file extension other than “.mp3”.
- If you play a non- MP3 file that has the “.mp3” extension, you may hear some noise.
- In this manual, we refer to what are called “MP3 file” and “folder” in PC terminology as “track” and “album”, respectively.
- Maximum number of directory level is 8, including the root directory. Maximum number of files and folders per disc is 256.
- The unit may not play tracks in the order of Track numbers.
- The unit plays only the audio tracks if a disc contains both audio tracks and MP3 files.
- When playing a disc of 8 kbps or “VBR”, the elapsed playing time in the display window will not be correct and also the intro play may not function properly. “VBR”: Variable Bit Rate.

## Notes on creating your own CD-Rs or CD-RWs containing MP3 files

- To enjoy high quality sound, we recommend converting to MP3 files with a sampling frequency of 44.1 kHz and a fixed bit rate of 128 kbps.
- DO NOT store more than 256 MP3 files per disc.
- For ISO 9660 - compliant format, the maximum allowable depth of nested folders is 8, including the root directory (folder).
- When CD-R disc is used, playback is possible only for discs, which have been finalized.
- Make sure that when MP3 CD-R or CD-RW is burned that it is formatted as a data disc and NOT as an audio disc.
- You should not write non-MP3 files or unneeded folders along with MP3 files on the disc otherwise it takes a long time until the unit starts to play MP3 files.
- With some CD-R or CD-RW media, data may not be properly written depending on their manufacturing quality. In this case, data may not be reproduced correctly. High quality CD-R or CD-RW disc is recommended.
- Up to 16 characters are displayed for the name of an Album or a Track. ID3TAG version 1.x is required. Note that the unit may not play Tracks in the order that you wrote them to the disc.

# System setup

1. Press and hold SETUP button on the RC to enter the setup menu. In Setup mode, press SETUP key again to quit the setup page.
  2. Use the ◀/▶ buttons to choose the setup page: General page, Dolby setup, Preference page, Exit.
  3. Press the ▼ button to enter the setup page selected.
  4. Use the ▲ and ▼ buttons to select the option you want to adjust.
  5. Press ▶ to enter the adjustment list. Use the ▲ and ▼ buttons to select the adjustment and press ENTER or ◀ to confirm and return to options list.
  6. To return to setup page list press the ◀ button in the options list.
- Note: The setup is memorized and kept after power off.

## General setup page

- TV DISPLAY

Normal/PS: When the unit connects to the normal TV set, the wide-screen image shows on the full screen, but some part is cut off (4:3).

Normal/LB: When the unit connects to the normal TV set, the wide-screen image shows and black bars appear on the top and bottom of screen (4:3).

Wide: Use this item when the unit is connected with the wide screen (16:9) TV set.

- ANGLE MARK

It will show the angle mark when playing DVD disc with multi-angle view if selecting On.

- OSD LANG

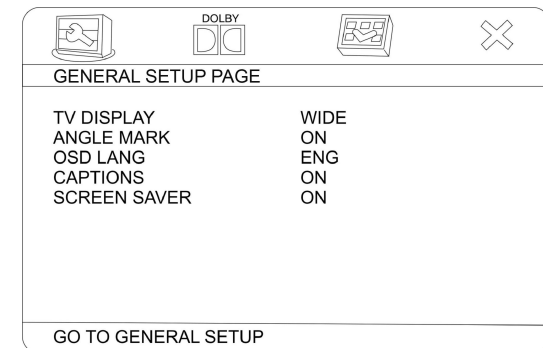
Select on-screen display language.

- CAPTIONS

This function doesn't work when the disc without caption. If the caption is Off, press SUBTITLE key on the remote controller to make caption on. The default setup is On.

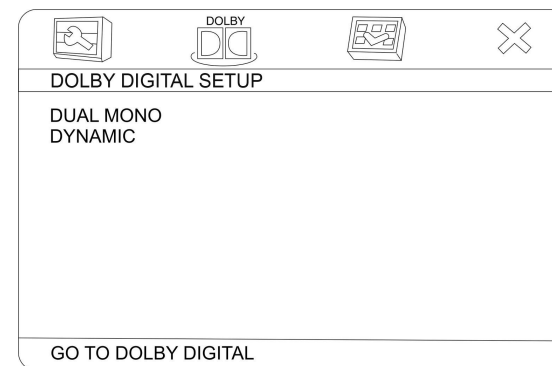
- SCREEN SAVER

If the Screen saver is set On and the unit is switched on without a disc playing for 3 minutes, a moving picture appears on the screen.



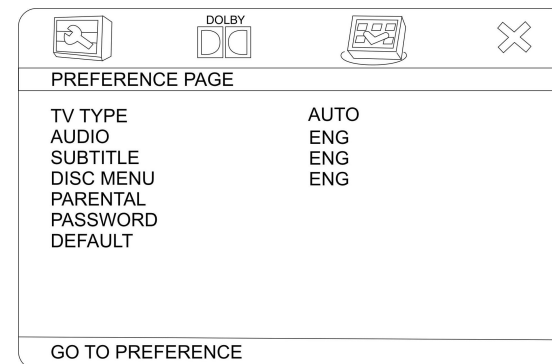
## Dolby digital setup

- DUAL MONO**  
 Choose the mode of the audio output:  
 Set stereo: choose this setting, when 5.1-channel sound playing, two channels of signals will be output from the left and right soundtrack; when 2-channel sound playing, stereo signal will be output.  
 Left mono: the signal will be output from the left speaker.  
 Right mono: the signal will be output from the right speaker.  
 Mixed mono: the signal from one channel will be output from left and right speakers.
- DYNAMIC**  
 If adjusting to FULL, the audio signal peak value will be the minimum. While adjusting to OFF - maximum.  
 Use the ▲, ▼ button to move the scroll and adjust the dynamic range.



## Preference setup

- TV TYPE**  
 This unit is suitable for all kinds of TV systems. You can select one of the PAL, NTSC or Multi.  
 Auto: the TV system is auto switched according to the disc system.  
 NTSC: this system is used in USA, Taiwan, Japan etc.  
 PAL: this system is used in China, Europe, Hong Kong etc.
- AUDIO, SUBTITLE, DISC MENU**  
 Set the desired languages for all the settings. If a setting is supported by disc content, it will work. Otherwise the disc default value works. You also can press the ST/AUDIO button on the RC to select the audio language. Press the LOC/SUB-T button on the RC to select the subtitle language.
- PARENTAL**  
 The control level is for parental to control playing content and protect your children from violence and erotic. The disc, the level of which is higher than the setting level can not be played.





Set the control level:

(1) with the least limits when playing.

(8) with the most limits when playing.

Original setting: OFF.

Note: The rating can be selected only under the Password unlocked status, and the limits can be worked only under the password locked status.

- **PASSWORD**

In Old password field enter 8888 digits.

In New password field insert the new password.

Insert it again in Confirm password field.

Press ENTER to save the new password.

Note: The default password is 8888, after changing this password, it won't be valid!

- **DEFAULT**

Reset to the initial factory setups.

### Exit

Select the Exit page to exit the Setup menu.

OLD PASSWORD  
NEW PASSWORD  
CONFIRM PASS

OK

EXIT SETUP MENU

## Anti-theft system

This unit is equipped with a slide-down detachable and mask panel. Panel can be detached and taken with you, helping to deter theft.

### Detaching the front panel

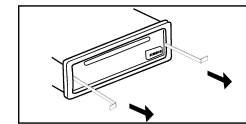
1. Press the PWR button to turn the power off.
2. Press the REL button on the front panel. The panel will go down.
3. Push the panel to the right and pull it towards you.
4. Place the panel into the case and take it with you when you leave the car.

### Attaching the control panel

1. Insert the right side of the control panel into the shaft of the main unit.  
Note: the control panel must be attached into the T-Joint.
2. Push the panel to the right and insert the left side.
3. Press the top side of the panel until a "click" sound is heard.

### Remove the unit

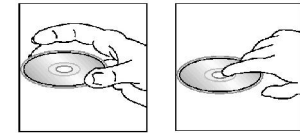
1. Remove the panel and the trim plate.
2. Insert both T-Keys into hole in front of the set until they lock.
3. Pull out the unit (pic. 1).



Pic. 1

# Handling compact discs

Dirty, scratched or warped discs may cause skip ping or noise. Handle the disc only by the edges. To keep clean do not touch its surface. Discs should be stored in their cases after use to avoid scratches.



Do not expose discs to direct sunlight, high humidity, high temperature or dust. Prolonged exposure to extreme temperature can warp the disc (such as leaving the discs in your car during summertime). Do not stick or write anything on either side of disc. Sharp writing instruments, or the inks used in some felt-tip pens, may damage its surface.

DO NOT touch the unlabeled side. DO NOT attach any seal, label or data protection sheet to either side of a disc.

This unit cannot play 3-inch (8 cm ) CDs.

Never insert a 3-inch CD contained in the adapter or an irregularly shaped CD. The unit may not be able to eject it, resulting in a malfunction.

## Cleaning

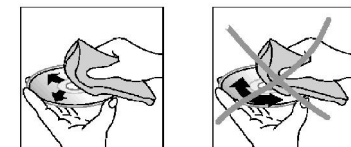
### 1. Cleaning the cabinet

Wipe with a soft cloth. If the cabinet is very dampen (not dropping wet) the cloth with a weak solution of soapy water, and then wipe clean.

### 2. Cleaning discs

Fingerprints should be carefully wiped from the surface of disc with a soft cloth. Unlike conventional records, compact discs have no grooves to collect dust and macroscopic dirt, so gently wiping them with a soft cloth should remove most particles. Wipe in a straight motion from the center to the edge.

Never use thinner benzene, record cleaner or anti static spray on a compact disc. Such chemicals can damage its plastic surface.



## Troubleshooting guide

| Symptom  | Cause  | Solution   |
|--|--|--|
| General<br>No power  | The car ignition is not on.<br><br>The fuse is blown.  | If the power supply is properly connected to the car accessory switch the ignition key to "ACC".<br>Replace the fuse.  |
| Disc<br>Disc cannot be loaded.   | Presence of CD disc inside the player.   | Remove the disc in the player then put a new upward.   |
| Disc cannot be read.   | Inserting the disc in upside down.<br><br>Compact disc is extremely dirty or defective.<br>Temperature inside the car is too high. | Insert the compact disc with the label facing upward.<br>Clean the disc or try to play a new one.<br>Cool off until the ambient temperature returns to normal. |
| No sound   | Volume is in minimum.<br>Wiring is not properly connected.   | Adjust volume to a desired level.<br>Check wiring connection.  |
| The operation keys do not work.  | The built-in microcomputer is not operating properly due to noise.<br>Front panel is not properly fix into its place.              | Press the RESET button.<br><br>Reinstall the front panel.  |
| Sound skips.   | The installation angle is more than 30 degrees.<br>The disc is extremely dirty or defective.                                       | Adjust the installation angle to less than 30 degrees.<br>Clean the compact disc/try to play a new one.  |
| The radio does not work,<br>the radio station automatic selection does not work. | The antenna cable is not connected<br>the signals are too weak.  | Insert the antenna cable firmly select a station manually.   |

# Specification

|                            |  |
|----------------------------|--|
| General                    |  |
| Power supply               | 12 V DC  |
| Current consumption        | max. 14 A                                      |
| Maximum power output       | 50 W x 4 channels                              |
| Fuse                       | 15 A   |
| Dimensions (L x W x H)     | 192 x 178 x 50 mm                              |
| DSP:                       | Classic, Pop, Rock, Flat                       |
| FM stereo radio            |  |
| Frequency range            | 65.0 – 74.0 / 87.5 – 108.0 MHz                 |
| Usable sensitivity         | 3 $\mu$ V                                      |
| Preset memory              | 24   |
| AM Section                 |  |
| Frequency range            | 522 kHz-1620 kHz                               |
| Usable sensitivity         | 40 dB  |
| Preset memory              | 12   |
| Disc player                |  |
| System:                    | Compact disc audio system                      |
| Usable disc:               | CD/DVD/DVD $\pm$ R/ $\pm$ RW CD-R/-RW          |
| Usable formats:            | DVD/SVCD/VCD/HDCD/MP3/WMA/CDDA/JPEG/MPEG4/DivX |
| Frequency characteristics: | 20 Hz - 20 kHz $\pm$ 5 dB                      |
| Signal to noise CD:        | 68 dB  |
| Number of channels:        | 2 stereo                                       |
| Line out                   |  |
| Output:                    | CD max 2000 mV                                 |

Specifications are subject to change without notice. Mass and dimension are approximate.

**Уважаемый покупатель!**

Благодарим Вас за покупку нашего изделия. Для обеспечения безопасности рекомендуется тщательно изучить настоящее руководство перед подключением, эксплуатацией и/или регулировкой изделия, и сохраняйте руководство для использования в будущем.

**Содержание**

|  |    |
|--|----|
| Содержание .....                               | 30 |
| Меры предосторожности .....                    | 31 |
| Установка/подключение .....                    | 32 |
| Органы управления .....                        | 36 |
| Основные функции .....                         | 39 |
| Функции радио .....                            | 42 |
| Воспроизведение файлов с DVD/CD дисков .....   | 45 |
| Обзор MP3 .....                                | 51 |
| Настройка системы .....                        | 53 |
| Система защиты от кражи .....                  | 56 |
| Обращение с компакт-дисками .....              | 57 |
| Руководство по устранению неисправностей ..... | 58 |
| Технические характеристики .....               | 60 |

## Меры предосторожности

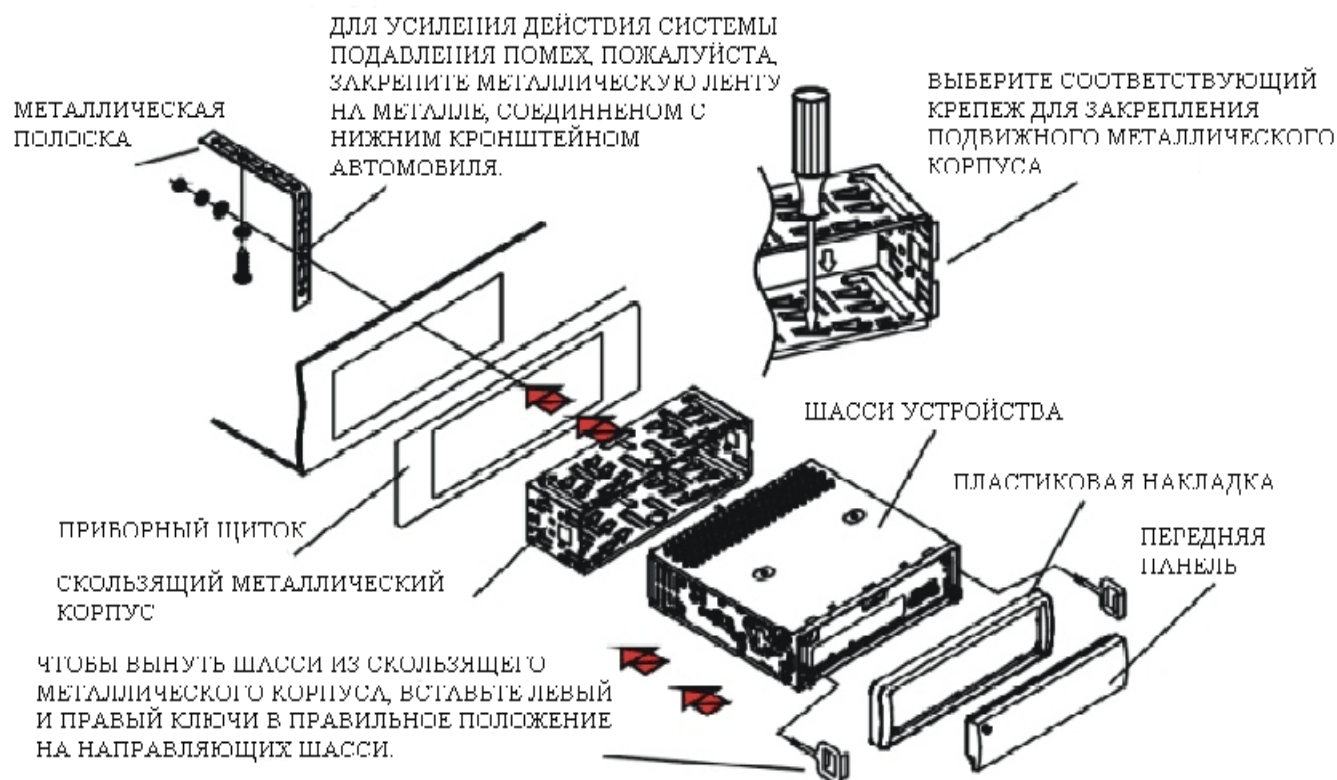
- Тщательно изучите настоящую инструкцию, чтобы ознакомиться с высококачественной аудиосистемой.
- При установке и подключении изделия отключите отрицательную клемму аккумулятора автомобиля.
- При замене предохранителя, убедитесь, что вы устанавливаете предохранитель с тем же номиналом. Используя предохранитель с повышенным значением тока, можно причинить значительные повреждения изделию.
- Не пытайтесь разбирать изделие. Лазерные лучи, исходящие из блока оптической головки считывания информации с компакт-диска, опасны для глаз.
- Убедитесь, что шпильки или другие посторонние предметы не попали внутрь изделия. Они могут вызвать сбой в работе или стать причиной опасности, такой как поражение электрическим током или лазерным лучом.
- Не используйте устройство в местах, где оно может подвергнуться воздействию воды, влаги и пыли.
- Если вы ставите автомобиль на стоянку на длительное время в жаркое или холодное время года, подождите пока температура в автомобиле не станет нормальной, перед тем как включать изделие.
- НЕ открывайте крышки и не проводите ремонт самостоятельно. Обратитесь к дилеру или квалифицированному персоналу
- Убедитесь, вы отключаете источник питания и антенну, если вы не будете пользоваться системой в течение длительного времени или во время грозы.
- Убедитесь, что вы отключаете источник питания, если обнаружена неправильная работа системы, система издает необычные звуки, запах, выделяет дым или внутрь ее попала жидкость. Проведите квалифицированный технический осмотр системы.
- Прибор разработан так, чтобы отрицательный вывод аккумулятора был подключен к корпусу транспортного средства. Пожалуйста, убедитесь в этом перед установкой.
- Не позволяйте проводам динамиков касаться друг друга при включении прибора. В противном случае, может быть перегружен или выйти из строя усилитель питания.
- Не устанавливайте съемную панель перед подключением кабеля.

## Установка/подключение

Сначала проведите электрические подключения, затем проверьте их правильность.

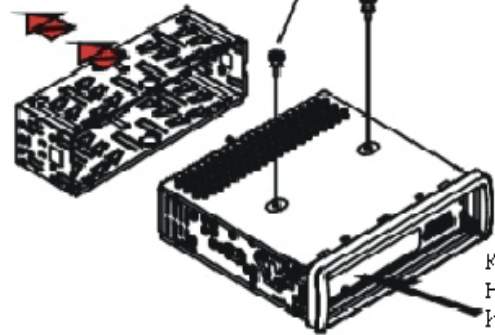
### Способ установки

Шасси имеет корпус с металлическими направляющими. Пожалуйста, проведите соединение проводов источника питания, динамиков и антенны в соответствии с требованиями инструкции. Затем вставьте металлический корпус с направляющими в автомобиль в соответствии с приведенной схемой.



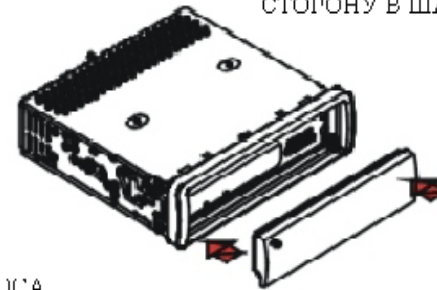


УДАЛИТЕ СКОЛЬЗЯЩИЙ  
МЕТАЛЛИЧЕСКИЙ КОРПУС.

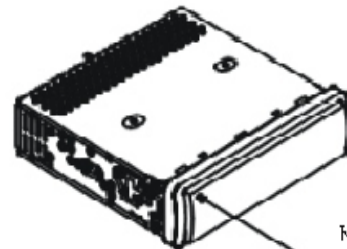


ВЫВЕРНИТЕ 2 ВИНТА ДЛЯ ЗАЩИТЫ  
ПЛЕЕРА ПЕРЕД ЕГО ЭКСПЛУАТАЦИЕЙ.

ДЛЯ УСТАНОВКИ ПЕРЕДНЕЙ ПАНЕЛИ  
ОБРАТНО В ШАССИ УСТРОЙСТВА,  
СНАЧАЛА ВСТАВЬТЕ ПРАВУЮ СТОРОНУ,  
ЕСЛИ ЗАДНЯЯ СТОРОНА УСТАНОВЛЕНА  
ПРАВИЛЬНО, ЗАТЕМ ВТОЛКНИТЕ ЛЕВУЮ  
СТОРОНУ В ШАССИ.



КНОПКА СБРОСА  
НАЖМИТЕ КНОПКУ СБРОСА, ЧТОБЫ ВОССТАНОВИТЬ  
ИЗМЕННЕННОЕ ПРОГРАММИРОВАНИЕ, ЕСЛИ ИНФОРМАЦИЯ НА  
ЭКРАНЕ ПРЕДСТАВЛЯЕТСЯ НЕНАДЛЕЖАЩИМ ОБРАЗОМ И  
НЕКОТОРЫЕ КНОПКИ НЕРАБОТОСПОСОБНЫ.



КНОПКА ОТКРЫВАНИЯ

ЧТОБЫ ВСТАВИТЬ ДИСК В ОТСЕК ИЛИ ВЫНУТЬ ЕГО, ИЛИ СНЯТЬ ПЕРЕДНЮЮ  
ПАНЕЛЬ С ШАССИ, НАЖМИТЕ КНОПКУ ОТКРЫВАНИЯ ДЛЯ СБРОСА ПЕРЕДНЕЙ  
ПАНЕЛИ

## Установка съемной панели

1. Держите панель так, чтобы ее лицевая сторона была направлена на Вас, и установите правую нижнюю часть (А) в кронштейн (В) (рис. 1).
2. Нажмите на панель вправо (рис. 2), установите левую нижнюю часть магнитолы.
3. Поднимите панель. Нажмите на верхнюю часть панели, чтобы она защелкнулась (рис. 3).

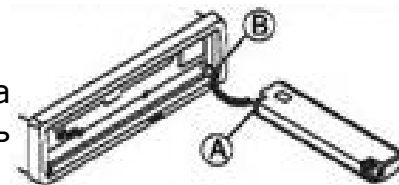


Рис. 1

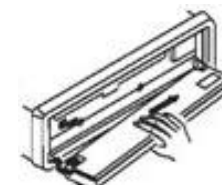


Рис. 2



Рис. 3

## Снятие съемной панели

1. Нажмите на кнопку REL на панели. Панель опустится вниз.
2. Сдвиньте панель в правую сторону и вытяните ее на себя.

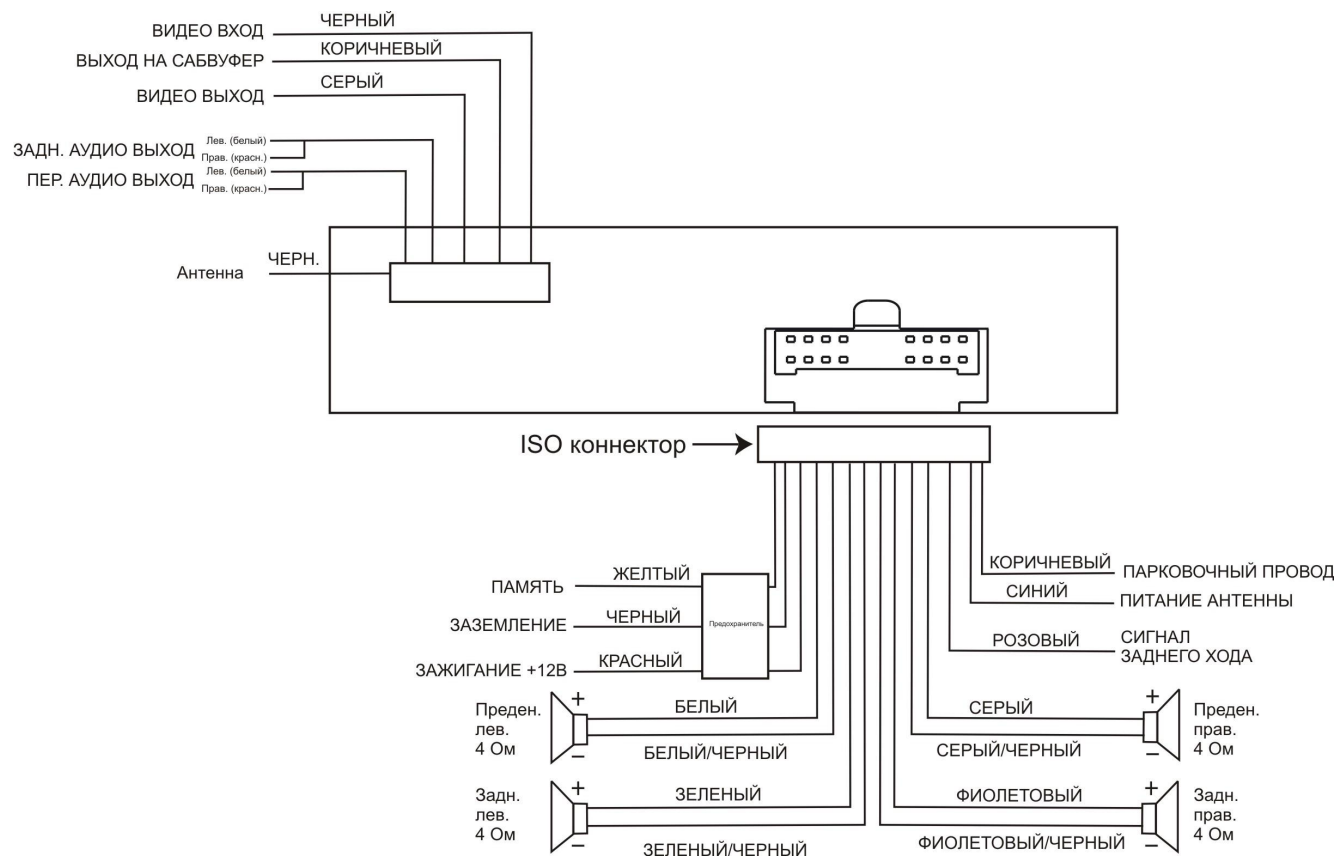
### Внимание:

Панель может повредиться из-за внешних факторов: тряски, ударов. После снятия ее с устройства держите панель в защитном футляре и старайтесь не ронять и не наносить физических повреждений. Очень важным элементом является коннектор на задней части панели. Не нажимайте на нее ногтями, ручками, отвертками.

### Примечание:

Если панель загрязнилась или запылилась, протрите ее сухой чистой тканью. Для чистки разъема в задней части панели используйте тампон, смоченный техническим спиртом.

## Схема подключения

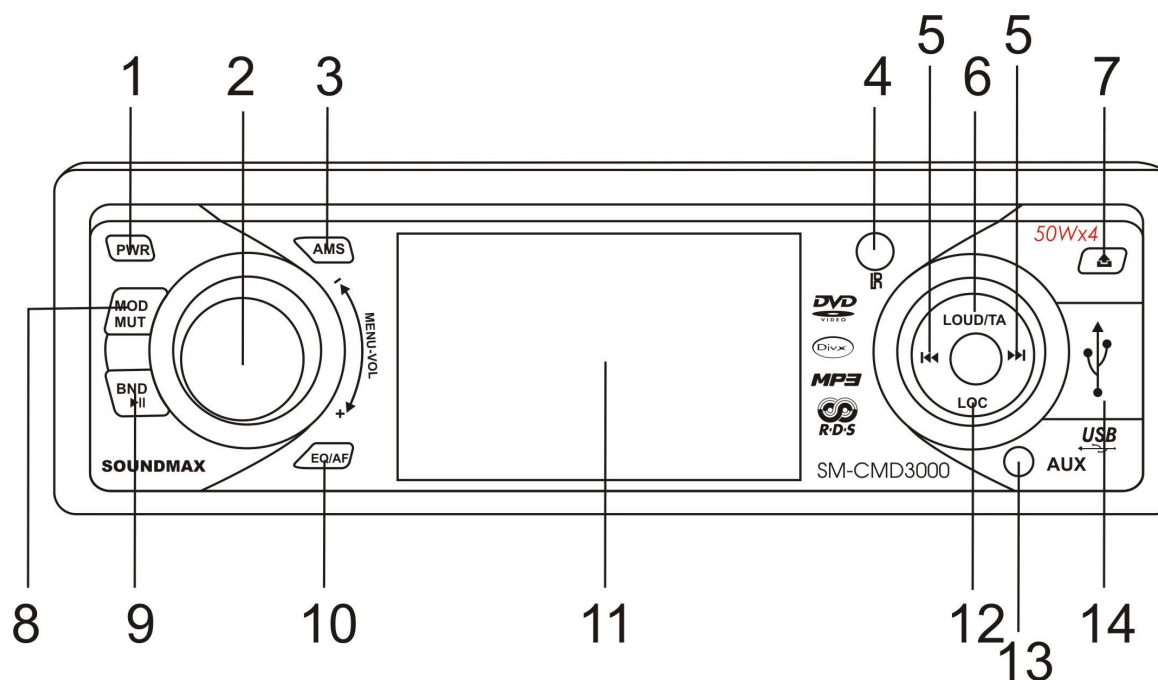


### Примечания:

- Независимо от вида динамиков, следует использовать динамики с сопротивлением, равным 4 Ом для уменьшения искажений при повышенной громкости.
- Запрещается соединять провода авто антенны и заземления между собой.
- Если парковочный провод подсоединен к рычагу стояночного тормоза, изображение на дисплее будет переключаться между стандартным режимом и предупредительной надписью к этой функции. Эта функция отключает видео сигнал во время движения, чтобы водитель не отвлекался от дороги. При активации ручного тормоза видео сигнал снова появляется.

# Органы управления

## Передняя панель

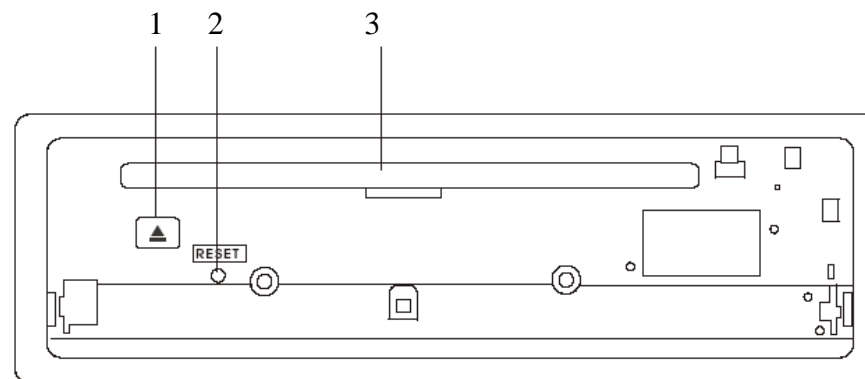


1. КНОПКА PWR  
Нажмите на эту кнопку, чтобы включить устройство. Нажмите снова для выключения его.
2. РЕГУЛЯТОР ГРОМКОСТИ VOLUME/КНОПКА SEL/КНОПКА MENU  
Вращайте регулятор громкости по часовой стрелке, чтобы увеличить уровень громкости. Вращайте против часовой стрелки, чтобы понизить уровень громкости.  
Нажмите на кнопку SEL (регулятор громкости), чтобы выбрать аудио настройки.  
Нажмите и удерживайте кнопку SEL, чтобы выбрать другие настройки.  
Вращайте регулятор громкости, чтобы отрегулировать выбранную настройку.
3. КНОПКА AMS (RPT)  
В режиме RADIO (Радио) нажмите на эту кнопку для сканирования предварительно установленных станций 1 – 6. Нажмите и удерживайте, чтобы включить функцию авто сохранения станций.  
Во время воспроизведения диска нажмите на кнопку, чтобы включить режим повтора.

4. ИК ПОРТ
5. КНОПКИ ◀/▶  
Во время воспроизведения нажмите на кнопку ◀/▶, чтобы перейти к предыдущему/следующему треку.  
В режиме RADIO (Радио) нажмите на кнопку ◀/▶, чтобы вручную настроить радио станции.  
Нажмите и удерживайте кнопку ◀/▶, чтобы начать автоматический поиск радио станций.
6. КНОПКА LOUD/TA  
Нажмите на кнопку, чтобы включить/выключить функцию TA.  
Нажмите и удерживайте кнопку, чтобы включить/выключить функцию LOUD (тонкомпенсации).
7. КНОПКА REL  
Нажмите ее, чтобы откинуть переднюю панель и иметь возможность вставить диск в специальный слот или нажать на кнопку EJECT для извлечения диска.
8. КНОПКА MOD/MUT  
Нажимайте на кнопку, чтобы выбрать режим: RADIO => DISC (тип диска, установленного в устройстве) => USB => AUX.  
Нажмите и удерживайте кнопку, чтобы выключить/включить звук.
9. КНОПКА BND/PLAY/PAUSE  
В режиме RADIO (Радио) нажимайте на эту кнопку, чтобы выбрать диапазон.  
В режиме воспроизведения диска нажимайте на кнопку, чтобы начать воспроизведение или поставить его на паузу.
10. КНОПКА EQ/AF  
Нажмите на кнопку, чтобы активировать/деактивировать функцию AF.  
Нажмите и удерживайте кнопку, чтобы выбрать режим эквалайзера.
11. ЖИДКОКРИСТАЛЛИЧЕСКИЙ ДИСПЛЕЙ
12. КНОПКА LOC  
В режиме Радио нажимайте на кнопку, чтобы выбрать режим локального (Local) или регионального (Reg) приема.
13. РАЗЪЕМ AUX IN
14. РАЗЪЕМ USB

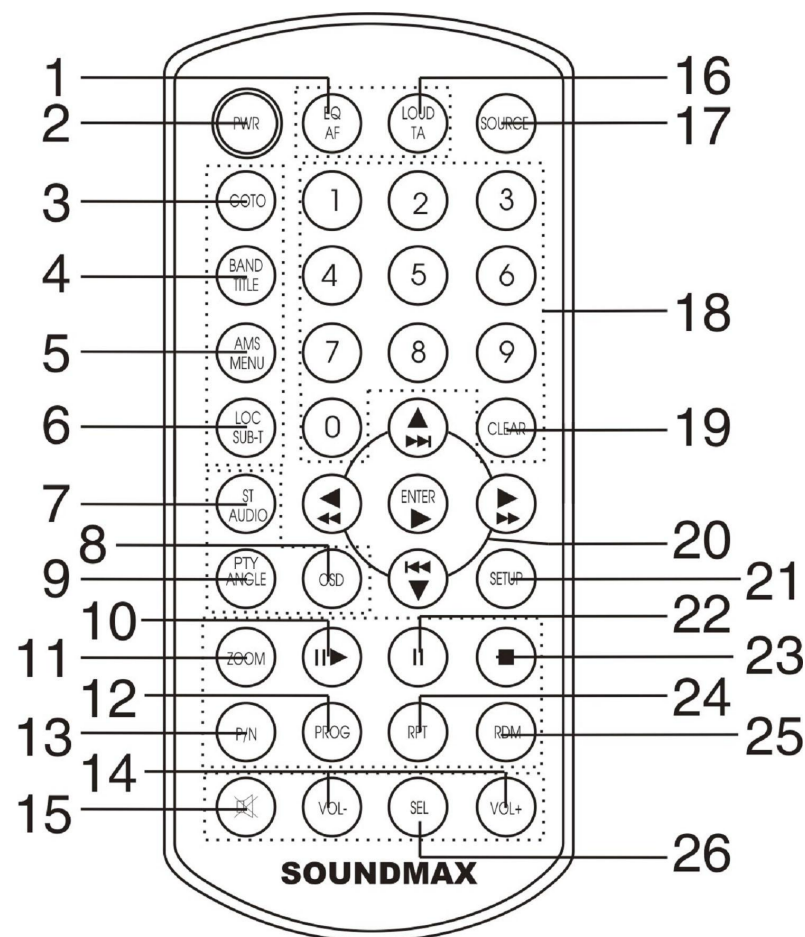
## Внутренняя панель

1. Кнопка EJECT
2. Кнопка RESET
3. Слот для дисков



## Пульт дистанционного управления

1. КНОПКА EQ/AF
2. КНОПКА PWR
3. КНОПКА GOTO
4. КНОПКА BND/TITLE
5. КНОПКА AMS/MENU
6. КНОПКА LOC/SUB-T
7. КНОПКА ST/AUDIO
8. КНОПКА OSD
9. КНОПКА ANGLE (PTY)
10. КНОПКА **II** SLOW
11. КНОПКА ZOOM
12. КНОПКА PROG
13. КНОПКА P/N
14. КНОПКИ VOL +/VOL-
15. КНОПКА MUTE
16. КНОПКА LOUD/TA
17. КНОПКА SOURCE
18. КНОПКА 0~9 NUMBER
19. КНОПКА CLEAR
20. КНОПКИ ENTER/курсора **◀ / ▶ / ▲ / ▼ /**  
**◀◀ / ▶▶** ускоренное воспроизведение/  
**◀◀ / ▶▶** переход к предыдущему/следующему треку
21. КНОПКА SETUP
22. КНОПКА PAUSE
23. КНОПКА STOP
24. КНОПКА RPT
25. КНОПКА RDM
26. КНОПКА SEL



# Основные функции

## Кнопка RESET (сброс)

Нажмите на панели на кнопку REL. Панель откроется. Нажмите на кнопку сброса RESET, расположенную за передней панели. Эта мера необходима в следующих ситуациях: исходная установка устройства после подключения, никакие кнопки не действуют, символы ошибок появляются на дисплее.

## Кнопка включения

Нажмите на кнопку PWR, чтобы включить устройство. Нажмите еще раз, чтобы выключить питание.

**Внимание:** Когда Вы выключаете систему или зажигание автомобиля, громкость звука и радио настройки будут сохранена в памяти устройства, и при включении установки вернуться к сохраненным значениям.

## Регулировка уровня громкости

Вращайте регулятор громкости VOLUME по часовой стрелке, чтобы увеличить уровень громкости. Вращайте против часовой стрелки, чтобы понизить уровень громкости.

ИЛИ нажимайте на кнопку VOL +/- на пульте ДУ, чтобы отрегулировать уровень громкости.

## Регулировка аудио настроек

Нажмите на кнопку SEL (регулятор громкости), чтобы выбрать настройку: VOL (громкость) => BAL (баланс левые/правые динамики) => FAD (баланс задние/передние динамики) => BAS (низкие частоты) => TRE (высокие частоты).

Вращайте регулятор громкости, чтобы отрегулировать каждую настройку.

**ВНИМАНИЕ:** Настройки BASS и TREBLE аннулируют любую настройку эквалайзера.

Каждая настройка отображается на дисплее в течение 5 секунд. Если в течение этих 5 секунд ни одна кнопка не была нажата, дисплей вернется в обычный режим.

## Регулировка других настроек

1. Нажмите и удерживайте в течение 2 секунд кнопку SEL (регулятор громкости) на панели, чтобы войти в меню других.
2. Вращайте регулятор громкости, чтобы выбрать меню: AUDIO (Аудио) => VIDEO (Видео) => SOURCE SEL (Режим работы устройства) => PREFERENCE (Предпочтительные) => EXIT (Выход).

- SOUND MAX**
- *Audio*: Balance, Fader, Bass, Treble, Equalizer, Loudness, Back.
  - *Video*: в этом меню Вы можете отрегулировать: Bright (Яркость), Contrast (Контраст), Color (Цветность), Hue (Оттенок), Wide (Широкий), Default (Настройки по умолчанию), Back (Назад).
  - *Source*: в этом меню Вы можете выбрать режим: Radio (Радио), USB, DVD, AUX, Back (Назад).
  - *Preference*: в этом меню Вы можете отрегулировать: Clock system (Формат отображения времени), Clock adjustment (Настройка часов), Key beep (Звуковой сигнал при нажатии кнопок), Back.
3. Нажмите на SEL (регулятор громкости) на панели или на ENTER на пульте ДУ, чтобы войти в меню регулировки.
  4. Вращайте регулятор громкости или нажимайте на кнопки ▲/▼ на пульте ДУ, чтобы отрегулировать настройку.
  5. Нажмите на SEL или на ENTER, чтобы сохранить настройку.
  6. Выберите пункт BACK, чтобы вернуться к списку настроек.
  7. Выберите пункт EXIT, чтобы выйти из меню.

### **Выбор режима**

Нажимайте на кнопку MOD/MUT на панели или SOURCE на пульте ДУ, чтобы выбрать режим работы устройства: RADIO => DISC (тип диска, установленного в устройстве) (когда диск установлен в магнитоле) => USB (когда USB накопитель установлен в магнитоле) => AUX.

### **Выключение звука**

Нажмите на кнопку MUTE на пульте ДУ или нажмите и удерживайте кнопку MOD/MUT на панели, чтобы выключить звук. Нажмите на кнопку еще раз, чтобы включить звук.

### **Настройка эквалайзера**

Нажимайте на кнопку EQ/AF, чтобы выбрать режим эквалайзера: POP => CLASSIC => ROCK => EQ OFF (Выкл.)

### **Настройка тонкомпенсации (Loud)**

Нажмите на кнопку LOUD/TA, чтобы включить функцию LOUD. На дисплее появится символ "LOUD". Нажмите на кнопку еще раз, чтобы выключить функцию.

### **Отмена ввода**

При неверном вводе значения нажмите на кнопку CLEAR, чтобы отменить действие.



### **Формат изображения**

Во время воспроизведения видео ролика нажмите и удерживайте в течение 2 секунд кнопку ZOOM, чтобы выбрать формат изображения: 4:3 или 16:9.

### **Выбор стандарта телевидения**

Нажимайте на кнопку P/N на пульте ДУ, чтобы выбрать стандарт телевидения: PAL, NTSC, AUTO (Авто).

### **Принудительное извлечение диска**

Если при воспроизведении диск не извлекается из устройства, нажмите кнопку MOD/MUT на панели, затем нажмите и удерживайте в течение 3 секунд кнопку EJECT для принудительного извлечения диска.

## Функции радио

**Внимание:** Сервис RDS (Система радио данных) доступен не во всех регионах. Имейте ввиду, что если услуга RDS не доступна в Вашем регионе, то данная функция не будет работать.

### **Выбор диапазона**

Нажимайте на кнопку BND/TITLE, чтобы выбрать диапазон: FM1, FM2, FM3, FM4 (OIRT), AM1, AM2.

### **Ручной/автоматический поиск радиостанций**

- Ручной поиск: Нажимайте на кнопку « $\ll/\gg$ », чтобы вручную увеличить или уменьшить частоту.
- Автоматический поиск: Нажмите и удерживайте кнопку « $\ll/\gg$ », чтобы начать автоматический поиск. Поиск прекратится при приеме первой станции с сильным сигналом, при этом начнется ее воспроизведение. Нажмите еще раз, чтобы найти следующую станцию.

### **Сохранение и вызов радио станций**

Вы можете хранить и воспроизводить 6 радио станций в каждом из 6 диапазонов.

- Чтобы сохранить станцию:
- Выберите диапазон (если нужно).
- Выберите станцию.
- Нажмите и удерживайте в течение двух секунд кнопку с номером 1~6, под которым Вы бы хотели сохранить эту станцию.
- Чтобы вызвать станцию:
- Выберите диапазон (если нужно).
- Нажмите на кнопку с номером нужной сохраненной станции 1~6 или на кнопки курсора  $\blacktriangle/\blacktriangledown$  на пульте ДУ.

### **Прямой ввод номера сохраненной станции**

Нажмите на кнопку GOTO. На дисплее появится надпись «FR». Введите номер частоты, которую хотите принять.

### **Функция автоматического сохранения станций в памяти**

Нажмите и удерживайте кнопку AMS в течение 3 секунд, 6 самых сильных доступных станций будут автоматически сохранены в памяти кнопок 1~6. Чтобы остановить автоматическое сохранение, снова нажмите на кнопку.

### **Функция автоматического предпрослушивания станций**

Нажмите на кнопку AMS, чтобы прослушать все сохраненные в текущем диапазоне станции в течение 7 секунд. Во время прослушивания номер каждой станции будет мигать на дисплее. Чтобы остановить прослушивание, снова нажмите на кнопку.

### **Цифровые кнопки**

В режиме радио с помощью цифровых кнопок пульта ДУ (1-6) Вы можете сохранить в памяти устройства нужные программы (до 24 станций FM, по 6 для FM1, FM2, FM3 и FM4) и до 12 станций AM (по 6 для AM1/MW и AM2/LW). Для этого при приеме сигнала радиостанции нажмите и удерживайте цифровую кнопку до тех пор, пока на дисплее не появится надпись CH, указывающая на то, что программа сохранена под соответствующей цифровой кнопкой.

### **Режим Stereo/Моно**

Нажимайте на кнопку ST/AUDIO на пульте ДУ, чтобы выбрать режим STEREO или MONO. В режиме MONO прием сигнала с дальних станций будет лучше.

### **Режим Local/Distant**

Нажимайте на кнопку LOC/SUB-T на пульте ДУ или на LOC на панели, чтобы выбрать режим LOCAL или DISTANT (DX) (режим местной или удаленной чувствительности тюнера).

### **Функция TA (Программы о дорожном движении)**

- Нажмите на кнопку LOUD/TA на пульте ДУ, чтобы включить (ON) или выключить (OFF) режим TA.
- При включенном режиме, когда станция начнет трансляцию программы о дорожном движении, устройство автоматически переключится на эту станцию. Если устройство находится в режиме воспроизведения дисков, то автоматически переключится на режим радио.

### **Функция AF (Альтернативные частоты)**

Нажмите на кнопку EQ/AF, чтобы включить (ON) или выключить (OFF) режим AF. На дисплее появится надпись AF.

В активном режиме AF радио постоянно проверяет силу сигнала альтернативных частот, на которых может транслироваться RDS программа. Если сигнал слабый или исчезает, тюнер будет автоматически искать другую частоту с этой программой.

По умолчанию режим ON (вкл.)

**Функция PTY (Тип программы)**

1. Нажмите на кнопку ANGLE на пульте ДУ, чтобы включить функцию PTY и выбрать группу программ: POP M (музыкальная группа) => NEWS (информационная группа) => EDUCATE (образовательная группа) => выкл.
2. Нажмите и удерживайте в течение 2 секунд кнопку ANGLE, чтобы выбрать тип программы в соответствии с таблицей:

|         |   |
|---------|---|
| POP M   | Rock M/ Easy M/ Light M/ Classic/ Other M/ Jazz/ Country/ Nation M/ Oldies/ Folk M/ Drama |
| NEWS    | Affairs/ Info/ Weather/ Finance/ Sport/ Varied/ Culture/ Social travel/ Leisure/ Document |
| EDUCATE | Science/ Children/ Religion/ Phone in   |

3. Начнется автоматический поиск выбранного типа программы.
4. Нажмите на кнопку PTY еще раз, чтобы выключить функцию PTY.

**Отображение информации на дисплее**

Нажмите на кнопку OSD, чтобы отобразить меню RDS на дисплее. Нажмите на кнопку и удерживайте в течение 2 секунд, чтобы отобразить информацию о текущем режиме.

# Воспроизведение файлов с DVD/CD дисков

## Используемая терминология

### **РВС (управление воспроизведением)**

Управление воспроизведением – это меню, записанное на видео компакт-дисках. Использование экранного меню видео компакт-диска с РВС, позволяет Вам пользоваться простыми интерактивными программами с функциями поиска. Вы также можете просматривать неподвижные изображения с высоким разрешением.

### **Заголовок**

Большой объем диска позволяет записывать несколько фильмов или роликов. Например, если 1 диск содержит 3 разных фильма (ролика), они подразделяются как Заголовок 1, Заголовок 2 и Заголовок 3. Это позволяет Вам пользоваться удобными функциями поиска.

### **Глава**

Любой заголовок может состоять из отдельных блоков, каждый из которых можно просматривать отдельно. Такой блок называется главой. В каждой главе должно содержаться не меньше одного трека.

### **Трек**

Трек – это дорожка, музыкальная или видео композиция. Например, песня, записанная на диске, является треком.

## Диски для воспроизведения

- Это устройство может воспроизводить разновидности цифровых дисков: CD/DVD/DVD±R/CD-R/-RW.
- Совместимо с форматами: DVD/SVCD/VCD/HDСD/MP3/WMA/CDDA/JPEG/MPEG4/DivX.
- Поддерживаются следующие типы файлов:
  - Аудио файлы: MP3 (\*.mp3)  
WMA (\*.wma)
  - Видео файлы: MPEG 2 (\*.vob)  
MPEG 1 (\*.dat)
  - Файлы с изображениями: JPEG (\*.jpg)
- ISO 9660 или ISO 9660 + формат Joliet - максимум 30 знаков.

- Поддерживаемая частота дискретизации для MP3 диска: от 8 кГц до 48 кГц (предпочтительно 44,1 кГц).
- Поддерживаемые скорости цифрового потока MP3 диска: 32 - 320 Кб/сек (предпочтительно 128 Кб/сек).
- НЕ ПОДДЕРЖИВАЮТСЯ следующие форматы: \*.ACC, \*.DLF, \*.M3U, \*.PLS, MP3 PRO, файлы с DRM.
- Диски с открытой сессией записи НЕ ПОДДЕРЖИВАЮТСЯ.

### **Установка устройств USB**

Установите USB устройство в слот USB. Магнитола автоматически перейдет в режим USB.

Начнется воспроизведение первого трека установленного устройства.

### **Примечания по USB разъему:**

- Поддержка FAT 12/FAT 16/FAT 32
- FAT 12/16 (поддержка 200 папок, 500 файлов),
- FAT 32 (поддержка 200 папок, 500 файлов).
- Имя файла: 32 байта/имя папки: 32 байта.
- Тэг (id3tag ver 2.0)
- Имя/Исполнитель/Альбом: поддержка 32 байтов.
- Поддержка формата USB 2.0. Емкость: 8 Мб ~ 1 Гб.

### **Загрузка диска**

- Нажмите на кнопку REL, чтобы открыть панель. Установите диск в слот маркированной стороной вверх.
- Нажмите на кнопку EJECT на внутренней панели, чтобы вынуть диск.

### **Воспроизведение/Пауза**

- Нажмите на кнопку PLAY/PAUSE, чтобы начать воспроизведение. Чтобы обеспечить высокое качество воспроизведения, дождитесь, пока плеер закончит читать диск, а затем начинайте воспроизведение.
- Во время воспроизведения нажмите на кнопку PLAY/PAUSE, режим паузы активируется. Нажмите на кнопку PLAY/PAUSE еще раз, чтобы продолжить воспроизведение.

### **Остановка воспроизведения**

Для MP3/MPEG-4/USB для остановки воспроизведения нажмите на кнопку STOP на пульте ДУ. Нажмите на PLAY/PAUSE, чтобы продолжить воспроизведение.

Для VCD/CD дисков нажмите на кнопку STOP на пульте ДУ, чтобы войти в режим паузы. Нажмите на PLAY/PAUSE, чтобы начать воспроизведение. Нажмите на STOP дважды, чтобы остановить воспроизведение.

### **Использование кнопок с цифрами**

Для ввода цифровых значений используйте кнопки с цифрами 0-9.

### **Переход к предыдущему или следующему треку**

Для DVD дисков во время воспроизведения нажмите на кнопку ►, чтобы начать воспроизведение следующего трека.

Нажмите на ◀, чтобы начать воспроизведение текущего трека с начала. Нажмите на кнопку и удерживайте в течение 3 секунд, чтобы начать воспроизведение предыдущего трека.

Для MP3/USB для перехода к предыдущему/следующему треку используйте кнопки курсора ▲/▼ на пульте ДУ.

Для CD/VCD/MPEG-4 дисков во время воспроизведения нажмите на кнопку ►, чтобы начать воспроизведение следующего трека.

Нажмите на ◀, чтобы начать воспроизведение предыдущего трека.

### **Ускоренное воспроизведение**

Во время воспроизведения нажмите нажимайте на кнопки ◀/► на пульте ДУ, чтобы выбрать скорость ускоренного воспроизведения назад или вперед: X2 => X4 => X8 => X16.

### **Замедленное воспроизведение**

Во время воспроизведения нажимайте на кнопку SLOW на пульте ДУ, чтобы выбрать скорость замедленного воспроизведения: 1/2, 1/4, 1/8, Нормальное воспроизведение.

### **Повтор воспроизведения**

Во время воспроизведения трека нажмите на кнопку RPT на пульте ДУ или на AMS на панели, чтобы начать повторное воспроизведение: Главы => Заголовка (раздела) => выкл.

### **Случайное воспроизведение**

Во время воспроизведения трека нажмите на кнопку RDM на пульте ДУ, чтобы начать случайное воспроизведение всех треков. Нажмите еще раз, чтобы отменить функцию.

#### **Изменение угла просмотра (только для DVD дисков)**

Если DVD-диск поддерживает воспроизведение с различных точек съемки, нажмите на кнопку ANGLE на пульте ДУ для воспроизведения изображений с различных точек съемки. Если диск не поддерживает многоугловое воспроизведение, эта функция не будет работать.

#### **Выбор языка аудио (только для DVD дисков)**

Если DVD-диск поддерживает несколько языков аудио, нажимайте на кнопку ST/AUDIO на пульте ДУ, чтобы выбрать язык аудио.

#### **Выбор канала (для CD/VCD дисков)**

Нажимайте на кнопку ST/AUDIO на пульте ДУ, чтобы выбрать канал: Left channel (левый канал) => Right channel (правый канал) => Stereo (стерео).

#### **Выбор языка субтитров (только для DVD дисков)**

Если DVD-диск поддерживает несколько языков субтитров, нажимайте на кнопку LOC/SUB-T на пульте ДУ, чтобы выбрать язык.

#### **Изменение масштаба изображения (для DVD/VCD дисков)**

Нажмите на кнопку ZOOM на пульте ДУ. Изображение при каждом нажатии будет увеличиваться в порядке: X2 => X3 => X4 => Нормально. Нажимайте на кнопки курсора, чтобы перемещаться по изображению.

#### **Отображение информации на экране**

Нажимайте на кнопку OSD на пульте ДУ, чтобы отобразить на экране информацию о треке/главе и времени воспроизведения в следующем порядке: истекшее время трека – оставшееся время трека – истекшее время главы – оставшееся время главы – отключить отображение. Для отображения текущей информации нажмите и удерживайте кнопку OSD на пульте ДУ.

#### **Работа с меню заголовков DVD диска**

- Нажмите на кнопку BAND/TITLE на пульте ДУ, чтобы отобразить меню заголовков на дисплее.



- С помощью кнопок ◀/▶/▲/▼ на пульте ДУ Вы можете выбрать нужный заголовок. ИЛИ введите номер заголовка, который хотите просмотреть, при помощи кнопок с цифрами. Воспроизведение начнется автоматически.
- Нажмите на кнопку ENTER или на PLAY/PAUSE, чтобы начать воспроизведение.

### **PBC (управление воспроизведением) (только для VCD дисков)**

Если вы вставляете VCD с функцией PBC, автоматически начинается воспроизведение с начала 1-ого трека.

1. Нажмите на кнопку PBC на пульте ДУ, чтобы во время воспроизведения активизировать интерактивное меню на экране.
2. Если меню состоит из списка заголовков, Вы можете непосредственно выбирать нужные при помощи кнопок с цифрами или кнопок ▲/▼ на пульте ДУ.
3. При вводе номера воспроизведение начнется автоматически, при выборе заголовка нажмите на кнопку PLAY/PAUSE, чтобы начать его воспроизведение.
4. Снова нажмите PBC, чтобы выйти из меню.

### **Функция поиска**

1. Во время воспроизведения DVD/VCD диска нажмите на кнопку GOTO на пульте ДУ, чтобы открыть меню поиска.
2. Нажимайте на кнопку курсора ▲/▼/◀/▶, чтобы выбрать пункт: Title (Заголовок) => Chapter (Глава) => Audio (Язык аудио) => Subtitle (Язык субтитров).
3. Нажмите на ENTER, чтобы выделить пункт.
4. При помощи кнопок с цифрами введите номер заголовка/главы, с которого хотите продолжить воспроизведение. (Или при помощи кнопок курсора ▲/▼ выделите язык аудио или субтитров).
5. Воспроизведение с выбранного момента времени начнется автоматически в маленьком окне.
6. Нажмите на кнопку GOTO, чтобы продолжить воспроизведение в нормальном режиме.

### **Программирование списка воспроизведения**

Во время воспроизведения нажмите на PROG на пульте ДУ, чтобы открыть меню программирования воспроизведения. При помощи кнопок курсора и кнопок с цифрами задайте последовательность треков для воспроизведения.

Выберите пункт START и нажмите на ENTER, чтобы начать воспроизведение.

Выберите пункт «**◀/▶**» и нажмите на ENTER, чтобы перейти к предыдущей/следующей странице.  
Чтобы выйти из окна программирования выберите пункт EXIT и нажмите на ENTER.  
Чтобы завершить программирование выберите пункт STOP и нажмите на ENTER.

### **Операции с аудио/видео файлами/изображениями**

Установите диск со смешанными файлами (аудио, видео файлами, изображениями). Во время воспроизведения аудио/видео файла или изображения, на экране появятся категория, дерево папок, список треков в одной из них, название текущего трека. Текущий пункт будет подсвечен.

### **Выбор файла**

В режимах MP3/MPEG-4/USB остановите воспроизведение, и нажимайте кнопки «**◀/▶**» чтобы выбрать файл или документ. Нажмите кнопку ENTER чтобы запустить файл.

# Обзор MP3

## Замечания по MP3

- MP3 это краткое обозначение аудио слоя MPEG 3 и относится к стандарту технологии сжатия звука.
- Данное изделие позволяет воспроизводить файлы MP3 на дисках CD-ROM, CD-R или CD-RW.
- Изделие может считывать файлы MP3, записанные в формате, соответствующем ISO 9660. Однако оно не поддерживает данные MP3, записанные методом пакетной записи.
- Изделие не может считывать файлы MP3, которые имеют расширение файла, отличающееся от ".mp3".
- Если вы воспроизводите не MP3 файл, который имеет расширение ".mp3", вы можете слышать некоторые шумы.
- В данном руководстве мы рассматриваем файлы, называемые "файлами MP3" и "папкой", а в технологии PC "дорожкой" и "альбомом" соответственно.
- Максимальное количество уровней директории равно 8, включая корневую директорию. Максимальное количество файлов и папок на диске 256.
- Изделие может не воспроизводить дорожки в последовательном порядке.
- Изделие воспроизводит только аудио треки, если диск содержит как аудио треки, так и файлы MP3.
- При воспроизведении диска 8 килобит или VBR, истекшее время воспроизведения в окне дисплея будет неправильным, а также ознакомительное воспроизведение может не действовать надлежащим образом. VBR: Переменная скорость передачи битов.

## Замечание по созданию собственных CD-R или CD-RW, содержащих файлы MP3

- Для получения высокого качества звука мы рекомендуем преобразовывать файлы MP3 с эталонной частотой 44,1 кГц и фиксированным битрейтом 128 кбит/сек. НЕ сохраняйте более 256 файлов MP3 на диске.
- Для формата, совместимого с ISO 9660, максимально допустимая глубина вложенных папок равняется 8, включая корневую директорию (папку).
- При использовании диска CD-R воспроизведение возможно только для дисков, которые были закончены. Убедитесь, что при записи MP3 CD-R или CD-RW были отформатированы как диски данных, а НЕ как аудио диски.

- Вы не должны записывать не-MP3 файлы или ненужные папки вместе с файлами MP3 на диск, в противном случае потребуется много времени, пока изделие начнет воспроизводить файлы MP3.
  - На некоторых CD-R или CD-RW данные могут не быть записаны надлежащим образом в зависимости от качества их производства. В этом случае данные могут быть воспроизведены не надлежащим образом. Рекомендуются диски CD-R или CD-RW высокого качества.
  - Имя альбома или композиции может содержать до 16 символов. Необходима версия 1.x ID3TAG.
- Помните, что изделие может не воспроизводить треки в том порядке, в котором они записаны на диске.

# Настройка системы

1. Нажмите и удерживайте кнопку SETUP на пульте ДУ, чтобы войти в меню настройки системы. Нажмите кнопку SETUP ещё раз для выхода из меню.
2. С помощью кнопок ◀/▶ выберите страницу: Главная страница, Установка DOLBY, Дополнительные настройки, Выход.
3. Нажмите кнопку ▼ для перехода на выбранную страницу.
4. Используйте кнопки ▲ и ▼ для выбора опций, которые вы хотите настроить.
5. Нажмите ▶ для перехода к списку настроек. С помощью кнопок ▲ и ▼ выберите настройку и нажмите ENTER или ◀ для подтверждения и возврата к списку опций.
6. Для возврата к меню настройки нажмите кнопку ◀.

**Примечание:** Введенные установки сохраняются и после выключения питания.

## Главная страница

### • **ДИСПЛЕЙ**

**Формат 4:3 PS:** Когда домашний кинотеатр подключен к обычному телевизору, широкоэкранный образ воспроизводится на всем экране, но часть его обрезается.

**Формат 4:3 LB:** Когда домашний кинотеатр подключен к обычному телевизору, широкоэкранный образ воспроизводится так, что сверху и снизу появляются черные полосы.

**Формат 16:9:** Используйте этот пункт, если домашний кинотеатр подключен к широкоэкранному телевизору.

### • **УГОЛ**

Некоторые фильмы на DVD дисках могут быть записаны с различными углами съемки – объект, сцена снимается под разными углами камеры.

Если режим включен, при воспроизведении DVD диска, записанного под разными углами камеры, на экране отображается значок угла камеры.

### • **ЯЗЫК МЕНЮ**

Выберите язык экранного меню.

### • **ЗАГОЛОВКИ**

Эта функция не работает, если диск не имеет заголовков. Если функция заголовка выключена, нажмите кнопку SUBTITLE на пульте ДУ для включения функции. Установка по умолчанию - ВКЛ.



## • СКРИНСЕЙВЕР

Если функция СКРИНСЕЙВЕРА включена, плеер включен и диск не воспроизводится в течение нескольких минут, то на экране появляется движущаяся заставка.

### Установка DOLBY

#### • ДВОЙНОЙ МОНО

Выберите канал аудио сигнала:

**Наст. стерео:** выберите эту настройку, если хотите воспроизвести 5,1-канальный звук, при этом сигнал будет выходить из левого и правого динамиков.

**Моно лев.:** сигнал будет выходить только из левого динамика.

**Моно прав.:** сигнал будет выходить только из правого динамика.

**Смеш. моно:** моно сигнал воспроизводится через оба динамика.

#### • ДИНАМИЧЕСКИЙ ДИАПАЗОН

При выборе пункта FULL аудио сигнал будет минимальным.

При выборе OFF (ВЫКЛ.) аудио сигнал будет максимальным.

При помощи кнопок ▲, ▼ настройте динамический диапазон.



### Дополнительные настройки

#### • РЕЖИМ ТВ

Ваш плеер подходит для всех разновидностей телевизионных систем.

PAL: эта система используется в Китае, Европе, Гонконге и пр.

NTSC: эта система используется в США, Тайване, Японии и пр.

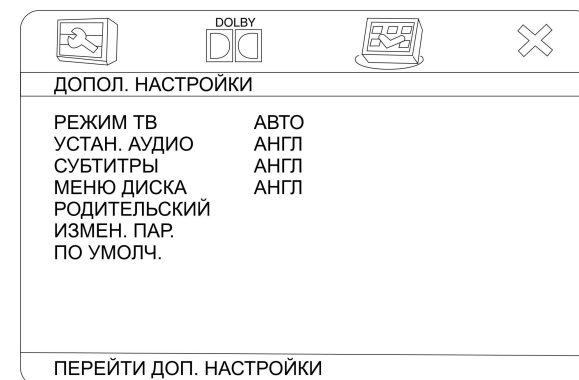
**Авто:** система ТВ автоматически переключается в соответствии с системой, в которой записан диск.

#### • УСТАНОВКИ ЯЗЫКА АУДИО, СУБТИТРОВ, МЕНЮ ДИСКА

Эти параметры могут быть изначально установлены в соответствии с Вашими предпочтениями. Если установленные Вами параметры поддерживаются содержанием диска, то воспроизведение будет происходить с учетом Ваших настроек.

Иначе будут использоваться установки диска, заданные по умолчанию.

Вы также можете изменить язык аудио нажатием кнопки ST/AUDIO на пульте ДУ, язык субтитров – нажатием кнопки LOC/SUB-T на пульте ДУ.



- **РОДИТЕЛЬСКИЙ**

Эта функция предназначена для контроля родителями содержимого дисков при их воспроизведении и защищает Ваших детей от сцен насилия и эротики. Диск, уровень которого выше, чем установленный с помощью данной функции, не будет воспроизведен.

Если установлен ПАРОЛЬ, при выборе уровня родительского контроля, введите его в специальное поле.

Выберите уровень контроля:

1 - Максимальный контроль.

8 - Минимальный контроль.

По умолчанию контроль выключен.

- **ИЗМЕНЕНИЕ ПАРОЛЯ**

Для того, чтобы воспользоваться функцией РОДИТЕЛЬСКОГО КОНТРОЛЯ, нужно ввести пароль (по умолчанию 8888), затем нажать кнопку ENTER. Для того, чтобы изменить пароль, при помощи кнопок курсора выберите пункт СМЕНА ПАРОЛЯ.

Сначала введите 8888, затем новый (4 символа). Затем еще раз введите новый пароль, чтобы подтвердить настройку. После изменения пароля заводской пароль по умолчанию (8888) не будет функционировать.

Нажмите на кнопку ENTER, чтобы сохранить новый пароль.

- **ПО УМОЛЧАНИЮ**

Возвращает функциям заводские настройки.

**Выход**

Выберите страницу ВЫХОД, чтобы выйти из меню настройки системы.

СТАРЫЙ ПАРОЛЬ  
НОВЫЙ ПАРОЛЬ  
ПОДТВЕРД. ПАРОЛЬ

ОК

ВЫХОД

## Система защиты от кражи

Данное изделие снабжено сдвигаемой съемной и маскирующей панелью. Панель можно снять и взять с собой, что помогает избежать воровства.

### Подсоединение съемной панели

#### Снятие панели

1. Нажмите и удерживайте кнопку PWR, чтобы выключить питание устройства.
2. Нажмите на кнопку REL на панели. Панель опустится вниз.
3. Сдвиньте панель вправо и вытяните ее на себя.
4. Поместите панель в портфель и возьмите ее с собой, когда вы покидаете автомобиль.

#### Подсоединение съемной панели

1. Держите панель так, чтобы ее лицевая сторона была направлена на Вас, и установите правую нижнюю часть в кронштейн.
2. Нажмите на панель вправо, установите левую нижнюю часть магнитолы.
3. Поднимите панель. Нажмите на верхнюю часть панели, чтобы она защелкнулась (рис. 3).

#### Съем изделия

1. Снимите панель.
2. Вставьте два Т-образных ключа в отверстие лицевой стороны, пока не услышите щелчок.
3. Выньте изделие (рис. 1).

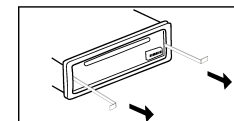


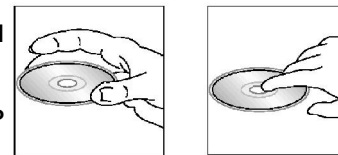
Рис. 1



## Обращение с компакт-дисками

Грязные, поцарапанные или погнутые диски могут вызвать искажение звука или шумы

Держите диск только за края (как показано на рисунке). Чтобы обеспечить чистоту, не прикасайтесь к его поверхности.



Диски должны храниться в их чехлах после использования, чтобы не поцарапать их поверхность.

Не подвергайте диски действию прямого солнечного света, повышенной влажности, повышенным температурам или действию пыли.

Продолжительное влияние предельных температур может изогнуть диск (например, пребывание дисков в автомобиле в летнее время).

Не царапайте и не пишите что-либо на любой стороне диска. Острые пишущие инструменты или чернила, используемые в них, могут повредить поверхность диска.

НЕ ПРИКАСАЙТЕСЬ к стороне, не имеющей маркировки.

НЕ ПРИКРЕПЛЯЙТЕ какую-либо печать, этикетку или лист предохранения данных к любой стороне диска.

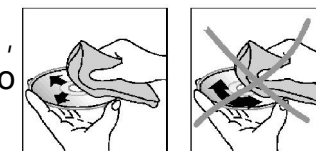
Данное изделие не может воспроизводить CD размером 3 дюйма (8 см).

Никогда не вставляйте CD размером 3 дюйма, установленный в адаптер, или CD неправильной формы. Изделие не сможет выбросить его, что приведет к сбою.

## Чистка и уход

### Чистка корпуса

Протирайте мягкой тканью. Если корпус очень загрязнен (не мочите его), используйте ткань, слегка смоченную мыльным раствором, и затем вытрите его сухой тканью.



### Чистка дисков

а) Отпечатки пальцев должны быть тщательно стерты с поверхности диска мягкой тканью. В отличие от обычных пластинок, компакт-диски не имеют канавок для сбора пыли и микроскопических частиц грязи, поэтому осторожно вытирайте их мягкой тканью, чтобы убрать частицы грязи. Вытирайте прямолинейным движением от центра к краю.

б) Никогда не используйте растворитель, бензин, очиститель пластинок или антистатический аэрозоль для чистки дисков. Такие химические вещества могут повредить его пластиковые поверхности.

# Руководство по устранению неисправностей

| Неисправность                     | Причина  | Решение   |
|-----------------------------------|--|---|
| Нет питания                       | Зажигание машины не включено.<br><br>Сгорел предохранитель.  | Если источник питания подключен надлежащим образом к выключателю машины, установите ключ зажигания в положение «АСС».<br>Замените предохранитель. |
| Невозможно загрузить диск         | В плеер установлен CD диск.  | Удалите диск из плеера, затем установите новый.   |
| Невозможно считать диск           | Диск установлен верхней стороной вниз.<br><br>Компакт диск загрязнен или имеет дефект.<br><br>Температура внутри машины очень высокая. | Установите компакт диск стороной с этикеткой вверх.<br>Очистите диск или установите новый.<br>Подождите пока температура не станет нормальной.    |
| Нет звука                         | Звук установлен на минимум.<br><br>Кабель не подключен надлежащим образом.   | Отрегулируйте звук до необходимого уровня.<br>Проверьте подключение кабеля.   |
| Не действуют функциональные ключи | Встроенный микрокомпьютер не работает надлежащим образом из-за шумов.<br>Передняя панель не установлена на свое место.                 | Нажмите кнопку RESET.<br><br>Повторно установите переднюю панель.   |
| Звук пропадает                    | Угол установки более 30 градусов.<br><br>Компакт диск загрязнен или имеет дефект.  | Отрегулируйте угол установки, установив его менее 30 градусов.<br>Очистите диск или установите новый.   |
| Радио не работает.                | Антенный кабель не подключен.  | Вставьте антенный кабель надежно.   |

|   |                        |                           |
|---|------------------------|---------------------------|
| Не работает автоматический выбор радиостанции | Сигналы слишком слабы. | Выберите станцию вручную. |
|---|------------------------|---------------------------|

## Технические характеристики

|   |  |
|---|--|
| <b>Общие</b> Источник питания             | 12 В, постоянное                               |
| Потребляемый ток                          | макс. 14 А                                     |
| Максимальная выходная мощность            | 50 Вт x 4 канала                               |
| Предохранитель                            | 15 А   |
| Размеры (Д x Ш x В)                       | 192 x 178 x 50 мм                              |
| DSP процессор                             | Classic, Pop, Rock, Flat                       |
| <b>Сtereo FM радио</b> Частотный диапазон | 65.0 – 74.0 / 87.5 – 108.0 МГц                 |
| Используемая чувствительность             | 3 мкВ  |
| Память цифрового тюнера                   | 24   |
| <b>AM радио</b> Частотный диапазон        | 522-1620 кГц                                   |
| Используемая чувствительность             | 40 дБ  |
| Память цифрового тюнера                   | 12   |
| <b>Аудио Система</b>                      | Дисковая аудио система                         |
| Воспроизведение дисков:                   | CD/DVD/DVD±R/±RW CD-R/-RW                      |
| Воспроизведение форматов:                 | DVD/SVCD/VCD/HDCD/MP3/WMA/CDDA/JPEG/MPEG4/DivX |
| Частотные характеристики                  | 20 Гц - 20 кГц ± 5 дБ                          |
| Отношение сигнал/шум CD                   | 68 дБ (1 кГц)                                  |
| Количество каналов                        | 2 стерео                                       |
| <b>Линия выход</b> Выход                  | CD макс. 2000 мВ                               |

Технические характеристики могут быть изменены заводом-изготовителем без предварительного уведомления.

Указанные масса и геометрические размеры имеют приблизительные значения.



АИ49