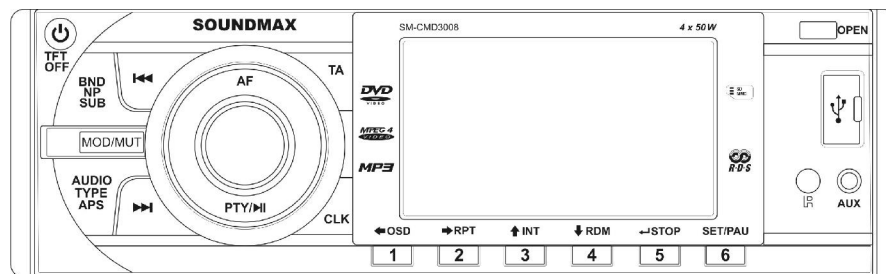
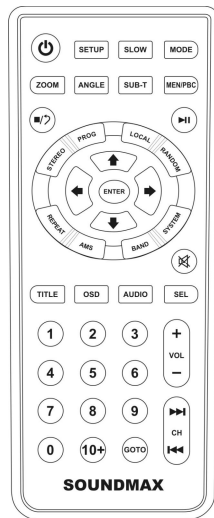


## SM-CMD3008



MULTIMEDIA DVD/CD/MP3 RECEIVER with built-in 3" TFT display  
Instruction manual

**МУЛЬТИМЕДИЙНЫЙ DVD/CD/MP3-РЕСИВЕР**  
**со встроенным 3" TFT-дисплеем**

Руководство по эксплуатации

Dear customer!

Thank you for purchasing our product. For safety, it is strongly recommended to read this manual carefully before connecting, operating and/or adjusting the product and keep the manual for reference in the future.

## Table of contents

---

Table of contents .....	2
Important safeguards .....	3
Accessories .....	4
Installation/connection .....	5
Unit controls .....	11
General operations .....	15
Radio operations .....	18
Disc operations .....	22
USB/SD/MMC operation .....	26
Setup menu .....	27
Handling and cleaning discs .....	29
Troubleshooting guide .....	30
Specification .....	31

## Important safeguards

---

- Read carefully through the manual to familiarize yourselves with this unit.
- Keep this manual handy as a reference for operating procedures and precautions. Do not allow persons who have not read through this manual to use this unit.
- “CLASS 1 LASER PRODUCT”. This product contains a laser diode of higher class than 1. Laser beams from the optical pickup are dangerous to the eyes. To ensure continued safety, do not remove any covers or attempt to gain access to the inside of the product. Refer all servicing to qualified personnel.
- Do not allow this unit to come into contact with liquids. Electrical shock could result. Also, damage to this unit, smoke, and overheating could result from contact with liquids or dust. Protect this unit from moisture.
- Make sure that foreign objects do not get inside the unit; they may cause malfunctions, or create safety hazards such as electrical shock or laser beam exposure.
- The beginning of operation is the moment of the unit installation. Before use the device in winter it is recommended to heat up the passenger compartment during 20 seconds or to the operation temperature.
- Using the unit with the temperature that goes beyond the operation temperature greatly decreases the operation resource of the screen and other components of the unit and can result in an outage.
- Disconnect the vehicle’s negative battery terminal while mounting and connecting the unit.
- The unit is designed for negative terminal of the battery, which is connected to the vehicle metal. Please ensure it before installation.
- When replacing the fuse, be sure to use one with an identical amperage rating. Using a fuse with a higher amperage rating may cause serious damage to the unit.
- Do not allow the speaker wires to be shorted together when the unit is switched on. Otherwise it may overload or burn out the power amplifier.
- Make sure you disconnect the power supply and aerial if you will not be using the system for a long period or during a thunderstorm.
- Make sure you disconnect the power supply if the system appears to be working incorrectly, is making an unusual sound, has a strange smell, has smoke emitting from it or liquids have got inside it. Let a qualified technician check the system.
- Always keep the volume low enough so that you can hear sounds from outside the vehicle.
- Should this product fail to operate properly, contact your dealer or nearest service center.

## Accessories

---

Receiver	1 pc
Front panel	1 pc
Remote controller	1 pc
Front panel protective case	1 pc
ISO cable	1 pc
Installation parts:	
• Release keys	2 pcs
• Screw M5	1 pc
• Screw M5X25	1 pc
• Flat washer	2 pcs
• Spring washer	2 pcs
• Metal strap	1 pc
• Nut	1 pc
Consumer information	1 pc
Warranty card	1 pc
Instruction manual	1 pc

## Installation/connection

---

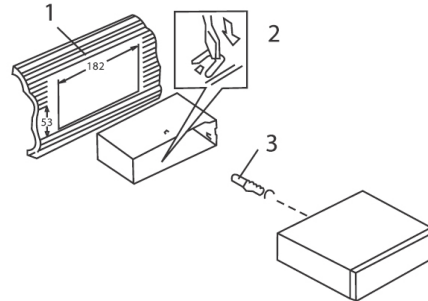
- Choose the mounting location where the unit will not interfere with the normal driving function of the driver.
- Before finally installing the unit, connect the wiring and make sure that the unit works properly.
- Consult with your nearest dealer if installation requires the drilling of holes or other modifications of the vehicle.
- Install the unit where it does not get in the driver's way and cannot injure the passenger if there is a sudden stop, like an emergency stop.
- If installation angle exceeds 30° from horizontal, the unit may not perform properly.
- Avoid installing the unit where it would be subject to high temperature, such as from direct sunlight, or from hot air, from the heater, or where it would be subject to dust, dirt or excessive vibration.

### Din Front/Rear-Mount

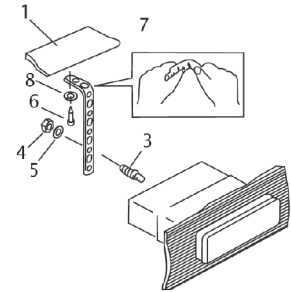
This unit can be properly installed either from 'Front' (conventional DIN Front-mount) or 'Rear' (DIN Rear-mount installation, utilizing threaded screw holes at the sides of the unit chassis). For details, refer to the following illustrated installation methods.

#### DIN FRONT-MOUNT (Method A)

1. Car dashboard
2. Sleeve
3. Screw
4. Nut
5. Spring washer
6. Screw
7. Metal strap
8. Flat washer



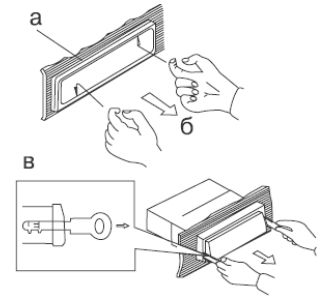
1. Install the sleeve into the dashboard; ensure it is installed with the correct side and there are no obstacles (wires, dashboard elements, etc) for the unit installation.
2. After installing the sleeve into the dashboard, bend tabs fitting to the size of the dashboard to fix the sleeve in place.
3. Use the metal strap to fix the rear side of the unit. Determine a place for fixing and install the strap as shown in the picture. You can bend the strap to the needed angle with your hands.
4. Make the necessary wire connections. Ensure the connections are correct.
5. Install the unit into the sleeve until the side locks are fixed.



## Dismantling the unit

- a – Trim frame
- b – Frame uninstal direction
- B – Release key insertion

1. Switch off the unit and detach the front panel.
2. Insert your fingers into the groove in the front side of the trim frame (apply some effort to detach the frame). Pull the frame to detach it.
3. Insert the supplied release keys into the both sides of the unit body to click, as shown in the picture. To extract the unit from the dashboard, pull the release keys or the unit body to pull it out. Before detaching the unit, ensure it is not fixed with the metal strap.



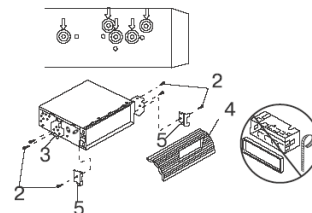
## Trim frame installation

To install the trim frame, press it to the unit body and push it to fix it in place. This should be done before installing the front panel; otherwise you are not able to install the trim frame. When the trim frame being installed, the side with the groove should face down and fixed first.

## 2. DIN REAR-MOUNT (Method B)

For this method, use the screw holes in the lateral sides of the unit. Fix the unit with the help of the factory radio mounting brackets.

1. Select a position in which the screw holes of the brackets (3) are aligned with the screw holes in the unit body, and screw in two screws (2) in each side.
2. Screw.
3. Factory radio mounting brackets.
4. Vehicle dashboard.
5. Lock (remove this part).



Note: The outer trim frame and mounting sleeve are not used for method of installation.

## Installing the front panel

Install the fastening hole on the right side of the front panel on the right fastening of the unit. Then insert the left fastening on the panel into the fixing hole on the left part of the unit. Press on the upper right part of the panel until a click. Ensure that the panel is properly fixed, otherwise error symbols may be displayed and some buttons may not function.

To detach the front panel, press OPEN button, then distract the left side of the panel from the fastening of the unit.

## Anti-theft system

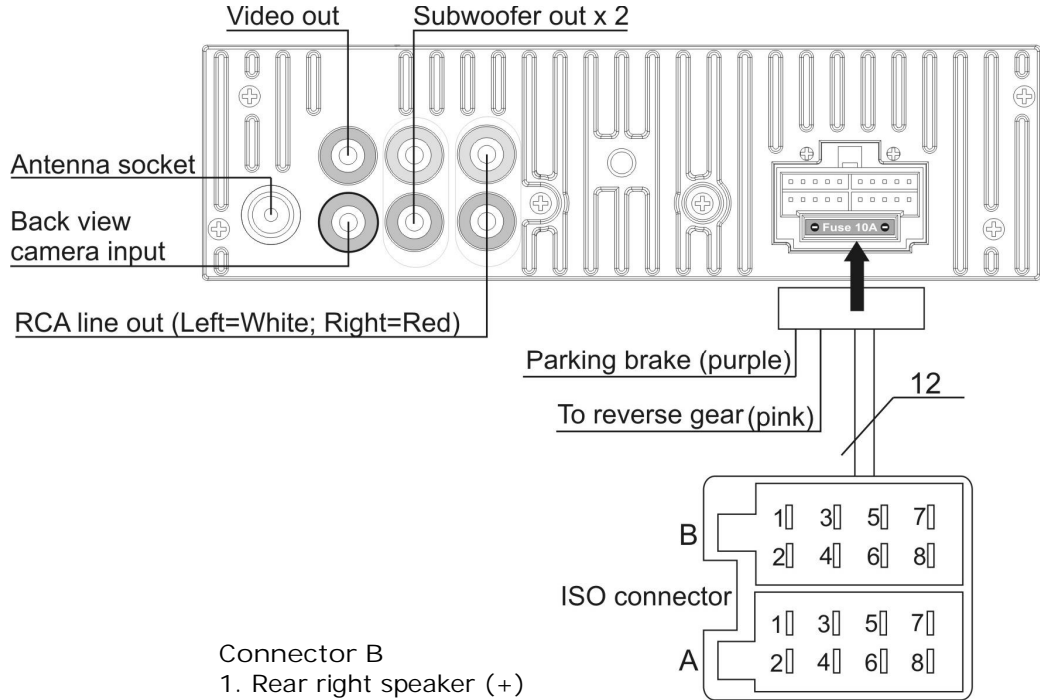
The front panel of this unit can be stored in the included protective case when not in used and carried away when you leave the vehicle to deter theft. Switch off the power of the unit. Detach the front panel, then put it to the protective case and take it with you.

Cautions: The control panel can easily be damaged by shocks. After removing it, place it in a protective case and be careful not to drop it or subject it to strong shocks.

The rear connector that connects the main unit and the control panel is an extremely important part. Be careful not to damage it by pressing on it with fingernails, pens, screwdrivers, etc.

Note: If the control panel is dirty, wipe off the dirt with soft, dry cloth only. And use a cotton swab soaked in isopropyl alcohol to clean the socket on the back of the control panel.

## Electrical Connection



### Connector A

1. -
2. -
3. -
4. Memory +12V
5. Auto antenna output
6. -
7. +12 V (to ignition key)
8. Ground

### Connector B

1. Rear right speaker (+)
2. Rear right speaker (-)
3. Front right speaker (+)
4. Front right speaker (-)
5. Front left speaker (+)
6. Front left speaker (-)
7. Rear left speaker (+)
8. Rear left speaker (-)

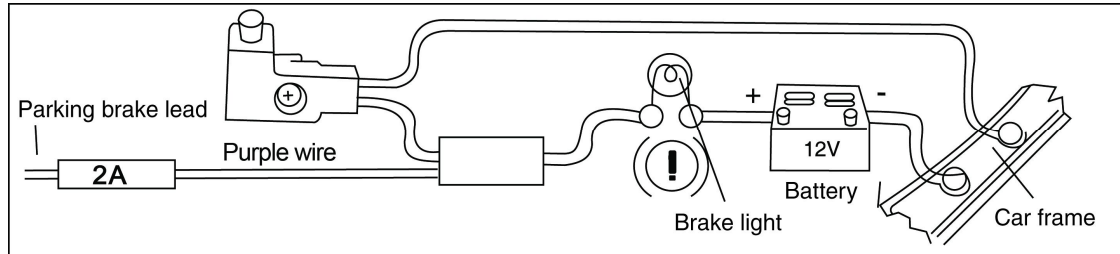


## ISO Connection table

Location	Function	
	Connector A	Connector B
1	-	Rear right (+) - Blue
2	-	Rear right (-) - Blue/White
3	-	Front right (+) - Grey
4	Battery +12V/Yellow	Front right (-) - Grey/White
5	Auto Antenna/Orange	Front left (+) - Green
6	-	Front left (-) - Green/White
7	Ignition/Red	Rear left (+) - Brown
8	Ground/Black	Rear left (-) - Brown/White

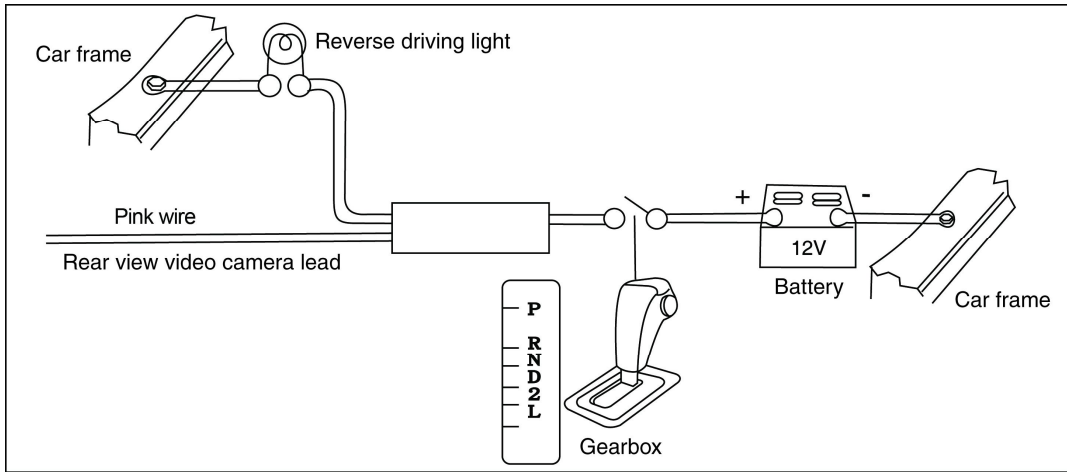
Note: Power antenna wire is intended for power supply of the antenna and for remote control of an additional amplifier.

### Parking wire connection



If parking cable is connected to hand brake switch, the video display of the monitor will be controlled by driving status, system setup and input video sources. When the car is moving ahead, if the video disc is played, the screen shows "Warning! Please stop watch video player", and blank screen. The warning screen will prevent the driver from watching images.

### Reverse driving cable connection

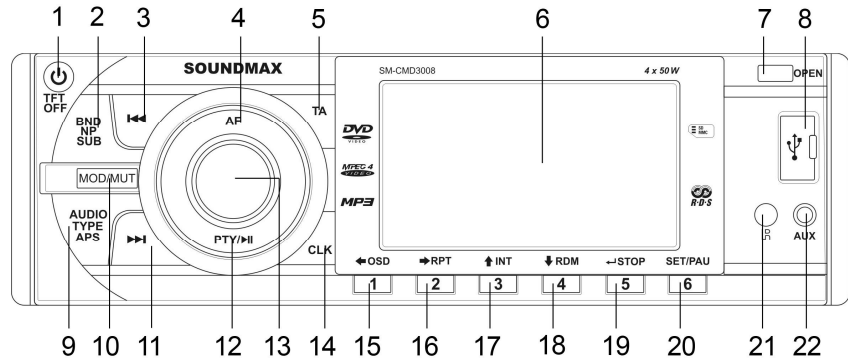


If the rear view video camera is connected, the unit automatically switches to camera picture during reverse driving. The unit returns to the original work mode after the reverse driving is done.

## Unit controls

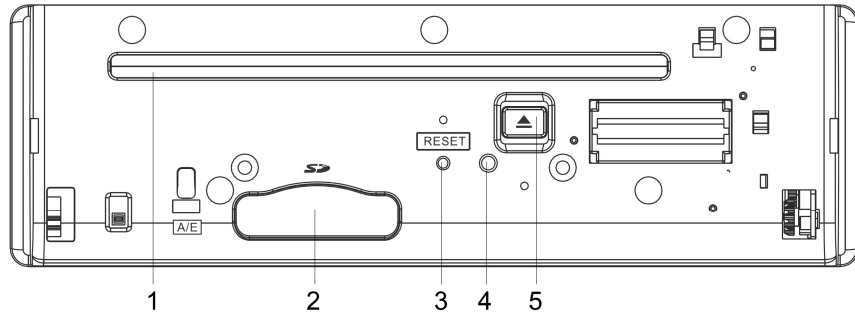
### Front panel

1. POWER/TFT OFF button
2. BND/NP/SUB button
3. PREVIOUS button
4. AF button
5. TA button
6. Display
7. OPEN button
8. USB port
9. AUDIO/TYPER/APS button
10. MOD/MUT button
11. NEXT button
12. PTY/PLAY/PAUSE button
13. VOLUME regulator/SELECT button
14. CLK button
15. 1/OSD/LEFT button
16. 2/RPT/RIGHT button
17. 3/INT/UP button
18. 4/RDM/DOWN button
19. 5/STOP/ENTER button
20. 6/SET/PAU button
21. IR sensor
22. AUX in jack



## Inner panel

1. Disc loading slot
2. SD/MMC memory card slot
3. RESET button (hole)
4. Panel status indicator
5. EJECT button

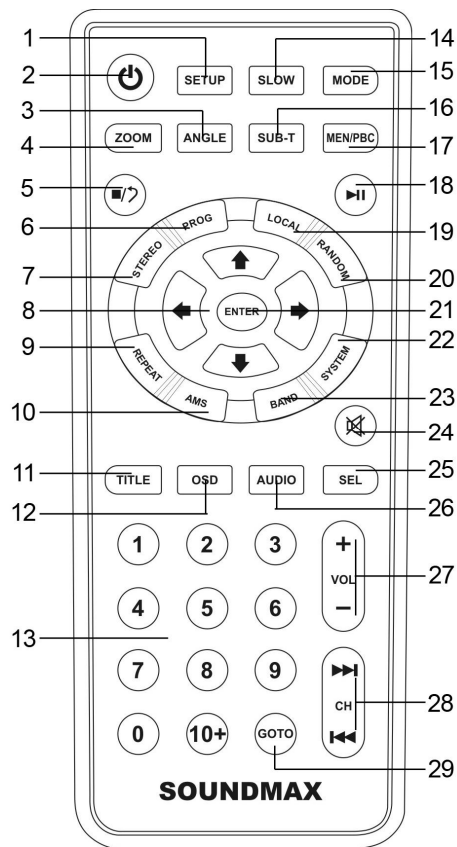


Pressing RESET hole will erase the clock setting and stored stations.

Panel status indicator lights up when you flip down the panel and flashes when you remove the panel.

## Remote controller (RC)

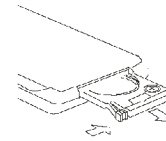
1. SETUP button
2. POWER button
3. ANGLE button
4. ZOOM button
5. STOP button
6. PROG button
7. STEREO button
8. Cursor (UP/DOWN/LEFT/RIGHT) buttons
9. REPEAT button
10. AMS button
11. TITLE button
12. OSD button
13. Number buttons
14. SLOW button
15. MODE button
16. SUB-T button
17. MEN/PBC button
18. PLAY/PAUSE button
19. LOCAL button
20. RANDOM button
21. ENTER button
22. SYSTEM button
23. BAND button
24. MUTE button
25. SEL button
26. AUDIO button
27. VOL+ /VOL- buttons
28. PREVIOUS/NEXT buttons
29. GOTO button



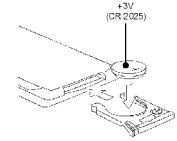
SOUNDMAX

## Changing the battery

1. Press the catch and at the same time pull out the battery tray (pic. 1).
2. Insert the 1 lithium battery, type CR2025 (3V) battery with the stamped (+) mark facing upward. Insert the battery tray into the remote controller (pic.2).



Pic. 1



Pic. 2

### Warning:

- Store the battery where children cannot reach. If a child accidentally swallows the battery, consult a doctor immediately.
- Do not recharge, short, disassemble or heat the battery or dispose it in a fire.
- Do not expose or bring into contact the battery with other metallic materials. Doing this may cause the battery to give off heat, crack or start a fire.
- When throwing away or saving the battery, wrap it in tape and insulate; otherwise, the battery may give off heat, crack or start a fire.
- Please direct the Remote controller to the IR sensor of the front panel.

## General operations

---

### Reset the unit

Operating the unit for the first time or after replacing the car battery, you must reset the unit. Press RESET button (hole) with a pointed object, such as a ballpoint pen, to set the unit to initial state.

Note: When some errors occur, you can also press RESET button to resume to normal, and it will erase some memorized functions.

### Turning the unit on/off

Press any button on the panel or the RC (except OPEN button) to turn on the unit. Press and hold POWER/TFT OFF button on the panel or press POWER button on the RC to turn off the unit.

### Mode selection

Repeatedly press MOD/MUT button on the panel or MODE button on the RC to select a mode: Radio => Disc => USB => Memory card => AUX.

Note: The Disc, Card and USB modes are only available when corresponding storages are connected to the unit.

### Mute function

Press MUTE button on the RC or press and hold MOD/MUT button on the panel to turn off the sound. "MUTE ON" appears on the display. Press the button again or adjust volume to resume the sound output.

### Volume control

Press VOL+/VOL- buttons on the RC or rotate VOLUME regulator on the panel to decrease or increase sound volume level.

### Setting the sound characteristics

Press repeatedly SELECT button on the panel or SEL button on the RC to select the audio setting: VOL (volume) => BAS (bass) => TRE (treble) => BAL (balance) => FAD (fader). Press VOL+/VOL- buttons on the RC or rotate VOLUME regulator on the panel to adjust the selected item. Balance is to adjust the balance

between the left and right speakers. Fader is to adjust the balance between the rear and front speakers. After you have reached your desired effect, leave the unit idle in order for the new setting to take effect. Note: If the equalizer is set on, bass and treble are not adjustable.

#### EQ modes

Press repeatedly SELECT button on the panel or SEL button on the RC until the display shows EQ OFF. Press VOL+/VOL- buttons on the RC or rotate VOLUME regulator on the panel to choose an equalizer effect: POP => ROCK => CLASS => FLAT => EQ OFF. After you have reached your desired effect, leave the unit idle in order for the new setting to take effect.

#### Loudness

Press repeatedly SELECT button on the panel or SEL button on the RC until the display shows LOUD ON (LOUD OFF). Press VOL+/VOL- buttons on the RC or rotate VOLUME regulator on the panel to select between LOUD ON/LOUD OFF. LOUD function is to emphasize the bass output; the word LOUD ON indicates that the LOUD mode is on.

#### Clock setting

Press CLK button on the panel to show the time on the display. Press and hold it, the hour will be in green. Rotate VOLUME regulator on the panel or press VOL+/VOL- buttons on the RC to adjust the hour. Press SEL button on the RC or SELECT button on the panel, the minute will be in green. Rotate VOLUME regulator on the panel or press VOL+/VOL- buttons on the RC to adjust minutes. Press CLK button to confirm.

#### Beep

Press repeatedly SELECT button on the panel or SEL button on the RC until the display shows BEEP ON (BEEP OFF). Press VOL+/VOL- buttons on the RC or rotate VOLUME regulator on the panel to select between BEEP ON (beep sound will be heard when buttons are pressed) and BEEP OFF. After you have reached your desired effect, leave the unit idle in order for the new setting to take effect.

#### Button backlight color

Press repeatedly SELECT button on the panel or SEL button on the RC until the display shows COLOR1 (COLOR2). Press VOL+/VOL- buttons on the RC or rotate VOLUME regulator on the panel to select between



COLOR1 (green button backlight) and COLOR2 (red button backlight). After you have reached your desired effect, leave the unit idle in order for the new setting to take effect.

#### TFT on/off

Press POWER/TFT OFF button on the panel to switch the TFT display off. Press the button again to switch the display on.

#### Subwoofer

Press repeatedly SELECT button on the panel or SEL button on the RC until the display shows SUB ON (SUB OFF). Press VOL+/VOL- buttons on the RC or rotate VOLUME regulator on the panel to select between SUB ON/SUB OFF. Or press and hold BND/NP/SUB button on the panel to switch on or off the subwoofer output. After you have reached your desired effect, leave the unit idle in order for the new setting to take effect.

Note: An external amplifier is required to operate the subwoofer.

#### AUX in jack

AUX-in jack is intended for connecting external audio equipment to amplify the sound. If connection is made correctly, the audio signal from the external source will be translated through the acoustics of the head unit. This enables to adjust the volume and quality of the sounding. For example, you can connect an MP3-player to listen to tracks using the car acoustic system.

## Radio operations

---

### Band select

Press repeatedly BND/NP/SUB button on the panel or BAND button on the RC to select your desired radio band in Radio mode: FM1, FM2, FM3, AM1 (MW1), AM2 (MW2). In each set of the bands you can store up to 6 preset stations, making total 30 preset memory stations.

### Auto/Manual tuning

- Manual tuning: Press PREVIOUS/NEXT buttons on the panel or on the RC to manually adjust the radio frequency.
- Auto tuning: Press and hold PREVIOUS/NEXT buttons on the panel or on the RC, the radio will seek to the next up or down strong and clear frequency station automatically. Repeat this action to seek for other desired stations. To stop automatic search, press NEXT or PREVIOUS button on the panel or on the RC.

### Programming tuner stations

There are six numbered preset buttons, under which you can store and recall stations for each band. Select the needed frequency, then press and hold a preset button. The station will be saved in the memory under the corresponding number. To recall a stored station, press the corresponding preset button.

### Automatic store/preset scan

- Automatic store: Press and hold AUDIO/TYPE/APS button on the panel or AMS button on the RC. SCAN ON will be displayed. The radio will automatically store the 6 strongest available stations to the 6 preset memories of the current band. To stop auto store, press this button again.
- Preset scan: Press AUDIO/TYPE/APS button on the panel or AMS button on the RC. INTRO ON will be displayed. The receiver will scan the saved stations in all bands for 5 seconds.

### Mono/Stereo control (in FM radio mode)

Press repeatedly SELECT button on the panel or SEL button on the RC until the display shows ST ON (ST OFF). Press VOL+/VOL- buttons on the RC or rotate VOLUME regulator on the panel to select between ST ON/OFF. ST ON means stereo reception of the signal; ST OFF means mono reception mode. Or press

STEREO button on the RC to switch stereo reception on/off. Improvement of reception of distant stations can be done by selecting mono mode, which may cut down some reception noise.

#### Local radio station search

Press repeatedly SELECT button on the panel or SEL button on the RC until the display shows LOC ON (LOC OFF). Press VOL+/VOL- buttons on the RC or rotate VOLUME regulator on the panel to select between LOC ON/OFF. LOC ON means that only local stations are received; LOC OFF means that both local and distant stations with weak and strong signal are received. Or press LOCAL button on the RC to switch between local and distant station reception.

#### RDS function

RDS (Radio Data System) service availability varies with areas. Please understand if RDS service is not available in your area, the following service is not available, either.

#### AF (Alternative Frequencies) function

Press AF button on the panel to turn the AF function on or off. When the function is on, AF symbol will blink on the display.

When the radio signal strength is poor, enabling the AF function will allow the unit to automatically search another station with the same PI (Program Identification) as the current station but with a stronger signal, so that you do not have to retune the stations when driving between different transmitter coverage areas.

PS (Program Service name): the name of station will be display instead of frequency.

If RDS service is not available in your area, turn off the AF mode.

#### TA (Traffic Alarm) function

Press TA button to turn TA function on or off. When on, the TA symbol will show on the display.

In TA mode traffic program will be automatically searched, until the program is received. When traffic announcement is received the unit will temporarily switch to the tuner mode (regardless of the current mode) and begin broadcasting the announcement. After the traffic announcement is over, it will return to the previous mode and volume level. To interrupt traffic announcement press TA button shortly; it will not switch off the TA mode.

## PTY (Program Type)

This radio will allow you to select the type of program required, and will search for a station broadcasting that type of program.

Press PTY/PLAY/PAUSE button to show the music type. Then press 1 - 6 number buttons to choose different music programs available.

Press PTY/PLAY/PAUSE button twice to show the speech type program. Then press 1 - 6 number buttons to choose different speech programs. Each number button will show 2 or 3 different speech programs for you to choose (see table below).

Button	Music type programs	Speech type programs
1	Pop, Rock	News, Affairs, Info
2	Easy, Light	Sport, Educate, Drama
3	Classics	Culture, Science, Varied
4	Jazz, Country	Weather, Finance, Children
5	Nation, Oldies	Social, Religion, Phone IN
6	Folk	Travel, Leisure, Document

When PTY is selected, the radio starts to search corresponding PTY information, and stops if the corresponding PTY information is detected. If no buttons are pressed within several seconds, previously selected PTY is searched. During 1 loop, if desired PTY is not found, the unit will return to previous mode. Press PTY/PLAY/PAUSE button for the 3rd time to switch the PTY function off.

## Other parameter setting

To choose the corresponding parameter, press and hold SELECT button on the panel or SEL button on the RC, then press it repeatedly until the display shows the needed parameter. Press VOL+/VOL- buttons on the RC or rotate VOLUME regulator on the panel to choose the needed option. After choosing, please leave the unit idle to activate.

- TA ALARM/TA SEEK: In TA SEEK mode, the unit will seek for traffic announcement program; in TA ALARM mode, the alarm is set off.
- PI SOUND/MUTE: Choose either PI sound or PI mute. PI sound refers to the reception noise when the AF function tries to scan alternative frequency.

- RETUNE S/L: RETUNE refers to the time period the unit allows for radio scan when reception is interrupted. SHORT represents a time period of 30 seconds and LONG represents a time period of 90 seconds.
- MASK DPI/ALL: During MASK DPI mode, the unit will mask only the AF which has different PI, this is the default mode; during MASK ALL mode, the unit will mask the AF which has different PI and no RDS signal with high field strength.

## Disc operations

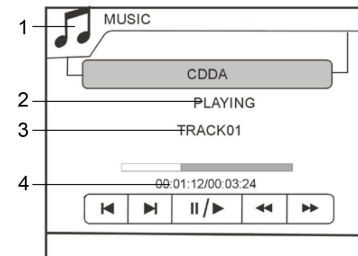
### Insert/Eject disc

- Open the front panel and insert a disc into the disc slot with label side up. The disc will be automatically loaded into the unit. The first file in the root folder will be played. Close the front panel.
- Open the front panel and press EJECT button to eject the disc from the slot. If the disc is not removed from the slot within several seconds, it will be automatically loaded into the slot again. When the disc is ejected and removed, the unit will automatically switch to another mode.

### MP3/DivX/JPEG file playback

When you insert a storage containing MP3/DivX/JPEG files, the screen will show following interface:

1. Music/Photo/Video
2. Playback status
3. Track number/track name (depending on the format)
4. Current track playback elapsed/remaining time



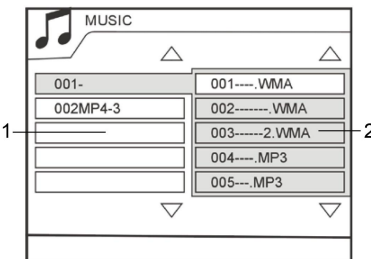
Press STOP button on the RC or press and hold 5/STOP/ENTER button on the panel; the disc menu will be displayed as follows:

1. Folder list
2. File list

You can select the needed folder or file by pressing cursor buttons. Press ENTER button on the RC or 5/STOP/ENTER button on the panel

If you are using a multi-format storage, press repeatedly MEN/PBC button on the RC to select between music, photo and video files.

Note: Manufacturer guarantees regular playback of licensed discs only. Some AVI files cannot be played due to their parameters and recording conditions. Video files more than 2 Gb with AVI extension can be played partially.



### Play/Pause/Stop

During playback press PLAY/PAUSE button on the RC or press and hold 6/SET/PAU button on the panel to pause playback. Do this operation again to resume playback. To stop playback, press STOP button on the RC or press and hold 5/STOP/ENTER button on the panel.

### Selecting tracks/chapters

During playback press PREVIOUS button on the panel or on the RC to play the previous track/chapter (depending on the format). Press NEXT button on the panel or on the RC to play the next track/chapter. Press number buttons (0-9) on the RC to select the desired track/chapter.

### Fast forward/rewind

Press and hold repeatedly PREVIOUS or NEXT button on the panel or RC for fast backward or forward playing correspondingly. With each pressing and holding playback speed will increase as follows: x2 => x4 => x8 => x20 => Normal. While fast playback, press PLAY/PAUSE button on the RC or PTY/PLAY/PAUSE button on the panel to resume normal speed.

### Repeat playback

Press and hold 2/RPT/LEFT button on the panel or press REPEAT button on the RC repeatedly for repeat playing in different modes: track/chapter repeat, folder repeat, disc repeat, repeat cancel (depending on the format used).

### Intro playback

Press and hold 3/INT/UP button on the panel to activate introduction playback function. Several initial seconds of each track will be played. Press and hold the button again to cancel intro playback.

### Random playback

Press RANDOM button on the RC or press and hold 4/RDM/DOWN button on the panel to activate random playing mode. Press one more time to return to normal playing.

### GOTO

Press GOTO button to show the playback parameters for the current chapter/track/time (track/title/chapter number or time). Press cursor buttons to navigate between the parameters and use number buttons to

input needed settings. Press ENTER button on the RC or 5/STOP/ENTER button on the panel to start playback from the set number or time.

#### Programming the playback

- Press PROG button on the RC to open program menu.
- Use cursor buttons to select the program position and use number buttons to input the desired track/title/chapter (depending on the disc type).
- Press PLAY/PAUSE button to start program play, or move the cursor to select PLAYING and press ENTER button on the RC or 5/STOP/ENTER button on the panel to play.
- Move the cursor to CLEAR, press ENTER button on the RC or 5/STOP/ENTER button on the panel to delete the programmed list. Press PROG button to quit programming.

#### OSD (On Screen Display) function

Press OSD button on the RC or press and hold 1/OSD/ВЛЕВО button on the RC repeatedly to show current playback information, such as number of track/chapter/title, current track/chapter/title time elapsed/remaining, total track/chapter/title time remaining (depending on the disc type).

#### Zooming in/out

During playback of video or images, press repeatedly ZOOM button on the RC, the picture will be zoomed in the sequence: X2 => X3 => X4 => X1/2 => X1/3 => X1/4 => Normal. When the image is zoomed in, you can move it by pressing cursor buttons.

#### Slow playback

During playback press repeatedly SLOW button on the RC to select the speed of slow playback: 1/2 => 1/3 => 1/4 => 1/5 => 1/6 => 1/7 => Normal. While slow playback, press and hold 6/SET/PAU button on the panel or PLAY/PAUSE button on the RC to resume normal playback.

#### PBC (Playback Control) function (for VCD only)

This function is only available for the VCD with PBC function. Press and hold MEN/PBC button on the RC to set PBC on/off; when PBC is off, the screen will show PBC menu if you switch PBC on. If the menu consists of a list of titles, you can select a desired one using number buttons on the RC.



### Changing angle (for DVD only)

Press ANGLE button on the RC to playback images at different camera angles. If a disc doesn't support multi-angle playback, this function will not work.

### Selecting audio language (for DVD only)

During DVD disc playback, press AUDIO button on the RC repeatedly to select the audio language to listen. This function will not work if a disc does not support multi-language audio.

### Selecting subtitle language (for DVD only)

If your DVD disc supports multi-language subtitle, press SUB-T button on the RC repeatedly to switch among disc-supported languages.

### Selecting sound channel

During VCD/CD disc playback repeatedly press AUDIO button on the RC or press and hold AUDIO/TYPE/APS button on the panel to select the channel: Mono left => Mono right => Stereo.

### Selecting video system

While video playback, press repeatedly SYSTEM button on the RC or BND/NP/SUB button on the panel to select the video system (NTSC/PAL/PAL60/AUTO).

### Menu navigation

- Press MEN/PBC button on the RC to activate the disc menu list on the screen. Choose the desired item with cursor buttons. Press ENTER button on the RC or 5/STOP/ENTER button on the panel to confirm the selected item and start playing.
- When playing a DVD, press TITLE button on the RC to go to the title list of the disc.

Note: Title and menu are only available if the disc has these functions.

### ID3 Tag function

If an MP3 file has ID3-tag information in the supported format, such information will be displayed while playback

## USB/SD/MMC operation

---

### USB/SD/MMC notes

USB format supports 2.0. Capacity: up to 32 Gb.

For correct and satisfactory operation, licensed SD/MMC memory cards of famous brands should be used with this unit. Avoid using memory cards of unknown brands. Capacity: up to 32 Gb.

### Inserting SD/MMC card/USB device

Insert an MMC/SD card or a USB device into MMC/SD slot or USB slot. Then the playing mode will be changed into Card or USB mode automatically. The first card/USB device track playback will start. If the unit is afterwards switched to another mode, press MOD/MUT button on the panel or MODE button on the RC to select USB or memory card mode.

All the operations with files stored in a memory card or USB are the same as described in Disc Operations for file discs.

## Setup menu

Press SETUP button on the RC or 6/SET/PAU button on the panel to display setup screen, use UP/DOWN cursor buttons to select the desired setup page: System, Disc. Press RIGHT cursor button to go to the selected page item list. In the selected page select an item using UP/DOWN cursor buttons, then press ENTER button on the RC or 5/STOP/ENTER button on the panel to go to setting list. Use UP/DOWN cursor buttons to select the needed setting. Press ENTER button on the RC or 5/STOP/ENTER button on the panel to confirm your selection. Press SETUP button on the RC or 6/SET/PAU button on the panel to go to the previous menu page.

### System setup

- NTSC/PAL

Select the TV system in the setting menu (NTSC, PAL, PAL-60, AUTO).

- Adjust

Adjust brightness, contrast, hue, saturation and sharpness of the image.

- TV Ratio

Select TV type to watch wide screen movies.

4:3 PS: For 4:3 TV, left and right edges will be cut.

4:3 LB: For 4:3 TV, black bars will appear on top and bottom.

16:9 Wide: For 16:9 wide screen TV.

### Disc setup

- OSD language

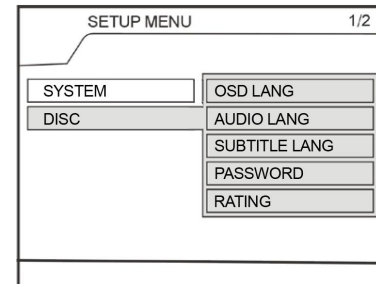
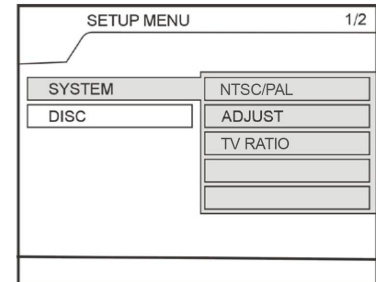
Select the language to be used for the on-screen display.

- Audio language

Select the language to be used for the audio. You can select a preferred audio from those included on the DVD video disk.

- Subtitle language

Select the language to be used for subtitles. You can select a preferred subtitle from those included in the DVD Video disk.



- Password

Change the password. The initial factory password is 0000. You can set your own password. If you forget your own password, you can use 0000 as general password.

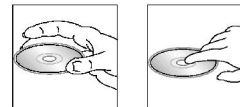
- Rating

The control level is for parental to control playing content and protect your children from violence and erotic. The disc, the level of which is higher than the setting level can not be played. The rating can be selected only under the password unlocked status, and the limits can be worked only under the password locked status.

## Handling and cleaning discs

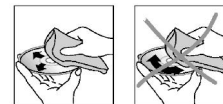
---

- Dirty, scratched or warped discs may cause skip ping or noise.
- Handle the disc only by the edges. To keep clean do not touch its surface.
- Discs should be stored in their cases after use to avoid scratches.
- Do not expose discs to direct sunlight, high humidity, high temperature or dust.
- Prolonged exposure to extreme temperature can warp the disc (such as leaving the discs in your car during summertime).
- Do not stick or write anything on either side of disc. Sharp writing instruments, or the inks used in some felt-tip pens, may damage its surface.
- Do not touch the unlabeled side. Do not attach any seal, label or data protection sheet to either side of a disc.



### Cleaning the cabinet

Wipe with a soft cloth. If the cabinet is very dampen (not dropping wet) the cloth with a weak solution of soapy water, and then wipe clean.



### Cleaning discs

Fingerprints should be carefully wiped from the surface of disc with a soft cloth. Unlike conventional records, compact discs have no grooves to collect dust and macroscopic dirt, so gently wiping them with a soft cloth should remove most particles. Wipe in a straight motion from the center to the edge. Never use thinner benzine, record cleaner or anti static spray on a compact disc. Such chemicals can damage its plastic surface.

## Troubleshooting guide

Below is a table describing simple measures that can help you eliminate most problems likely to emerge when this unit is in use. If below measures do not help, turn to a service center or to the nearest dealer.

Symptom	Cause	Solution
No power	The car ignition is not on.	If the power supply is properly connected to the car accessory switch the ignition key to "ACC".
	The fuse is blown.	Replace the fuse.
No sound	Volume is on minimum.	Adjust volume to a desired level.
	Wiring is not properly connected.	Check wiring connection.
Bad sound quality	The installation angle is more than 30 degrees.	Adjust the installation angle to less than 30 degrees.
	The disc is extremely dirty or defective.	Clean the compact disc/try to play a new one.
Disc cannot be loaded or ejected	The unit already contains a disc.	Remove the disc in the player then put a new one.
	Moisture condensation.	Leave the unit idle for an hour, then retry.
Disc cannot be read	The disc is inserted upside down.	Insert the compact disc with the label side facing upward.
	Compact disc is extremely dirty or defective.	Clean the disc or try to play a new one.
	Temperature inside the car is too high.	Cool off until the ambient temperature returns to normal.
Buttons do not work	The built-in microcomputer is not operating properly.	Reset the unit with the help of RESET button.
	Front panel is not properly fix into its place.	Install the front panel properly.
The radio does not work	The antenna cable is not connected.	Insert the antenna cable properly.
The radio station automatic tuning does not work	The signals are too weak.	Select stations manually.

## Specification

General	
Power supply:	12 V DC
Maximum power output:	4 x 50 W
Storage support:	DVD/DVD±R/DVD±RW, CD/CD-R/CD-RW, USB, SD/MMC
Compatible formats:	DVD-video/DVD-audio/SVCD/VCD/CDDA/HDCD/MP3/Picture-CD/Photo-CD/JPEG/MPEG4 (DivX/XviD)
Unit dimensions/Net weight:	178 x 178 x 51 mm/1.9 kg
Gift box dimensions/Gross weight:	220 x 294 x 100 mm/2.16 kg
ESP function:	8 sec. ESP for DVD, 40 sec. ESP for Audio-CD, 120 sec ESP for MP3
Temperature range:	-20°C - +60°C
TFT display	
Screen size:	3 inches
Resolution:	320 (RGB) x 240
Aspect ratio:	16:9
Contrast ratio:	400:1
Brightness:	300 cd/m <sup>2</sup>
View angle:	V: 120°, H: 120°
FM Radio	
Frequency range:	87.5 – 108.0 MHz
Usable sensitivity:	12 dBu
Preset memory stations:	18
AM Radio	
Frequency range:	522 kHz - 1620 kHz
Preset memory stations:	12

Specifications are subject to change without notice. Mass and dimensions are approximate.

**Уважаемый покупатель!**

Благодарим Вас за покупку нашего изделия. Для обеспечения безопасности рекомендуется тщательно изучить настоящее руководство перед подключением, эксплуатацией и/или регулировкой изделия и сохранять руководство для использования в будущем.

**Содержание**

---

Содержание .....	32
Меры предосторожности .....	33
Комплект поставки .....	34
Установка/подключение .....	35
Элементы управления .....	42
Общие операции .....	46
Операции с радио .....	49
Операции с дисками .....	53
Операции с USB-накопителями/картами памяти SD/MMC .....	58
Экранное меню настройки .....	59
Обращение с дисками .....	61
Руководство по устранению неисправностей .....	62
Технические характеристики .....	64



## Меры предосторожности

---

- Внимательно изучите данное руководство, чтобы ознакомиться с устройством.
- Держите данное руководство под рукой в качестве справочника по правилам эксплуатации и мерам предосторожности. Не допускайте к использованию устройства посторонних лиц, не ознакомившихся и не усвоивших данные инструкции по эксплуатации.
- ЛАЗЕРНЫЙ ПРОДУКТ КЛАССА 1. Данное устройство оснащено лазерным диодом класса выше 1. Лазерные лучи, исходящие из блока оптической головки считывания информации с компакт-диска, опасны для глаз. В целях обеспечения полной безопасности не снимайте какие-либо крышки и не пытайтесь проникнуть внутрь устройства. Ремонт должен выполняться только квалифицированным специалистом.
- Не допускайте попадания жидкости на устройство. Это может повлечь поражение электрическим током. Кроме того, попадание жидкости или пыли в устройство может стать причиной его выхода из строя, перегрева и появления дыма. Оберегайте устройство от воздействия влаги.
- Убедитесь, что внутрь устройства не попали посторонние предметы. Они могут вызвать сбой в работе или стать причиной возгорания или поражения лазерным лучом.
- Началом эксплуатации устройства считается момент его установки в автомобиль. Перед началом использования устройства в зимний период рекомендуется прогреть салон автомобиля в течение 20 минут или до достижения эксплуатационного диапазона температуры устройства.
- Использование устройства при температуре, выходящей за рамки эксплуатационного диапазона температур, значительно снижает ресурс работы экрана и других компонентов устройства и может привести к выходу устройства из строя.
- При установке и подключении устройства отключите отрицательную клемму аккумулятора автомобиля.
- Устройство разработано таким образом, чтобы отрицательный вывод аккумулятора был подключен к корпусу транспортного средства. Пожалуйста, убедитесь в этом перед установкой.
- При замене предохранителя, убедитесь, что вы устанавливаете предохранитель с тем же номиналом. Используя предохранитель с повышенным значением тока, можно причинить значительные повреждения устройству.
- Не позволяйте проводам динамиков соприкасаться друг с другом или с корпусом автомобиля после включения устройства. В противном случае усилитель может быть перегружен или выйти из строя.

- Убедитесь, что источник питания и антенна отключены, если Вы не будете пользоваться устройством в течение длительного времени или во время грозы.
- Убедитесь, что источник питания отключен, если обнаружена неправильная работа устройства, устройство издает нехарактерные звуки, запах, выделяет дым или внутрь его попала жидкость. В этих случаях необходим квалифицированный технический осмотр устройства.
- Не устанавливайте уровень громкости, заглушающий внешние звуки дорожной обстановки и сигналы специального автотранспорта.
- При неполадках в работе устройства свяжитесь с торговым представителем или с ближайшим сервисным пунктом.

## Комплект поставки

---

Ресивер	1 шт
Передняя панель	1 шт
Пульт дистанционного управления	1 шт
Защитный футляр для передней панели	1 шт
ISO кабель	1 шт
Детали для установки:	
• Ключи-съемники	2 шт
• Винт М5	1 шт
• Винт М5Х25	1 шт
• Плоская шайба	2 шт
• Пружинная шайба	2 шт
• Металлическая пластина	1 шт
• Гайка	1 шт
Информация для потребителя	1 шт
Гарантийный талон	1 шт
Руководство по эксплуатации	1 шт

## Установка/подключение

---

- Перед окончательной установкой устройства временно подключите все провода и убедитесь, что все соединения выполнены верно, а устройство и система работают правильно.
- Для обеспечения правильной установки устройства используйте только те детали, которые входят в комплект. Использование других приспособлений может привести к появлению сбоев в его работе.
- Если для установки устройства необходимо сверлить отверстия в кузове автомобиля или вносить какие-либо другие изменения в его конструкцию, проконсультируйтесь с продавцом.
- Устанавливайте устройство там, где оно не будет закрывать водителю обзор и отвлекать от дорожной обстановки и не сможет нанести травм пассажирам в случае внезапной остановки автомобиля, например, при экстренном торможении.
- Если при установке устройства угол относительно горизонтальной плоскости превышает 30°, рабочие характеристики проигрывателя могут быть не оптимальны.
- Никогда не устанавливайте устройство в таких местах, где оно будет подвергаться воздействию высокой температуры, например, в местах попадания прямых солнечных лучей, в местах выхода горячего воздуха от отопителя автомобиля, в местах, где очень грязно или пыльно, или там, где устройство будет подвергаться сильной вибрации.
- Перед установкой устройства обязательно снимите переднюю панель.

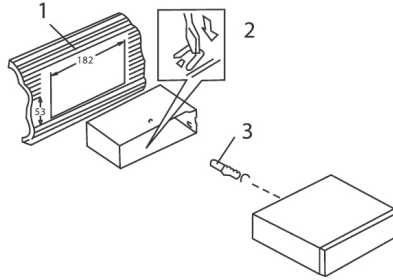
### **Установка устройства в приборную панель автомобиля «спереди» или «сзади»**

Данное устройство может быть установлено либо «спереди» (обычная установка стандарта DIN в приборную панель автомобиля), либо «сзади» (установка стандарта DIN, при которой используются отверстия на боковых сторонах корпуса проигрывателя, имеющие резьбу под винты). Более подробно методы установки А и Б описываются ниже.

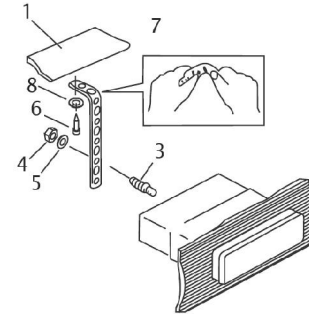
## Установка устройства в приборную панель автомобиля «спереди» (Метод А)

### Установка устройства

1. Приборная панель автомобиля
2. Монтажный кожух.
3. Винт
4. Гайка
5. Пружинная шайба
6. Винт
7. Опорная планка.
8. Плоская шайба



1. Установите монтажный кожух в приборную панель автомобиля, убедитесь, что он установлен правильной стороной и нет препятствий (провода, элементы приборной панели) для установки магнитолы.
2. После установки монтажного кожуха в приборную панель отогните на нем металлические язычки, соответствующие толщине приборной панели. Это позволит закрепить кожух на месте.
3. Обязательно используйте опорную планку для закрепления задней стороны проигрывателя. Определите место крепления и установите ее согласно приведенному рисунку. Планку можно согнуть руками под нужным углом.
4. Подключите необходимые провода и разъемы. Убедитесь в правильности подключения.
5. Установите магнитолу в монтажный кожух до фиксации боковых защелок.



## Снятие устройства

а – Декоративная рамка

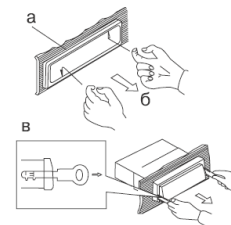
б – Направление снятия рамки

в – Установка ключей съемников

1. Выключите магнитолу и снимите переднюю панель.

2. Вставьте пальцы в канавку на передней стороне декоративной рамки (рамка снимается с небольшим усилием). Потяните рамку на себя, чтобы снять ее.

3. Вставьте входящие в комплект ключи съемники с обеих сторон корпуса устройства, как показано на рисунке, до щелчка. Для того чтобы извлечь устройство из приборной панели, потяните за съемники или магнитолу и вытяните её на себя (перед снятием убедитесь, что магнитола не зафиксирована с опорной планкой).



## Установка декоративной рамки

Для установки декоративной рамки прижмите ее к корпусу устройства и нажмите, чтобы вставить на место. Это необходимо сделать до установки передней панели, иначе вы не сможете установить декоративную рамку на место (При установке рамки на место направьте сторону с канавкой вниз и закрепите ее.).

## Установка устройства в приборную панель автомобиля «сзади» (Метод Б)

В данном случае установки используются отверстия для винтов на боковых сторонах устройства. Закрепите устройство с помощью штатных кронштейнов крепления радиоприемника.

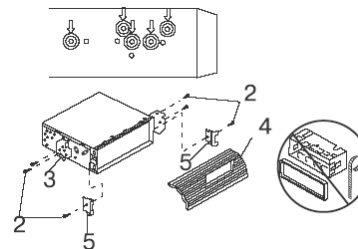
1. Выберите такое положение, в котором отверстия для винтов на кронштейне (3) будут совмещены с отверстиями для винтов на корпусе устройства и вкрутите по два винта (2) с каждой стороны.

2. Винт.

3. Монтажный кронштейн штатного радиоприемника.

4. Приборная панель или консоль автомобиля.

5. Защелка (снимите эту деталь).



**Примечание:** При установке по методу Б монтажный кожух и внешняя декоративная рамка не используются.

## **Установка передней панели**

Наденьте крепежное отверстие правой стороны панели на крепление в правой стороне корпуса. Затем вставьте левый крепеж на панели в отверстие на левой стороне корпуса. Нажмите на правую верхнюю часть панели до щелчка. Убедитесь в том, что панель плотно закреплена в корпусе, иначе на дисплее могут отобразиться символы ошибок или некоторые кнопки не будут функционировать.

Для отсоединения передней панели нажмите кнопку OPEN, затем извлеките левую сторону панели из крепления ресивера. Потяните панель на себя.

## **Система против кражи**

Если данное устройство не используется, переднюю панель можно отсоединить и поместить в защитный футляр, входящий в комплект поставки. Панель в футляре можно взять с собой, когда Вы покидаете автомобиль. Это позволяет избежать кражи панели.

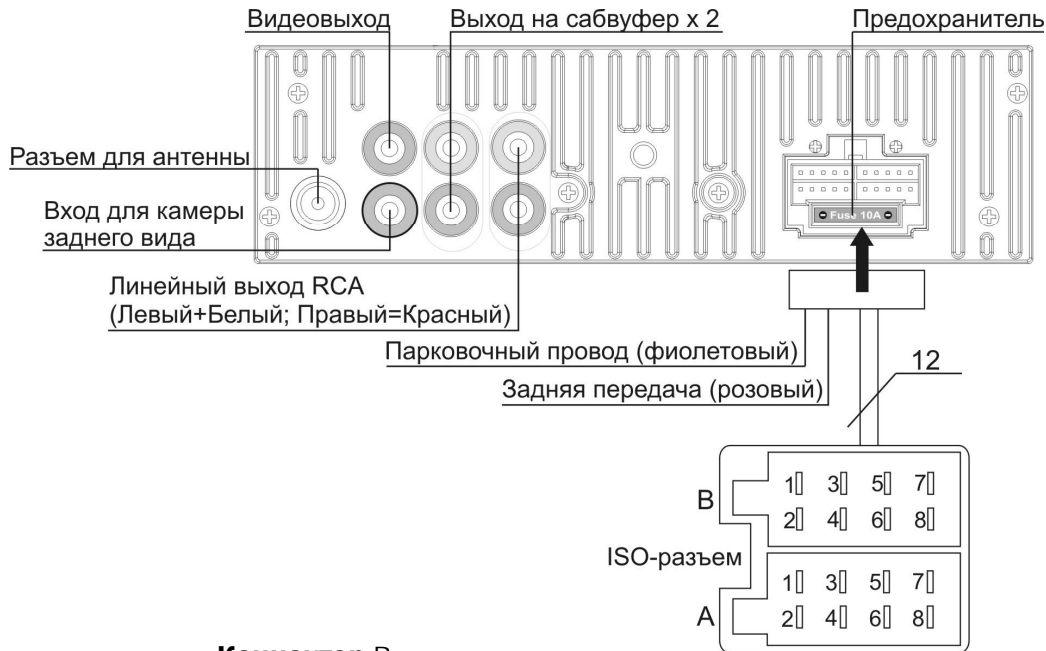
Отключите питание устройства. Снимите переднюю панель и поместите ее в предохранительный футляр.

**Внимание:** Панель может повредиться из-за внешних факторов: тряски, ударов. После снятия ее с устройства держите панель в защитном футляре и старайтесь не ронять и не наносить физических повреждений.

Очень важным элементом является коннектор на задней части панели. Не нажимайте на него ногтями, ручками, отвертками.

**Примечание:** Если панель загрязнилась или запылилась, протрите ее сухой чистой тканью. Для чистки разъема в задней части панели используйте тампон, смоченный изопропиловым спиртом.

## Схема электрических соединений



### Коннектор А

1. -
2. -
3. -
4. К аккумулятору +12 В
5. Питание антенны
6. -
7. +12 В (питание)
8. Заземление

### Коннектор В

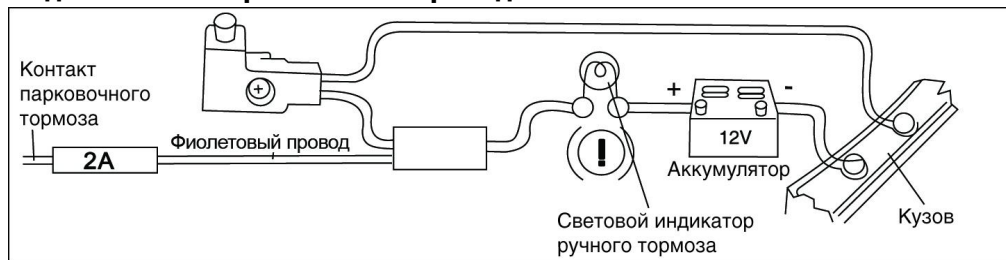
1. Тыловой правый динамик (+)
2. Тыловой правый динамик (-)
3. Фронтальный правый динамик (+)
4. Фронтальный правый динамик (-)
5. Фронтальный левый динамик (+)
6. Фронтальный левый динамик (-)
7. Тыловой левый динамик (+)
8. Тыловой левый динамик (-)

## Использование разъема ISO

Номер	Функция	
	Разъем А	Разъем В
1	-	Тыл. прав. динамик (+) - Синий
2	-	Тыл. прав. динамик (-) - Синий/Белый
3	-	Фронт прав. динамик (+) - Серый
4	Питание +12В/Желтый	Фронт прав. динамик (-) - Серый/Белый
5	Питание антенны/усилит. - Оранжевый	Фронт лев. динамик (+) - Зеленый
6	-	Фронт. лев. динамик (-) - Зеленый/Белый
7	Зажигание/Красный	Тыл. лев. динамик (+) - Коричневый
8	Заземление/Черный	Тыл. лев. динамик (-) - Коричневый/Белый

**Примечание:** Провод питания антенны предназначен для подачи питания на антенну и для удаленного управления дополнительным усилителем.

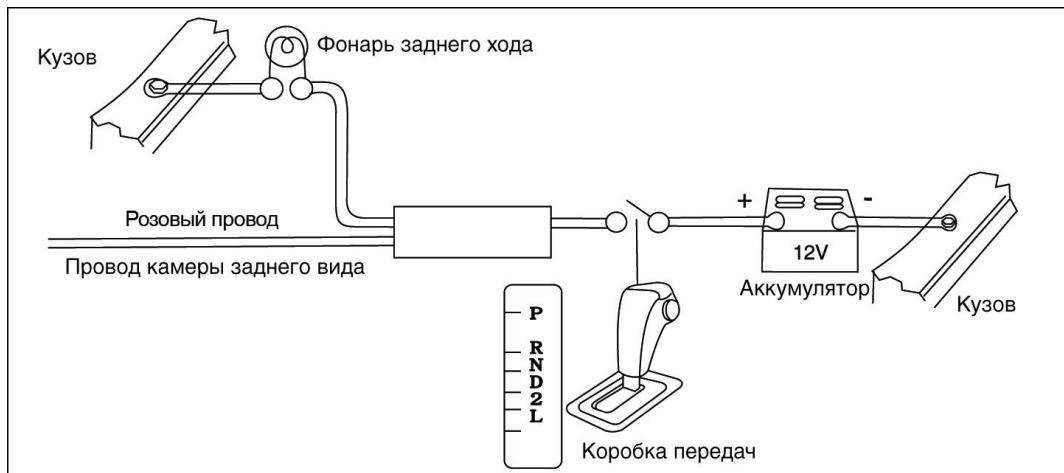
### Подключение парковочного провода



Если парковочный провод подсоединен к ручному тормозу, наличие видеоизображения на дисплее будет зависеть от движения автомобиля, настроек системы и подключенных источников видео. Во время движения автомобиля вперед при воспроизведении видеодиска на дисплее отобразится предупредительная надпись "Warning! Please stop watch video player" ("Внимание! Не используйте видеоплеер"), картинка будет отсутствовать; это позволит водителю не отвлекаться от управления автомобилем.



## Подключение провода фонаря заднего хода (для работы камеры заднего вида)

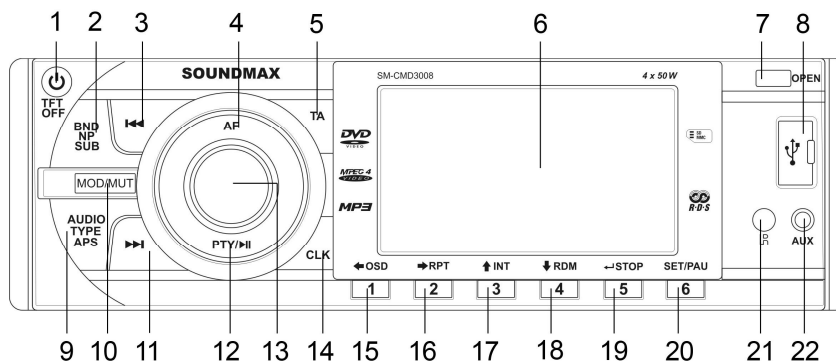


Если подключена камера заднего вида, при движении автомобиля задним ходом устройство автоматически переключится в режим камеры заднего вида. При окончании движения задним ходом устройство вернется в исходный режим.

## Элементы управления

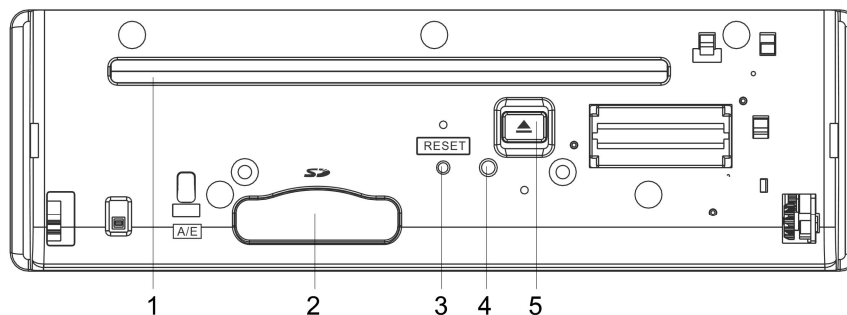
### Передняя панель

1. Кнопка POWER/TFT OFF
2. Кнопка BND/NP/SUB
3. Кнопка PREVIOUS
4. Кнопка AF
5. Кнопка TA
6. Дисплей
7. Кнопка OPEN
8. USB-порт
9. Кнопка AUDIO/TYPER/APS
10. Кнопка MOD/MUT
11. Кнопка NEXT
12. Кнопка PTY/PLAY/PAUSE
13. Регулятор VOLUME/Кнопка SELECT
14. Кнопка CLK
15. Кнопка 1/OSD/ВЛЕВО
16. Кнопка 2/RPT/ВПРАВО
17. Кнопка 3/INT/ВВЕРХ
18. Кнопка 4/RDM/ВНИЗ
19. Кнопка 5/STOP/ENTER
20. Кнопка 6/SET/PAU
21. ИК-сенсор ПДУ
22. Вход AUX



## Внутренняя панель

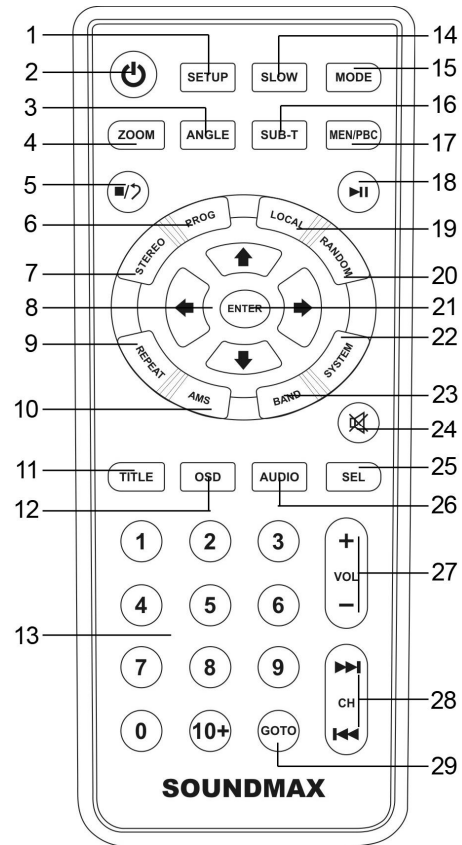
1. Слот для дисков
2. Слот для карт памяти SD/MMC
3. Кнопка (отверстие) RESET
4. Индикатор состояния панели
5. Кнопка EJECT



При нажатии кнопки RESET все выполненные установки будут удалены из памяти устройства. Индикатор состояния панели загорается, когда панель опущена, и мигает при снятии панели.

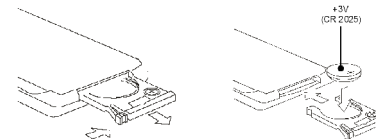
## Пульт дистанционного управления (ПДУ)

1. Кнопка SETUP
2. Кнопка POWER
3. Кнопка ANGLE
4. Кнопка ZOOM
5. Кнопка STOP
6. Кнопка PROG
7. Кнопка STEREO
8. Кнопки курсора (ВВЕРХ/ВНИЗ/ВЛЕВО/ВПРАВО)
9. Кнопка REPEAT
10. Кнопка AMS
11. Кнопка TITLE
12. Кнопка OSD
13. Кнопки с цифрами
14. Кнопка SLOW
15. Кнопка MODE
16. Кнопка SUB-T
17. Кнопка MEN/PBC
18. Кнопка PLAY/PAUSE
19. Кнопка LOCAL
20. Кнопка RANDOM
21. Кнопка ENTER
22. Кнопка SYSTEM
23. Кнопка BAND
24. Кнопка MUTE
25. Кнопка SEL
26. Кнопка AUDIO
27. Кнопки VOL+ /VOL-
28. Кнопки PREVIOUS/NEXT
29. Кнопка GOTO



## Замена батарей

1. Откройте отсек для батарей в направлении, указанном стрелкой.
2. Замените старую батарею на новую (CR 2025 3V), соблюдая полярность. Установите отсек для батарей в корпус пульта.



### Примечание:

- Не позволяйте детям играть с батареями.
- Неправильное использование батарей может стать причиной перегрева и разрушения корпуса, что в свою очередь ведет к пожару.
- Утечка батарей может сделать причиной повреждения пульта управления (Срок работы батарей – 6 месяцев при эксплуатации в обычных условиях при комнатной температуре).
- Не закорачивайте батареи. Не бросайте батареи в огонь.
- При использовании ПДУ направляйте его на инфракрасный сенсор передней панели устройства.

## Общие операции

---

### Сброс настроек устройства

Включая устройство в первый раз или после замены батареи, Вы должны переустановить его. Нажмите кнопку (отверстие) RESET на внутренней панели острым предметом (например, шариковой ручкой); будут установлены заводские настройки.

**Примечание:** При нарушении функционирования устройства Вы можете нажать кнопку RESET для сброса пользовательских настроек.

### Включение/выключение устройства

Нажмите любую кнопку на ПДУ или на панели (кроме кнопки OPEN), чтобы включить питание устройства. Нажмите и удерживайте кнопку POWER/TFT OFF на панели или нажмите кнопку POWER на ПДУ для отключения питания устройства.

### Выбор режима работы

Нажимайте кнопку MODE на ПДУ или кнопку MOD/MUT на панели для выбора режима работы устройства: Радио => Диск => USB => Карта памяти => AUX.

**Примечание:** Режимы Диск, Карта памяти и USB доступны, только когда соответствующий носитель установлен в устройство.

### Отключение звука

Нажмите и удерживайте кнопку MOD/MUT на панели или нажмите кнопку MUTE на ПДУ для отключения звука. На дисплее отобразится надпись MUTE ON. Для включения звука нажмите повторно эту кнопку или регулируйте громкость.

### Регулирование громкости

Для регулирования уровня громкости нажимайте кнопки VOL+/VOL- на ПДУ или вращайте регулятор VOLUME на передней панели.

### **Регулировка параметров звука**

Нажимайте кнопку SELECT на панели или кнопку SEL на ПДУ для выбора одного из параметров звука: BAS (низкие частоты) => TRE (высокие частоты) => BAL (баланс между правым и левым динамиками) => FAD (баланс между фронтальным и тыловым динамиками). Нажимайте кнопки VOL+/VOL- на ПДУ или вращайте регулятор VOLUME на панели, чтобы отрегулировать выбранный параметр. После выполнения настройки не нажимайте никаких кнопок, чтобы выполненные настройки сохранились.

**Примечание:** Если включен какой-либо из режимов эквалайзера, регулирование низких и высоких частот невозможно.

### **Эквалайзер**

Нажимайте кнопку SELECT на панели или кнопку SEL на ПДУ до отображения на дисплее надписи EQ OFF. Нажимайте кнопки VOL+/VOL- на ПДУ или вращайте регулятор VOLUME на панели для выбора одного из режимов эквалайзера: POP => ROCK => CLASS => FLAT => EQ OFF (выкл). После выбора режима не нажимайте никаких кнопок, чтобы выполненные настройки сохранились.

### **Тонкомпенсация**

Нажимайте кнопку SELECT на панели или кнопку SEL на ПДУ до отображения на дисплее надписи LOUD ON (OFF). Нажимайте кнопки VOL+/VOL- на ПДУ или вращайте регулятор VOLUME на панели для включения (ON) или отключения (OFF) функции компенсации низких и высоких частот, если вы хотите уменьшить уровень звука без потери четкости звучания.

### **Установка часов**

Нажмите кнопку CLK на панели для отображения на дисплее часов. Нажмите и удерживайте эту кнопку; цифры, обозначающие часы, станут зелеными. Вращайте регулятор VOLUME на панели или нажимайте кнопки VOL+/VOL- на ПДУ, чтобы выставить часы. Нажмите кнопку SEL на ПДУ или кнопку SELECT на панели; цифры, обозначающие минуты, станут зелеными. Вращайте регулятор VOLUME на панели или нажимайте кнопки VOL+/VOL- на ПДУ, чтобы выставить минуты. Нажмите кнопку CLK для подтверждения.

### **Функция Beep**

Нажимайте кнопку SELECT на панели или кнопку SEL на ПДУ до отображения на дисплее надписи BEEP ON (OFF). Вращайте регулятор VOLUME на панели или нажимайте кнопки VOL+/VOL- на ПДУ для

переключения между BEEP ON (включение функции сопровождения нажатия кнопок звуковым сигналом) и BEEP OFF (отключение функции), затем в течение некоторого времени не выполняйте никаких операций, чтобы выполненные настройки сохранились.

### **Подсветка кнопок**

Нажимайте кнопку SELECT на панели или кнопку SEL на ПДУ до отображения на дисплее надписи COLOR1 (COLOR2). Вращайте регулятор VOLUME на панели или нажимайте кнопки VOL+/VOL- на ПДУ для переключения между COLOR1 (зеленая подсветка кнопок) и COLOR2 (красная подсветка кнопок). После выполнения настройки не нажимайте никаких кнопок, чтобы выполненные настройки сохранились.

### **Отключение дисплея**

Нажмите кнопку POWER/TFT OFF на панели, чтобы отключить дисплей. Нажмите эту кнопку повторно для включения дисплея.

### **Сабвуфер**

Нажимайте кнопку SELECT на панели или кнопку SEL на ПДУ до отображения на дисплее надписи SUB ON (SUB OFF). Вращайте регулятор VOLUME на панели или нажимайте кнопки VOL+/VOL- на ПДУ для переключения между SUB ON (включение выхода сабвуфера)/SUB OFF (отключение выхода сабвуфера). Или нажимайте и удерживайте кнопку BND/NP/SUB на панели для включения/отключения сабвуфера. После выполнения настройки не нажимайте никаких кнопок, чтобы выполненные настройки сохранились.

**Примечание:** Для работы сабвуфера требуется внешний усилитель.

### **Вход AUX**

Разъем AUX предназначен для подключения внешнего аудио устройства с целью усиления звука. В случае правильного подключения аудиосигнал от внешнего источника будет транслироваться через акустику головного устройства. Это дает возможность регулировать громкость и качество звучания. Например, Вы можете подключить MP3-проигрыватель для прослушивания записей через акустику автомобиля.



## Операции с радио

---

### Выбор диапазона радио

Нажимайте кнопку BND/NP/SUB на панели или кнопку BAND на ПДУ для выбора диапазона радиовещания. Доступны 3 FM-поддиапазона: FM1, FM2, FM3 и 2 MW (AM) поддиапазона: MW1 (AM1), MW2 (AM2). В каждом поддиапазоне Вы можете сохранить в памяти устройства до 6 станций (всего 30 станций).

### Поиск радиостанций

- Поиск вручную: Нажимайте кнопки PREVIOUS/NEXT на панели или кнопки CH+/CH- на ПДУ, чтобы настроить радиочастоту вручную.
- Автоматический поиск: Нажмите и удерживайте кнопки PREVIOUS/NEXT на панели или кнопки CH+/CH- на ПДУ, устройство выполнит поиск ближайшей радиостанции с сильным сигналом вниз или вверх по диапазону. Повторяйте это действие для поиска других станций. Чтобы остановить автопоиск, нажмите одну из этих кнопок.

### Сохранение настроенных станций

На панели устройства есть 6 кнопок с цифрами, с помощью которых Вы можете сохранять и включать радиостанции в каждом диапазоне. Выберите нужную радиостанцию, затем нажмите и удерживайте кнопку с цифрой. Станция будет сохранена в памяти устройства под этой цифрой. Для вызова сохраненной станции нажмите соответствующую кнопку с цифрой.

### Автоматическое сохранение и сканирование станций

- Автоматическое сохранение: Нажмите и удерживайте кнопку AUDIO/TYPE/APS на панели или кнопку AMS на ПДУ. На дисплее отобразится надпись SCAN ON. 6 самых сильных доступных станций в текущем диапазоне будут автоматически сохранены в памяти под цифрами 1~6. Чтобы остановить автоматическое сохранение, снова нажмите эту кнопку.
- Сканирование: Нажмите кнопку AUDIO/TYPE/APS на панели или кнопку AMS на ПДУ. На дисплее отобразится надпись INTRO ON. Приемник выполнит вещание каждой сохраненной станции в течение 5 секунд.

**Моно/стерео прием (для FM радио)**

Нажимайте кнопку SELECT на панели или кнопку SEL на ПДУ до отображения на дисплее надписи ST ON (ST OFF). Вращайте регулятор VOLUME на панели или нажимайте кнопки VOL+/VOL- на ПДУ, чтобы включить режим приема стерео (ST ON) или моно (ST OFF). Также для переключения между стерео и моно режимом приема сигнала Вы можете нажимать кнопку STEREO на ПДУ.

Достичь улучшения дистанционного сигнала можно, включив режим моно, что позволяет убрать лишние звуковые шумы.

**Поиск локальных радиостанций**

Нажимайте кнопку SELECT на панели или кнопку SEL на ПДУ до отображения на дисплее надписи LOC ON (LOC OFF). Вращайте регулятор VOLUME на панели или нажимайте кнопки VOL+/VOL- на ПДУ, для переключения между LOC ON (активация приема местных радиостанций со слабым сигналом) и DLOC OFF (отключение приема местных радиостанций; прием удаленных радиостанций как со слабым, так и с сильным сигналом). Также для переключения между приемом местных и удаленных радиостанций Вы можете нажимать кнопку LOCAL на ПДУ или сенсорную кнопку LOC/DX.

**Сервис RDS**

Сервис RDS (Система радио-данных) доступен не во всех регионах. Имейте в виду, что если услуга RDS не доступна в Вашем регионе, то данная функция не будет работать.

**Функция AF (альтернативные частоты)**

При слабом сигнале функция альтернативных частот позволяет приемнику настраиваться на другие станции с тем же идентификационным кодом, что и текущая станция, но с более сильным сигналом. При этом вместо частоты на дисплее появится название станции.

Нажмите кнопку AF, чтобы включить или выключить функцию AF. На дисплее будет мигать символ AF. При включенном режиме AF радио постоянно проверяет силу сигнала альтернативных частот, на которых может транслироваться RDS программа. Если сигнал слабый или исчезает, приемник будет автоматически искать другую частоту с этой программой.

**Функция TA (программы о дорожном движении)**

В режиме радио нажмите кнопку TA для включения/отключения функции TA. На дисплее будет отображаться символ TA. Начнется автоматический поиск программ дорожного движения вне зависимости от текущего режима.

Когда программа будет найдена, начнется ее трансляция. Чтобы прервать трансляцию, нажмите кнопку TA; устройство вернется к предыдущему режиму; это не повлечет за собой отключения функции TA. Когда программа закончится, устройство автоматически вернется к текущему режиму.

### **ФункцияPTY (тип программы)**

FM-станции, поддерживающие сервис RDS, передают идентифицирующий сигнал типа программы. Нажмите кнопку PTY/PLAY/PAUSE, чтобы выбрать категорию музыкальных программ. Затем нажимайте кнопки с цифрами 1-6, чтобы выбрать разные типы музыкальных программ.

Нажмите кнопку PTY/PLAY/PAUSE дважды, чтобы выбрать категорию информационных программ. Затем нажмите кнопки с цифрами 1-6, чтобы выбрать нужный тип информационных программ. Каждый номер содержит две или три разных информационных программы на выбор.

Кнопка	Музыкальные программы		Информационные программы	
1	Pop, Rock	Поп-музыка, Рок-музыка	News, Affairs, Info	Новости, Текущая информация, Общая информация
2	Easy, Light	Легкая музыка, Легкая классическая музыка	Sport, Educate, Drama	Спортивные новости, Образовательные программы, Радиопостановки и сериалы
3	Classics	Классическая музыка	Culture, Science, Varied	Культурные программы, Наука и техника, Развлекательные программы
4	Jazz, Country	Джаз, Музыка кантри	Weather, Finance, Children	Метеорологическая информация, Коммерция, Программы для детей
5	Nation, Oldies	Национальная музыка, Музыка ретро	Social, Religion, Phone IN	Социальные новости, Религиозные программы, Ток-шоу
6	Folk	Народная музыка	Travel, Leisure, Document	Программы для путешественников, Хобби и развлечения, Документальные программы

При включенной функцииPTY приемник начинает поиск соответствующего типа программы; поиск останавливается, когда программа найдена. Если в течение нескольких секунд ни одна программа не была выбрана, приемник настроится на предыдущую программу. Если за один цикл нужный тип программы не найден, приемник вернется к текущему режиму.

### **Дополнительные функции**

Для выбора нужной функции нажмите и удерживайте кнопку SELECT на панели или кнопку SEL на ПДУ, после чего нажимайте ее до отображения на дисплее нужной функции. Вращайте регулятор VOLUME на панели или нажимайте кнопки VOL+/VOL- на ПДУ, чтобы выбрать нужную опцию. После осуществления выбора несколько секунд не нажимайте никаких кнопок, чтобы активировать изменения.

- Функция TA SEEK/TA ALARM: В режиме TA SEEK устройство выполнит поиск программ о дорожном движении при нажатии кнопки TA; TA ALARM: когда выбран данный режим, функция автоматической перенастройки радиоприемника не работает. Вместо этого радиоприемник включает звуковое оповещение.
- PI SOUND/MUTE: PI sound: Если автомобиль перемещается в критической зоне, может появиться эффект частого переключения между двумя разными радиостанциями, потому что может быть принят другой код PI на той же частоте. Когда в описанной выше ситуации произойдет переключение на другую радиостанцию с другим кодом PI, в течение короткого времени будет слышна трансляция данной радиостанции. PI mute: В описанном выше случае на короткое время звучание будет отключено.
- RETUNE L/RETUNE S: «RETUNE» означает временной интервал прерывания радиосигнала для сканирования. «S» означает короткий интервал; «L» означает длинный интервал.

**Примечание:** Режим Retune для режима TA активен только для TA SEEK.

- Функция MASK DPI/MASK ALL: После включения режима AF (поиск альтернативных частот с той же программой), программа, которую Вы прослушиваете, может быть замещена другой программой, которая вещает на той же частоте. Чтобы этого избежать, активируйте функцию MASK DPI. В режиме MASK DPI устройство маскирует только альтернативные частоты с разными информационными программами. В режиме MASK ALL устройство маскирует и информационные программы, и станции, не поддерживающие RDS.

## Операции с дисками

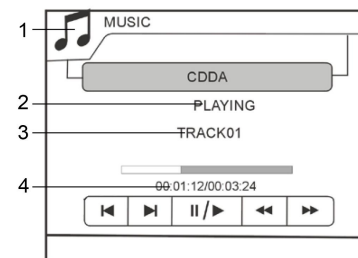
### Загрузка/извлечение диска

- Откройте переднюю панель и вставьте диск в слот маркированной стороной вверх. Диск автоматически загрузится в устройство. Начнется воспроизведение первого файла на диске или в корневом каталоге. Закройте переднюю панель.
- Чтобы извлечь диск из устройства, откройте переднюю панель и нажмите кнопку EJECT. Если диск не достать из слота в течение нескольких секунд, он будет автоматически загружен обратно в слот. При извлечении диска из слота устройство автоматически переключится в другой режим.

### Воспроизведение файлов MP3/WMA/DivX/JPEG

После загрузки носителя, на котором содержатся файлы в форматах MP3/DivX/JPEG, на дисплее отобразится следующий интерфейс:

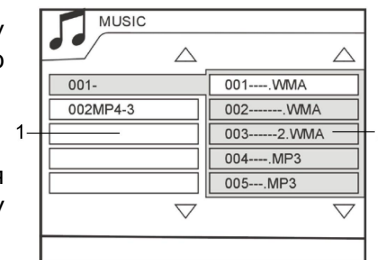
1. Тип файла: музыка/фото/видео
2. Состояние воспроизведения
3. Номер/имя трека, папки или файла (в зависимости от формата)
4. Истекшее/оставшееся время текущего трека



Нажмите кнопку STOP на ПДУ или нажмите и удерживайте кнопку 5/STOP/ENTER на панели; на дисплее отобразится следующее меню диска:

1. Список папок
2. Список файлов

Выберите нужный файл или папку с помощью кнопок курсора. Для подтверждения выбора нажмите кнопку ENTER на ПДУ или кнопку 5/STOP/ENTER на панели.



Если Вы используете диск, содержащий файлы разных типов, нажимайте кнопку MEN/PBC на ПДУ для выбора файлов с музыкой, видео или изображениями.

**Примечание:** Производитель гарантирует нормальное воспроизведение только лицензионных дисков. Воспроизведение некоторых AVI-файлов может оказаться невозможным в зависимости от их конфигурации и параметров, а также условий записи. Видеофайлы с расширением AVI объемом более 2 Гб могут воспроизводиться устройством не полностью.

### **Воспроизведение/Пауза/Остановка**

Во время воспроизведения нажмите кнопку PLAY/PAUSE на ПДУ или нажмите и удерживайте кнопку 6/SET/PAU на панели, чтобы установить воспроизведение на паузу. Выполните это действие еще раз, чтобы продолжить воспроизведение. Для остановки воспроизведения нажмите кнопку STOP на ПДУ или кнопку 5/STOP/ENTER на панели.

### **Выбор треков/глав**

Во время воспроизведения нажмите кнопку PREVIOUS для перехода к предыдущему треку/главе (в зависимости от формата). Нажмите кнопку NEXT для перехода к следующему треку. Нажмите кнопку с цифрой (0-9) на ПДУ для выбора соответствующего трека/главы.

### **Перемотка вперед/назад**

Нажимайте и удерживайте кнопку PREVIOUS или NEXT для перемотки назад или вперед. Скорость перемотки будет увеличиваться при каждом нажатии и удержании кнопки PREVIOUS или NEXT в следующем порядке: x2 => x4 => x8 => x20 => норм. Для возврата к воспроизведению с нормальной скоростью нажмите кнопку PLAY/PAUSE на ПДУ или кнопку PTY/PLAY/PAUSE на панели.

### **Повторное воспроизведение**

Нажимайте и удерживайте кнопку 2/RPT/ВЛЕВО на панели или нажимайте кнопку REPEAT на ПДУ, чтобы выбрать режим повторного воспроизведения. В зависимости от воспроизводимого формата режимы воспроизведения могут меняться (повтор трека/главы, повтор папки, повтор всего диска, отмена повтора).

### **Обзорное воспроизведение**

Нажмите и удерживайте кнопку 3/INT/ВВЕРХ на панели, чтобы начать обзорное воспроизведение. Устройство будет последовательно воспроизводить несколько начальных секунд каждого трека. Нажмите и удерживайте кнопку еще раз, чтобы отменить обзорное воспроизведение.

### **Случайное воспроизведение**

Нажмите кнопку RANDOM на ПДУ или нажмите и удерживайте кнопку 4/RDM/ВНИЗ, чтобы начать случайное воспроизведение треков/разделов на диске. Нажмите кнопку еще раз, чтобы отменить случайное воспроизведение.

### **Воспроизведение по заданным параметрам**

Нажмите кнопку GOTO; на экране отобразится меню, в котором Вы можете ввести нужные параметры, такие как номер или время трека/главы/раздела. Используйте кнопки курсора на ПДУ для навигации по меню параметров и кнопки с цифрами для ввода нужных значений. Нажмите кнопку 5/STOP/ENTER на панели или кнопку ENTER на ПДУ, воспроизведение начнется с учетом введенных параметров.

### **Программирование воспроизведения**

- Нажмите кнопку PROG, чтобы войти в меню программирования воспроизведения.
- С помощью кнопок курсора выберите позицию программы, затем нажимайте кнопки с цифрами, чтобы ввести номер нужного трека/раздела/главы (в зависимости от типа диска).
- Нажмите кнопку PLAY/PAUSE, чтобы начать воспроизведение программы, или установите курсор на пункт «ВСОПР» и нажмите кнопку 5/STOP/ENTER на панели или кнопку ENTER на ПДУ для запуска программы.
- Установите курсор на пункт «СБРОС», нажмите кнопку 5/STOP/ENTER на панели или кнопку ENTER на ПДУ, чтобы удалить программу. Нажмите кнопку PROG, чтобы выйти из меню программирования.

### **Отображение информации на дисплее**

Нажимайте кнопку OSD на ПДУ или нажимайте и удерживайте кнопку 1/OSD/ВЛЕВО для отображения различной информации о текущем воспроизведении, такой как номер трека/главы/раздела, оставшееся/истекшее время воспроизведения трека/главы/раздела, общее оставшееся время треков/глав/разделов (в зависимости от типа диска).

### **Изменение масштаба**

Во время воспроизведения видео или файлов с изображениями нажимайте кнопку ZOOM на ПДУ для увеличения или уменьшения масштаба изображения в следующем порядке: X2 => X3 => X4 => X1/2 => X1/3 => X1/4 => нормальный масштаб. Вы можете перемещать приближенное изображение с помощью кнопок курсора.

### **Замедленное воспроизведение**

Во время воспроизведения нажимайте кнопку SLOW на ПДУ, чтобы выбрать скорость замедленного воспроизведения: 1/2 => 1/3 => 1/4 => 1/5 => 1/6 => 1/7 => норм. Во время замедленного воспроизведения нажмите и удерживайте кнопку 6/SET/PAU на панели или нажмите кнопку PLAY/PAUSE на ПДУ для возврата к нормальному воспроизведению.

### **Функция PBC (Управление воспроизведением) (для VCD)**

Данная функция доступна только для VCD-дисков, поддерживающих PBC. Нажмите и удерживайте кнопку MEN/PBC на ПДУ, чтобы включить или отключить PBC. На дисплее отобразится меню разделов, в котором Вы можете выбрать нужный раздел с помощью кнопок с цифрами на ПДУ.

### **Угол просмотра (для DVD)**

Нажмите кнопку ANGLE на ПДУ, чтобы выбрать угол просмотра эпизода. Данная функция доступна только для дисков, содержащих эпизоды, снятые под несколькими углами.

### **Выбор языка аудио (для DVD)**

Нажимайте кнопку AUDIO на ПДУ для выбора нужного языка аудио. Данная функция доступна только для дисков, поддерживающих несколько языков аудио.

### **Выбор языка субтитров (для DVD)**

Нажимайте кнопку SUB-T на ПДУ для выбора нужного языка субтитров. Данная функция доступна только для дисков, поддерживающих несколько языков субтитров.

### **Выбор аудиоканала**

При воспроизведении диска VCD или CD нажимайте кнопку AUDIO на ПДУ или нажимайте и удерживайте кнопку AUDIO/TYPE/APS на панели для выбора канала аудио: Моно левый => Моно правый => Стерео.



**Выбор системы видео**

При воспроизведении видео нажимайте кнопку SYSTEM на ПДУ или кнопку BND/NP/SUB на панели для выбора системы видео (NTSC/PAL/PAL60/Авто).

**Меню разделов (для DVD)**

- Нажмите кнопку MEN/PBC на ПДУ, чтобы активировать меню диска. В меню диска Вы можете выбрать нужный пункт с помощью кнопок курсора, затем запустить его воспроизведение с помощью кнопки ENTER на ПДУ или кнопки 5/STOP/ENTER на панели.
- При воспроизведении диска DVD нажмите кнопку TITLE для перехода к меню разделов диска.

**Примечание:** Данные операции доступны только для дисков, поддерживающих функцию активного меню.

**ID3-тэги**

Если MP3 файл содержит информацию совместимого формата ID3-tag, эта информация будет отображаться на дисплее.

## Операции с USB-накопителями/картами памяти SD/MMC

---

### **Примечания по USB/SD/MMC-разъемам**

USB: Поддержка формата USB 2.0. Емкость: до 32 Гб.

SD/MMC: Для корректной работы устройства используйте лицензионные карты памяти известных производителей. Избегайте использования нелицензионных карт памяти. Емкость: до 32 Гб.

### **Установка USB/SD/MMC-карты**

Установите USB носитель или карту памяти в соответствующий слот на передней панели. Устройство автоматически переключится в режим USB или SD/MMC карты. Если устройство находится в другом режиме, нажимайте кнопку MOD/MUT на панели или кнопку MODE на ПДУ, чтобы выбрать режим воспроизведения USB или карты памяти. Воспроизведение начнется с первого трека установленного носителя.

Операции с файлами, содержащимися на USB-накопителе или карте памяти, соответствуют операциям с файловыми дисками, описанным выше в параграфе «Операции и дисками».

## Экранное меню настройки

Нажмите кнопку SETUP на ПДУ или кнопку 6/SET/PAU на панели для входа в меню настройки системы; с помощью кнопок курсора ВВЕРХ/ВНИЗ выберите страницу настроек: Система, Диск. Нажмите кнопку курсора ВПРАВО, чтобы перейти к списку параметров выбранной страницы. На странице параметров выберите параметр с помощью кнопок курсора ВВЕРХ/ВНИЗ, затем нажмите кнопку ENTER на ПДУ или кнопку 5/STOP/ENTER на панели для перехода к списку настроек. С помощью кнопок курсора ВВЕРХ/ВНИЗ выберите настройку. Нажмите кнопку ENTER на ПДУ или кнопку 5/STOP/ENTER на панели для подтверждения. Нажмите кнопку SETUP на ПДУ или кнопку 6/SET/PAU на панели для перехода к предыдущей странице меню.

### Система

- NTSC/PAL

Выберите систему ТВ (NTSC, PAL, PAL60, АВТО).

- Настройки

Отрегулируйте яркость, контрастность, оттенок, насыщенность и четкость изображения.

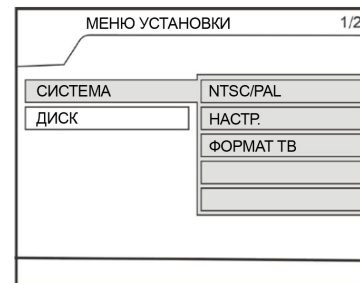
- Формат ТВ

Выберите режим экрана для просмотра широкоэкранных фильмов.

4:3 PS: Для размера экрана 4:3. Края изображения будут обрезаны.

4:3 LB: Для размера экрана 4:3, сверху и снизу изображения появятся черные полосы.

16:9 wide: Для размера экрана 16:9.



## Диск

- Язык меню

Выберите язык экранного меню.

- Язык аудио

Выберите язык аудио. Вы можете выбрать язык из предложенных на DVD диске.

- Язык субтитров

Выберите язык субтитров. Вы можете выбрать язык субтитров из предложенных на DVD диске.

- Пароль

Изменение пароля. Первоначально установлен фабричный пароль 0000. Вы можете установить собственный пароль. Если Вы забыли собственный пароль, вы можете использовать пароль 0000 как основной.

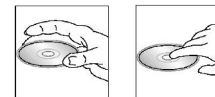
- Уровень

Эта функция предназначена для контроля родителями за содержанием дисков при их воспроизведении и защищает Ваших детей от сцен насилия и эротики. Диск, уровень которого выше, чем установленный с помощью данной функции, не будет воспроизводиться. Вы можете установить рейтинг только при выключенной функции пароля. Ограничения будут действовать только при включенной функции пароля.



## Обращение с дисками

- Грязные, поцарапанные или погнутые диски могут вызвать искажение звука или шумы
- Держите диск только за края. Чтобы обеспечить чистоту, не прикасайтесь к его поверхности.
- Диски должны храниться в их чехлах после использования, чтобы не поцарапать их поверхность.
- Не подвергайте диски действию прямого солнечного света, повышенной влажности, повышенным температурам или действию пыли.
- Продолжительное влияние предельных температур может изогнуть диск (например, пребывание дисков в автомобиле в летнее время).
- Не царапайте и не пишите что-либо на любой стороне диска. Острые пишущие инструменты или чернила, используемые в них, могут повредить поверхность диска.
- Не оставляйте никаких следов на рабочей стороне диска. Не прикрепляйте этикетки или стикеры к любой стороне диска.



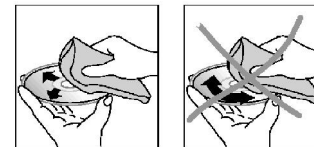
## Чистка и уход

### Чистка корпуса

Протирайте мягкой тканью. Если корпус очень загрязнен (не мочите его), используйте мягкую ткань.

### Чистка дисков

Отпечатки пальцев должны быть тщательно стерты с поверхности диска мягкой тканью. В отличие от обычных пластинок, компакт-диски не имеют канавок для сбора пыли и микроскопических частиц грязи, поэтому их можно легко отчистить мягкой тканью. Вытирайте прямолинейным движением от центра к краю.



Никогда не используйте растворитель, бензин, очиститель пластинок или антистатический аэрозоль для чистки дисков. Такие химические вещества могут повредить его пластиковые поверхности.

## Руководство по устранению неисправностей

Ниже приводится таблица, в которой описаны простые проверки, способные помочь Вам устранить большую часть проблем, могущих возникнуть при использовании данного устройства. Если нижеуказанные меры не помогли, обратитесь в сервисный центр или к ближайшему дилеру.

Неисправность	Причина	Решение
Нет питания	Зажигание машины не включено.	Если источник питания подключен надлежащим образом к выключателю машины, установите ключ зажигания в положение "ACC".
	Сгорел предохранитель.	Замените предохранитель.
Нет звука	Уровень громкости звука установлен на минимум.	Отрегулируйте громкость звука до необходимого уровня.
	Кабель не подключен надлежащим образом.	Проверьте подключение кабеля.
Плохое качество звучания	Угол установки устройства более 35 градусов.	Отрегулируйте угол установки, установив его менее 35 градусов.
	Диск загрязнен или имеет дефект.	Очистите диск или используйте новый диск.
Диск не загружается или не извлекается из устройства	В устройстве уже есть диск.	Извлеките диск из устройства, затем установите новый диск.
	Конденсация влаги.	В течение часа не пользуйтесь устройством, затем повторите попытку.

Устройство не считывает диск	Диск установлен верхней стороной вниз.	Установите диск стороной с маркировкой вверх.
	Диск загрязнен или имеет дефект.	Очистите диск или установите новый.
	Температура внутри автомобиля очень высокая.	Подождите, пока температура не станет нормальной.
Не работают кнопки	Встроенный микрокомпьютер не работает надлежащим образом.	Выполните перезапуск устройства с помощью кнопки RESET.
	Передняя панель установлена некорректно.	Установите заново переднюю панель.
Радиоприемник не работает	Кабель антенны не подключен к устройству.	Подключите к устройству кабель антенны.

## Технические характеристики

<b>Общие</b>	
Источник питания	12 В
Максимальная выходная мощность	4 x 50 Вт
Поддержка носителей	DVD/DVD±R/DVD±RW, CD/CD-R/CD-RW, USB, SD/MMC
Форматы воспроизведения	DVD-video/DVD-audio/SVCD/VCD/CDDA/HDCD/MP3/Picture-CD/Photo-CD/JPEG/MPEG4 (DivX/XviD)
Размеры устройства/вес нетто	178 x 178 x 51 мм/1,9 кг
Размеры коробки/вес брутто	220 x 294 x 100 мм/2,16 кг
Электронная система стабилизации	8 сек для DVD, 40 сек для CD, 120 сек для MP3
Диапазон температур	-20°C - +60°C
<b>ЖК дисплей</b>	
Размер дисплея	3 дюйма
Разрешение	320 (RGB) x 240
Формат	16:9
Контрастность	400:1
Яркость	300 кд/м <sup>2</sup>
Угол обзора	120° по вертикали, 120° по горизонтали
<b>FM радио</b>	
Частотный диапазон	87,5 МГц – 108 МГц
Используемая чувствительность	12 дБ
Память цифрового тюнера	18 станций
<b>AM радио</b>	
Частотный диапазон	522 – 1620 КГц
Память цифрового тюнера	12 станций

Технические характеристики могут быть изменены заводом-изготовителем без предварительного уведомления. Указанные масса и геометрические размеры имеют приблизительные значения.