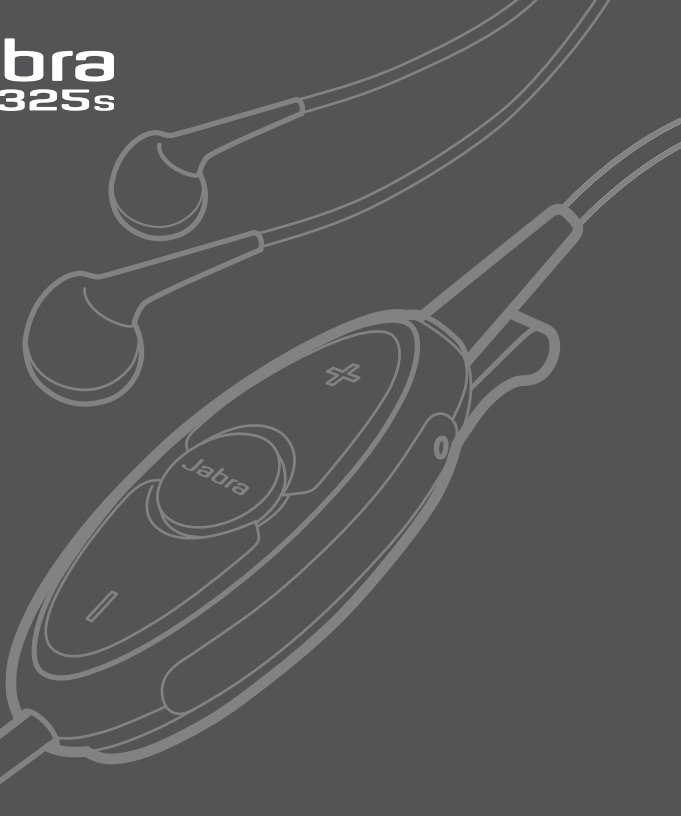


© 2006 Jabra, GN Mobile A/S (GN Netcom A/S). All rights reserved. Jabra® is a registered trademark of GN Mobile A/S (GN Netcom A/S). All other trademarks included herein are the property of their respective owners. The Bluetooth® word mark and logos are owned by the Bluetooth SIG, Inc. and any use of such marks by GN Mobile A/S (GN Netcom A/S) is under license. (Design and specifications subject to change without notice)



Jabra

BT 325s



www.jabra.com



RELEASE YOUR JABRA

Jabra

Bluetooth headset

User manual

Jabra

TOLL FREE Customer Contact Details:

Phone Numbers:

Belgique/Belgie	00800 722 52272
Danmark	702 52272
Deutschland	0800 1826756
Die Schweiz	00800 722 52272
España	900 984572
France	0800 900325
Italia	800 786532
Luxembourg	00800 722 52272
Nederland	0800 0223039
Norge	800 61272
Österreich	00800 722 52272
Portugal	00800 722 52272
Suomi	00800 722 52272
Sverige	020792522
United Kingdom	0800 0327026
International	00800 722 52272

Email Addresses:

Deutsch	support.de@jabra.com
English	support.uk@jabra.com
Français	support.fr@jabra.com
Italiano	support.it@jabra.com
Nederlands	support.nl@jabra.com
Español	support.es@jabra.com
Scandinavian	support.no@jabra.com

www.jabra.com

Fig. 1

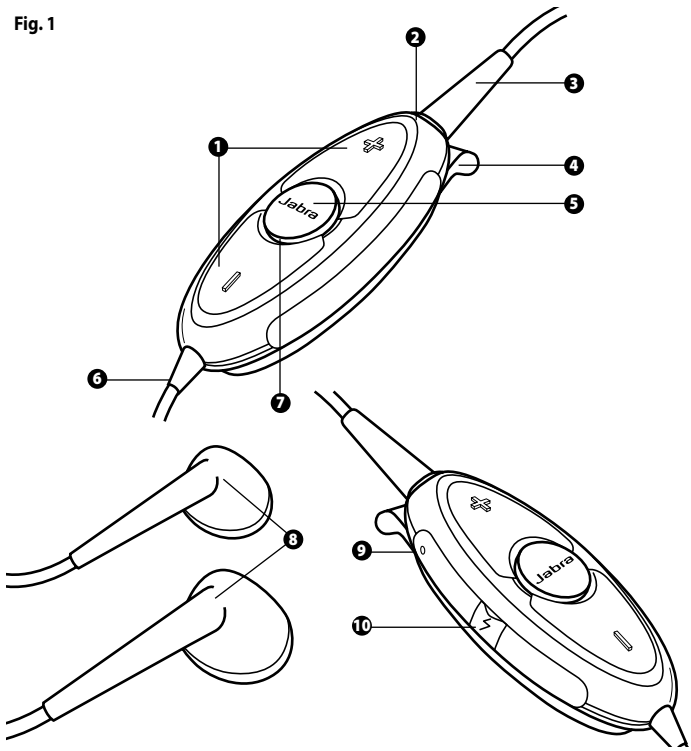


Fig. 2

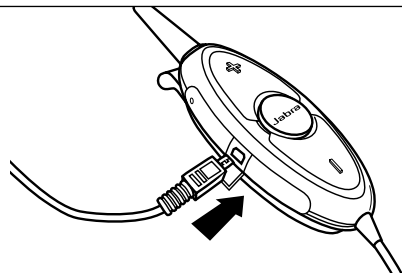


Fig. 3

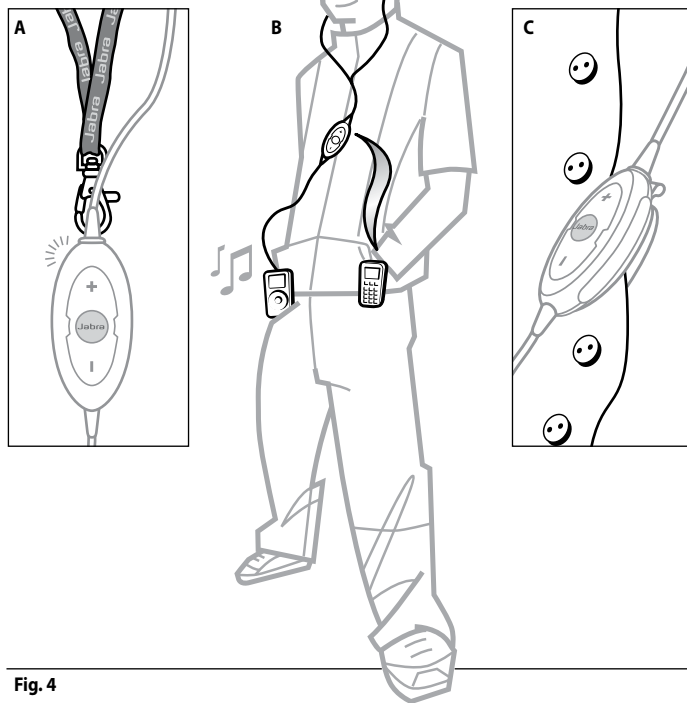


Fig. 4



English.....	1
Français	13
Deutsch	25
Italiano	37
Nederlands	49
Español.....	61
Dansk	73
Suomi	85
Svenska	97
Norsk.....	109
Português	121
Ελληνικά.....	133

English

Thank you.....	2
GETTING STARTED.....	4
1. Charge your Jabra BT325s.....	5
2. Turn on your Jabra BT325s.....	5
3. Pairing with a mobile phone.....	5
4. Wearing your Jabra BT325s.....	6
5. Listening to your music from your stand-alone music player.....	6
6. How to.....	6
7. Exchanging the Jabra headphones.....	7
8. What the lights mean.....	8
9. Troubleshooting and FAQ.....	8
10. Need more help?.....	9
11. Taking care of your headset.....	9
12. Warranty.....	10
13. Certification and safety approvals.....	11
14. Glossary.....	11

Thank you

Thank you for purchasing the Jabra BT325s Bluetooth headset. We hope you enjoy it. The user guide will get you started and ready to make the most of your Jabra headset.

! Remember, driving comes first not the call!

Using a mobile phone while driving can distract you and increase the risk of an accident. If driving conditions demand it (such as bad weather, high traffic density, presence of children in the car or difficult road conditions), pull off the road and park before making or answering calls. Also, try and keep conversation short and do not make notes or read documents.

Use of this headset with both ears covered while driving may not be permitted in certain countries.

Remember: Always drive safely, avoid distractions and follow local laws.

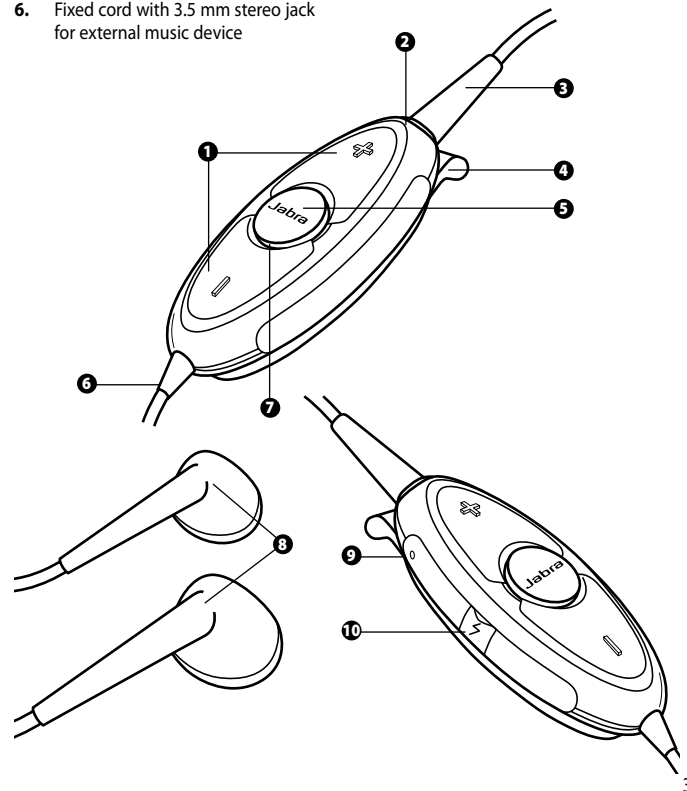
Protect your hearing!

WARNING: Using the headphones at high volume may result in permanent hearing loss. If you experience ringing in your ears, reduce the volume or discontinue using the headphones. With continued use at high volume, your ears may become accustomed to the sound level, which may result in permanent damage to your hearing. Keep the volume at a safe level. Using headphones while operating a motor vehicle, motorcycle, watercraft or bicycle may be dangerous, and is illegal in some countries. Check your local laws. Use caution while using your headphones when you are engaging in any activity that requires your full attention. While engaging in any such activity, removal of the speakers from your ear area or turning off your headphones will keep you from being distracted, so as to avoid accident or injury.

If using a set of headphones other than the supplied Jabra model, please note that differences in impedance and sensitivity might limit or increase the maximum volume output level. Therefore, always use extra precaution when using other headphones than the original Jabra model.

About your Jabra BT325s

- | | |
|---|-------------------------------------|
| 1. Volume up (+) Volume down (-) | 7. Indicator Light |
| 2. Headphone socket | 8. Stereo headphones (exchangeable) |
| 3. Headphone connector (detachable) | 9. Microphone |
| 4. Clothing clip with lanyard loop | 10. Charging socket |
| 5. Answer/end button | |
| 6. Fixed cord with 3.5 mm stereo jack for external music device | |



What your new headset can do

The Jabra BT325s lets you listen to your favorite stand-alone music player, while ensuring that you never miss a call from your Bluetooth enabled mobile phone.

Your Jabra BT325s lets you do all this, when acting as a Bluetooth headset:

- Pair with up to 8 devices
- Answer calls
- End calls
- Reject calls*
- Voice dialing*
- Last number redialing*
- Call waiting*
- Place call on hold*

* Phone dependent

Please note that all buttons on the Bluetooth device are dedicated to controlling the above functionality.

Specifications:

- Talk time up to 8 hours/standby time up to 240 hours
- Rechargeable battery with charging option from AC power supply
- Weighs less than 40 grams incl. the original Jabra headphones
- Operating range up to 33 feet (approx. 10 meters)
- Handsfree (default) and Headset Bluetooth profiles
- Bluetooth specification 1.2 (*See glossary page 11*)
- IPx2 (The Jabra BT325s can withstand a short rain shower)

Please note that your Jabra BT325s can withstand a short rain shower but is not waterproof and cannot be submerged. If your device gets wet, it should be wiped clean of any traces of water in order to protect it from potential damage.

GETTING STARTED

The Jabra BT325s is easy to operate. All buttons are dedicated to control your mobile phone calls, and the buttons performs different function depending on how long you press them:

Instruction:	Duration of press:
Tap	Press briefly and let go
Press	Approx: 1 second
Press and hold	Approx: 5 seconds

1 Charge your Jabra BT325s

Fully charge your Jabra BT325s, before you start using it. Use only the chargers provided in the box – do not use chargers from any other devices as this might damage your Jabra BT325s.

Connect the Jabra BT325s as shown in fig. 2. to the AC power supply to charge from a power socket. When the indicator lights are solid red, your headset is charging. When the lights turn to green, the headset is fully charged.

2 Turn on your Jabra BT325s

- **Press** the answer/end button to turn on the Jabra BT325s - when the device is on the LED indicator light will flash four times.
- **Press and hold** the answer/end button to turn the device off

Note that the Jabra BT325s can still play music from the stand-alone music player even though the Jabra BT325s is turned off.

3 Pairing with a mobile phone

Before using the Jabra BT325s with a mobile phone, you must first pair it.

1. Put the Jabra BT325s into pairing mode:

- Make sure the headset is turned off.
- **Press and hold** the answer/end button until the indicator light is solid blue.

2. Set your mobile phone to 'discover' the Jabra BT325s

Follow your phone's instruction guide. This usually involves going to a 'set up' 'connect' or 'Bluetooth' menu on your phone and selecting the option to discover or add a Bluetooth device. (*See example from typical mobile phone in fig. 4*)

3. Your phone will find the Jabra BT325s

Your phone will ask if you want to pair with it, accept this with 'yes' or 'ok' and confirm with **the passkey or PIN=0000 (4 zero's)**

Your phone will confirm when pairing is complete. In case of unsuccessful pairing repeat steps 1 to 3.

4 Wearing your Jabra BT325s

Your Jabra BT325s is designed to be comfortably worn using the integrated clothing clip or lanyard loop (lanyard not included). The microphone is integrated on the top left side of the device (**when viewing the Jabra BT325s as shown in figure 3. A**). Please take this into account when positioning the main device to ensure a clear pickup of your voice. (See fig. 3. B)

5 Listening to your music from your stand-alone music player

The Jabra BT325s realizes its full potential when used in conjunction with a stand-alone music player. This could be an MP3-player, a portable media center or any other external music device, featuring a standard 3.5mm stereo connector.

To use the Jabra BT325s with your music player, plug the 3.5 mm jack into the headphone socket on your music player. You are now able to listen to your favorite tunes whilst ensuring that you will never miss a call from your Bluetooth enabled mobile phone.

Please note that all controls on the Jabra BT325s are dedicated for controlling your mobile phone calls. Controlling your music, ex. start/stop, skip track forward/backward, volume etc., must be done from your music device.

The Jabra BT325s is compatible with most stand-alone music players.

6 How to....

Listen to music

Plug in the 3.5mm fixed cord into your stand-alone music device. The Jabra BT325s does not need to be turned on for listening to music. You can also unplug the headphones and insert them directly into the music device as regular headphones.

Answer a call

Tap the answer/end button on your Jabra BT325s to answer a call when phone is ringing. Music will fade automatically when an incoming call comes in.

End a call

Tap the answer/end button to end an active call. Music will continue automatically after the call.

Reject a call*

Press the answer/end button when the phone rings to reject an incoming call. Depending on your phone settings, the person who called you will either be forwarded to voice mail or hear the busy signal.

Make a call*

When you make a call from your mobile phone, music will fade and the call will (subject to phone settings) automatically be transferred to the Jabra BT325s when connected.

Activate voice dialing*

Tap the answer end button and speak the name. For best results, please record the voice-dialing tag when you are wearing the Jabra BT325s. Please consult your phone's user manual for more info on using this feature.

Redial last number*

Press the answer end button.

Call waiting and placing a call on hold*

This lets you put a call on hold during conversation to answer an incoming call.

- **Press** the answer/end button once to put the active call on hold and answer the incoming call
- **Press** the answer/end button to switch between the two calls
- **Tap** the answer/end button to end the active conversation

Adjust sound and volume

Press the volume up or down (+ or -) to adjust the volume. (See fig. 1)

*Phone dependent

7 Exchanging the Jabra headphones

In order to exchange your supplied Jabra headphones with your favourite set, simply plug your headphone jack into the headphone socket on the Jabra BT325s.

If using another set of headphones than the supplied Jabra model, please note that differences in impedance and sensitivity might limit or increase the maximum volume output level. An impedance level of 16 Ohm is recommended for the best performance. However, always use extra precaution when using another set of headphones than the original Jabra model.

8 What the lights mean

What you see	What is the mean about your headset
Flashing blue light	Flashing every second: active on a call
Flashing blue light	Flashing every three seconds: in standby mode
Flashing red light	Running low on battery
Solid red light	Charging
Solid green light	Fully charged
Solid blue light	In pairing mode – see section 3

9 Troubleshooting and FAQ

I hear crackling noises

Bluetooth is a radio technology which means it is sensitive to objects between the headset and the device it is connected to. You should be able to have a bout 10 meters (33 feet) of distance between the headset and the connected device when there are no major objects in the way (Walls etc.).

I cannot hear the phone call in the headset

Increase the volume on the BT325s.

Ensure that the headset is paired to your phone.

Make sure your phone is connected to the headset in the phone's menu or by tapping the answer/end button on the BT325s.

I have pairing problems

You may have deleted your pairing connection in your mobile phone - follow the pairing instructions in section 3.

I cannot use Reject call, call on hold, redial or voice dialing

These features are dependent on your phone supporting Bluetooth handsfree profile, please consult your phone's manual for details.

I cannot hear music in the headset

Increase the volume on your music device.

Ensure that the headphones are connected properly to the BT325s

Make sure the BT325s are connected to the 3.5 mm port on the music device

Make sure that the BT325s is charged (it does not need to be turned on, but should be charged)

If the BT325s has run out of batteries and you are not able to charge, you can connect the headphones directly to the music device.

I cannot control the music volume through the volume control on the BT325s

The volume control and answer/end button are dedicated to phone call controlling.

I want music to pause when I am on a call

Music will continue playing when you are on a phone call. If you want it to pause, please use pause/stop on your music device.

10 Need more help?

Jabra offers Customer support online at www.jabra.com or you can see the inside cover for the support details for your country.

11 Taking care of your headset

- Always store the Jabra BT325s with the power off and safely protected
- Avoid storage at extreme temperatures (above 45°C/113°F – including direct sunlight – or below -10°C/14°F). This can shorten battery life and may affect operation. High temperatures may also degrade performance.
- If exposed to water or other liquids, the device should be wiped clean from any traces of water.

12 Warranty

Jabra (GN Netcom) warrants this product against all defects in material and workmanship for a period of two years from the date of original purchase. The conditions of this warranty and our responsibilities under this warranty are as follows:

- The warranty is limited to the original purchaser
- A copy of your receipt or other proof of purchase is required
- The warranty is void if the serial number, date code label or product label is removed, or if the product has been subject to physical abuse, improper installation, modification, or repair by unauthorized third parties
- The responsibility of Jabra (GN Netcom) products shall be limited to the repair or replacement of the product at its sole discretion
- Any implied warranty on Jabra (GN Netcom) products is limited to two years from the date of purchase on all parts, including any cords and connectors
- Specifically exempt from any warranty are limited-life consumable components subject to normal wear and tear, such as microphone windscreens, ear cushions, decorative finishes, batteries, and other accessories
- Jabra (GN Netcom) is not liable for any incidental or consequential damages arising from the use or misuse of any Jabra (GN Netcom) product
- This warranty gives you specific rights and you may have other rights which vary from area to area
- Unless otherwise instructed in the User Manual, the user may not, under any circumstances, attempt to perform service, adjustments or repairs on this unit, whether in or out of warranty. It must be returned to the purchase point, factory or authorized service agency for all such work
- Jabra (GN Netcom) will not assume any responsibility for any loss or damage incurred in shipping. Any repair work on Jabra (GN Netcom) products by unauthorized third parties voids any warranty

13 Certification and safety approvals

CE

This product is CE marked according to the provisions of the R & TTE Directive (99/5/EC). Hereby, GN Netcom, declares that this product is in compliance with the essential requirements and other relevant provisions of Directive 1999/5/EC.

For further information please consult <http://www.jabra.com>

Within the EU this device is intended to be used in Austria, Belgium, Bulgaria, Cyprus, Czech Republic, Denmark, Estonia, Finland, France, Germany, Greece, Hungary, Ireland, Italy, Latvia, Lithuania, Luxembourg, Malta, Poland, Portugal, Slovakia, Slovenia, Spain, Sweden, The Netherlands, United Kingdom, and within EFTA in Iceland, Norway and Switzerland.

Bluetooth

The Bluetooth® word mark and logos are owned by the Bluetooth SIG, Inc. and any use of such marks by GN Netcom is under license. Other trademarks and trade names are those of their respective owners.

14 Glossary

- 1 **Bluetooth** is a radio technology that connects devices, such as mobile phones and headsets, without wires or cords over a short distance (approx. 30 feet). Get more information at www.bluetooth.com.
- 2 **Bluetooth profiles** are the different ways that Bluetooth devices communicate with other devices. Bluetooth phones support either the headset profile, the hands-free profile or both. In order to support a certain profile, a phone manufacturer must implement certain mandatory features within the phone's software.
- 3 **Pairing** creates a unique and encrypted link between two Bluetooth devices and lets them communicate with each other. Bluetooth devices will not work if the devices have not been paired.
- 4 **Passkey** or **PIN** is a code that you enter on your mobile phone to pair it with your Jabra BT325s. This makes your phone and the Jabra BT325s recognize each other and automatically work together.
- 5 **Standby mode** is when the Jabra BT325s is passively waiting for a call. When you 'end' a call on your mobile phone, the headset goes into standby mode.



Dispose of the product according to local standards and regulations.
www.jabra.com/weee

Français

Merci.....	14
MISE EN ROUTE	17
1. Comment charger le Jabra BT325s.....	17
2. Mise sous tension du Jabra BT325s	17
3. Appairer avec un téléphone portable.....	18
4. Comment porter votre Jabra BT325s	18
5. Écouter de la musique à partir d'un lecteur de musique autonome	18
6. Comment.....	19
7. Remplacer les oreillettes Jabra	20
8. Explication des voyants lumineux	20
9. Diagnostic des pannes et questions fréquentes	21
10. Besoin d'aide supplémentaire ?	22
11. Entretien de l'oreillette.....	22
12. Garantie.....	22
13. Autorisations de sécurité et de certification	23
14. Glossaire	24

Merci

Nous vous remercions d'avoir acheté le casque Bluetooth Jabra BT325s. Nous espérons que vous en serez satisfait.
Ce mode d'emploi vous permettra d'utiliser et de tirer le meilleur parti de votre casque Jabra.

! N'oubliez pas : la sécurité routière passe avant les appels téléphoniques !

L'utilisation d'un téléphone portable au volant peut détourner votre attention de la route et augmenter le risque d'accident. Si les conditions de conduite (mauvais temps, circulation dense, présence d'enfants dans la voiture ou routes en mauvais état) l'imposent, quittez la route et gardez-vous avant d'effectuer ou de répondre à un appel. Veuillez également à écouter les communications et à ne pas prendre des notes ni lire des documents en conduisant.

L'utilisation, au volant, du casque sur les deux oreilles peut être interdite dans certains pays.

N.B. : conduisez toujours prudemment en respectant la législation locale.

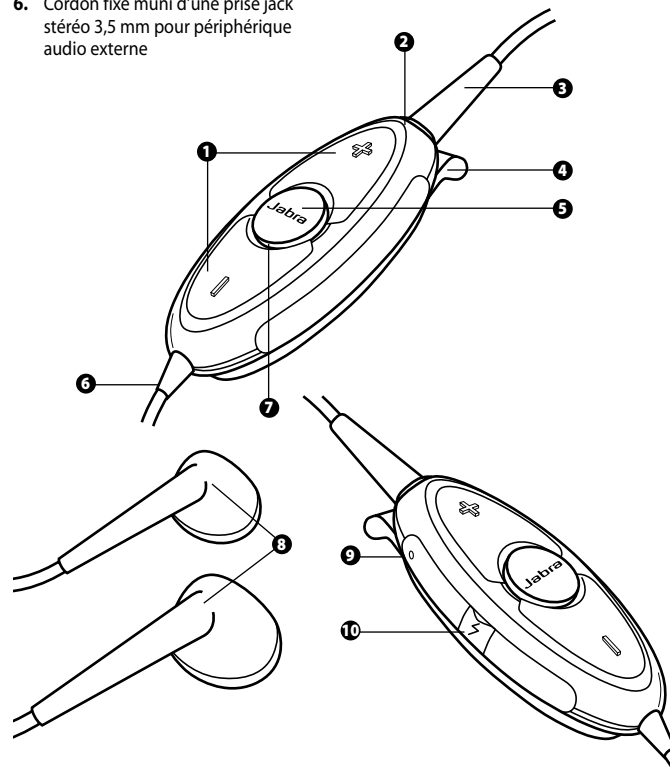
Protégez votre audition !

AVERTISSEMENT : L'utilisation des écouteurs à volume élevé peut entraîner une dégradation permanente de l'ouïe. Si vous entendez un bourdonnement dans l'oreille, réduisez le volume ou cessez d'utiliser les écouteurs. En cas d'utilisation prolongée à volume élevé, vous pouvez vous accoutumer à ce niveau sonore, ce qui peut entraîner des dommages irréversibles à votre ouïe. Réglez le volume à un niveau qui ne présente aucun danger. Il peut être dangereux, et illégal dans certains pays, d'utiliser des écouteurs en conduisant un véhicule à moteur, une moto, un bateau ou un vélo. Renseignez-vous sur la loi locale. Soyez prudent lorsque vous utilisez les écouteurs alors que vous pratiquez une activité qui requiert toute votre attention. Dans ce cas, retirez les écouteurs ou les éteindre éliminera toute distraction, de sorte à éviter un accident ou des blessures.

Si vous utilisez des oreillettes autres que celles fournies par Jabra, veuillez noter que les différences d'impédance et de sensibilité peuvent faire varier le niveau maximal du volume de sortie. Par conséquent, soyez toujours particulièrement vigilant lorsque vous utilisez d'autres oreillettes que les modèles Jabra originaux.

À propos de votre Jabra BT325s

1. Volume sonore haut (+), bas (-)
2. Prise casque
3. Connecteur casque (détachable)
4. Pince vêtement avec cordon
5. Touche Réponse/Fin
6. Cordon fixe muni d'une prise jack stéréo 3,5 mm pour périphérique audio externe
7. Voyant lumineux
8. Oreillettes interchangeables
9. Microphone
10. Prise de chargement



Fonctions disponibles de votre nouveau casque

Le Jabra BT325s vous permet d'écouter votre lecteur de musique autonome préféré avec la certitude de ne jamais manquer un appel sur votre téléphone portable Bluetooth.

Utilisé en tant que casque Bluetooth, votre Jabra BT325s vous permet de :

- l'appairer avec jusqu'à 8 périphériques
- répondre aux appels
- terminer des appels
- refuser des appels*
- lancer une numérotation vocale*
- rappeler le dernier numéro*
- prendre un double appel*
- mettre un appel en attente*

* (Dépend du modèle de téléphone)

Notez que tous les boutons placés sur le périphérique Bluetooth sont dédiés aux fonctions mentionnées ci-dessus.

Spécifications :

- Jusqu'à 8 h de temps de communication/240 h en mode veille
- Batterie rechargeable compatible avec tout chargeur d'alimentation en courant alternatif
- Poids inférieur à 40 g, oreillettes Jabra originales comprises
- Portée : jusqu'à environ 10 m
- Profils Bluetooth mains libres (par défaut) et casque
- Spécification Bluetooth 1.2 (*voir Glossaire page 24*)
- IPx2 (protection contre la pluie verticale)

Veillez noter que votre BT325s peut résister à une pluie verticale mais n'est pas étanche et ne supporte pas l'immersion. Si l'unité est mouillée, il faut l'essuyer pour enlever toute humidité afin d'éviter qu'elle soit endommagée.

MISE EN ROUTE

Le Jabra BT325s est facile à utiliser. Tous les boutons servent à contrôler les appels de votre téléphone portable et ils commandent des fonctions différentes selon la durée de la pression que vous exercez :

Instructions :	Durée de pression :
Tapez	Appuyez brièvement puis lâchez
Appuyez	Appuyez pendant environ 1 s
Appuyez et maintenez enfoncée	Appuyez et maintenez enfoncée pendant environ 5 s

1 Comment charger le Jabra BT325s

Chargez votre Jabra BT325s complètement avant la première utilisation. N'utilisez jamais d'autres chargeurs que ceux qui sont fournis avec le casque Jabra BT325s, ou vous risquez de l'endommager.

Branchez le Jabra BT325s, comme indiqué sur l'ill. 2, sur l'alimentation en courant alternatif pour le charger à partir d'une prise de courant. Lorsque les voyants restent allumés en rouge, votre casque est en cours de chargement. Lorsqu'ils s'allument en vert, le casque est entièrement chargé.

2 Mise sous tension du Jabra BT325s

- **Appuyez** sur la touche Réponse/fin pour mettre le Jabra BT325s sous tension. Une fois que le périphérique est sous tension, le témoin indicateur clignote quatre fois.
- **Appuyez** et maintenez- enfoncée la touche Réponse/fin pour mettre le périphérique hors tension.

Notez qu'il est toujours possible d'écouter de la musique avec le Jabra BT325s à partir du lecteur autonome même si le Jabra BT325s est hors tension.

3 Appairier avec un téléphone portable

Avant d'utiliser le Jabra BT325s avec un téléphone portable, vous devez d'abord l'appairier.

1. **Mettez le BT325s en mode d'appariement :**
 - Vérifiez que le casque est hors tension.
 - **Appuyez et maintenez** enfoncée la touche Réponse/fin jusqu'à ce que le témoin indicateur s'allume en bleu fixe.
2. **Configurez votre téléphone portable pour qu'il « recherche » le Jabra BT325s**
Suivez le mode d'emploi de votre téléphone. Cela implique en général d'aller dans un menu « configuration », « connexion » ou « Bluetooth » de votre téléphone et de choisir l'option permettant de détecter ou d'ajouter un périphérique Bluetooth. **(Voir l'exemple d'un téléphone portable typique dans l'ill. 3.)**

3. **Votre téléphone détectera le Jabra BT325s**
Votre téléphone vous demandera si vous voulez effectuer l'appariement. Acceptez par « oui » ou « ok » et confirmez avec le mot de **passé ou PIN=0000 (4 zéro)**

Votre téléphone confirmera que l'appariement est effectué. En cas d'échec de l'appariement, répétez les étapes 1 à 3.

4 Comment porter votre Jabra BT325s

Votre Jabra BT325s est conçu pour être porté confortablement avec la pince vêtement intégrée ou un cordon (non fourni). Le microphone est incorporé dans la partie supérieure gauche de l'appareil **(lorsque vous regardez le BT325s comme il est présenté dans l'illustration 3. A)**. Veuillez y penser en positionnant l'unité principale, afin d'assurer une bonne capture de votre voix. **(Voir ill. 3. B)**

5 Écouter de la musique à partir d'un lecteur de musique autonome

Vous obtenez les meilleures performances du casque Jabra BT325s lorsque celui-ci est utilisé avec un lecteur de musique autonome. Cela peut être un lecteur MP3, un centre de sources d'information portable ou tout autre périphérique de musique externe muni d'un connecteur stéréo 3,5 mm standard.

Pour utiliser le Jabra BT325s avec votre lecteur de musique, branchez la fiche jack 3,5 mm dans la prise casque de votre lecteur de musique. Vous pouvez ensuite écouter votre musique préférée avec la certitude de ne jamais manquer un appel sur votre téléphone portable Bluetooth.

Veillez noter que tous les boutons sur le Jabra BT325s permettent de gérer vos appels de téléphone portable. En revanche, vous pilotez la musique (par ex. marche/arrêt, avance/retour, volume etc.) directement sur votre lecteur de musique.

Le Jabra BT325s est compatible avec la plupart des lecteurs de musique autonomes.

6 Comment...

Écouter de la musique

Branchez le cordon fixe à prise 3,5 mm sur votre périphérique audio autonome. Il n'est pas nécessaire que le Jabra BT325s soit mis sous tension pour écouter de la musique. Vous pouvez également débrancher le casque et l'insérer directement dans le périphérique audio comme un casque classique.

Répondre à un appel

Pour répondre à un appel, **tapez** sur la touche Réponse/Fin du Jabra BT325s à la sonnerie du téléphone. La musique s'êteindra automatiquement en cas d'appel entrant.

Finir un appel

Pour finir un appel en cours, **tapez** sur la touche Réponse/Fin. La musique reprendra automatiquement après l'appel.

Refuser un appel*

Pour refuser un appel entrant, **appuyez** sur la touche Réponse/Fin quand le téléphone sonne. Selon les paramètres de votre téléphone, le correspondant sera transféré sur votre messagerie vocale ou recevra la tonalité « occupé ».

Effectuer un appel*

Si vous effectuez un appel à partir de votre téléphone portable, la musique s'êteindra et l'appel sera automatiquement transféré au Jabra BT325s (en fonction des paramètres du téléphone), une fois connecté.

Activer la numérotation vocale*

Tapez sur la touche Réponse/Fin et prononcez le nom de la personne que vous désirez joindre. Vous obtenez de meilleurs résultats si vous enregistrez l'identité de numérotation vocale en portant votre Jabra BT325s. Veuillez consulter le mode d'emploi de votre téléphone pour plus d'informations sur cette fonction.

Rappeler le dernier numéro*

Appuyez sur la touche Réponse/Fin.

Utiliser la fonction double appel/mise en attente*

Cette fonction vous permet de mettre un appel en attente pendant que vous répondez à un appel entrant.

- **Appuyez** une fois sur la touche Réponse/Fin pour mettre l'appel en cours en attente et répondre à l'appel entrant.
- **Appuyez** sur la touche Réponse/Fin pour passer d'un appel à l'autre.
- **Tapez** sur la touche Réponse/Fin pour finir l'appel en cours.

Régler le son et le volume

Appuyez sur la touche de volume haut ou bas (+ ou -) pour régler le volume sonore.

(Voir ill. 1)

* (Dépend du modèle de téléphone)

7 Remplacer les oreillettes Jabra

Pour remplacer les oreillettes Jabra fournies par un autre jeu d'oreillettes, il suffit de brancher la fiche jack de celles-ci dans la prise casque du Jabra BT325s.

Si vous utilisez un autre jeu d'oreillettes que celui fourni par Jabra, veuillez noter que les différences d'impédance et de sensibilité peuvent faire varier le niveau maximal du volume de sortie. Un niveau d'impédance de 16 ohms est recommandé pour des performances optimales. Soyez cependant toujours particulièrement vigilant lorsque vous utilisez un autre jeu d'oreillettes que le modèle Jabra original.

8 Explication des voyants lumineux

Ce que vous voyez	Ce que cela indique pour votre oreillette
Voyant bleu qui clignote	Clignote toutes les secondes : appel en cours
Voyant bleu qui clignote	Clignote toutes les trois secondes : en mode veille
Voyant rouge qui clignote	Batterie faible
Voyant rouge continu	En cours de chargement
Voyant vert continu	Chargement terminé
Voyant bleu continu	En mode pairing – voir la section 3

9 Diagnostic des pannes et questions fréquentes**J'entends des craquements**

Bluetooth est une technologie radio, c'est-à-dire sensible aux objets qui se trouvent entre le casque et le périphérique connecté. Sans objets massifs susceptibles de gêner la transmission (murs, etc.) entre le casque et le périphérique, l'unité devrait offrir une portée allant jusqu'à 10 mètres.

Je n'entends pas l'appel téléphonique dans le casque

Augmentez le volume sur le BT325s.

Assurez-vous que le casque a été correctement apparié avec votre téléphone.

Vérifiez dans le menu du téléphone ou bien en tapant sur la touche Réponse/Fin sur le BT325s que le téléphone est bien connecté au casque.

J'ai des problèmes d'appariement

Vous avez peut-être effacé la connexion d'appariement dans votre téléphone portable. Suivez les instructions d'appariement de la section 3.

Je n'arrive pas à utiliser les fonctions Refuser un appel, Mise en attente, Rappeler le dernier numéro ou Numérotation vocale

Ces fonctions dépendent de l'aptitude de votre téléphone à prendre en charge ou non le profil main libre Bluetooth. Veuillez consulter son mode d'emploi pour plus d'informations.

Je n'entends pas la musique dans le casque

Augmentez le volume de votre périphérique de musique.

Assurez-vous que le jeu d'oreillettes est connecté correctement au BT325s.

Vérifiez que le BT325s est bien connecté à la prise jack 3,5 mm de votre lecteur de musique.

Vérifiez que le BT325s est suffisamment chargé (il n'est pas nécessaire que celui-ci soit en marche, mais il doit être chargé).

Si la batterie du BT325s est déchargée et que vous n'êtes pas en mesure de la recharger, vous pouvez connecter le jeu d'oreillettes directement au lecteur de musique.

Je ne peux pas régler le volume de la musique à l'aide du bouton de volume situé sur le BT325s

Le contrôle de volume et le bouton Réponse/Fin sont dédiés au réglage du volume des appels téléphoniques.

Je souhaite mettre la musique en pause lorsque je parle au téléphone

La musique continue lorsque vous parlez au téléphone. Si vous souhaitez la mettre en pause, veuillez utiliser le bouton pause/stop de votre lecteur de musique.

10 Besoin d'aide supplémentaire ?

Jabra met à votre disposition une assistance clientèle en ligne à l'adresse : www.jabra.com. Vous pouvez également consulter l'intérieur de couverture pour les détails de support technique local.

11 Entretien de l'oreillette

- Eteignez toujours l'oreillette et emballez-la soigneusement avant de la ranger.
- Evitez de l'exposer à des températures extrêmes (au-dessus de 45°C – y compris aux rayons du soleil – ou en dessous de -10°C). Cela risque de réduire la durée de vie de la batterie et d'entraîner des dysfonctionnements. Les températures élevées risquent aussi de diminuer ses performances.
- Si l'unité est exposée à l'eau ou à un autre liquide, essuyez-la de manière à supprimer toute trace d'humidité.

12 Garantie

Jabra (GN Netcom) garantit ce produit contre tous les défauts, pièce et main d'œuvre, pendant deux ans à compter de la date initiale d'achat. Les conditions de cette garantie et nos responsabilités en vertu de cette garantie sont les suivantes :

- La garantie ne s'applique qu'à l'acheteur original.
- Une copie de votre reçu ou autre preuve d'achat est requise.
- La garantie est nulle si le numéro de série, l'étiquette du code date ou l'étiquette du produit sont enlevés, ou si le produit a subi un usage inapproprié, une installation impropre, une modification ou une réparation par des tiers non autorisés
- La responsabilité de Jabra (GN Netcom) sur ses produits sera limitée à la réparation ou au remplacement du produit à l'entière discrétion de Jabra
- Toute garantie implicite sur les produits Jabra (GN Netcom) est limitée à deux ans à compter de la date d'achat pour toutes les pièces, y compris les cordons et connecteurs
- Sont spécifiquement exclus de toute garantie les consommables à durée de vie limitée soumis à une usure normale, tels que les bonnettes de microphone, les oreillettes, les décorations de finition, les batteries et autres accessoires
- Jabra (GN Netcom) n'est pas responsable des dommages accessoires ou indirects résultant de l'utilisation appropriée ou inappropriée de l'un des produits Jabra (GN Netcom)
- Cette garantie vous donne des droits spécifiques et vous pouvez bénéficier d'autres droits qui varient d'un pays à l'autre

- Sauf indication contraire dans le manuel d'utilisation, l'utilisateur ne pourra, en aucun cas, tenter d'effectuer une opération de maintenance, d'ajustement ou de réparation sur cet appareil, qu'il soit ou non sous garantie. L'unité doit être retournée au point de vente, à l'usine ou au centre de maintenance agréé pour ce type d'opération
- Jabra (GN Netcom) n'assumera aucune responsabilité en cas de perte ou dommage subi lors de l'expédition. Tout travail de réparation sur les produits Jabra (GN Netcom) par des personnes non autorisées annule toute garantie

13 Autorisations de sécurité et de certification

CE

Ce produit porte le marquage CE conformément aux dispositions de la Directive 1999/5/CE (R&TTE).

GN Netcom déclare par la présente que ce produit est conforme aux principales exigences et autres dispositions pertinentes de la Directive 1999/5/CE.

Pour de plus amples informations, nous vous invitons à visiter le site <http://www.jabra.com>

Dans l'UE, ce dispositif est utilisable dans les pays suivants : Autriche, Belgique, Chypre, République tchèque, Danemark, Estonie, Finlande, France, Allemagne, Grèce, Hongrie, Irlande, Italie, Lettonie, Lituanie, Luxembourg, Malte, Pologne, Portugal, Slovaquie, Slovénie, Espagne, Suède, Pays Bas, Royaume-Uni, et dans les pays de l'AELE : Islande, Norvège et Suisse.

Bluetooth

La marque et le logo *Bluetooth*® sont la propriété de Bluetooth SIG, Inc. et toute utilisation de telles marques par GN Netcom est sous licence. Toutes autres marques et dénominations commerciales appartiennent à leurs propriétaires respectifs.

14 Glossaire

- 1 La technologie **Bluetooth** est une technologie radio permettant de connecter des appareils, tels que des téléphones portables ou des oreillettes, sans fils ni cordons électriques sur une courte distance (environ 10 mètres). Pour plus d'informations, rendez-vous sur le site www.bluetooth.com.
- 2 Les **profils Bluetooth** sont les différentes manières dont les appareils Bluetooth communiquent avec d'autres appareils. Les téléphones Bluetooth supportent soit le profil oreillette, soit le profil mains-libres, soit les deux. Afin de supporter un profil spécifique, le fabricant de téléphone doit intégrer certaines fonctions obligatoires dans le logiciel du téléphone.
- 3 Le **pairage** crée un lien unique et crypté entre deux appareils Bluetooth et leur permet de communiquer entre eux. Les appareils Bluetooth ne fonctionneront pas s'ils n'ont pas fait l'objet d'un pairage.
- 4 Le **code passe-partout ou PIN** est un code que vous entrez dans votre téléphone portable afin d'effectuer un pairage avec votre oreillette Jabra BT325s. Il permet à votre téléphone et à l'oreillette Jabra BT325s de se reconnaître et de fonctionner automatiquement ensemble.
- 5 Le **mode veille** est actif lorsque l'oreillette Jabra BT325s attend passivement un appel. Lorsque vous « terminez » un appel sur votre téléphone portable, l'oreillette passe en mode veille.

Deutsch

Vielen Dank	26
DIE ERSTEN SCHRITTE	29
1. Aufladen Ihres Jabra BT325s	29
2. Einschalten Ihres Jabra BT325s	29
3. Pairing mit einem Mobiltelefon	29
4. Tragen Ihres Jabra BT325s	30
5. Musik hören von Ihrem Musikabspielgerät	30
6. So wird es gemacht	31
7. Austauschen der Jabra-Kopfhörer	32
8. Bedeutung der LED-Anzeige	32
9. Fehlerbehebung und FAQ	32
10. Weitere Hilfe?	33
11. Pflege Ihres Headsets	34
12. Garantie	34
13. Zertifizierung und sicherheitstechnische Genehmigungen	35
14. Glossar	36



Mettre le produit au
rebut selon les règlements
locaux standard.
www.jabra.com/weee

Vielen Dank

Vielen Dank, dass Sie sich für das Jabra BT325s Bluetooth-Headset entschieden haben. Wir hoffen, dass Sie es Ihnen Freude bereiten wird. Im Benutzerhandbuch finden Sie die ersten Schritte, die Ihnen helfen, Ihr Stereo-Headset optimal zu nutzen.

! Vergessen Sie nicht: Das Wichtigste ist die Verkehrssicherheit, nicht das Telefonieren!

Die Benutzung eines Mobiltelefons während des Fahrens kann Sie ablenken und das Unfallrisiko erhöhen. Wenn es die Fahrbedingungen (wie schlechtes Wetter, starkes Verkehrsaufkommen, die Gegenwart von Kindern im Auto oder schwierige Straßenbedingungen) verlangen, fahren Sie an den Straßenrand und parken Sie, bevor Sie einen Anruf tätigen oder annehmen. Versuchen Sie sich außerdem kurz zu fassen und vermeiden Sie es, sich während des Telefonierens Notizen zu machen oder Dokumente zu lesen.

Die Verwendung dieses Headsets mit Abdeckung beider Ohren während des Fahrens kann in bestimmten Ländern verboten sein.

Vergessen Sie nicht: Die Sicherheit hat immer Vorrang. Vermeiden Sie Ablenkungen und halten Sie sich an die lokalen Verkehrsbestimmungen.

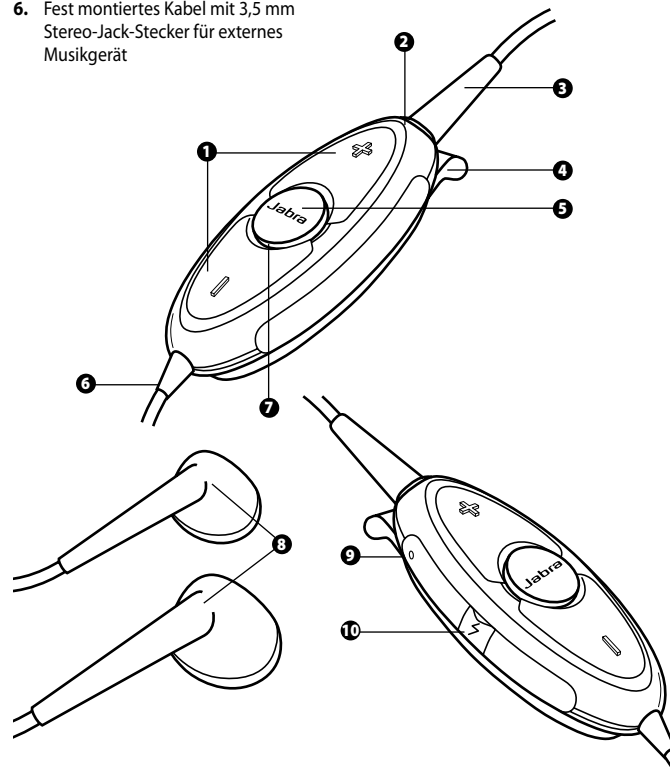
Schützen Sie Ihr Gehör!

WARNUNG: Die Benutzung der Kopfhörer bei hoher Lautstärke kann zu dauerhaftem Hörverlust führen. Senken Sie die Lautstärke oder brechen Sie die Benutzung der Kopfhörer ab, wenn Sie ein Läuten in den Ohren bemerken. Bei fortgesetzter Verwendung mit hoher Lautstärke können sich Ihre Ohren an den Schallpegel gewöhnen, was zu dauerhafter Schädigung des Gehörs führen kann. Halten Sie die Lautstärke auf einer sicheren Stufe. Die Verwendung von Kopfhörern am Steuer eines Motorfahrzeuges, Motorrades, Wasserfahrzeuges oder Fahrrades kann gefährlich sein und ist in gewissen Ländern verboten. Informieren Sie sich über die örtlichen Gesetze. Seien Sie vorsichtig, wenn Sie Ihre Kopfhörer bei einer Aktivität benutzen, die Ihre volle Konzentration verlangt. Um Unfälle und Verletzungen durch Ablenkung zu vermeiden, sollten die Kopfhörer während solcher Aktivitäten von Ihren Ohren entfernt oder ausgeschaltet werden.

Wenn Sie andere Kopfhörer als das mitgelieferte Jabra-Modell verwenden, weisen wir Sie darauf hin, dass sich die maximale Lautstärke aufgrund von Impedanz- und Empfindlichkeitsunterschieden verringern oder erhöhen kann. Deshalb ist stets besondere Vorsicht geboten, wenn Sie andere Kopfhörer als das Original-Jabra-Modell verwenden.

Über Ihr Jabra BT325s

1. Lautstärke (+), Lautstärke (-)
2. Kopfhörerbuchse
3. Kopfhöreranschluss (abnehmbar)
4. Kleiderclip mit Riemenöse
5. Rufannahme/Beenden-Taste
6. Fest montiertes Kabel mit 3,5 mm Stereo-Jack-Stecker für externes Musikgerät
7. Anzeigelämpchen
8. Austauschbare Kopfhörer
9. Mikrofon
10. Ladebuchse



Funktionen Ihres neuen Headsets

Mit dem Jabra BT325s können Sie Musik von Ihrem Lieblings-Musikabspielgerät hören und dabei sichergehen, dass Ihnen kein Anruf auf Ihrem Bluetooth-fähigen Mobiltelefon entgeht.

Das sind die Funktionen Ihres Jabra BT325s, wenn es als Bluetooth-Headset verwendet wird:

- Pairing mit bis zu 8 Geräten
- Anrufe annehmen
- Anrufe beenden
- Anrufe ablehnen*
- Sprachsteuerung*
- Wahlwiederholung*
- Anklopfen*
- Anruf parken*

* **Telefonabhängig**

Bitte beachten Sie, dass alle Tasten auf dem Bluetooth-Gerät der Steuerung der obigen Funktionen dienen.

Spezifikationen:

- Gesprächszeit bis zu 8 Stunden/Standby-Zeit bis zu 240 Stunden
- Aufladbare Batterie mit Ladeoption von Wechselstromnetzteil
- Gewicht inklusive der Original Jabra-Kopfhörer unter 40 Gramm
- Reichweite bis ca. 10 Meter
- Freisprech- (Standard) und Headset Bluetooth-Profile
- Bluetooth-Spezifikation 1.2 (**siehe Glossar S. 36**)
- IPx2 (Das BT325s hält einen kurzen Regenschauer aus)

Bitte beachten Sie, dass Ihr BT325s zwar einen kurzen Regenschauer aushält, aber nicht wasserdicht ist und nicht in Wasser getaucht werden darf. Wenn Ihr Gerät nass wird, wischen Sie es gründlich trocken, um es vor einer möglichen Beschädigung zu schützen.

DIE ERSTEN SCHRITTE

Das Jabra BT325s ist einfach zu bedienen. Alle Tasten dienen der Steuerung Ihrer Mobiltelefongespräche und erfüllen verschiedene Funktionen, je nachdem wie lange Sie sie drücken:

Aktion:	Drückdauer:
Antippen	Kurz drücken und loslassen
Drücken	Ca. 1 Sek. lang drücken
Drücken und Halten	Drücken und ca. 5 Sek. lang gedrückt halten

1 Aufladen Ihres Jabra BT325s

Bevor Sie Ihr Jabra BT325s erstmals verwenden, laden Sie es ganz auf. Verwenden Sie nur das in der Schachtel mitgelieferte Ladegerät. Ladegeräte anderer Geräte könnten Ihr Jabra BT325s beschädigen.

Um das Headset über eine Steckdose aufzuladen, verbinden Sie es wie in Abbildung 2 gezeigt mit dem Wechselstromnetzteil. Leuchtet die LED permanent rot, wird das Headset geladen. Wenn das Licht grün wird, ist das Headset voll aufgeladen.

2 Einschalten Ihres Jabra BT325s

- **Drücken** Sie die Taste Rufannahme/Beenden, um das Jabra BT325s einzuschalten. Wenn das Headset eingeschaltet ist, blinkt die LED vier Mal.
- **Drücken und halten** Sie die Taste Rufannahme/Beenden, um das Gerät auszuschalten.

Bitte beachten Sie, dass das Jabra BT325s auch im abgeschalteten Zustand Musik vom Musikabspielgerät wiedergeben kann.

3 Pairing mit einem Mobiltelefon

Bevor Sie das Jabra BT325s mit einem Mobiltelefon verwenden, müssen Sie ein Pairing durchführen.

1. **Pairingmodus des Jabra BT325s aufrufen:**
 - Vergewissern Sie sich, dass das Headset ausgeschaltet ist.
 - **Drücken und halten** Sie die Taste Rufannahme/Beenden, bis die LED permanent blau leuchtet.

2. Konfiguration eines Mobiltelefons zur Erkennung des Jabra BT325s

Folgen Sie den Anweisungen Ihres Telefonhandbuchs. In der Regel erfolgt dies über Menüs in Ihrem Telefon wie „Setup“, „Verbinden“ oder „Bluetooth“ und der Auswahl einer Option wie „Erkennung“ oder „Hinzufügen“ eines Bluetooth-Geräts. **(Siehe Beispiel eines typischen Menüs in einem Mobiltelefon, Abb. 3).**

3. Das Telefon erkennt das Jabra BT325s automatisch.

Ihr Telefon fragt Sie, ob Sie ein Pairing durchführen wollen. Bejahen Sie diese Frage, indem Sie auf „Ja“ oder „OK“ drücken und bestätigen Sie durch Eingabe des **Passworts oder des PIN = 0000 (4 Nullen).**

Nach Abschluss der Anbindung bestätigt das Telefon den Vorgang. Falls das Pairing fehlschlägt, wiederholen Sie die Schritte 1 bis 3.

4 Tragen Ihres Jabra BT325s

Ihr Jabra BT325s lässt sich dank dem integrierten Kleiderclip oder der Riemenöse (Riemen nicht inkludiert) bequem tragen. Das Mikrofon ist auf der linken oberen Seite des Geräts integriert **(bei Betrachtung des BT325s wie in Abbildung 3. A gezeigt)**. Bitte beachten Sie das bei der Positionierung des Hauptgeräts, um eine klare Abnahme Ihrer Stimme zu gewährleisten. **(Siehe Abb. 3. B)**

5 Musik hören von Ihrem Musikabspielgerät

Das Jabra BT325s schöpft sein ganzes Potenzial aus, wenn es mit einem Musikabspielgerät verwendet wird. Das könnte ein MP3-Player, ein tragbares Media-Center oder ein anderes externes Musikgerät mit einem 3,5mm Standard-Stereostecker sein.

Um das Jabra BT325s mit Ihrem Musikabspielgerät zu verwenden, stecken Sie den 3,5 mm Stecker in die Kopfhörerbuchse Ihres Musik-Players. Sie können nun Ihre Lieblingsmusik hören und dabei sichergehen, dass Ihnen kein Anruf auf Ihrem Bluetooth-fähigen Mobiltelefon entgeht.

Bitte beachten Sie, dass alle Bedienelemente des BT325s der Steuerung Ihrer Handyanrufe dienen. Die Steuerung Ihrer Musik wie z.B. Start/Stop, einen Titel vor/zurück, Lautstärke etc., erfolgt über Ihr Musikgerät.

Das Jabra BT325s ist mit den meisten Musikabspielgeräten kompatibel.

6 So wird es gemacht ...

Musik hören

Verbinden Sie das fest montierte 3,5mm Kabel mit Ihrem Musikabspielgerät. Damit das Jabra BT325s Musik spielt, braucht es nicht eingeschaltet zu werden. Sie können die Kopfhörer auch herausziehen und sie als normale Kopfhörer direkt an das Musikabspielgerät anstecken.

Einen Anruf annehmen

Wenn das Telefon klingelt, **tippen** Sie kurz die Taste Rufannahme/Beenden Ihres Jabra BT325s an. Die Musik wird automatisch ausgeblendet, wenn ein Anruf ankommt.

Einen Anruf beenden

Um ein Gespräch zu beenden, tippen Sie kurz die Taste Rufannahme/Beenden an. Die Musik wird nach dem Gespräch automatisch fortgesetzt.

Einen Anruf ablehnen*

Drücken Sie die Taste Rufannahme/Beenden während des Klingelns, um einen ankommenden Anruf abzulehnen. Je nach Telefoneinstellung wird der Anrufer entweder zu Ihrer Mailbox umgeleitet oder er hört ein Besetztzeichen.

Einen Anruf tätigen*

Wenn Sie mit Ihrem Mobiltelefon einen Anruf tätigen, wird die Musik ausgeblendet und das Gespräch wird automatisch (je nach Telefoneinstellungen) zum Jabra BT325s geleitet, falls dieses angeschlossen ist.

Sprachsteuerung aktivieren*

Tippen Sie die Taste Rufannahme/Beenden kurz an und sprechen Sie den Namen. Für optimale Ergebnisse zeichnen Sie die Sprachbefehle am besten auf, während Sie das Jabra BT325s tragen. Im Handbuch Ihres Mobiltelefons finden Sie weitere Informationen zur Sprachsteuerung.

Wahlwiederholung*

Drücken Sie die Taste Rufannahme/Beenden.

Anklopfen und Anrufe parken*

Mit dieser Funktion können Sie ein laufendes Gespräch unterbrechen und einen ankommenden Anruf annehmen.

- **Drücken** Sie die Taste Rufannahme/Beenden einmal, um das aktive Gespräch zu parken und den ankommenden Anruf anzunehmen.
- **Drücken** Sie die Taste Rufannahme/Beenden, um zwischen den Gesprächen hin- und herzuschalten.
- **Tippen** Sie kurz die Taste Rufannahme/Beenden an, um das aktive Gespräch zu beenden.

Ton und Lautstärke einstellen

Drücken Sie die Tasten Lautstärke (+ oder -) um die Lautstärke einzustellen.
(*Siehe Abb. 1*)

* **Telefonabhängig**

7 Austauschen der Jabra-Kopfhörer

Um die mitgelieferten Jabra-Kopfhörer gegen Ihre Lieblingskopfhörer auszutauschen, stecken Sie den Stecker Ihres Kopfhörers einfach in die Buchse des Jabra BT325s.

Wenn Sie andere Kopfhörer als das mitgelieferte Jabra-Modell verwenden, weisen wir Sie darauf hin, dass sich die maximale Lautstärke aufgrund von Impedanz- und Empfindlichkeitsunterschieden verringern oder erhöhen kann. Für eine optimale Leistung empfehlen wir einen Impedanzpegel von 16 Ohm. Wenn Sie andere Kopfhörer als das Original-Jabra-Modell verwenden, ist jedoch stets besondere Vorsicht geboten.

8 Bedeutung der LED-Anzeige

Anzeige	Bedeutung für das Headset
Blaues Licht, blinkend	Blinken im Sekundenabstand: laufendes Gespräch
Blaues Licht, blinkend	Blinken alle drei Sekunden: Standby-Betrieb
Rotes Licht, blinkend	Niedrige Batteriespannung
Rotes Dauerlicht	Ladebetrieb
Grünes Dauerlicht	Voll geladen
Blaues Dauerlicht	Pairing-Betrieb – siehe Abschnitt 3

9 Fehlerbehebung und FAQ

Ich höre knisternde Geräusche

Bluetooth ist eine Funktechnologie, die sensibel auf Objekte reagiert, die zwischen dem Headset und dem Gerät liegen, an das es angeschlossen ist. Eine Entfernung zwischen dem Headset und dem angeschlossenen Gerät von ca. 10 Metern sollte möglich sein, wenn keine großen Objekte (Wände etc.) dazwischen liegen.

Ich kann den Anruf im Headset nicht hören

Stellen Sie das BT325s lauter.

Stellen Sie sicher, dass Ihr Headset mit Ihrem Telefon gepaart wurde.

Vergewissern Sie sich im Telefonmenü oder durch Antippen der Taste „Rufannahme/

Beenden“ des BT325s, dass Ihr Telefon an das Headset angeschlossen ist. Vergewissern Sie sich im Telefonmenü oder durch Antippen der Taste „Rufannahme/Beenden“, dass Ihr Telefon an das Headset angeschlossen ist.

Ich habe Pairing-Probleme

Vielleicht haben Sie die Pairing-Verbindung in Ihrem Handy gelöscht – folgen Sie der Pairing-Anleitung von Punkt 3.

Ich kann die Funktionen Anruf ablehnen, Gespräch parken, Wahlwiederholung oder Sprachsteuerung nicht verwenden.

Diese Funktionen funktionieren nur, wenn Ihr Telefon das Bluetooth-Freisprechprofil unterstützt. Bitte schlagen Sie in Ihrem Handbuch nach.

Ich höre keine Musik im Headset

Stellen Sie Ihr Musikgerät lauter.

Achten Sie darauf, dass die Kopfhörer richtig an das BT325s angeschlossen sind.

Vergewissern Sie sich, dass das BT325s an die 3,5 mm Klinkebuchse des Musikgeräts angeschlossen ist.

Prüfen Sie, ob das BT325s geladen ist (es braucht nicht eingeschaltet zu sein, sollte aber geladen sein).

Wenn die Batterien des BT325s leer sind und nicht aufgeladen werden können, können Sie die Kopfhörer auch direkt an das Musikgerät anschließen.

Ich kann die Lautstärke über den Lautstärkeregler des BT325s nicht steuern

Der Lautstärkeregler und die Taste „Rufannahme/Beenden“ dienen der Steuerung der Anrufe.

Ich möchte die Musik unterbrechen, während ich ein Telefongespräch führe

Die Musik spielt weiter, während Sie telefonieren. Wenn Sie sie unterbrechen möchten, verwenden Sie dazu bitte die Pause-/Stopp-Taste Ihres Musikgeräts.

10 Weitere Hilfe?

Jabra bietet einen weltweiten Online-Support unter www.jabra.com. oder Sie finden die Support-Informationen für Ihr Land im Innenumschlag.

12 Pflege Ihres Headsets

- Bewahren Sie das Jabra BT325s immer im ausgeschalteten Zustand und sicher geschützt auf.
- Vermeiden Sie die Lagerung bei extremen Temperaturen (über 45 °C/113 °F – einschließlich des direkten Sonnenlichts – oder unter -10 °C/14 °F). Dies kann zu einer Verkürzung der Lebensdauer der Batterie führen und die Funktion beeinträchtigen. Hohe Temperaturen können auch das Betriebsverhalten verschlechtern.
- Bei Kontakt mit Wasser oder anderen Flüssigkeiten das Gerät bitte gründlich trocken wischen.

12 Garantie

Jabra (GN Netcom) gewährt eine Garantie auf Materialfehler und Fehler in der Ausführung für einen Zeitraum von zwei Jahren ab dem Tag des Erstkaufts. Die Konditionen dieser Garantie und unserer Haftung sind wie folgt:

- Die Garantie beschränkt sich auf den ursprünglichen Käufer
- Als Kaufnachweis benötigen wir eine Kopie Ihrer Quittung.
- Die Garantie verfällt, wenn die Seriennummer, der Datumscode oder das Produktschild entfernt wurde sowie bei Missbrauch, unsachgemäßer Installation, Änderung oder Reparatur durch nicht autorisierte Dritte
- Die Haftung für Produkte von Jabra (GN Netcom) beschränkt sich auf die Reparatur oder das Ersetzen von Produkten nach Ermessen des Unternehmens
- Jede implizierte Garantie auf Produkte von Jabra (GN Netcom) beschränkt sich für alle Teile einschließlich der Kabel und Anschlüsse auf zwei Jahre ab dem Kaufdatum
- Ausgenommen von der Garantie sind Verschleißteile mit begrenzter Lebensdauer wie z. B. Mikrofon-Windschutz, Ohrpolster, Zierteile, Akkus und anderes Zubehör
- Jabra (GN Netcom) übernimmt keine Haftung für Folgeschäden aufgrund der Benutzung oder des Missbrauchs eines Produktes Jabra (GN Netcom)
- Diese Garantie gibt Ihnen spezielle Rechte und möglicherweise haben Sie andere Rechte, die von Bereich zu Bereich variieren
- Sofern in diesem Benutzerhandbuch nichts anderes angegeben wird, sollte der Benutzer weder vor noch nach Ablauf der Garantiefrist versuchen, Service, Einstellungen oder Reparaturen an diesem Produkt selbst durchzuführen. Es muss für solche Arbeiten an den Händler, den Hersteller oder einen autorisierten Kundendienst zurückgeschickt werden
- Jabra (GN Netcom) haftet nicht für Verlust oder Schäden, die während des Transports entstehen. Sämtliche Reparaturen an Produkten von Jabra (GN Netcom) durch nicht autorisierte Dritte führen dazu, dass die Garantie verfällt

13 Zertifizierung und sicherheitstechnische Genehmigungen

CE

Dieses Produkt hat das CE-Zeichen gemäß der Bestimmungen der Endgeräterichtlinie (1999/5/EG).

Hiermit erklärt GN Netcom, dass dieses Produkt die grundlegenden Anforderungen und andere Bestimmungen der Richtlinie 1999/5/EG erfüllt.

Weitere Informationen finden Sie im Internet unter <http://www.jabra.com>
Innerhalb der EU ist dieses Gerät für die Verwendung in Österreich, Belgien, Zypern, der Tschechischen Republik, Dänemark, Estland, Finnland, Frankreich, Deutschland, Griechenland, Ungarn, Irland, Italien, Lettland, Litauen, Luxemburg, Malta, Polen, Portugal, der Slowakei, Slowenien, Spanien, Schweden, Niederlande und Großbritannien und innerhalb der EFTA für die Verwendung in Island, Norwegen und der Schweiz vorgesehen.

Bluetooth

Der Markenname *Bluetooth*[®] sowie das *Bluetooth*[®]-Logo sind Eigentum von Bluetooth SIG, Inc. und jede Verwendung dieser Markenzeichen durch GN Netcom erfolgt unter Lizenz. Andere Markenzeichen und Markennamen sind Eigentum der jeweiligen Eigentümer.

- 1 **Bluetooth** ist eine Funktechnologie zur Verbindung von Geräten wie Handys und Headsets ohne den Einsatz von Kabeln oder Leitungen über eine kurze Entfernung (ca. 10 m). Weitere Informationen erhalten Sie unter www.bluetooth.com.
- 2 **Bluetooth-Profil** sind verschiedene Möglichkeiten, mit deren Bluetooth-Geräte mit anderen Geräten kommunizieren. Bluetooth-Telefone unterstützen entweder das Headset-Profil, das Freihand-Profil oder beide. Zur Unterstützung eines bestimmten Profils muss ein Handy-Hersteller bestimmte erforderliche Merkmale in der Software des Handys implementieren.
- 3 **Pairing** erzeugt eine einzelne und verschlüsselte Verbindung zwischen zwei Bluetooth-Geräten und lässt sie miteinander kommunizieren. Bluetooth-Geräte funktionieren nicht miteinander, wenn vorher kein Pairing durchgeführt wurde.
- 4 **Schlüssel oder PIN** ist ein Code, den Sie an Ihrem Handy eingeben, um ein Pairing mit Ihrem Jabra BT325s durchzuführen. Dadurch erkennen sich Ihr Telefon und das Jabra BT325s automatisch und funktionieren zusammen.
- 5 **Standby-Betrieb** liegt dann vor, wenn das Jabra BT325s in passivem Zustand auf einen Anruf wartet. Wenn Sie nach einem Gespräch an Ihrem Handy „auflegen“, geht das Headset in den Standby-Betrieb.

Italiano

Grazie.....	38
INFORMAZIONI PRELIMINARI	41
1. Ricarica di Jabra BT325s.....	41
2. Accensione di Jabra BT325s	41
3. Connessione a un telefonino	41
4. Posizionamento di Jabra BT325s	42
5. Ascoltare musica dal lettore stand-alone.....	42
6. Istruzioni per eseguire le operazioni	43
7. Sostituire gli auricolari Jabra	44
8. Significato delle spie luminose	44
9. Individuazione dei guasti e domande frequenti	44
10. Si ha bisogno di ulteriori informazioni?	45
11. Manutenzione della cuffia auricolare	45
12. Garanzia.....	46
13. Certificazione e approvazioni sulla sicurezza	46
14. Glossario	47



Entsorgen Sie das Produkt gemäß den lokalen Normen und Bestimmungen. www.jabra.com/weee

Grazie!

Grazie per aver acquistato l'auricolare Jabra BT325s Bluetooth. Speriamo che sia in linea con le vostre aspettative. Il manuale utente contiene tutte le informazioni per ottenere il massimo dall'auricolare Jabra.

! Ricordate: la guida è più importante delle telefonate!

Utilizzare un telefono cellulare durante la guida può essere causa di distrazione e può aumentare il rischio di incidenti. Se particolari condizioni di guida lo richiedono (ad esempio, cattivo tempo, traffico intenso, bambini a bordo o condizioni stradali difficili), accostare e fermare l'auto prima di effettuare una chiamata. Inoltre, fare conversazioni brevi, non scrivere e non leggere testi mentre si è al volante.

L'utilizzo durante la guida di questo auricolare in entrambi gli orecchi può essere vietato in alcuni Paesi.

Ricordate: guidate sempre in maniera sicura e rispettate le leggi locali.

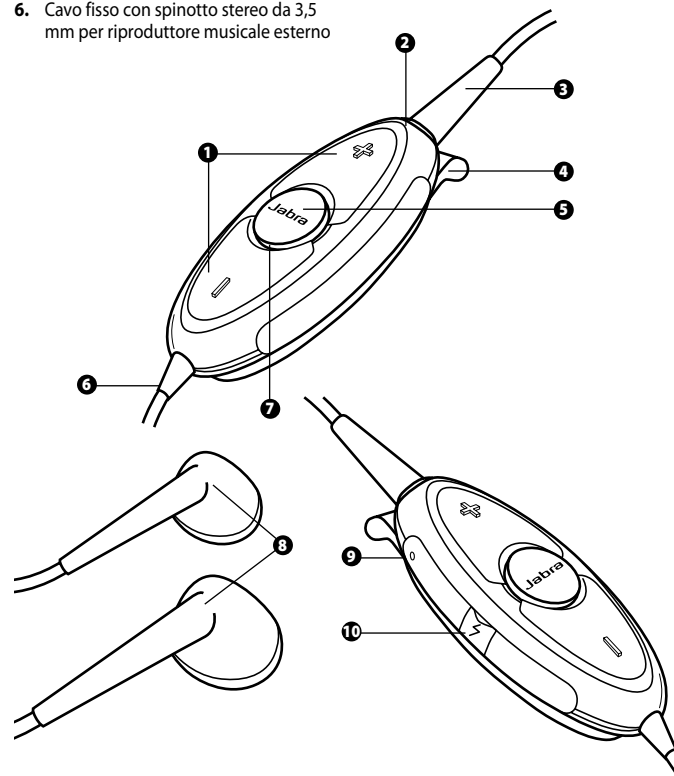
Protegete le vostre orecchie!

AVVERTENZA: L'utilizzo degli auricolari ad alto volume può causare danni permanenti all'udito. Se si avverte un ronzio all'orecchio, ridurre il volume o smettere di utilizzare gli auricolari. Con un utilizzo continuato ad alto volume, l'orecchio potrebbe abituarsi al livello sonoro, che può provocare danni permanenti all'udito. Tenere il volume a livelli di sicurezza. L'utilizzo di auricolari quando si è alla guida di veicoli a motore, motocicli, natanti o biciclette può essere pericoloso e in alcuni paesi è considerato illegale. Controllare le legislazioni locali. Prestare la massima attenzione quando si utilizzano gli auricolari, durante le attività che richiedono una completa attenzione. Quando si è impegnati in questo tipo di attività, togliere gli altoparlanti dalla zona auricolare o spegnere gli auricolari per evitare distrazioni e possibili incidenti o lesioni.

Se si utilizzano auricolari diversi dal modello Jabra fornito, tenere presente che le diversità di impedenza e sensibilità potrebbero ridurre o aumentare il volume massimo. Pertanto, adottare sempre la massima cautela quando si utilizzano auricolari diversi dal modello originale Jabra.

Informazioni su Jabra BT325s

1. Volume su (+), volume giù (-)
2. Presa per auricolare
3. Connettore auricolare (rimovibile)
4. Clip con passante per laccio
5. Tasto risposta/fine
6. Cavo fisso con spinotto stereo da 3,5 mm per riproduttore musicale esterno
7. Spia luminosa
8. Auricolari intercambiabili
9. Microfono
10. Presa del caricabatteria



Utilizzo dell'auricolare

L'auricolare Jabra BT325s vi consente di ascoltare la vostra musica preferita da un lettore musicale stand-alone, certi di non perdere mai una chiamata proveniente dal vostro telefono cellulare abilitato Bluetooth.

Se utilizzato come auricolare Bluetooth, Jabra BT325s consente di:

- Collegarsi a un massimo di 8 dispositivi
- Rispondere alle chiamate
- Terminare le chiamate
- Rifiutare le chiamate*
- Effettuare chiamate vocali*
- Richiamare l'ultimo numero digitato*
- Ricevere un avviso di chiamata*
- Mettere in attesa le chiamate*

* A seconda del telefono

Tutti i pulsanti sul dispositivo Bluetooth servono per controllare le funzioni summenzionate.

Caratteristiche tecniche:

- Fino a 8 ore di conversazione/240 ore in standby
- Batteria ricaricabile con opzione di carica da alimentatore CA
- Peso inferiore a 40 grammi incl. gli auricolari Jabra originali
- Raggio di azione fino a 10 metri circa.
- Profilo vivavoce (default) e auricolare Bluetooth
- Caratteristiche tecniche Bluetooth (*vedere glossario, pagina 47*) versione 1.2
- IPx2 (BT325s resiste ad un breve acquazzone)

L'auricolare BT325s può resistere ad un breve acquazzone ma non è impermeabile e quindi non può essere immerso in acqua. Se l'auricolare si bagna, rimuovere qualsiasi residuo di acqua per non danneggiarlo.

INFORMAZIONI PRELIMINARI

Il funzionamento di Jabra BT325s è molto semplice. Tutti i pulsanti servono a controllare le chiamate del telefonino e gli stessi pulsanti corrispondono ad una diversa funzione a seconda del tipo di pressione esercitata:

Istruzione:	Durata della pressione:
Premere leggermente	Premere velocemente e lasciare
Premere	Premere per circa 1 secondo
Tenere premuto	Tenere premuto per circa 5 secondi

1 Ricarica di Jabra BT325s

Ricaricare completamente Jabra BT325s prima di utilizzarlo. Utilizzare soltanto il caricabatterie fornito in dotazione. Non utilizzare caricabatterie di altri dispositivi, poiché potrebbero danneggiare l'auricolare Jabra BT325s.

Collegare Jabra BT325s come illustrato in figura 2 all'alimentatore CA per caricarlo da una presa di corrente. Quando le spie luminose sono rosse, l'auricolare è in carica. Quando la batteria è completamente carica, le spie diventano verdi.

2 Accensione di Jabra BT325s

- **Premere** il pulsante risposta/fine per accendere il dispositivo Jabra BT325s; quando è acceso, il LED luminoso lampeggia quattro volte.
- **Tenere premuto** il pulsante risposta/fine per spegnere il dispositivo.

Tenere presente che il Jabra BT325s può riprodurre musica dal lettore esterno anche quando Jabra BT325s è spento.

3 Connessione a un telefonino

Prima di utilizzare Jabra BT325s con un telefonino, è necessario effettuare la connessione.

1. **Impostare Jabra BT325s in modalità di connessione:**
 - Accertarsi che l'auricolare sia spento.
 - **Tenere premuto** il pulsante risposta/fine finché la spia luminosa non diventi blu.

2. Impostate il telefonino in modo da 'individuare' Jabra BT325s

Seguire le istruzioni fornite con il telefonino. Di solito queste suggeriscono di aprire il menu "Impostazioni", "Connessione" o "Bluetooth" sul telefonino e quindi selezionare l'opzione di "individuazione" o di "Aggiunta" di un dispositivo Bluetooth (**vedere esempio di un telefonino tipico nella fig. 3).**

3. Il telefonino rileverà il dispositivo Jabra BT325s

Viene visualizzato sul telefono cellulare un messaggio in cui si chiede se si vuole connetterlo all'auricolare, accettare con "Sì" o "OK" e confermare con la **password o il PIN = 0000 (4 zeri).**

Viene visualizzato un messaggio di conferma di connessione completata. In caso di errore nella connessione, ripetere i passaggi da 1 a 3.

4 Posizionamento di Jabra BT325s

L'auricolare Jabra BT325s è stato realizzato per essere utilizzato in modo confortevole grazie alla clip integrata o al passante per laccio (laccio non incluso). Il microfono è integrato nella parte in alto a sinistra del dispositivo (**quando si osserva BT325s come mostrato in figura 3. A).** Posizionare il dispositivo principale in modo da captare chiaramente la voce (**Vedere figura 3. B).**

5 Ascoltare musica dal lettore stand-alone

L'auricolare Jabra BT325s può sfruttare il massimo delle sue potenzialità se utilizzato insieme ad un lettore musicale esterno. Potrebbe trattarsi di un lettore MP3, di un media center portatile o di un qualsiasi altro dispositivo esterno, con un connettore stereo standard da 3,5 mm.

Per utilizzare l'auricolare Jabra BT325s con il lettore musicale, inserire lo spinotto da 3,5 mm nella presa dell'auricolare del lettore. Adesso è possibile ascoltare la musica preferita, certi di non perdere mai una chiamata proveniente dal vostro telefono cellulare abilitato Bluetooth.

Tutti i comandi di BT325s servono per controllare le chiamate del telefono cellulare. La musica, ad esempio le operazioni di avvio/arresto, avanzamento o arretramento di un brano, volume, ecc., deve essere gestita dal riproduttore musicale.

L'auricolare Jabra BT325s è compatibile con la maggior parte dei lettori musicali esterni.

6 Istruzioni per eseguire le operazioni

Ascoltare musica

Inserire il cavo fisso da 3,5 mm nel riproduttore musicale esterno. Non è necessario accendere Jabra BT325s per ascoltare la musica.

È inoltre possibile scollegare gli auricolari e collegarli direttamente al riproduttore musicale come se fossero cuffie normali.

Rispondere ad una chiamata

Per rispondere ad una chiamata, **premere leggermente** il pulsante risposta/fine di Jabra BT325s. La musica si interromperà automaticamente quando si riceve una chiamata.

Terminare una chiamata

Per terminare una chiamata in corso, **premere leggermente** il pulsante risposta/fine. La musica riprenderà automaticamente al termine della chiamata.

Rifiutare una chiamata*

Per rifiutare una chiamata in arrivo, **premere** il pulsante risposta/fine quando il telefonino squilla. A seconda delle impostazioni del telefonino, il chiamante sarà trasferito alla casella vocale oppure udirà un segnale di linea occupata.

Effettuare una chiamata*

Quando viene effettuata una chiamata dal telefonino, la musica si interrompe e la chiamata (a seconda delle impostazioni del telefonino) verrà automaticamente trasferita al dispositivo Jabra BT325s collegato.

Effettuare chiamate vocali*

Premere leggermente il pulsante risposta/fine e pronunciare il nome. Per ottenere risultati migliori, registrare il comando vocale con Jabra BT325s. Consultare il manuale di istruzioni del telefonino per ulteriori informazioni sull'utilizzo di questa funzione.

Richiamare l'ultimo numero*

Premere il tasto risposta/fine.

Servizio di "call waiting" (informazione sulle chiamate entranti) e di attesa delle chiamate*

Questa funzione consente di mettere una chiamata in attesa durante una conversazione per rispondere ad una chiamata in entrata.

- **Premere** una volta il pulsante risposta/fine per mettere in attesa la chiamata in corso e rispondere alla chiamata in entrata.
- **Premere** il pulsante risposta/fine per passare da una chiamata all'altra.
- **Premere** leggermente il pulsante risposta/fine per terminare la chiamata in corso.

Regolare l'audio e il volume

Premere il volume su o giù (+ o -) per regolare il volume (**vedere figura 1**).

* A seconda del telefono

7 Sostituire gli auricolari Jabra

Per sostituire gli auricolari Jabra forniti in dotazione con quelli da voi preferiti, è sufficiente inserire lo spinotto degli auricolari nella rispettiva presa su Jabra BT325s.

Se si utilizzano auricolari diversi dal modello Jabra fornito, tenere presente che le diversità di impedenza e sensibilità potrebbero ridurre o aumentare il volume massimo. Per ottenere le prestazioni migliori si consiglia di utilizzare apparecchi con un livello di impedenza di 16 Ohm. In ogni caso, adottare sempre la massima cautela quando si utilizzano auricolari diversi dal modello originale Jabra.

8 Significato delle spie luminose

Cosa si vede	Cosa significa per la cuffia auricolare
Luce blu lampeggiante	Lampeggiante ogni secondo: accesa all'ingresso di una chiamata
Luce blu lampeggiante	Lampeggiante ogni tre secondi: in modalità standby
Luce rossa lampeggiante	Batteria quasi scarica
Luce rossa fissa	Batteria in fase di ricarica
Luce verde fissa	Batteria completamente ricaricata
Luce blu fissa	In modalità pairing – vede paragrafo 3

9 Individuazione dei guasti e domande frequenti

Si sentono crepitii

Bluetooth è una tecnologia radio, per cui è sensibile agli oggetti tra l'auricolare e il dispositivo a cui si è connessi. Se non ci sono grandi ostacoli (muri ecc.), è possibile arrivare ad una distanza di circa 10 metri fra l'auricolare e il dispositivo a cui si è connessi.

Impossibile ascoltare la chiamata dall'auricolare

Alzare il volume sul BT325s.

Assicurarsi che l'auricolare sia connesso al telefono.

Assicurarsi che il telefono sia connesso all'auricolare nel menu del telefono o premere leggermente il pulsante risposta/fine sul BT325s.

Si hanno problemi nella connessione

È possibile che sia stata eliminata la connessione nel telefonino; seguire le istruzioni nella sezione 3.

Non si riesce a rifiutare una chiamata, mettere in attesa una chiamata, richiamare o utilizzare la selezione vocale.

Queste funzioni dipendono dal telefonino che deve supportare il profilo vivavoce Bluetooth; consultare il manuale di istruzioni del telefonino per ulteriori dettagli.

Impossibile ascoltare la musica dall'auricolare

Alzare il volume sul music player.

Assicurarsi che le cuffie siano collegate correttamente al BT325s.

Assicurarsi che il BT325s sia collegato alla porta da 3,5 mm sul music player

Assicurarsi che BT325 sia carico (non è necessario che sia acceso, è importante che sia carico)

Se il BT325s ha esaurito le batterie e non si è in grado di ricaricarlo, è possibile collegare le cuffie direttamente al music player.

Impossibile controllare il volume della musica dal controllo del volume del BT325s

Il controllo del volume e il pulsante risposta/fine sono dedicati al controllo delle chiamate.

Desidero mettere in pausa nel corso di una chiamata

Nel corso della chiamata la musica continua ad essere riprodotta. Per mettere la musica in pausa, utilizzare il pulsante pausa/stop sul music player.

10 Si ha bisogno di ulteriori informazioni?

Jabra offre assistenza ai clienti on-line sul sito www.jabra.com; per i dettagli sull'assistenza in ogni Paese, leggere la copertina interna.

11 Manutenzione della cuffia auricolare

- Depositare sempre la cuffia auricolare Jabra BT325s disattivata e adeguatamente protetta.
- Evitare di depositarla in ambienti a condizioni di temperatura estreme (superiori a 45°C/113°F – inclusa la luce solare diretta – o inferiori a -10°C/14°F). Quanto sopra potrebbe ridurre la durata della batteria e influenzare negativamente il funzionamento. Inoltre, le temperature elevate potrebbero ridurre le performance.
- Se l'auricolare viene esposto ad acqua o a un altro liquido, eliminarne qualsiasi traccia.

12 Garanzia

Jabra (GN Netcom) garantisce che il prodotto non presenta difetti di materiale e di lavorazione per un periodo di due anni dalla data di acquisto originale. Le condizioni della presente garanzia e le nostre responsabilità in merito ad essa sono descritte di seguito:

- La garanzia è limitata all'acquirente originale
- È necessario conservare una copia della ricevuta o di un'altra prova di acquisto
- La garanzia è nulla qualora vengano rimossi il numero di serie, l'etichetta del codice data o l'etichetta del prodotto, oppure qualora il prodotto venga danneggiato, installato non correttamente, modificato o riparato da terzi non autorizzati
- La responsabilità di Jabra (GN Netcom) verso i propri prodotti è limitata alla riparazione o alla sostituzione del prodotto a propria esclusiva discrezione
- Qualsiasi garanzia relativa ai prodotti Jabra (GN Netcom) ha una durata di due anni dalla data di acquisto e comprende tutti i componenti, inclusi cavi e connettori
- Dalla garanzia sono specificamente esclusi tutti i componenti consumabili dalla durata limitata normalmente soggetti a usura, come schermi antiventto per microfono, imbottiture per cuffie, finiture decorative, batterie e altri accessori
- Jabra (GN Netcom) non è responsabile dei danni accidentali o conseguenti derivanti dall'uso corretto o improprio di qualsiasi prodotto Jabra (GN Netcom)
- La presente garanzia concede diritti specifici. L'utente però può avere diritti di altra natura che variano da zona a zona
- L'utente non è autorizzato, in nessun caso, a tentare di effettuare assistenza, regolazioni o riparazioni sull'unità, sia questa coperta da garanzia o meno, fatta eccezione per i casi in cui diversamente indicato nel Manuale utente. Per tali operazioni il prodotto deve essere rispedito al punto di acquisto, fabbrica o centro di assistenza autorizzato
- Jabra (GN Netcom) non si assume nessuna responsabilità per eventuali perdite o danni avvenuti durante la spedizione. Qualsiasi lavoro di riparazione sui prodotti Jabra (GN Netcom) da parte di terzi non autorizzati annulla ogni tipo di garanzia

13 Certificazione e approvazioni sulla sicurezza

CE

Questo prodotto è contrassegnato dal marchio CE in conformità con le disposizioni della Direttiva R & TTE (1999/5/CE).

Con ciò, GN Netcom dichiara che questo prodotto è conforme ai requisiti essenziali e ad altre rilevanti disposizioni previste dalla Direttiva 1999/5/CE.

Per ulteriori informazioni, visitare il sito <http://www.jabra.com>

All'interno dell'Unione Europea, questo dispositivo può essere utilizzato in Austria, Belgio, Cipro, Repubblica Ceca, Danimarca, Estonia, Finlandia, Francia, Germania, Grecia, Ungheria, Irlanda, Italia, Lettonia, Lituania, Lussemburgo, Malta, Polonia, Portogallo, Slovacchia, Slovenia, Spagna, Svezia, Paesi Bassi, Regno Unito e all'interno dei Paesi dell'EFTA in Islanda, Norvegia e Svizzera.

Bluetooth

Il marchio e i logo *Bluetooth*® sono di proprietà di Bluetooth SIG, Inc. e tali marchi vengono utilizzati da GN Netcom su licenza. Altri marchi e nomi commerciali appartengono ai rispettivi proprietari.

14 Glossario

- 1 **Bluetooth** è una tecnologia radio che consente il collegamento di dispositivi, quali cellulari e cuffie auricolari, senza necessità di cavi o fili entro una breve distanza (circa 30 piedi). Per maggiori informazioni, consultare il sito www.bluetooth.com.
- 2 I **profili Bluetooth** corrispondono ai diversi modi in cui i dispositivi Bluetooth comunicano con altri dispositivi. I telefoni Bluetooth supportano sia il profilo con cuffia auricolare, sia con viva-voce o entrambi. Al fine di supportare un determinato profilo, è necessario che il produttore del telefono implementi determinate funzioni obbligatori nell'ambito del software del telefono.
- 3 **Pairing** consente di creare un collegamento unico e cifrato tra due dispositivi Bluetooth, consentendone la comunicazione reciproca. I dispositivi Bluetooth non potranno funzionare nel caso in cui i dispositivi non siano accoppiati.
- 4 **Chiave d'accesso o PIN** corrisponde a un codice da immettere sul cellulare per accoppiarlo alla cuffia auricolare Jabra BT325s. Ciò consentirà il riconoscimento reciproco di cellulare e cuffia auricolare Jabra BT325s, consentendone un funzionamento contemporaneo automatico.
- 5 **Modalità standby** corrisponde alla modalità in cui Jabra BT325s è passivamente in attesa di una chiamata call. Terminando una chiamata sul cellulare, la cuffia auricolare si posizionerà in modalità di standby.



Lo smaltimento del prodotto deve avvenire conformemente agli standard e alle normative locali. www.jabra.com/weee

Nederlands

Dank u wel	50
AAN DE SLAG	53
1. Uw Jabra BT325s opladen	53
2. Uw Jabra BT325s aanzetten	53
3. Paren met een mobiele telefoon	53
4. Uw Jabra BT325s dragen	54
5. Naar muziek luisteren op uw zelfstandige muzikspeler	54
6. Hoe moet ik.....	55
7. Verwisselen van de Jabra-koptelefoon.....	56
8. Wat de lampjes betekenen	56
9. Problemen oplossen en veelgestelde vragen	56
10. Meer hulp nodig?.....	57
11. Uw headset in goede staat houden	57
12. Garantie	58
13. Certificatie en veiligheidskeurmerken	58
14. Woordenlijst	59

Dank u wel

Bedankt voor uw aankoop van de Jabra BT325s Bluetooth-headset. We hopen dat u er veel plezier van zult hebben. De gebruikershandleiding helpt u op weg om uw Jabra-headset optimaal te gebruiken.

! Vergeet niet dat rijden belangrijker is dan bellen!

Het gebruik van een mobiele telefoon tijdens het rijden kan uw aandacht afleiden en verhoogt de kans op ongelukken. Als dit gezien de rijomstandigheden nodig is (bijvoorbeeld bij slecht weer, druk verkeer, kinderen in de auto of slechte wegen) dient u eerst ergens te parkeren voordat u gaat bellen of gesprekken gaat beantwoorden. Probeer gesprekken ook kort te houden, maak geen aantekeningen en lees geen documenten door.

Het gebruik van deze headset op beide oren tijdens het rijden kan in sommige landen verboden zijn.

Let op: rij altijd veilig, laat u niet afleiden en volg de plaatselijk geldende wetgeving.

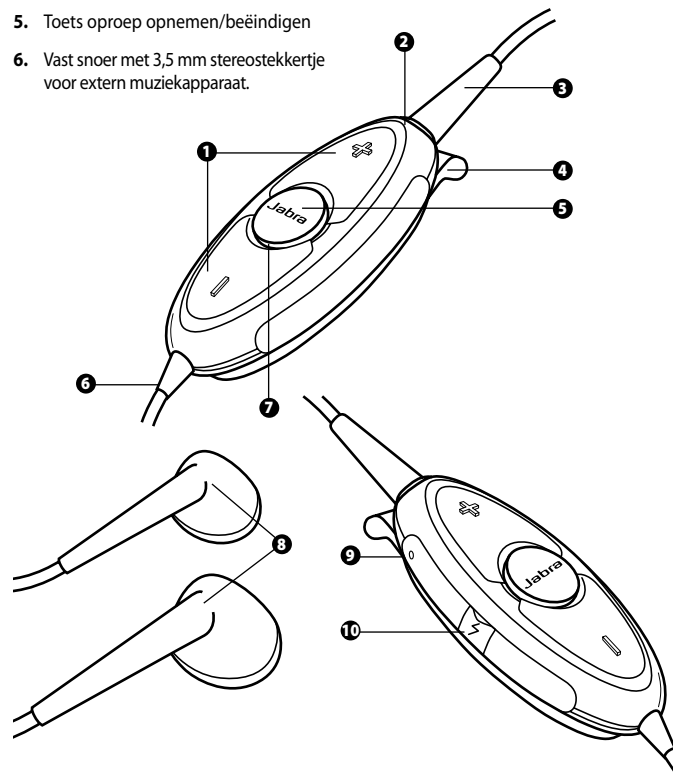
Bescherm uw gehoor!

WAARSCHUWING: door deze koptelefoon op een hoog volumeniveau te gebruiken, riskeert u een permanent gehoorverlies. Als uw oren gaan piepen moet u het volume verminderen of de koptelefoon tijdelijk terzijde leggen. Als u deze op een hoog volumeniveau blijft gebruiken, raken uw oren wellicht gewend aan het geluidsniveau, hetgeen tot een permanente gehoorbeschadiging kan leiden. Houd het volume op een veilig niveau. Het gebruik van een koptelefoon tijdens het besturen van een motorvoertuig, motor, vaartuig of fiets kan gevaarlijk zijn en is in sommige landen wettelijk verboden. Controleer de lokale wet- en regelgeving. Neem voorzichtigheid in acht als u uw koptelefoon gebruikt bij activiteiten die uw volledige aandacht nodig hebben. Bij dergelijke activiteiten voorkomt u dat u wordt afgeleid - en daarmee vermijdt u tevens ongelukken of letsels - als u de luidsprekers niet langer ophoudt of uw koptelefoon uitzet.

Houd er rekening mee als u een andere koptelefoon gebruikt dan het meegeleverde Jabra-model, dat verschillen in impedantie en gevoeligheid het maximale volumeniveau kunnen beperken of verhogen. Neem daarom altijd extra voorzorgsmaatregelen als u een andere koptelefoon gebruikt dan het originele Jabra-model.

Over uw Jabra BT325s

- | | |
|---|------------------------------|
| 1. Volume omhoog (+) Volume omlaag (-) | 7. Indicatielamp |
| 2. Koptelefoonaansluiting | 8. Verwisselbare koptelefoon |
| 3. Hoofdtelefoonaansluiting (los te koppelen) | 9. Microfoon |
| 4. Kledingclip met oog voor een koord | 10. Oplaadaansluiting |
| 5. Toets oproep opnemen/beëindigen | |
| 6. Vast snoer met 3,5 mm stereosteekertje voor extern muziekapparaat. | |



Dit kan uw nieuwe headset allemaal

Met de Jabra BT325s kunt u naar uw favoriete zelfstandige muziekspeler luisteren terwijl u met uw mobiele telefoon voorzien van Bluetooth-mogelijkheden nooit een gesprek hoeft te missen.

Dit kan uw Jabra BT325s allemaal als u hem als Bluetooth-headset gebruikt:

- Paren met tot 8 apparaten
- Gespreken beantwoorden
- Gesprekken beëindigen
- Gespreken weigeren*
- Spraakherkenning*
- Laatste nummer herkiezen*
- Wisselgesprek*
- Gesprek in de wachtstand zetten*

* Afhankelijk van type telefoon

Alle toetsen op het Bluetooth-apparaat zijn bestemd voor het bedienen van de bovengenoemde functies.

Specificaties:

- Gesprektijd tot maximaal 8 uur/stand-bytijd tot maximaal 240 uur
- Oplaadbare batterij met oplaadmogelijkheid vanaf AC-voeding
- Weegt minder dan 40 gram (incl. de originele Jabra-koptelefoon)
- Bereik maximaal 10 meter (ongeveer 33 feet)
- Handsfree (standaard) en Headset Bluetooth-profielen
- Bluetooth-specificatie 1.2 (*zie woordenlijst pagina 59*)
- IPx2 (De BT325s is bestand tegen een korte regenbui)

Uw BT325s kan tegen een korte regenbui, maar is niet waterdicht en kan niet worden ondergedompeld. Als uw apparaat nat is, moet het worden drooggemaakt en moeten alle waterresten zorgvuldig worden verwijderd om potentiële schade te voorkomen.

AAN DE SLAG

De Jabra BT325s is eenvoudig te bedienen. U kunt met alle knoppen uw mobiele oproepen bedienen. De knoppen hebben allemaal een andere functie, afhankelijk van hoe lang u ze ingedrukt houdt:

Instructie:	Tijd dat knop wordt ingedrukt:
Tikken	Kort indrukken
Indrukken	Ongeveer 1 seconde
Ingedrukt houden	Ongeveer 5 seconden

1 Uw Jabra BT325s opladen

Laad uw Jabra BT325s volledig op voordat u uw systeem in gebruik neemt. Gebruik alleen de in de doos bijgeleverde laders. Gebruik geen laders van andere apparaten. Uw Jabra BT325s kan hierdoor beschadigd raken.

Om vanuit een stopcontact op te laden dient u uw Jabra BT325s op de AC-voeding aan te sluiten zoals afgebeeld in fig. 2. Als de indicatielampjes constant rood branden, wordt uw headset geladen. Als de lampjes groen worden, is de headset volledig geladen.

2 Uw Jabra BT325s aanzetten

- **Druk** op de toets Beantwoorden/Beëindigen om de Jabra BT325s aan te zetten – als het apparaat aanstaat, knippert de LED-indicator vier keer.
- **Druk** de toets Beantwoorden/Beëindigen in en houdt deze ingedrukt om het apparaat uit te schakelen

Let op! De Jabra BT325s kan nog steeds muziek afspelen vanaf de zelfstandige muziekspeler, zelfs als de Jabra BT325s is uitgeschakeld.

3 Paren met een mobiele telefoon

Voordat u uw Jabra BT325s met een mobiele telefoon kunt gebruiken, moet u het systeem eerst paren.

1. **Zet de Jabra BT325s in de paarmodus:**
 - Controleer of de headset is uitgeschakeld.
 - **Houd** de toets beantwoorden/beëindigen **ingedrukt** totdat het indicatielampje blauw brandt.

2. Stel uw mobiele telefoon in om de Jabra BT325s te 'detecteren'

Volg de handleiding van uw telefoon. Meestal moet u hierbij naar een menu 'instellen', 'aansluiten' of 'Bluetooth' op uw telefoon, waarbij u dan de optie selecteert voor het detecteren of toevoegen van een Bluetooth-apparaat. **(Zie voorbeeld van een standaard mobiele telefoon in fig. 3)**

3. Uw telefoon vindt de Jabra BT325s

Uw telefoon vraagt of u wilt paren. Accepteer dit met "Ja" of "ok" en bevestig met het wachtwoord of PIN = 0000 (4 nullen).

Uw telefoon geeft aan wanneer het paren voltooid is. Als het paren is mislukt, moet u de stappen 1 tot en met 3 herhalen.

4 Uw Jabra BT325s dragen

Uw Jabra BT325s is met geïntegreerde kledingclip en oog voor een koord speciaal ontworpen voor groot draagcomfort (koord niet meegeleverd). De microfoon is geïntegreerd aan de linker bovenkant van het apparaat **(als u de BT325s bekijkt zoals in figuur 3. A)**. Houd hier bij het plaatsen van het hoofdapparaat rekening mee om er zeker van te zijn dat uw stem duidelijk hoorbaar blijft bij gebruik van het apparaat. **(Zie fig. 3. B)**

5 Naar muziek luisteren op uw zelfstandige muzikspeler

Bij gebruik in combinatie met een zelfstandige muzikspeler haalt u het maximale uit uw Jabra BT325s. Dit kan een mp3-speler, een draagbaar medium of een willekeurig extern muziekapparaat zijn dat is voorzien van een standaard stereo-aansluiting van 3,5 mm.

Om uw Jabra BT325s in combinatie met uw muzikspeler te gebruiken, plaatst u de 3,5 mm-stekker in de hoofdtelefoonaansluiting van uw muzikspeler. U kunt nu naar uw favoriete nummers luisteren terwijl u met uw mobiele telefoon met Bluetooth-mogelijkheden nooit een gesprek hoeft te missen.

Alle toetsen op de BT325s zijn bestemd voor het beheren van uw mobiele telefoongesprekken. Via uw muziekapparaat beheert u uw muziek, zoals start/stop, nummers overslaan, vooruit- of achteruit spoelen, volume, etc.

De Jabra BT325s is geschikt voor de meeste zelfstandige muzikspelers.

6 Hoe moet ik...

Muziek beluisteren

Steek het vaste snoer van 3,5 mm in uw zelfstandige muzikspeler. Om naar muziek te luisteren hoeft de Jabra BT325s niet ingeschakeld te zijn.

U kunt ook de hoofdtelefoon loskoppelen en deze direct als normale hoofdtelefoon aansluiten op de muzikspeler.

Een gesprek beantwoorden

Raak de toets beantwoorden/beëindigen op uw Jabra BT325s aan om een gesprek te beantwoorden als de telefoon gaat. De muziek gaat automatisch uit als er een oproep binnenkomt.

Een gesprek beëindigen

Raak de toets beantwoorden/beëindigen aan om een actief gesprek te beëindigen. De muziek wordt automatisch weer gestart na het beëindigen van een oproep.

Een gesprek weigeren*

Druk als de telefoon gaat op de toets beantwoorden/beëindigen om een inkomend gesprek te weigeren. Afhankelijk van uw telefooninstellingen wordt de persoon die belt naar uw voicemail doorgeschakeld of hoort hij een in gesprektoon..

Een gesprek voeren

Als u een gesprek vanaf uw mobiele telefoon voert, wordt de muziek gestopt en wordt het gesprek (afhankelijk van de telefooninstellingen) bij verbinding automatisch overgezet naar uw Jabra BT325s.

Spraakherkenning activeren*

Druk op de toets beantwoorden/beëindigen en zeg de naam. Voor het beste resultaat moet u de spraakherkennings-tag opnemen terwijl u de Jabra BT325s draagt. Raadpleeg de gebruikershandleiding van uw telefoon voor meer informatie over het gebruik van deze functie.

Laatste nummer herhalen*

Druk op de toets beantwoorden/beëindigen.

Call-waiting en een gesprek in de wacht zetten*

Hiermee kunt u een gesprek in de wacht zetten om een inkomend gesprek te beantwoorden.

- **Druk** eenmaal op de toets beantwoorden/beëindigen om het actieve gesprek in de wacht te zetten en het inkomende gesprek te beantwoorden
- **Druk** op de toets beantwoorden/beëindigen om tussen de twee gesprekken te wisselen
- **Druk** op de toets beantwoorden/beëindigen om het actieve gesprek te beëindigen

Geluid en volume aanpassen

Druk op volume omhoog of omlaag (+ of -) om het volume aan te passen. **(Zie fig. 1)**

* **Afhankelijk van type telefoon**

7 Verwisselen van de Jabra-hoofdtelefoon

Het verwisselen van de meegeleverde Jabra-hoofdtelefoon met uw favoriete hoofdtelefoon kan eenvoudig door uw hoofdtelefoonstekker in de hoofdtelefoonaansluiting op de Jabra BT325s te plaatsen.

Houd er rekening mee als u een andere hoofdtelefoon gebruikt dan het meegeleverde Jabra-model, dat verschillen in impedantie en gevoeligheid het maximale volumeneauw kunnen beperken of verhogen. Voor de beste prestaties wordt een impedantieniveau van 16 Ohm aanbevolen. Neem daarom altijd extra voorzorgsmaatregelen als u een andere hoofdtelefoon gebruikt dan het originele Jabra-model.

8 Wat de lampjes betekenen

Wat u ziet	Wat dit betekent voor uw headset
Blauw knipperlicht	Knippert elke seconde: in gesprek
Blauw knipperlicht	Knippert elke drie seconden: in stand-by modus
Rood knipperlicht	Batterijniveau laag
Rood licht	Opladen
Groen licht	Volledig opgeladen
Blauw licht	In pari ring modus – zie hoofdstuk 3

9 Problemen oplossen en veelgestelde vragen**Ik hoor gekraak**

Bluetooth is een radiotechnologie en is daarom gevoelig voor objecten tussen de headset en het apparaat waarop het is aangesloten. Als er geen grote objecten (muren e.d.) in de weg staan, moet een afstand van 10 meter tussen de headset en het aangesloten apparaat mogelijk zijn.

Ik kan het telefoongesprek in de headset niet horen.

Verhoog het volume van de BT325s.

Zorg ervoor dat de headset is gepaard met uw telefoon.

Zorg ervoor dat uw telefoon is aangesloten op de headset via het menu van de telefoon of door op de toets beantwoorden/beëindigen op de BT325s te drukken.

Het paren gaat niet goed

Het kan zijn dat u uw paaraansluiting in uw mobiele telefoon hebt verwijderd. Volg de instructies voor het paren in hoofdstuk 3.

Ik kan Gesprek weigeren, Gesprek in de wacht, Nummer herhalen of Spraakherkenning niet gebruiken

Deze functies zijn afhankelijk van uw Bluetooth handsfree-profiel dat door uw telefoon wordt ondersteund. Raadpleeg de handleiding van uw telefoon voor meer informatie.

Ik kan geen muziek horen in de headset

Verhoog het volume van uw muzikspeler.

Zorg ervoor dat de koptelefoon correct is aangesloten op de BT325s.

Zorg ervoor dat de BT325s is aangesloten op de 3,5 mm-poort op de muzikspeler

Zorg ervoor dat de BT325s opgeladen is (hij hoeft niet ingeschakeld te zijn, maar wel opgeladen)

Indien de batterijen van de BT325s leeg zijn en u niet in staat bent om ze op te laden, kunt u de koptelefoon rechtstreeks op de muzikspeler aansluiten.

Ik kan het muzikvolume niet met de volumeregelaar op de BT325s regelen.

De volumeregelaar en de toets voor beantwoorden/beëindigen zijn bestemd voor het beheer van uw telefoongesprekken.

Ik wil dat de muziek pauzeert als ik bel

De muziek speelt door wanneer u belt. Gebruik pauze/stop op uw muzikspeler wanneer u wilt dat de muziek pauzeert.

10 Meer hulp nodig?

Jabra ondersteunt zijn klanten on line via www.jabra.com. U kunt ook aan de binnenkant van de omslag kijken voor de supportgegevens voor uw land.

11 Uw headset in goede staat houden

- Berg de Jabra BT325s altijd op een veilige plek op en schakel hem steeds uit.
- Berg hem nooit op onder extreme temperaturen (hoger dan 45°C – inclusief rechtstreeks zonlicht – of lager dan -10°C). Dit kan de levensduur van de batterij verkorten en de goede werking ervan beïnvloeden. Hoge temperaturen kunnen ook een negatieve invloed hebben op de prestaties van uw headset.
- Bij contact met water of andere vloeistoffen dient het apparaat grondig te worden schoongemaakt zodat er geen waterresten op het apparaat achterblijven.

12 Garantie

Jabra (GN Netcom) garandeert dat dit product vrij is van alle gebreken in materiaal en afwerking voor een periode van twee jaar vanaf de datum van aankoop. De voorwaarden van deze garantie en onze verplichtingen krachtens deze garantie zijn als volgt:

- De garantie geldt uitsluitend voor de oorspronkelijke koper
- U dient een kopie van uw kwitantie of een ander betalingsbewijs te overleggen.
- De garantie geldt niet als het serienummer, de datumcode of het productetiket is verwijderd of als het product is blootgesteld aan een onzorgvuldige behandeling, verkeerd is geïnstalleerd, is gewijzigd of is gerepareerd door onbevoegde derden
- De verplichtingen van Jabra (GN Netcom) met betrekking tot zijn producten zijn beperkt tot de reparatie of de vervanging van het product, zulks ter beoordeling van Jabra
- Elke impliciete garantie op Jabra (GN Netcom) producten is beperkt tot twee jaar vanaf de datum van aankoop en geldt voor alle onderdelen, inclusief snoeren en stekkers
- Specifiek uitgesloten van elke garantie zijn gebruiksonderdelen met een beperkte levensduur die onderhevig zijn aan normale slijtage, zoals windschermen voor de microfoon, oorkussentjes, sierkappen, batterijen en andere accessoires
- Jabra (GN Netcom) is niet aansprakelijk voor incidentele schade of gevolgschade die voortvloeit uit het gebruik of misbruik van Jabra (GN Netcom) producten
- Deze garantie geeft u specifieke rechten, maar u kunt ook over andere rechten beschikken die plaatselijk kunnen verschillen
- Behoudens andere instructies in de Gebruikershandleiding mag de gebruiker nimmer onderhouds-, afstel-, of reparatiewerkzaamheden uitvoeren aan dit apparaat, ongeacht of dit wel of niet onder de garantie valt. Het apparaat moet voor alle genoemde werkzaamheden worden teruggestuurd naar de winkel, de fabriek of een erkend servicebedrijf
- Jabra (GN Netcom) aanvaardt geen enkele aansprakelijkheid voor een defect of schade die is ontstaan tijdens de verzending. Indien reparatiewerkzaamheden aan Jabra (GN Netcom) producten worden uitgevoerd door onbevoegde derden, vervalt de garantie

13 Certificatie en veiligheidskeurmerken

CE

Dit product heeft een CE-keurmerk overeenkomstig de bepalingen van de R & TTE-richtlijn (1999/5/EG).

Hierbij verklaart GN Netcom dat dit product in overeenstemming is met de essentiële eisen en andere relevante bepalingen van Richtlijn 1999/5/EG.

Verdere informatie vindt u op: <http://www.jabra.com>

Dit apparaat is binnen de EU bedoeld voor gebruik in Oostenrijk, België, Cyprus, Tsjechië, Denemarken, Estland, Finland, Frankrijk, Duitsland, Griekenland, Hongarije, Ierland, Italië, Letland, Litouwen, Luxemburg, Malta, Polen, Portugal, Slowakije, Slovenië, Spanje, Zweden, Nederland, het Verenigd Koninkrijk en binnen de EVA in IJsland, Noorwegen en Zwitserland.

Bluetooth

De merknaam en logo's van *Bluetooth®* zijn eigendom van Bluetooth SIG, Inc. en worden door GN Netcom in licentie gebruikt. Andere handelsmerken en merknamen zijn eigendom van hun respectieve eigenaars.

14 Woordenlijst

- 1 **Bluetooth** is een radiotechnologie waarmee toestellen zoals mobiele telefoons en headsets zonder draden of kabels over een korte afstand (zo'n 10m) met elkaar kunnen verbonden worden. Surf naar www.bluetooth.com voor meer informatie.
- 2 **Bluetooth profielen** zijn de verschillende manieren waarop Bluetooth toestellen communiceren met andere toestellen. Bluetooth telefoons ondersteunen het headset profiel, het handsfree profiel of beide profielen. Om een bepaald profiel te ondersteunen, moet de fabrikant van de telefoon bepaalde functies integreren in de software van de telefoon.
- 3 **Pairing** brengt een unieke en beveiligde verbinding tot stand tussen twee Bluetooth toestellen en zorgt ervoor dat ze met elkaar kunnen communiceren. Bluetooth toestellen zullen niet kunnen communiceren wanneer ze niet eerst zijn gekoppeld ('pairing').
- 4 **Sleutelcode of PIN** is een code die u op uw mobiele telefoon invoert om hem te koppelen aan uw Jabra BT325s. Hierdoor gaan uw telefoon en de Jabra BT325s elkaar herkennen en automatisch samenwerken.
- 5 **Stand-by modus** is wanneer de Jabra BT325s passief wacht op een gesprek. Wanneer u een gesprek op uw mobiele telefoon beëindigt, schakelt de headset automatisch over op de stand-by modus.



Het afdanken van het product dient te geschieden in overeenstemming met de plaatselijk geldende normen en wet- en regelgeving. www.jabra.com/weee



"Dit apparaat bevat batterijen, deze na afdanking inleveren"

Español

Gracias.....	62
INTRODUCCIÓN.....	65
1. Cargar el Jabra BT325s.....	65
2. Encienda el Jabra BT325s.....	65
3. Sincronización con un teléfono móvil.....	65
4. Uso del auricular Jabra BT325s.....	66
5. Escuchar la música de su reproductor independiente.....	66
6. Cómo.....	67
7. Cambio de los auriculares Jabra.....	68
8. Significado de la iluminación.....	68
9. Solución de problemas y preguntas más frecuentes.....	68
10. ¿Necesita más ayuda?.....	69
11. Cuidado del auricular.....	69
12. Garantía.....	70
13. Certificación y aprobaciones de seguridad.....	70
14. Glosario.....	71

Gracias

Gracias por comprar el auricular Bluetooth Jabra BT325s. Esperamos que sea de su agrado. La guía del usuario le ayudará a empezar a utilizar y a lograr el máximo rendimiento de su auricular Jabra.

! Recuerde que al volante una llamada no debe distraerle.

Utilizar el teléfono móvil mientras conduce le puede distraer y aumentar el riesgo de tener un accidente. Si las condiciones de la conducción lo requieren (como el mal tiempo, tráfico denso, niños en el coche o condiciones difíciles en la carretera), sálgase de la misma y aparque antes de hacer o responder a una llamada. Asimismo, intente que ésta sea breve y no tome notas ni lea documentos.

El uso de estos auriculares que cubren ambos oídos mientras conduce puede que no esté permitido en algunos países.

Recuerde: Siempre debe conducir con seguridad, evitar las distracciones y cumplir la normativa local.

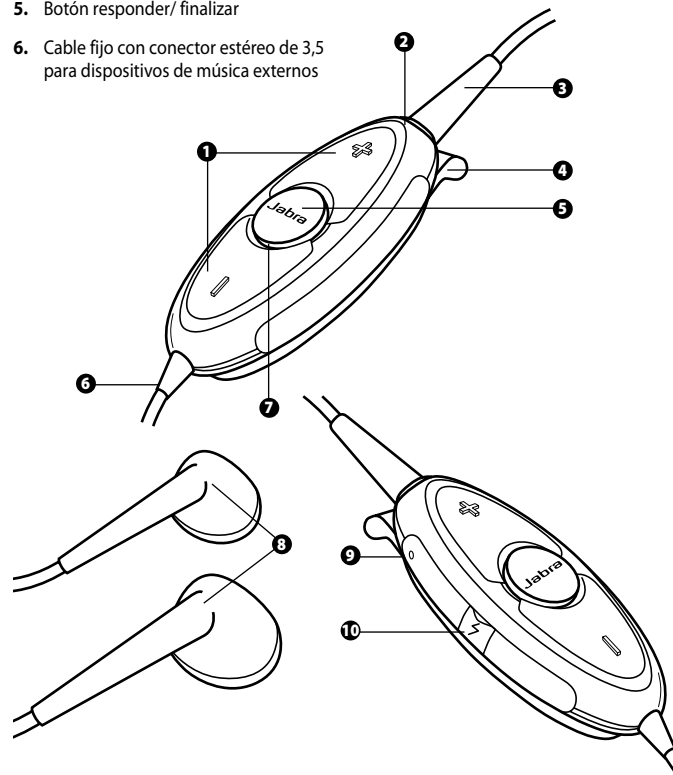
¡Proteja su capacidad auditiva!

ATENCIÓN: Si usa los auriculares a un volumen alto podrían producirse pérdidas auditivas irreversibles. Si siente pitidos en los oídos, reduzca el volumen o interrumpa el uso de los auriculares. Si usa de forma habitual los auriculares a un volumen alto, sus oídos podrían acostumbrarse a ese nivel de sonido y dañar irreversiblemente su capacidad auditiva. No use los auriculares a un volumen que supere el nivel de seguridad. Usar los auriculares mientras conduce un vehículo motorizado, una motocicleta, una moto de agua o una bicicleta podría ser peligroso. Además es ilegal en algunos países. Revise la legislación local. Tenga cuidado mientras use los auriculares si debe realizar alguna actividad que requiera atención total. Mientras la esté realizando, retire los auriculares de la oreja o desconéctelos para evitar distracciones y los consiguientes accidentes o daños.

Si utiliza un auricular diferente al modelo Jabra incluido, tenga en cuenta que las diferencias de impedancia y sensibilidad podrían aumentar o reducir el volumen máximo de salida. Por ello, tenga siempre un cuidado especial cuando utilice un auricular diferente al modelo Jabra original.

Acerca de Jabra BT325s

1. Volumen: subir (+) o bajar (-)
2. Conector del auricular
3. Conector del auricular (extraíble)
4. Clip de sujeción con cordón
5. Botón responder/ finalizar
6. Cable fijo con conector estéreo de 3,5 para dispositivos de música externos
7. Indicador luminoso
8. Auriculares intercambiables
9. Micrófono
10. Enchufe de carga



Posibilidades de su nuevo auricular

El modelo Jabra BT325s le permitirá escuchar música en su reproductor sin temor a perder las llamadas que reciba en su teléfono móvil Bluetooth.

Cuando se utiliza como auricular Bluetooth, el dispositivo Jabra BT325s proporciona las siguientes funciones:

- Asociar hasta 8 dispositivos
- Responder llamadas
- Terminar llamadas
- Rechazar llamadas*
- Marcación por voz*
- Volver a marcar el último número*
- Llamada en espera*
- Retención de llamadas*

* En función de las características del modelo de teléfono

Tenga en cuenta que todos los botones del dispositivo Bluetooth permiten controlar las funciones anteriores.

Especificaciones:

- Tiempo de conversación de hasta 8 horas / tiempo en espera (standby) de hasta 240 horas
- Batería recargable, con opción de carga mediante la fuente de alimentación CA
- Menos de 40 gramos de peso, incluyendo los auriculares Jabra originales
- Distancia de funcionamiento de hasta 10 metros
- Perfiles Bluetooth de manos libres (predeterminado) y auriculares
- Especificación Bluetooth 1.2 (*vea la página 71 del glosario*)
- IPX2 (BT325s puede soportar una lluvia ligera breve)

El BT325S podría soportar una breve lluvia pero no es impermeable y no debe sumergirlo. Si el dispositivo se mojara, elimine cualquier resto de humedad para protegerlo ante cualquier posible daño.

INTRODUCCIÓN

El Jabra BT325s es muy fácil de usar. Todos los botones están diseñados para controlar las llamadas del teléfono móvil. Cada tecla tiene una función diferente, dependiendo de cuánto tiempo se presione.

Instrucción:	Duración de pulsado:
Tocar	Pulsar brevemente y soltar
Pulsar	Pulsar durante aproximadamente 1 segundo
Mantener pulsado	Mantener pulsado durante aproximadamente 5 segundos

1 Cargar el Jabra BT325s

Antes de comenzar a utilizar el auricular Jabra BT325s, realice una carga completa. Utilice únicamente los cargadores incluidos en la caja. No utilice cargadores de otros dispositivos, ya que podría dañar el Jabra BT325s.

Conecte el Jabra BT325s a la fuente de alimentación de CA a través de enchufe, tal como se indica en la figura 2. El indicador se ilumina fijamente en color rojo cuando el auricular se está cargando. Cuando la luz cambie a verde, el auricular estará totalmente cargado.

2 Encienda el Jabra BT325s

- **Presione el botón "answer/end"** (responder/finalizar) para encender el Jabra BT325s. Si el dispositivo está encendido, el indicador LED parpadeará cuatro veces.
- **Mantenga presionado el botón "answer/end"** (responder/ finalizar) para apagar el dispositivo.

Aunque esté apagado, el Jabra BT325s puede seguir reproduciendo música en el reproductor independiente.

3 Sincronización con un teléfono móvil

Para poder utilizar el auricular Jabra BT325s con un teléfono móvil es necesario sincronizarlos.

1. **Ponga el auricular Jabra BT325s en el modo de sincronización:**
 - Asegúrese de que el auricular esté apagado.
 - **Mantenga presionado el botón "answer/end"** (responder/finalizar) hasta que el indicador se ilumine fijamente en color azul.

- 2. Configure el teléfono móvil para “discover” (detectar) el Jabra BT325s**
Siga las instrucciones de su teléfono móvil. Esto normalmente implica ir a un menú “setup” (configurar), “connect” (conectar) o “Bluetooth” en el teléfono móvil y seleccionar la opción “discover” (detectar) o “add” (añadir) para agregar un dispositivo Bluetooth. *(ver ejemplo de teléfono móvil típico en fig. 3)*
- 3. El teléfono móvil encontrará el Jabra B325s**
El teléfono le preguntará si desea sincronizarlos. Para aceptar marque “yes” (sí) u “ok” y confírmelo con la **clave o el PIN=0000 (4 ceros)**

El teléfono confirmará la sincronización. En caso de sincronización fallida, repita los pasos del 1 al 3.

4 Uso del auricular Jabra BT325s

El auricular Jabra BT325s ha sido diseñado para usarse con absoluta comodidad mediante el clip de sujeción o el cordón (cordón no incluido). El micrófono está integrado en la parte superior izquierda del dispositivo *(si se visualiza el BT325s como en la imagen 3. A)* Tenga esto en cuenta al colocar el dispositivo principal, de modo que el micrófono pueda recoger su voz con claridad. *(Véase Fig. 3. B)*

5 Escuchar la música de su reproductor independiente

El modelo Jabra BT325s desarrolla su máximo potencial cuando se utiliza junto a un reproductor de música independiente. Puede ser tanto un reproductor de MP3 como un centro multimedia portátil o cualquier otro tipo de reproductor de música externo que disponga de un conector estéreo de 3,5 mm.

Para utilizar el auricular Jabra BT325s con su reproductor de música, inserte el conector de 3,5 mm en el enchufe para el auricular del reproductor de música. Ahora podrá escuchar sus canciones favoritas sin preocuparse por perder las llamadas que reciba en su teléfono móvil con Bluetooth.

Tenga en cuenta que los controles del auricular BT325s únicamente permiten administrar las llamadas realizadas a través del teléfono móvil. Para controlar la música (detener o iniciar la reproducción, avanzar o retrasar la canción, ajustar el volumen, etcétera) deberá utilizar los controles del reproductor de música.

El auricular Jabra BT325s es compatible con la mayoría de los reproductores de música.

6 Cómo...

Escuchar música

Enchufe el cable fijo de 3,5 mm al dispositivo de música independiente. No es necesario encender el Jabra BT325s para escuchar música.

También puede desconectar los auriculares e insertarlos directamente en el dispositivo de música como auriculares normales.

Responder a una llamada

Pulse brevemente el botón “answer/end” (responder/finalizar) del Jabra BT325s para responder a una llamada cuando suene el teléfono. La música se detendrá automáticamente al llegar una llamada entrante.

Terminar una llamada

Pulse brevemente el botón “answer/end” (responder/finalizar) para terminar una llamada activa. La música continuará automáticamente tras la llamada.

Rechazar una llamada*

Para rechazar una llamada entrante, **presione** el botón “answer/end” (responder/finalizar) cuando suene el teléfono. Dependiendo de la configuración de su teléfono, la persona que llama pasará al buzón de voz o escuchará la señal de ocupado.

Hacer una llamada*

Al hacer una llamada desde el teléfono móvil, se detendrá la música y la llamada pasará automáticamente (dependiendo de la configuración del teléfono) al Jabra BT325s si está conectado.

Activar la marcación por voz*

Pulse brevemente el botón “answer/end” (responder/finalizar) y pronuncie el nombre. Para obtener un resultado óptimo, grabe el código de marcación por voz mientras usa el Jabra BT325s. Consulte el manual del usuario del teléfono móvil para obtener más información sobre el uso de esta función.

Volver a marcar el último número marcado*

Pulse el botón “answer/end” (responder/finalizar).

Llamada en espera y dejar una llamada en espera*

Esto le permite poner una llamada en espera durante una conversación para contestar una llamada entrante.

- **Pulse** el botón answer/end (responder/finalizar) una vez para poner en espera la llamada activa y responder a la llamada entrante.
- **Pulse** el botón answer/end (responder/finalizar) para cambiar entre las dos llamadas.
- **Pulse** el botón answer/end (responder/finalizar) para finalizar la llamada activa.

Ajuste del sonido y el volumen

Pulse volumen subir o bajar (+ o -) para ajustar el volumen. (Véase Fig. 1)

* En función de las características del modelo de teléfono

7 Cambio de los auriculares Jabra

Para cambiar el auricular Jabra incluido por sus auriculares favoritos, enchufe el conector de sus auriculares en el orificio del dispositivo Jabra BT325s.

Si utiliza un auricular diferente al modelo Jabra incluido, tenga en cuenta que las diferencias de impedancia y sensibilidad podrían aumentar o reducir el volumen máximo de salida. Para obtener un resultado óptimo se recomienda un nivel de impedancia de 16 Ohm. No obstante, tenga siempre un cuidado especial cuando utilice un auricular diferente al modelo Jabra original.

8 Significado de la iluminación

Qué se ve	Qué significa en relación con su auricular
Luz azul destellante	Un destello por segundo: activo en una llamada
Luz azul destellante	Un destello cada tres segundos: en modo de espera
Luz roja destellante	Carga baja de la batería
Luz roja permanente	Cargando
Luz verde permanente	Totalmente cargada
Luz azul permanente	En modo de emparejado, consulte la sección 3

9 Solución de problemas y preguntas más frecuentes

Oigo interferencias

Bluetooth es una tecnología de radio. Esto significa que es sensible a los objetos entre el auricular y el dispositivo al que está conectado. Debería disponer de unos 10 metros (33 pies) de distancia entre el auricular y el dispositivo conectado si no hay objetos voluminosos entre ellos (paredes, etc.).

No puedo escuchar una llamada de teléfono por el auricular

Suba el volumen del BT325s.

Asegúrese de que el auricular está sincronizado con su teléfono.

Asegúrese de que su teléfono está conectado al auricular en el menú del teléfono o pulsando brevemente el botón responder/fin del BT325s.

Hay problemas de sincronización

Puede haber borrado la conexión de sincronización del teléfono móvil – siga las instrucciones de sincronización de la sección 3.

No puedo usar Rechazar llamada, Llamada en espera, Volver a marcar, Marcación por voz

Estas funciones dependen de que el teléfono móvil sea compatible con el perfil manos libres de Bluetooth. Consulte el manual de su teléfono para más información

No puedo escuchar música por el auricular

Suba el volumen de su reproductor de música.

Asegúrese de que los auriculares están conectados correctamente al BT325s

Asegúrese de que los BT325s están conectados al puerto de 3,5 mm en el reproductor de música

Asegúrese de que el BT325s esté cargado (no es necesario encenderlo, pero debería estar cargado)

Si el BT325s se ha quedado sin batería y no puede cargarlo, puede conectar los auriculares directamente al reproductor de música.

No puedo controlar el volumen de la música con el ajuste de volumen de BT325s

El ajuste de volumen y el botón responder/fin permiten controlar las llamadas de teléfono.

Quiero que la música pare cuando recibo una llamada

La música seguirá sonando cuando reciba una llamada telefónica. Si quiere que se detenga, pulse el botón pausa/stop en su reproductor de música.

10 ¿Necesita más ayuda?

Jabra dispone de una asistencia en línea para clientes en la página Web www.jabra.com o puede consultar la contraportada para obtener información de asistencia específica para su país.

11 Cuidado del auricular

- Guarde siempre el Jabra BT325s apagado y bien protegido.
- Evite guardarlo con temperaturas extremas (más de 45 °C/113 °F – o bajo la luz solar directa – o menos de -10 °C/14 °F). Podría reducir la duración de la batería y afectar al funcionamiento. Las temperaturas elevadas también pueden reducir las prestaciones.
- Si el dispositivo se moja con agua u otros líquidos, elimine cualquier resto de humedad.

12 Garantía

Jabra (GN Netcom) garantiza este producto respecto a cualquier defecto de materiales y mano de obra por un periodo de dos años a partir de la fecha de la compra original. Las condiciones de esta garantía y nuestras responsabilidades bajo esta garantía se detallan a continuación:

- La garantía está limitada al comprador original
- Se requiere una copia de la factura u otra prueba de compra
- La garantía será nula si se retira el número de serie, la etiqueta con código de fecha o la etiqueta del producto, o si el producto ha sido sometido a abuso físico, o a instalación, modificación o reparación incorrecta por terceros no autorizados
- La responsabilidad de Jabra (GN Netcom) queda limitada a la reparación o sustitución del producto a su sola discreción
- Cualquier garantía implícita sobre los productos de Jabra (GN Netcom) está limitada al periodo de dos años a partir de la fecha de la compra respecto a todas las piezas, incluyendo cualesquiera cables y conectores
- Se excluyen específicamente de cualquier garantía aquellos componentes consumibles de vida limitada sujetos al desgaste normal, tales como cortavientos de micrófonos, almohadillas de auriculares, acabados decorativos, pilas y otros accesorios
- Jabra (GN Netcom) no será responsable de cualquier daño incidental o consecutivo que surja del uso o mal uso de cualquier producto de Jabra (GN Netcom)
- Esta garantía le otorga a usted derechos legales específicos, y es posible que usted tenga otros derechos que varían de un lugar a otro
- A menos que se indique lo contrario en el Manual del usuario, el usuario no puede bajo circunstancia alguna intentar realizar tareas de mantenimiento, ajustes o reparaciones de esta unidad, esté dentro o fuera de garantía. Debe ser devuelta al punto de venta, a la fábrica o a una agencia de servicio autorizado para la realización de dichos trabajos
- Jabra (GN Netcom) no será responsable de pérdida o daño alguno que se produzca durante el transporte. Cualquier trabajo de reparación sobre los productos de Jabra (GN Netcom) por terceros no autorizados anula cualquier garantía

13 Certificación y aprobaciones de seguridad

CE

Este producto lleva la marca CE de acuerdo con las provisiones de la Directiva 1999/5/CE sobre RTTE.

Por el presente, GN Netcom declara que este producto cumple los requisitos esenciales y otras provisiones pertinentes de la Directiva 1999/5/CE.

Para más información por favor consulte <http://www.jabra.com>

Dentro de la UE, este dispositivo está destinado para su uso en Austria, Bélgica, Chipre, República Checa, Dinamarca, Estonia, Finlandia, Francia, Alemania, Grecia, Hungría, Irlanda, Italia, Letonia, Lituania, Luxemburgo, Malta, Polonia, Portugal, Eslovaquia, Eslovenia, España, Suecia, Países Bajos, Reino Unido y en los países de la AELC en Islandia, Noruega y Suiza.

Bluetooth

La marca literal y los logotipos *Bluetooth*® son propiedad de Bluetooth SIG, Inc, y cualquier uso de dichas marcas por GN Netcom se hace bajo licencia. Otras marcas y nombres comerciales son propiedad de sus respectivos titulares.

14 Glosario

- 1 **Bluetooth** es una tecnología de radio que conecta dispositivos, como teléfonos móviles y auriculares, sin cables a una distancia corta (aprox. 19 m /30 pies). Encontrará más información en www.bluetooth.com.
- 2 Los **perfiles Bluetooth** son las distintas formas que usan los dispositivos Bluetooth para comunicarse entre ellos. Los teléfonos móviles Bluetooth admiten el perfil de auriculares, el perfil de manos libres o ambos. Para admitir un perfil determinado, un fabricante de teléfonos debe aplicar determinadas características obligatorias en el software del teléfono.
- 3 El **emparejado** crea un enlace exclusivo y cifrado entre dos dispositivos Bluetooth y le permite comunicarse entre ellos. Los dispositivos Bluetooth no funcionan si no han sido emparejados.
- 4 La **clave de paso o el PIN** es un código que se introduce en el teléfono móvil para emparejarlo con el Jabra BT325s. De este modo el teléfono y el Jabra BT325s se reconocen entre ellos y funcionan conjuntamente de modo automático.
- 5 El **modo de espera** es cuando el Jabra BT325s espera pasivamente una llamada. Cuando usted "finaliza" una llamada en su teléfono móvil, el auricular pasa a modo de espera.



Este producto debe desecharse según los estándares y normativas locales.
www.jabra.com/weee

Dansk

Tak	74
KOM I GANG	77
1. Oplad dit Jabra BT325s	77
2. Tænd dit Jabra BT325s	77
3. Parring med en mobiltelefon	77
4. Brug af Jabra BT325s	78
5. Lyt til musik fra en separat musikafspiller	78
6. Sådan	79
7. Udskiftning af Jabra-hovedtelefonerne	80
8. Det betyder lysene	80
9. Fejlfinding og ofte stillede spørgsmål	80
10. Brug for mere hjælp?	81
11. Pleje og vedligeholdelse	81
12. Garanti	82
13. Registrering og sikkerhedsgodkendelse	83
14. Ordliste	83

Tak

Tak for købet af Jabra BT325s Bluetooth-headset. Vi håber, du er glad for det. Brugervejledningen vil hjælpe dig med at komme i gang og få det bedste ud af dit Jabra-headset.

! Husk, at kørslen kommer i første række, ikke opkaldet!

Brugen af en mobiltelefon under kørslen kan virke distraherende og øge risikoen for uheld. Kør ind til siden, og parker køretøjet, før du foretager eller besvarer et opkald, hvis kørselsforholdene kræver det (f.eks. dårligt vejr, tæt trafik, børn i bilen, svære kryds eller manøvrer). Sørg ligeledes for at gøre samtalen kort, og lad være med at tage noter eller læse dokumenter.

Brugen af dette headset, hvor begge ører dækkes under kørslen, er muligvis ikke tilladt i visse lande.

Husk! Kør forsigtigt, undgå forstyrrelser, og overhold de lokale love.

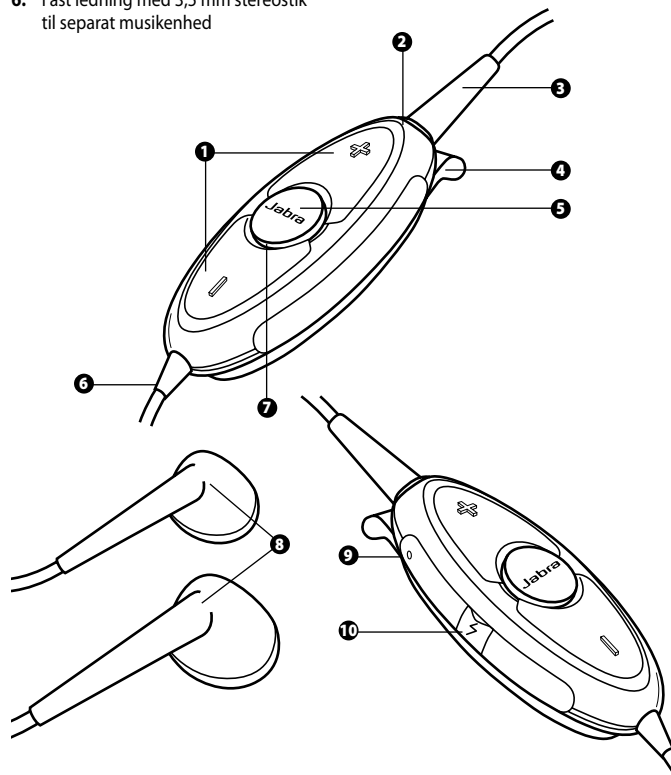
Beskyt din hørelse!

ADVARSEL! Hvis du bruger hovedtelefoner ved en høj lydstyrke, kan du risikere at ødelægge din hørelse. Hvis du har ringen for ørerne, skal du skrue ned eller holde op med at bruge hovedtelefonerne. Hvis du fortsat benytter hovedtelefonerne ved en høj lydstyrke, kan dine ører blive vant til lydniveauet, og din hørelse kan blive permanent beskadiget. Hold lydstyrken på et uskadeligt niveau. Hvis du bruger hovedtelefonerne, når du kører i bil, på motorcykel, på cykel eller styrer et fartøj, kan det være farligt og i visse lande ulovligt. Kontrollér de lokale love. Brug hovedtelefonerne med forsigtighed, når du deltager i en aktivitet, der kræver din fulde opmærksomhed. Hvis du deltager i en sådan aktivitet, kan du fjerne højttalerne fra øreområdet eller skrue ned for hovedtelefonerne, så du ikke distraheres, og på den måde undgå, at du kommer ud for et uheld eller kommer til skade.

Hvis du bruger andre hovedtelefoner end den medfølgende Jabra-model, kan de forskellige niveauer af impedans og følsomhed resultere i, at den maksimale lydstyrke reduceres eller øges. Du skal derfor altid være ekstra forsigtig, når du bruger andre hovedtelefoner end den originale Jabra-model.

Om Jabra BT325s

1. Lydstyrke op (+), lydstyrke ned (-)
2. Hovedtelefonstik
3. Hovedtelefonstik (udtageligt)
4. Tøjclips med halsrem
5. Besvar/afslut-knap
6. Fast ledning med 3,5 mm stereostik til separat musikenhed
7. Indikatorlys
8. Udskiftelige hovedtelefoner
9. Mikrofon
10. Opladerstik



Headset-funktioner

Med Jabra BT325s kan du lytte til musik fra en separat musikafspiller og samtidig være sikker på, at du ikke går glip af et opkald på din Bluetooth-kompatible mobiltelefon.

Med Jabra BT325s kan du foretage dig følgende, når det fungerer som Bluetooth-headset:

- Oprette paring med op til 8 enheder
- Besvare opkald
- Afslutte opkald
- Afvise opkald*
- Foretage stemmeopkald*
- Ringe til det sidst opkaldte nummer*
- Sætte et opkald i venteposition*
- Parkere et opkald*

* Afhænger af telefonen

Bemærk, at alle tasterne på Bluetooth-enheden er beregnet til at styre ovennævnte funktioner.

Specifikationer

- Op til 8 timers taletid og 240 timers standbytid
- Genopladeligt batteri med opladning fra stikkontakt
- Vejer mindre end 40 gram inkl. de originale Jabra-hovedtelefoner
- Rækkevidden er op til 10 meter
- Profilerne Håndfri (standard) og Headset Bluetooth
- Bluetooth-specifikation 1.2 (**se ordliste side 83**)
- IPx2 (BT325s kan holde til en smule regn)

Bemærk, at BT325s ikke er vandtæt og derfor ikke må holdes under vand. Hvis enheden bliver våd, skal alt vand tørres af, så den ikke tager skade.

KOM I GANG

Jabra BT325s er nemt at betjene. Alle knapper er beregnet på at styre dine opkald fra mobiltelefonen, og knapperne har forskellige funktioner, afhængigt af hvor lang tid du holder dem nede:

Instruktion:	Trykkets varighed:
Tryk let	Tryk let, og giv slip
Tryk	Tryk i ca. 1 sek.
Tryk på og hold nede	Tryk på og hold nede i ca. 5 sek.

1 Oplad dit Jabra BT325s

Lad dit Jabra BT325s helt op, før du tager det i brug. Brug kun de opladere, der følger med headsettet. Undgå at bruge opladere fra andre enheder, da det kan beskadige Jabra BT325s.

Tilslut Jabra BT325s, som vist i fig. 2, til stikkontakten for at oplade herfra. Når indikatoren lyser rødt, er headsettet i gang med at blive opladet. Når indikatoren lyser grønt, er headsettet fuldt opladet.

2 Tænd dit Jabra BT325s

- **Tryk på** besvar/afslut-knappen for at tænde for Jabra BT325s. LED-indikatorlyset blinker fire gange, når enheden er tændt.
- **Tryk på og hold** besvar/afslut-knappen nede for at slukke enheden.

Bemærk, at Jabra BT325s stadig kan afspille musik fra en separat musikafspiller, også selvom Jabra BT325s er slukket.

3 Parring med en mobiltelefon

Du skal oprette paring mellem Jabra BT325s og en mobiltelefon, før du kan bruge den.

1. **Sæt Jabra BT325s i parring-tilstand:**
 - **Sørg for, at headsettet er slukket.**
 - **Tryk på og hold** besvar/afslut-knappen nede, indtil indikatorlyset lyser blå.

2. Angiv din mobiltelefon til registrering af Jabra BT325s

Følg vejledningen til telefonen. Du skal typisk bruge en opsætnings-, tilslutnings- eller Bluetooth-menu på telefonen og vælge en indstilling til at 'registrere' eller 'tilføje' en Bluetooth-enhed. *(Se eksemplet fra en almindelig mobiltelefon i fig. 3).*

3. Telefonen finder Jabra BT325s

Du bliver spurgt, om du vil oprette parring med telefonen. Svar Ja eller OK, og bekræft med **adgangsnøglen eller PIN-koden = 0000 (4 nuller)**.

Telefonen bekræfter, når parringen er fuldført. Hvis parringen ikke lykkes, skal du gentage trin 1 til 3.

4 Brug af Jabra BT325s

Jabra BT325s er designet, så det er behageligt at have på med den integrerede tøjclips eller halsremmen (remmen medfølger ikke). Mikrofonen er placeret på enhedens øverste venstre side *(når BT325s ses som vist i figur 3. A)*. Det skal du være opmærksom på, når du placerer hovedenheden, for at opnå en tydelig opfangelse af din stemme. *(Se fig. 3. B)*.

5 Lyt til musik fra en separat musikafspiller

Du kan udnytte Jabra BT325s' potentiale til fulde, når du bruger det sammen med en separat musikafspiller. Det kunne f.eks. være en MP3-afspiller, et bærbart medicenter eller en anden ekstern musikenhed med et 3,5 mm standardstereostik.

Hvis du vil bruge Jabra BT325s sammen med en musikafspiller, skal du sætte 3,5-mm-stikket i musikafspilleren. Du kan nu lytte til din yndlingsmusik og samtidig være sikker på, at du ikke går glip af et opkald på din Bluetooth-kompatible mobiltelefon.

Bemærk, at alle tasterne på BT325s kun er beregnet til at styre mobiltelefonopkaldene. Kontrol af musik, f.eks. start/stop, spring nummer frem/tilbage, lydstyrke osv. foretages på musikenheden.

Jabra BT325s er kompatibel med de fleste separate musikafspillere.

6 Sådan ...

Lytter du til musik

Sæt den faste 3,5-mm-ledning i din separate musikenhed. Det er ikke nødvendigt at tænde Jabra BT325s for at lytte til musik.

Du kan også hive hovedtelefonerne ud og sætte dem direkte i musikenheden, så de fungerer som almindelige hovedtelefoner.

Besvarer du et opkald

Tryk let på besvar/afslut-knappen på din Jabra BT325s for at besvare et opkald, når telefonen ringer. Musikken fader ud, når der kommer et indgående opkald.

Afslutter du et opkald

Tryk let på besvar/afslut-knappen for at afslutte et aktivt opkald. Musikken fortsætter automatisk efter opkaldet.

Afviser du et opkald*

Tryk på besvar/afslut-knappen, når telefonen ringer, for at afvise et indgående opkald. Den, der ringer til dig, vil, afhængigt af telefonens indstillinger, blive viderestillet til telefonsvareren eller høre en optaget-tone.

Foretager du et opkald*

Når du foretager et opkald fra mobiltelefonen, fader musikken ud, og opkaldet (afhængigt af telefonens indstillinger) overføres automatisk til Jabra BT325s'en, når den er tilsluttet.

Aktiverer du stemmeopkald*

Tryk let på besvar/afslut-knappen, og sig navnet. Optag stemmekoden, mens du bærer Jabra BT325s, for at få det bedste resultat. Du kan få flere oplysninger om denne funktion i brugervejledningen til telefonen.

Ringer du til det sidst opkaldte nummer*

Tryk på besvar/afslut-knappen.

Sætter du et opkald i venteposition eller parkerer du et opkald*

Disse funktioner gør det muligt at parkere en samtale og besvare et indgående opkald.

- **Tryk** på besvar/afslut-knappen én gang for at parkere det aktive opkald og besvare det indgående.
- **Tryk** på besvar/afslut-knappen for at skifte mellem de to opkald.
- **Tryk let** på besvar/afslut-knappen for at afslutte den aktive samtale.

Justerer du lyd og lydstyrke

Tryk på lydstyrke op eller ned (+ eller -) for at justere lydstyrken. *(Se fig. 1).*

*Afhænger af telefonen

7 Udskiftning af Jabra-hovedtelefonerne

Hvis du vil udskifte de medfølgende Jabra-hovedtelefoner med dine yndlingshovedtelefoner, skal du bare sætte hovedtelefonstikket i stikket på Jabra BT325s.

Hvis du bruger andre hovedtelefoner end den medfølgende Jabra-model, kan de forskellige niveauer af impedans og følsomhed resultere i, at den maksimale lydstyrke reduceres eller øges. Et impedansniveau på 16 ohm anbefales for at opnå den bedste ydeevne. Du skal dog altid være ekstra forsigtig, når du bruger andre hovedtelefoner end den originale Jabra-model.

8 Det betyder lysene

Det ser du	Det betyder det for headsettet
Blinkende blåt lys	Blinker hvert sekund: klar til et opkald
Blinkende blåt lys	Blinker hvert tredje sekund: standby-tilstand
Blinkende rødt lys	Lavt batteriniveau
Permanent rødt lys	Oplader
Permanent grønt lys	Fuldt opladet
Permanent blåt lys	I parringtilstand (se afsnit 3)

9 Fejlfinding og ofte stillede spørgsmål

Jeg kan høre en knitrende lyd

Bluetooth er en radioteknologi, hvorfor den er let påvirkelig af genstande mellem headsettet og den enhed, der er oprettet forbindelse til. Det er muligt at have en afstand på ca. 10 meter mellem headsettet og den tilsluttede enhed, hvis der ikke er nogen større genstande i vejen (vægge osv.).

Jeg kan ikke høre telefonopkaldet i headsettet

Skru op for volumen på BT325. Tjek, at headsettet er parret med din telefon. Kontroller, at telefonen er tilsluttet headsettet i telefonens menu eller ved at trykke let på besvar/afslut-knappen på BT325.

Jeg har problemer med parringen

Du kan have slettet parring-forbindelsen i mobiltelefonen – følg vejledningen om parring i afsnit 3.

Jeg kan ikke bruge Afvis opkald, Parker opkald, Genopkald eller Stemmeopkald

Disse funktioner afhænger af, om telefonen understøtter den håndfri profil via Bluetooth. Du kan få flere oplysninger i betjeningsvejledningen til telefonen.

Jeg kan ikke høre musik i headsettet

Skru op for volumen på din musikenhed. Tjek, at hovedtelefonerne er forbundet korrekt til BT325. Kontroller, at BT325 er forbundet til 3,5 mm-porten på musikenheden. Sørg for, at BT325 er opladet (det behøver ikke at være tændt, men skal være opladet). Hvis batterierne på BT325 er flade, og du ikke kan oplade dem, kan du forbinde hovedtelefonerne direkte med musikenheden.

Jeg kan ikke justere lydstyrken på BT325 med volumenknappen

Volumenknappen og besvar/afslut-knappen er kun til at styre telefonopkald med.

Jeg ønsker, at musikken holder pause, når jeg modtager opkald

Musikken vil fortsætte med at spille, når du modtager et opkald. Hvis du ønsker, at musikken holder pause, skal du trykke på pause/stop-knappen på din musikenhed.

10 Brug for mere hjælp?

Jabra tilbyder online-kundesupport på adressen www.jabra.com, eller du kan også se indersiden af coveret for at få supportoplysninger for dit land.

11 Pleje og vedligeholdelse

- Opbevar altid Jabra BT325s-headsettet et sikkert sted, og sluk altid for headsettet, hvis du ikke skal bruge det i længere tid.
- Beskyt headsettet mod direkte sollys og ekstreme temperaturer (over 45° C og under -10° C), da dette kan reducere batteriets levetid og medføre funktionssvigt. Høje temperaturer kan desuden hæmme ydeevnen.
- Hvis enheden udsættes for vand eller anden væske, skal vandet eller væsken tørres af enheden.

12 Garanti

Jabra (GN Netcom) yder garanti på dette produkt for alle defekter vedrørende materialer og kvalitet i en periode på to år fra den oprindelige købsdato. Vilkårene i den foreliggende garanti og vores ansvar i henhold til denne garanti er som følger:

- Garantien er begrænset til den oprindelige køber
- En kopi af kvitteringen eller anden dokumentation på køb kræves.
- Garantien er ugyldig, hvis serienummeret, datokodeetiketten eller produktetiketten fjernes, eller hvis produktet er blevet udsat for hårdhændet eller uforvarlig behandling, forkert installation, modifikation eller reparation af en uautoriseret tredjepart
- Ansvar i forbindelse med Jabra-produkter (GN Netcom) er begrænset til reparation eller erstatning af produktet efter producentens skøn
- Enhver stiltiende garanti på Jabra-produkter (GN Netcom) er begrænset til to år fra købsdatoen på alle dele, herunder ledninger og stik
- Specifikke dele, som ikke er omfattet af garantien, er forbrugskomponenter med begrænset levetid, der er udsat for normal slitage, f.eks. vindskærm til mikrofonen, ørepuder, dekorativ finish, batterier og andet tilbehør
- Jabra (GN Netcom) er ikke ansvarlig for tilfældige skader eller følgeskader, der måtte opstå som følge af brug eller misbrug af et Jabra-produkt (GN Netcom)
- Denne garanti giver dig specifikke rettigheder, og du kan have andre rettigheder, der varierer fra område til område
- Brugeren må under ingen omstændigheder forsøge at udføre service, justeringer eller reparationer af denne enhed, uanset om det ligger inden for garantien eller ej, medmindre det er angivet i denne brugervejledning. Produktet skal returneres til købsstedet, fabrikken eller et autoriseret servicecenter for at få udført alt sådant arbejde
- Jabra (GN Netcom) påtager sig intet ansvar for tab eller skader, der opstår under forsendelsen. Alt reparationsarbejde på Jabra-produkter (GN Netcom) udført af uautoriserede tredjeparter gør garantien ugyldig

13 Registrering og sikkerhedsgodkendelse

CE

Dette produkt er CE-mærket i overensstemmelse med bestemmelserne i R & TTE-direktivet (1999/5/EF).

GN Netcom erklærer herved, at dette produkt overholder de væsentlige krav og andre relevante bestemmelser i direktivet 1999/5/EF.

Yderligere oplysninger findes på adressen <http://www.jabra.com>

Denne enhed er inden for EU beregnet til brug i Østrig, Belgien, Cypern, Tjekkiet, Danmark, Estland, Finland, Frankrig, Tyskland, Grækenland, Ungarn, Irland, Italien, Letland, Litauen, Luxembourg, Malta, Polen, Portugal, Slovakiet, Slovenien, Spanien, Sverige, Holland, Storbritannien, og inden for EFTA på Island, i Norge samt i Schweiz.

Bluetooth

Bluetooth®-varemærket og -logoer tilhører Bluetooth SIG, Inc., og enhver brug af sådanne varemærker af GN Netcom foregår under licens. Andre varemærker og varebetegnelser tilhører deres respektive ejere.

14 Ordliste

- 1 **Bluetooth:** en radioteknologi, der sikrer, at enheder såsom mobiltelefoner og headset kan tilsluttes på kort afstand uden brug af ledninger eller kabler (cirka 10 meter). Læs mere på www.bluetooth.com.
- 2 **Bluetooth-profiler:** forskellige måder, hvorpå Bluetooth-enheder kan kommunikere med hinanden. Telefoner, der understøtter Bluetooth, er enten baseret på en headset-profil, en håndfri profil eller begge. Før en enhed kan understøtte en bestemt profil, skal producenten af telefonen implementere forskellige obligatoriske funktioner i den software, der leveres med telefonen.
- 3 **Parring:** metode, der bruges til at oprette en unik eller krypteret forbindelse mellem to Bluetooth-enheder, så de kan kommunikere med hinanden. Bluetooth-enheder fungerer kun, hvis de er blevet parret.
- 4 **Adgangsnøgle eller PIN-kode:** en kode, der skal indtastes i en mobiltelefon, før den kan parres med en Jabra BT325s-adapter. Koden sikrer, at telefonen og Jabra BT325s-adapteren genkender hinanden og automatisk samarbejder.
- 5 **Standby-tilstand:** den tilstand, hvor Jabra BT325s-headsettet passivt venter på et opkald. Når du 'afslutter' en samtale på mobiltelefonen, går headsettet automatisk i standby-tilstand.



Bortskaf produktet i overensstemmelse med lokale bestemmelser og love. www.jabra.com/weee

Suomi

Kiitos.....	86
ALOITTAMINEN	89
1. Jabra BT325s:n lataaminen	89
2. Jabra BT325s:n käynnistäminen	89
3. Laiteparin muodostaminen matkapuhelimen kanssa	89
4. Jabra BT325s -kuulokkeiden käyttäminen	90
5. Musiikin kuunteleminen erillisestä soittimesta	90
6. Toimintaohjeet	90
7. Jabra-korvakuulokkeiden vaihtaminen	92
8. Merkkivalojen merkitys	92
9. Ongelmanratkaisu ja usein kysytyt kysymykset	92
10. Tarvitsetko lisäapua?	93
11. Sankaluurien hoito	93
12. Takuu	94
13. Sertifiointi ja turvallisuushyväksynnät	95
14. Sanasto	95

Kiitos

Kiitos siitä, että ostit Jabra BT325s Bluetooth-kuulokkeet. Toivottavasti nautit niiden käyttämisestä. Tässä käyttöoppaassa kerrotaan käytön aloittamisesta ja stereokuulokkeiden hyödyntämisestä täysimääräisesti.

! Muista, että ajaminen on aina puhelua tärkeämpää!

Matkapuhelimen käyttö häiritsee ajajan keskittymistä, mikä voi lisätä onnettomuusvaaraa. Pysäköi tien sivuun ennen soittamista tai puheluun vastaamista, jos ajo-olosuhteet ovat vaikeat (esimerkiksi sää on huono, tiellä on ruuhkaa, autossa on lapsia tai tie on huonokuntoinen). Yritä pitää puhelut lyhyinä. Älä myöskään tee tai lue muistiinpanoja tai vastaavia.

Näiden molemmat korvat peittävien kuulokkeiden käyttäminen ajettaessa ei ehkä ole sallittua kaikissa maissa.

Muista: Aja aina turvallisesti, vältä keskittymiskyvyn herpaantumista ja noudata paikallista lainsäädäntöä.

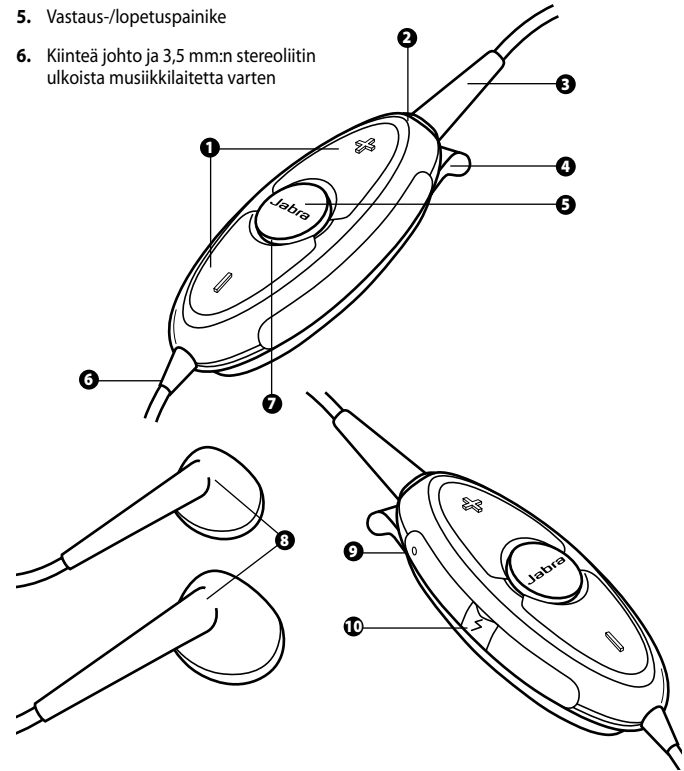
Suojaa kuuloasi!

VAROITUS: Kuulokkeiden suuri äänenvoimakkuus saattaa aiheuttaa pysyvän kuulovaurion. Jos korvasi alkavat soida, vähennä äänenvoimakkuutta tai keskeytä kuulokkeiden käyttäminen. Jos jatkat kuuntelemista suurella äänenvoimakkuudella, korvasi voivat tottua äänenvoimakkuuteen, jolloin kuulosi voi vahingoittua pysyvästi. Pidä äänenvoimakkuus turvallisella tasolla. Kuulokkeiden käyttäminen ajaessasi moottoriajoneuvoa, moottoripyörää, vesikulkuneuvoa tai polkupyörää voi olla vaarallista. Joissakin maissa se on laitonta. Tutustu paikalliseen lainsäädäntöön. Ole varovainen käyttäessäsi kuulokkeita, jos toiminto edellyttää keskittymistä. Poista kuulokkeet tällaisten toimintojen ajaksi korviltasi tai katkaise niistä virta keskittymiskyvyn varmistamiseksi sekä onnettomuuksien ja loukkaantumisten välttämiseksi.

Jos käytät muita kuin mukana toimitettuja Jabra-korvakuulokkeita, huomaa, että impedanssi- ja herkkyyserot voivat vähentää tai lisätä suurinta äänenvoimakkuutta. Noudata siksi aina erittäin suurta varovaisuutta käyttäessäsi muita kuin alkuperäisiä Jabra-kuulokkeita.

Tietoja Jabra BT325s -kuulokkeista

1. Äänenvoimakkuuden lisääminen (+), äänenvoimakkuuden vähentäminen (-)
2. Kuulokeliitäntä
3. Kuulokkeiden liitin (irrotettava)
4. Vaatekiinnike ja johtolenkki
5. Vastaus-/lopetuspainike
6. Kiinteä johto ja 3,5 mm:n stereoliitin ulkoista musiikkilaitetta varten
7. Merkkivalo
8. Vaihdekorvakuulokkeet
9. Mikrofoni
10. Latausliitäntä



Uusien Jabra-kuulokkeiden ominaisuudet

Jabra BT325s -kuulokkeiden avulla voit kuunnella mielimusiikkiasi erillisestä musiikkisoittimesta ilman, että Bluetooth-matkapuhelimeen saapuvat puhelut jäävät vastaamatta.

Jabra BT325s -kuulokkeissa on seuraavat ominaisuudet, kun ne toimivat Bluetooth-kuulokkeina:

- Laiteparin muodostaminen jopa 8 laitteen kanssa
- Puheluihin vastaaminen
- Puheluiden lopettaminen
- Puheluiden hylkääminen*
- Äänikomentojen käyttäminen valittaessa numeroa*
- Viimeisen numeron uudelleenalinta*
- Koputus*
- Puhelun asettaminen pitoon*

*Määräytyy puhelinmallin mukaan

Huomaa, että näitä toimintoja ohjataan varsinaisen Bluetooth-laitteen painikkeiden avulla.

Tekniset tiedot:

- Jopa 8 tuntia puheaikaa ja 240 tuntia valmiusaikaa
- Muuntajan avulla ladattava akku
- Painoa alle 40 grammaa käytettäessä alkuperäisiä Jabra-korvakuulokkeita
- Kantomatka noin 10 metriä
- Handsfree- (oletus) ja Bluetooth-kuulokeprofiilit
- Bluetooth-version 1.2 ominaisuudet (**katsotaan sanasto, sivu 95**)
- IPX2 (BT325s kestää lyhyen sadekuuron)

Huomaa, että BT325s kestää lyhyen sadekuuron, mutta se ei ole vesitiivis. Sitä ei saa upottaa veteen. Jos laite kastuu, kuivaa se mahdollisen vaurioitumisen välttämiseksi.

ALOITTAMINEN

Jabra BT325s -kuuloketta on helppo käyttää. Painikkeiden avulla ohjataan matkapuhelimella soitettavia puheluita. Painikkeet toimivat eri tavalla sen mukaan, kuinka pitkään niitä painetaan.

Ohje:	Painamisen kesto:
Napsautus	Paina lyhyesti ja vapauta painike
Painaminen	Paina noin 1 sek
Pitäminen painettuna	Pidä painettuna alas noin 5 sek.

1 Jabra BT325s:n lataaminen

Lataa Jabra BT325s -kuulokkeet täyteen ennen niiden ottamista käyttöön. Käytä vain laitteen mukana toimitettua latauslaitetta. Älä käytä muita latauslaitteita. Muutoin Jabra BT325s voi vaurioitua.

Kytke Jabra BT325s-kuulokkeet kuvassa 2 esitetyllä tavalla muuntajan avulla pistorasiaan. Kun merkkivalot palavat tasaisesti punaisena, kuulokkeesi latautuvat. Kun merkkivalo muuttuu vihreäksi, kuulokkeet ovat täysin latautuneet.

2 Jabra BT325s:n käynnistäminen

- Kytke Jabra BT325s-kuulokkeisiin virta **painamalla** vastaus-/lopetuspainiketta. Kun virta kytkeytyy, LED-merkkivalo vilkkuu neljä kertaa.
- Voit sammuttaa kuulokkeista virran pitämällä vastaus-/lopetuspainikkeen **painettuna**.

Huomaa, että Jabra BT325s-kuulokkeet voivat toistaa erillisestä musiikkisoittimesta peräisin olevaa musiikkia, vaikka kuulokkeista on sammutettu virta.

3 Laiteparin muodostaminen matkapuhelimen kanssa

Ennen kuin käytät Jabra BT325s -kuulokkeita ensimmäistä kertaa yhdessä matkapuhelimen kanssa, on muodostettava laitepari.

1. **Jabra BT325s-kuulokkeiden asettaminen laiteparinmuodostustilaan:**
 - Varmista, että kuulokkeista on kytketty virta pois päältä.
 - **Pidä Virhe. Tiedostonimeä ei ole määritetty.** vastaus-/lopetuspainiketta **painettuna**, kunnes merkkivalo palaa tasaisesti sinisenä.

2. Aseta matkapuhelin löytämään Jabra BT325s

Noudata puhelimen käyttöoppaan ohjeita. Yleensä ensin siirrytään puhelimen asetus-, yhteys- tai Bluetooth-valikkoon, josta valitaan toiminto, jolla löydetään tai lisätään Bluetooth-laite. **(Kuvassa 3 on esimerkki tavallisesta matkapuhelimesta.)**

3. Puhelin löytää Jabra BT325s-kuulokkeen

Puhelin kysyy, haluatko muodostaa laiteparin. Vastaa myöntävästi ja vahvista antamalla **salasana tai PIN-koodi = 0000 (4 nollaa)**.

Puhelin antaa vahvistuksen, kun laitepari on muodostettu. Jos laiteparin muodostaminen epäonnistuu, toista vaiheet 1–3.

4 Jabra BT325s -kuulokkeiden käyttäminen

Jabra BT325s on suunniteltu käytettäväksi mukavasti vaatekiinnikkeen tai johtolenkin avulla (johtolenkki ei sisälly toimitukseen). Mikrofoni sijaitsee laitteen vasemmassa kyljessä **(katsottaessa BT325s-kuulokkeita kuvassa 3. A näkyvällä tavalla)**. Ota tämä huomioon asettaessasi laitetta paikoilleen, jotta äänesi kuuluu hyvin. **(Lisätietoja on kuvassa 3. B.)**

5 Musiikin kuunteleminen erillisestä soittimesta

Voit hyödyntää Jabra BT325s -kuulokkeita täysimääräisesti yhdessä erillisen musiikkisoittimen kanssa. Se voi olla MP3-soitin, kannettava medialaite tai mikä tahansa ulkoinen musiikkilaite, jossa on tavallinen 3,5 mm:n stereoliitäntä.

Voit käyttää Jabra BT325s -kuulokkeita yhdessä musiikkisoittimen kanssa yhdistämällä 3,5 mm:n liittimen musiikkisoittimen kuulokeliitäntään. Nyt voit kuunnella mielimusiikkiasi ilman, että Bluetooth-matkapuhelimeen saapuvat puhelut jäävät vastaamatta.

Huomaa, että kaikki BT325s -kuulokkeiden säätimet on tarkoitettu puheluiden ohjaamiseen. Musiikin toistoa, kuten käynnistämistä ja pysäyttämistä, eteen- tai taaksepäin siirtymistä ja äänenvoimakkuutta, ohjataan musiikkilaitteen avulla.

Jabra BT325s on yhteensopiva useimpien erillisten musiikkisoittimien kanssa.

6 Toimintaohjeet

Musiikin kuunteleminen

Työnnä 3,5 mm:n liitin erilliseen musiikkisoittimeen. BT325s-kuulokkeisiin ei tarvitse kytkeä virtaa kuunneltaessa musiikkia.

Voit myös irrottaa korvakuulokkeet ja yhdistää ne suoraan musiikkisoittimeen tavallisten kuulokkeiden tavoin.

Puheluun vastaaminen

Voit vastata puheluun **napsauttamalla** Jabra BT325s-kuulokkeiden vastaus-/lopetuspainiketta. Kun puheluun vastataan, musiikki vaimentuu automaattisesti.

Puhelun lopettaminen

Voit lopettaa käynnissä olevan puhelun **napsauttamalla** kuulokkeen vastaus-/lopetuspainiketta. Musiikki jatkuu automaattisesti puhelun päätyttyä.

Puhelun hylkääminen*

Voit hylätä tulevan puhelun **painamalla** puhelimen soidessa vastaus-/lopetuspainiketta. Puhelimesi asetusten mukaisesti puhelu siirtyy puhelinvastaaajaasi tai soittaja kuulee varattu-äänen.

Puhelun soittaminen*

Kun soitat puheluun matkapuhelimesta, musiikki vaimenee ja puhelu siirtyy (jos näin on määritetty puhelimen asetuksissa) automaattisesti Jabra BT325s-kuulokkeisiin, kun puheluun vastataan.

Numeron valitseminen äänikomennon avulla

Napsauta vastaus-/lopetuspainiketta ja lausu nimi. Parhaan tuloksen saat tallentamalla äänikomennot Jabra BT325s-kuulokkeiden kautta. Lisätietoja tämän toiminnon käyttämisestä saat puhelimesi käyttöoppaasta.

Viimeisen numeron uudelleenalinta*

Paina vastaus-/lopetuspainiketta.

Viimeisen numeron uudelleenalinta*

Paina vastaus-/lopetuspainiketta. **Koputus ja puhelun asettaminen pitoon*** Tämän toiminnon avulla voit asettaa käynnissä olevan puhelun pitoon ja vastata tulevaan puheluun.

- Voit asettaa meneillään olevan puhelun pitoon ja vastata tulevaan puheluun **painamalla** vastaus-/lopetuspainiketta kerran.
- Voit vaihdella puheluiden välillä **painamalla** vastaus-/lopetuspainiketta.
- Voit lopettaa meneillään olevan puhelun **napsauttamalla** vastaus-/lopetuspainiketta.

Ääniasetukset ja äänenvoimakkuuden säätäminen

Voit säätää äänenvoimakkuutta **painamalla** äänenvoimakkuuden säätöpainiketta ylös- tai alaspäin (+ tai -). **(Lisätietoja on kuvassa 1.)**

*Määräytyy puhelinmallin mukaan

7 Jabra-korvakuulokkeiden vaihtaminen

Voit käyttää omia suosikkikuulokkeitasi mukana toimitettujen Jabra-korvakuulokkeiden sijasta kiinnittämällä ne Jabra BT325s -korvakuulokkeiden korvakuulokeliitäntöihin.

Jos käytät muita kuin mukana toimitettuja Jabra-korvakuulokkeita, huomaa, että impedanssi- ja herkkyyserot voivat vähentää tai lisätä suurinta äänenvoimakkuutta. On suositeltavaa käyttää 16 ohmin impedanssia parhaan suorituskyvyn varmistamiseksi. Noudata siksi aina erittäin suurta varovaisuutta käyttäessäsi muita kuin alkuperäisiä Jabra-korvakuulokkeita.

8 Merkkivalojen merkitys

Vilkkuva sininen valo	Vilkkuu joka sekunti: aktiivinen puhelun aikana
Vilkkuva punainen valo	Vilkkuu kolmen sekunnin välein: valmistilassa
Vilkkuva punainen valo	Akun varaustila on alhainen
Tasaisesti palava punainen valo	Lataa
Tasaisesti palava vihreä valo	Täysin ladattu
Tasaisesti palava sininen valo	Laiteparitilassa – katso osio 3

9 Ongelmanratkaisu ja usein kysytyt kysymykset

Kuulokkeista kuuluu ritiseviä ääniä

Bluetooth-tekniikassa käytetään radioaaltoja, joten kuulokkeiden ja siihen yhdistetyn laitteen väliset esteet vaikuttavat äänenlaatuun. Kuulokkeiden ja siihen yhdistetyn laitteen välimatka voi olla 10 metriä, jos välissä ei ole haittaavia esteitä, kuten seinää.

Puhelu ei kuulu kuulokkeesta

Lisää BT325s-kuulokkeen äänenvoimakkuutta. Varmista, että kuulokkeesta ja puhelimesta on muodostettu laitepari. Varmista, että puhelin on yhdistetty kuulokkeeseen. Tarkista asia puhelimen valikosta tai painamalla BT325s-kuulokkeen vastaus-/lopetuspainiketta.

Laiteparia muodostettaessa esiintyy ongelmia

Olet saattanut poistaa laitepariyhteyden matkapuhelimestasi. Tee kohdassa 3 kuvatut parinmuodostamistoimet.

Puheluita ei voi hylätä, asettaa pitoon, soittaa äänikomentojen avulla tai valita uudelleen

Puhelimen on tuettava Bluetoothin handsfree-profiilia. Lisätietoja on puhelimen käyttöoppaassa.

Kuulokkeista ei kuulu musiikkia

Lisää musiikkilaitteen äänenvoimakkuutta. Varmista, että kuulokkeet on yhdistetty oikein BT325-kuulokkeeseen. Varmista, että BT325s on yhdistetty oikein musiikkilaitteen 3,5 mm:n liitäntään. Varmista, että BT325s on ladattu. Siihen ei tarvitse kytkeä virtaa, mutta se on ladattava. Jos BT325s-kuulokkeen akku on tyhjentynyt etkä voi ladata sitä, voit yhdistää kuulokkeen suoraan musiikkilaitteeseen.

Musiikin äänenvoimakkuutta ei voi säätää BT325s-kuulokkeen äänenvoimakkuuden säätimen avulla

Äänenvoimakkuuden säätimen ja vastaus-/lopetuspainikkeen avulla ohjataan vain puhelinta.

Haluan musiikin toiston taukoavan puhelun ajaksi

Musiikin toisto jatkuu, kun puhelu on meneillään. Jos haluat musiikin taukoavan, käytä musiikkilaitteen tauko-/pysäytyspainiketta.

10 Tarvitsetko lisäapua?

Jabran asiakastukisivusto on osoitteessa www.jabra.com. Maassasi tarjottavasta tuesta on lisätietoja tämän julkaisun sisäkkännessä.

11 Sankaluurien hoito

- Säilytä Jabra BT325s aina virta pois kytkettynä ja hyvin suojattuna.
- Vältä säilyttämistä ääriämpötiloissa (yli 45 °C tai alle -10 °C). Älä myöskään säilytä suorassa auringonvalossa. Tämä voi lyhentää akun käyttöikää ja haitata toimintaa. Myös suuret lämpötilat voivat haitata toimintaa.
- Jos laite kastuu, kuivaa se.

12 Takuu

Jabra (GN Netcom) antaa tälle tuotteelle kahden vuoden materiaali- ja valmistusvirhetakuun alkuperäisestä ostopäivästä lukien. Takuun ehdot ja valmistajan vastuut takuuseen liittyen ovat seuraavat:

- Takuu koskee vain alkuperäistä ostajaa
- Takuu edellyttää kopiota ostokuitista tai muuta ostotodistusta.
- Takuu raukeaa, jos tuotteen sarjanumero, päivämäärämerkintä tai tuotemerkintä on poistettu tai jos valtuuttamaton, ulkopuolinen henkilö on käsitellyt tuotetta väärin, asentanut sen väärin, muunnellut tai korjannut sitä
- Jabra (GN Netcom) -tuotteiden takuuvastuu rajoittuu tuotteen korjaamiseen tai vaihtamiseen yrityksen oman harkinnan mukaan
- Jabra (GN Netcom) -tuotteita mahdollisesti koskeva oletettu takuu rajoittuu kaikkien osien, myös johtojen ja liitinten, osalta kahteen vuoteen ostopäivästä lukien
- Mitkään takuut eivät koske normaalille kulumiselle alttiita kulutusosia, kuten mikrofonin tuulisuojuksia, korvatyynyjä, pintakoristeluja, akkuja ja muita lisävarusteita
- Jabra (GN Netcom) ei ole vastuussa mistään satunnaisista tai välillisistä vahingoista, jotka aiheutuvat Jabra (GN Netcom) -tuotteiden asianmukaisesta tai virheellisestä käytöstä
- Tämä takuu antaa käyttäjälle tietyt oikeudet, ja käyttäjällä saattaa olla muitakin oikeuksia asuinpaikasta riippuen.
- Ellei käyttöoppaassa muuta mainita, käyttäjä ei missään tilanteessa saa yrittää huoltaa, säätää tai korjata tätä laitetta, ovatpa huoltokohteet takuunalaisia tai eivät. Kaikkia tällaisia toimenpiteitä varten tuote on toimitettava ostopaikkaan, tehtaalte tai valtuutettuun huoltopisteeseen
- Jabra (GN Netcom) ei ole vastuussa mistään kuljetuksen aikana tapahtuvista menetyksistä tai vahingoista. Jabra (GN Netcom) -tuotteiden kaikki takuut raukeavat, jos tuotteita korjaa valtuuttamaton, ulkopuolinen henkilö

13 Sertifiointi ja turvallisuushyväksynät

CE

Tämä laite on CE-hyväksytty radio- ja telepätälaitedirektiivin R & TTE (1999/5/EY) määräysten mukaisesti.

GN Netcom vakuuttaa täten, että tuote on direktiivin 1999/5/EY olennaisten vaatimusten ja muiden asiaankuuluvien määräysten mukainen.

Lisätietoja osoitteesta <http://www.jabra.com>

Tämä laite on tarkoitettu käytettäväksi seuraavissa EU-maissa: Belgia, Espanja, Hollanti, Irlanti, Iso-Britannia, Italia, Itävalta, Kreikka, Kypros, Latvia, Liettua, Luxemburg, Malta, Portugali, Puola, Ranska, Ruotsi, Saksa, Slovakia, Slovenia, Suomi, Tanska, Tshekki, Unkari, Viro, ja Efta-maissa: Islanti, Norja ja Sveitsi.

Bluetooth

The *Bluetooth*[®]-sana, merkki ja logot ovat Bluetooth SIG, Inc:n omaisuutta, ja GN Netcom käyttää niitä erikoisluvalla. Muut tavaramerkit ja kaupanimet ovat omistajiensa omaisuutta.

14 Sanasto

- 1 **Bluetooth** on radiotekniikka, joka kytkee matkapuhelimien ja sankaluurien tapaiset laitteet langattomasti toisiinsa lyhyellä matkalla (noin 10 metriä). Lisätietoja on osoitteessa www.bluetooth.com.
- 2 **Bluetooth-profiilit** ovat eri tapoja, joiden avulla Bluetooth-laitteet siirtävät tietoja muiden laitteiden kanssa. Bluetooth-yhteensopivat puhelimet tukevat joko sankaluuriprofiilia, HF-profiilia tai kumpaakin. Tietyn profiilin tukemiseksi puhelimen valmistajan on toteutettava tiettyjä pakollisia ominaisuuksia puhelimen ohjelmistoon.
- 3 **Laiteparin** muodostus luo yksilöivän salatun linkin kahden Bluetooth-laitteen välille ja mahdollistaa niiden välisen tiedonsiirron. Bluetooth-laitteet eivät toimi, jos niiden välille ei ole muodostettu laiteparia.
- 4 **Salasana tai PIN** on koodi, joka annetaan matkapuhelimeen, jotta se voi muodostaa laiteparin Jabra BT325s:n kanssa. Näin puhelin ja Jabra BT325s tunnistavat toisensa ja toimivat automaattisesti yhdessä.
- 5 **Valmiustilassa** Jabra BT325s odottaa passiivisesti puhelua. Kun päätät puhelun matkapuhelimesta, sankaluurit menevät valmiustilaan.



Tuotetta koskevat määräykset noudattavat kunkin maan omia standardeja ja säännöksiä.
www.jabra.com/weee

Svenska

Tack.....	98
HJÄLP ATT KOMMA IGÅNG.....	101
1. Ladda Jabra BT325s.....	101
2. Slå på Jabra BT325s.....	101
3. Para ihop med en mobiltelefon.....	101
4. Använda Jabra BT325s.....	102
5. Lyssna på musik från fristående musikspelare.....	102
6. Gör så här för att.....	103
7. Byta ut Jabra-hörlurarna.....	104
8. Lampornas betydelse.....	104
9. Felsökning och vanliga frågor och svar.....	104
10. Behöver du mer hjälp?.....	105
11. Skötsel av headset.....	105
12. Garanti.....	106
13. Certifieringar och säkerhetsgodkännanden.....	107
14. Ordlista.....	107

Tack

Tack för att du valt Jabra BT325s Bluetooth-headset. Vi hoppas att du kommer att få stor glädje av det.

Med hjälp av användarhandboken kan du snabbt komma igång och börja använda Jabra-headsetet samt dra nytta av alla dess funktioner.

! Kom ihåg att i första hand koncentrera dig på bilkörningen, inte på samtalet!

När du använder mobiltelefonen under körningen kan det distrahera dig och öka risken för olyckor. Om körförhållandena så kräver (t ex dåligt väder, tät trafik, barn i bilen eller dåliga vägförhållanden), kör då in till sidan av vägen och parkera innan du ringer upp eller besvarar ett samtal. Försök att inte ringa för långa samtal och att inte göra anteckningar eller läsa dokument medan du kör.

Användning av det här headsetet med båda öronen täckta kan vara förbjudet i vissa länder.

Kom ihåg! Tänk på säkerheten, undvik störande moment och följ lokala trafikbestämmelser.

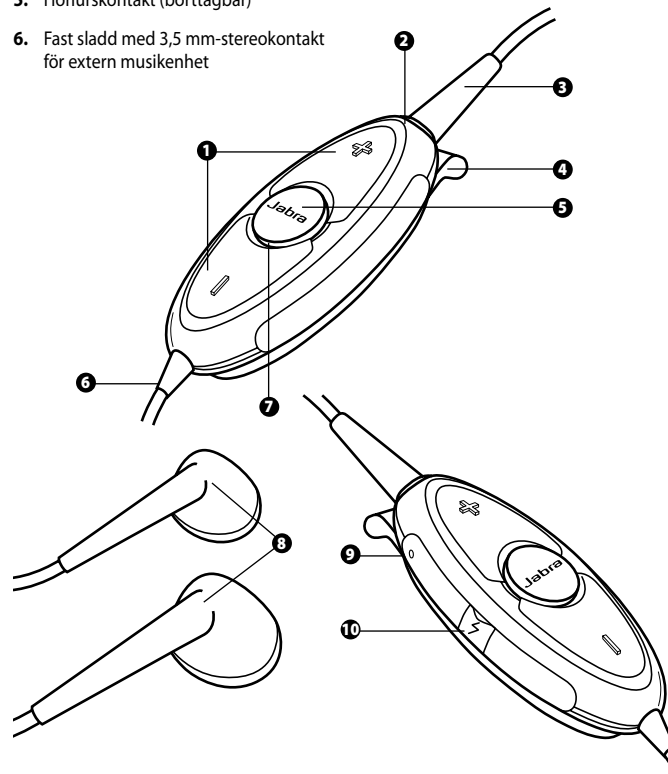
Var rädd om din hörsel!

WARNING: Att använda hörlurarna med hög volym kan leda till permanent hörselnedsättning. Om du börjar uppleva ringljud i öronen, sänk då volymen eller ta av hörlurarna. Om du fortsätter att ha hög ljudvolym, kan öronen vänja sig vid ljudstyrkan, vilket i sin tur kan leda till permanenta hörselskador. Ha alltid volymen på en säker nivå. Att använda hörlurar samtidigt som du kör bil, motorcykel, båt eller cyklar kan vara farligt, och är dessutom olagligt i vissa länder. Kontrollera den lokala lagstiftningen. Var försiktig när du använder hörlurar samtidigt som du ägnar dig åt någon aktivitet som kräver full koncentration. Vi rekommenderar att du, medan du ägnar dig åt någon sådan aktivitet, tar bort högtalarna från hörområdet eller stänger av hörlurarna så att du inte distraheras och undviker att drabbas av olyckshändelse eller skador.

Om du använder andra hörlurar än de medföljande Jabra-hörlurarna måste du vara observant på att skillnader i impedans och känslighet kan begränsa eller höja nivån för den maximala volymen. Var därför extra försiktig när du använder andra hörlurar än de medföljande Jabra-hörlurarna.

Om Jabra BT325s

- | | |
|--|-----------------------|
| 1. Volym upp (+), volym ned (-) | 7. Indikator |
| 2. Hörlursuttag | 8. Utbytbara hörlurar |
| 3. Hörlurskontakt (borttagbar) | 9. Mikrofön |
| 4. Klädklämma med ögla för snodd | 10. Laddningsuttag |
| 5. Hörlurskontakt (borttagbar) | |
| 6. Fast sladd med 3,5 mm-stereokontakt för extern musikenhet | |



Headsetets funktioner

Med Jabra BT325s kan du lyssna på din favoritmusik från en fristående musikspelare samtidigt som du kan vara säker på att du aldrig missar samtal från din Bluetooth-aktiverade mobiltelefon.

När du använder Jabra BT325s som Bluetooth-headset får du tillgång till följande funktioner:

- Parning med upp till 8 enheter
- Besvara samtal
- Avsluta samtal
- Avvisa samtal*
- Röstuppringning*
- Upprepa det senast slagna numret*
- Samtal väntar*
- Parkera samtal*

*** Telefonberoende funktion**

Observera att alla knapparna på Bluetooth-enheten är avsedda att styra ovanstående funktioner.

Specifikationer:

- Samtalstid upp till 8 timmar/standbytid upp till 240 timmar
- Uppladdningsbart batteri som kan laddas via nätadapter
- Väger mindre än 40 gram inkl. de ursprungliga Jabra-hörlurarna
- Räckvidd upp till cirka 10 meter
- Bluetooth-profiler för handsfree (standard) och headset
- Bluetooth-specifikation 1.2 (**se ordlista sid. 107**)
- IPx2 (BT325s tål en kortvarig regnskur)

Observera att BT325s klarar en kort regnskur men inte är vattentätt och inte får doppas i vatten eller annan vätska. Om headsetet blir vått måste du torka av det omsorgsfullt så att det blir helt torrt för att förhindra skador.

HJÄLP ATT KOMMA IGÅNG

Jabra BT325s är enkelt att använda. Alla knappar är avsedda att kontrollera mobiltelefonsamtal och knapparna har olika funktioner beroende på hur länge de trycks ned:

Instruktion:	Längd på nedtryckning:
Tryck lätt	Tryck lätt och släpp upp
Tryck	Tryck i ca. 1 sekund
Tryck på och håll kvar	Tryck och håll kvar i ca. 5 sekunder

1 Ladda Jabra BT325s

Innan du börjar använda Jabra BT325s måste det laddas upp helt. Använd endast laddare som medföljer i förpackningen och inte laddare från annan utrustning eftersom det kan skada Jabra BT325s.

Anslut Jabra BT325s till nätadaptern enligt bilden i fig. 2 för att ladda via ett nätuttag. När indikatorn lyser med fast rött sken laddas headsetet. När indikatorn lyser grönt är headsetet fulladdat.

2 Slå på Jabra BT325s

- **Tryck** på knappen svara/avsluta för att slå på Jabra BT325s. När det är på blinkar indikatorn fyra gånger.
- **Håll knappen** svara/avsluta nedtryckt för att stänga av det.

Observera att du inte behöver slå på Jabra BT325s för att kunna använda det tillsammans med en fristående musikspelare.

3 Para ihop med en mobiltelefon

Du måste para Jabra BT325s-headsetet innan du kan börja använda det tillsammans med din mobiltelefon.

1. **Ställ in Jabra BT325s för hopparring:**
 - Kontrollera att headsetet är avstängt.
 - **Håll knappen** svara/avsluta nedtryckt tills indikatorn lyser med fast blått sken.

2. Ställ in mobiltelefonen så att den kan "upptäcka" Jabra BT325s:

Följ instruktionerna i telefonens användarhandbok. Vanligtvis väljer du menyn "inställning", "anslutning" eller "Bluetooth" på telefonen och därefter alternativet för att upptäcka eller lägga till en Bluetooth-enhet. *(Se exempel från en vanlig mobiltelefon i fig. 3)*

3. Telefonen upptäcker Jabra BT325s:

Du får frågan om du vill para ihop telefonen och headsetet. Acceptera genom att trycka på "Ja" eller "OK" och bekräfta med lösenordet eller **PIN-koden = 0000 (4 nollor)**.

En bekräftelse visas när enheterna har parats ihop. Upprepa steg 1 till 3 om hoppningen inte lyckas.

4 Använda Jabra BT325s

Jabra BT325s är utformat för högsta möjliga användarkomfort, något som uppnås bland annat genom den inbyggda klädklämman och snoddöglan (snodd ingår ej). Mikrofonen är inbyggd längst upp på enhetens vänstra sida *(när BT325s betraktas som i fig. 3. A)*. Du bör beakta mikrofonens placering när du riktar in huvudenheten för att säkerställa en tydlig röstupptagning. *(Se fig. 3. B)*

5 Lyssna på musik från en fristående musikspelare

Jabra BT325s visar sin fulla potential vid användning tillsammans med en fristående musikspelare. Det kan vara en mp3-spelare, ett bärbart mediecenter eller någon annan extern musiksenhet som är utrustad med en 3,5 mm-stereoljudutgång av standardtyp.

För att använda Jabra BT325s med din musikspelare ansluter du bara 3,5 mm-kontakten till hörlursuttaget på din musikspelare. Du kan nu lyssna på dina favoritlåtar samtidigt som du kan vara säker på att du aldrig missar samtal till din Bluetooth-aktiverade mobiltelefon.

Observera att alla knapparna på BT325s är avsedda att styra dina mobsamtal. Om du vill ändra inställningarna för musikuppspelningen, som exempelvis att starta/stoppa, hoppa spår framåt/bakåt och ändra volym, måste du göra detta på musikspelaren.

Jabra BT325s är kompatibelt med de flesta fristående musikspelare.

6 Gör så här för att....**Lyssna på musik**

Koppla in den fasta 3,5 mm-kabeln i din fristående musikenhet. Jabra BT325s behöver inte slås på för att lyssna på musik.

Du kan även koppla ur hörlurarna och sätta i dem direkt i musikspelaren som vanliga hörlurar.

Besvara ett samtal

Tryck lätt på knappen svara/avsluta på Jabra BT325s för att besvara ett samtal när telefonen ringer. Musiken tonas ned automatiskt vid inkommande samtal.

Avsluta ett samtal

Tryck lätt på knappen svara/avsluta för att avsluta ett pågående samtal. Musiken fortsätter automatiskt efter samtalet.

Avvisa ett samtal*

Tryck på knappen svara/avsluta när telefonen ringer för att avvisa ett inkommande samtal. Den uppringande vidarebefordras till röstbrevlådan alternativt hör en upptagetton beroende på telefoninställningarna.

Ringa ett samtal*

När du ringer ett samtal från mobiltelefonen tonas musiken ned och samtalet överförs (beroende på telefonens inställningar) automatiskt till Jabra BT325s när det kopplas upp.

Aktivera röstuppringning*

Tryck lätt på knappen svara/avsluta och uttala namnet tydligt. Du får bäst resultat om du spelar in röstuppringningsfrasen när du har Jabra BT325s på dig. Du kan läsa mer om denna funktion i användarhandboken till telefonen.

Använda funktionen återuppringning*

Tryck på knappen svara/avsluta.

Använda funktionen samtal väntar och parkera samtal*

Använd denna funktion för att parkera ett pågående samtal och besvara ett inkommande.

- **Tryck** en gång på knappen svara/avsluta för att parkera det pågående samtalet och besvara det inkommande samtalet.
- **Tryck** på knappen svara/avsluta för att växla mellan de två samtalen.
- **Tryck lätt** på knappen svara/avsluta för att avsluta det pågående samtalet.

Ändra ljudvolym

Tryck på volym upp eller ned (+ eller -) för att ändra volymen. *(Se fig. 1)*

* Telefonberoende funktion

7 Byta ut Jabra-hörlurarna

Om du vill byta ut de medföljande Jabra-hörlurarna mot dina favorithörlurar behöver du bara ansluta hörlurarnas kontakt till hörlursuttaget på Jabra BT325s.

Om du använder andra hörlurar än de medföljande Jabra-hörlurarna måste du vara observant på att skillnader i impedans och känslighet kan begränsa eller höja nivån för den maximala volymen. En impedansnivå på 16 Ohm rekommenderas för bästa prestanda. Du måste emellertid alltid vara extra försiktig när du använder andra hörlurar än de medföljande Jabra-hörlurarna.

8 Lampornas betydelse

Det här ser du	Betydelse
Blinkande blått ljus	Blinkning varje sekund: aktivt samtal
Blinkande blått ljus	Blinkning var tredje sekund: i viloläge (standby)
Blinkande rött ljus	Batteriet är svagt
Fast rött ljus	Laddar
Fast grönt ljus	Fullt uppladdat
Fast blått ljus	I länkningsläge – se avsnitt 3

9 Felsökning och vanliga frågor och svar

Jag hör knastrande ljud

Bluetooth är en radioteknik vilket innebär att den är känslig för föremål som befinner sig mellan headsetet och den anslutna enheten. Avståndet mellan headsetet och den anslutna enheten bör kunna vara ca 10 m om inga större föremål (väggar osv) finns i vägen.

Jag kan inte höra telefonsamtalet i headsetet

Höj volymen i BT325s-headsetet.

Se till att headsetet är hopparat med telefonen.

Kontrollera att telefonen är ansluten till headsetet, antingen via BT325s-telefonmenyn eller genom att trycka lätt på knappen svara/avsluta.

Jag har problem med hopparring

Hoppningsanslutningen kan vara raderad i mobiltelefonen. Följ instruktionerna för hopparring i avsnitt 3.

Jag kan inte använda funktionerna avvisa samtal, parkera samtal, återuppringning eller röstuppringning

Du har tillgång till dessa funktioner endast om de stöds i din Bluetooth-profil för handsfree. Mer information finns i användarhandboken till telefonen.

Jag hör ingen musik i headsetet

Höj volymen på musikanordningen.

Se till att hörlurarna är anslutna på rätt sätt till BT325s.

Se till att BT325s är ansluten till 3,5 mm-porten på musikanordningen.

Se till att BT325s är laddad (den behöver inte sättas på men bör laddas).

Om BT325s batterier tagit slut och det inte finns någon möjlighet att ladda, kan du ansluta hörlurarna direkt till musikanordningen.

Jag kan inte styra musikvolymen genom volymkontrollen på BT325s

Volymkontrollen och knappen svara/avsluta är avsedda för att kontrollera telefonsamtalen.

Jag vill att musiken pausar när jag har ett samtal

Musiken fortsätter spela medan du har ett samtal. Om du vill att musiken pausar, så tryck på knappen pausa/stopp på musikanordningen.

10 Behöver du mer hjälp?

Jabra erbjuder kunder support online på www.jabra.com. Uppgifter om support i ditt land kan du även hitta på omslagets insida.

11 Skötsel av headset

- Förvara alltid Jabra BT325s med strömmen avstängd och på lämplig skyddad plats.
- Förvara inte enheten vid extrema temperaturer (över 45 °C – inte heller i direkt solljus – eller under -10 °C). I så fall kan batteriets livslängd förkortas, och funktionen försämras. Höga temperaturer kan också försämra funktionen.
- Om headsetet utsätts för vatten eller annan vätska måste det omgående torkas av omsorgsfullt så att det blir helt torrt.

12 Garanti

Jabra (GN Netcom) lämnar garanti på alla materialfel och tillverkningsfel på den här produkten under en ettårsperiod från det ursprungliga inköpsdatumet. Villkoren i garantin och våra skyldigheter enligt garantin framgår av följande punkter:

- Garantin är begränsad till den ursprungliga köparen
- En kopia av kvittot eller annat inköpsbevis krävs.
- Garantin förklaras som ogiltig om serienumret, etiketten med datummärkning eller produktetiketten tas bort, eller om produkten har hanterats vårdslöst, installerats felaktigt, modifierats eller reparerats av en obehörig tredje part
- Ansvar för produkter som tillverkats av Jabra (GN Netcom) är begränsat till reparation av produkten eller erbjudande om ny produkt enligt beslut från Jabra
- Eventuell underförstådd garanti på Jabras (GN Netcoms) produkter begränsas till två år från inköpsdatum för alla delar, inklusive eventuella sladdar och kontakter
- Särskilt undantagna från garanti är förbrukningsartiklar med begränsad livslängd som utsätts för normalt slitage, såsom vindskydd till mikrofonen, skydd till hörsnäckan, dekorativ ytbehandling, batterier och andra tillbehör
- Jabra (GN Netcom) ansvarar inte för några följdskador som uppstår på grund av användning eller missbruk av någon produkt från Jabra (GN Netcom)
- Den här garantin ger dig särskilda rättigheter och du kan även ha andra rättigheter som varierar mellan olika områden
- Om inte annat anges i användarhandboken får användaren under inga omständigheter försöka utföra service på, göra justeringar av eller reparera den här enheten, vilket gäller oberoende av om garantitiden har löpt ut eller ej. När sådan arbete måste utföras ska enheten returneras till inköpsstället, fabriken eller en behörig serviceverkstad
- Jabra (GN Netcom) ansvarar inte för eventuella förluster eller skador som uppstår vid leverans. Reparationsarbete som utförs på Jabras (GN Netcoms) produkter av en obehörig tredje part medför att garantin ogiltigförklaras

13 Certifieringar och säkerhetsgodkännanden

CE

Den här produkten är CE-märkt i enlighet med bestämmelserna i direktivet R & TTE (1999/5/EG).

GN Netcom intygar härmed att den här produkten uppfyller de nödvändiga kraven och övriga relevanta bestämmelser i direktivet 1999/5/EG.

Mer information finns på <http://www.jabra.com>

Inom EU är denna enhet avsedd att användas i Belgien, Cypern, Danmark, Estland, Finland, Frankrike, Grekland, Irland, Italien, Lettland, Litauen, Luxemburg, Malta, Nederländerna, Polen, Portugal, Slovakien, Slovenien, Spanien, Storbritannien, Sverige, Tjeckien, Tyskland, Ungern samt Österrike, och inom EFTA i Island, Norge och Schweiz.

Bluetooth

The *Bluetooth*®-produktnamnet och tillhörande logotyper ägs av Bluetooth SIG, Inc. och all användning av sådana varumärken av GN Netcom sker på licens. Övriga varumärken och produktnamn tillhör respektive ägare.

14 Ordlista

- 1 **Bluetooth** är en radioteknik som används för att ansluta enheter till varandra. Det kan röra sig om mobiltelefoner och headset, utan kablar eller sladdar, och avståndet är relativt kort (cirka 10 meter). Mer information finns på www.bluetooth.com.
- 2 **Bluetooth-profiler** är olika sätt som Bluetooth-enheterna använder för att kommunicera med andra enheter. Bluetooth-telefoner stöder antingen headsetprofil, handsfree-profil eller båda. För att kunna stödja en viss profil måste telefontillverkaren lägga in vissa obligatoriska funktioner i telefonens programvara.
- 3 **Länkning** innebär att man skapar en unik och krypterad länk mellan två Bluetooth-enheter, varpå dessa kan kommunicera med varandra. Bluetooth-enheter fungerar inte om enheterna inte länkats.
- 4 **Lösenord eller PIN-kod** är en kod som knappas in på mobiltelefonen för att länka den till Jabra BT325s. Telefonen och Jabra BT325s känner då igen varandra och arbetar automatiskt tillsammans.
- 5 **Viloläget (standby)** är när Jabra BT325s passivt väntar på ett samtal. När man avslutar ett samtal på mobiltelefonen så växlar headsetet över till viloläget.



Kassera produkten enligt lokala lagar och bestämmelser. www.jabra.com/weee

Norsk

Takk	110
SLIK KOMMER DU I GANG	113
1. Lade Jabra BT325s	113
2. Slå på Jabra BT325s	113
3. Koble med mobiltelefon	113
4. Å bruke din Jabra BT325s	114
5. Å høre på musikk fra din uavhengige musikkspiller	114
6. Slik gjør du for å	115
7. Bytte ut Jabra-høretelefonene	116
8. Dette betyr lyssignalene:	116
9. Feilsøking og spørsmål som ofte stilles	116
10. Trenger du mer hjelp?	117
11. Ta vare på hodesettet	117
12. Garanti	118
13. Sertifikater og sikkerhetsgodkjenninger	119
14. Ordlister	119

Takk

Takk for at du kjøpte Jabra BT325s Bluetooth-headset. Vi håper at du får glede av det. Bruksanvisningen vil hjelpe deg i gang og gjøre deg klar til å få mest mulig ut av Jabra-headsettet ditt.

! Husk, bilkjøringen kommer først, ikke telefonsamtalen!

Når du bruker mobiltelefonen mens du kjører bil kan du bli distrauert og øke faren for ulykker. Hvis kjøreforholdene krever det (som for eksempel dårlig vær, høy trafikk tetthet, barn i bilen eller vanskelige kjøreforhold), bør du kjøre til side og parkere før du tar eller besvarer telefonsamtaler. Prøv også å gjøre samtalene korte og ikke gjør notater eller les dokumenter.

Bruk av dette headsettet med begge ørene dekket til under kjøring kan være ulovlig i noen land.

Husk: Kjør alltid forsiktig, unngå distraksjoner og følg de lokale lovene.

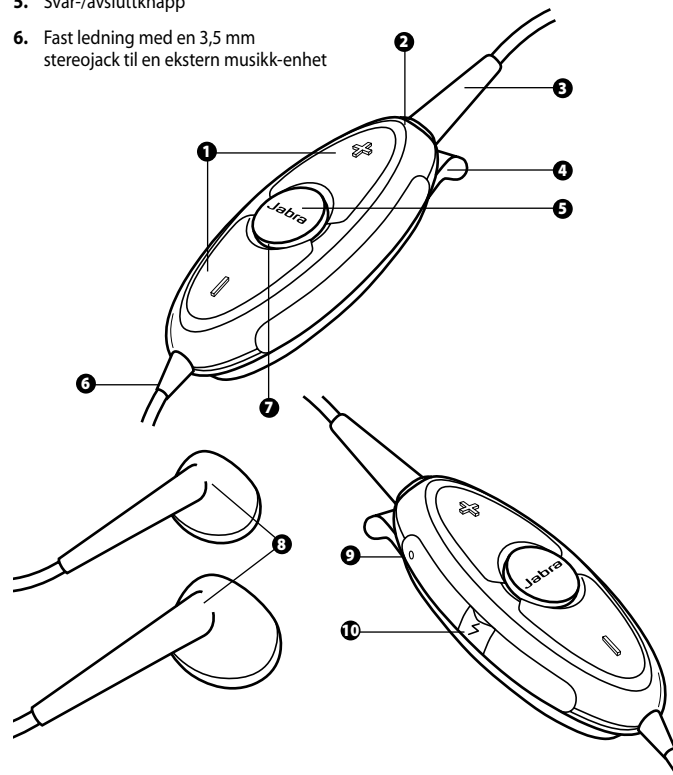
Beskytt hørselen din!

ADVARSEL: Bruk av hodetelefonene på høyt volum kan gi permanent tap av hørsel. Hvis du opplever ringetoner i ørene må du redusere volumet eller ta av hodetelefonene. Med vedvarende høyt volum kan ørene bli vant med lydnivået, og dette kan medføre permanente hørselskader. Hold volumet på et sikkert nivå. Bruk av hodetelefoner ved kjøring av et motorkjøretøy, fartøy eller sykkel kan være farlig og er ulovlig i noen land. Undersøk lokale lover og regler. Vær forsiktig hvis du bruker hodetelefoner og samtidig holder på med noe som krever hele din oppmerksomhet. Det anbefales at du ikke bruker hodetelefonene når du holder på med oppgaver som krever hele din oppmerksomhet.

Hvis du bruker andre høretelefoner enn den vedlagte Jabra-modellen, legg merke til at forskjeller i impedans og mottak kan begrense eller øke den maksimale lydstyrken. Derfor bør du alltid være ekstra forsiktig når du bruker andre høretelefoner enn den originale Jabra-modellen.

Om ditt Jabra BT325s headset

1. Volum opp (+) Volum ned (-)
2. Høretelefon-kontakt
3. Høretelefonkobling (avtakbar)
4. Isoleringsslemme med festesnor
5. Svar-/avsluttknapp
6. Fast ledning med en 3,5 mm stereojack til en ekstern musikk-enhet
7. Indikatorlampe
8. Utbyttbare høretelefoner
9. Mikrofon
10. Oppladingskontakt



Hva det nye headsettet ditt kan gjøre

Jabra BT325s lar deg lytte til din uavhengige favoritt-musikkspiller, mens den sikrer at du aldri går glipp av en oppringing fra din Bluetooth-aktiverte mobiltelefon.

Din Jabra BT325s lar deg gjøre følgende, når du bruker det som et Bluetooth-headset:

- Kan kobles til opptil 8 enheter
- Motta oppringinger
- Avslutte oppringinger
- Avvise oppringinger*
- Stemmeaktivert oppringing*
- Slå siste nummer igjen*
- Samtale venter*
- Sette samtale på vent*

*Telefonavhengig

Legg merke til at alle knappene på hovedenheten kontrollerer de ovenstående funksjonene.

Spesifikasjoner:

- Taletid opptil 8 timer/standby-tid opptil 240 timer
- Oppladbart batteri med lademulighet fra AC-strømforsyning
- Veier under 40 gram, inkl. de originale Jabra-høretelefonene
- Rekkevidde opptil 10 meter (33 fot)
- Handsfree (standard) og headset Bluetooth-profiler
- Bluetooth-spesifisering 1.2 (**Se ordliste side 119**)
- IPx2 (BT325s tåler et kort regnskyll)

Legg merke til at din BT325s tåler en kort regnskur, men er ikke vannrett og kan ikke senkes ned i vann. Hvis enheten din blir våt, bør du tørke av alle spor etter vann for å beskytte den mot potensielle skader.

SLIK KOMMER DU I GANG

Jabra BT325s er lett å bruke. Alle knapper kontrollerer mobiltelefonanrop, og knappene utfører forskjellige funksjoner avhengig av hvor lenge du holder dem inne.

Instruksjon:	Nedtrykkingstid:
Trykk kort	Trykk kort og slipp
Trykk	Trykk i om lag 1 sekund
Trykk og hold	Trykk og hold knappen nede i om lag 5 sekunder

1 Lade Jabra BT325s

Lad Jabra BT325s helt opp før du begynner å bruke den. Bruk bare laderne som følger med i boksen – ikke bruk ladere fra andre enheter, fordi dette kan ødelegge din Jabra BT325s.

Koble til Jabra BT325s som vist i fig. 2 til AC-strømforsyningen for å lade fra en stikk-kontakt. Når varselampen er rød, blir headsettet ditt ladet opp. Når lyset blir grønt, er headsettet helt ladet opp.

2 Slå på Jabra BT325s

- **Trykk** på svar-/avsluttknappen for å slå på Jabra BT325s. Når enheten er på, vil indikatorlampen blinke fire ganger.
- **Trykk og hold** inne svar-/avsluttknappen for å slå av enheten.

Legg merke til at Jabra BT325s kan spille musikk fra den frittstående musikkspilleren selv om Jabra BT325s er slått av.

3 Koble med mobiltelefon

Før du bruker Jabra BT325s med en mobiltelefon, må du først koble den til.

Før du bruker Jabra BT325s med en mobiltelefon, må du først koble den til.

1. Still Jabra BT325s i koblingsmodus:

- Pass på at høretelefonene er slått av.
- **Trykk og hold** inne svar-/avslutt-knappen til indikatorlampen lyser kontinuerlig blått.

2. Still mobiltelefonen til "Finn" Jabra BT325s

Følg bruksanvisningen til mobiltelefonen. Dette dreier seg vanligvis om å gå til "oppsett"-, "koble til"- eller "Bluetooth"-meny på telefonen og velge alternativet å finne eller legge til en Bluetooth-enhet. **(Se eksempel fra en typisk mobiltelefon i fig. 3.)**

3. Telefonen finner Jabra BT325s

Telefonen vil spørre om du vil koble til Jabra BT325s. Aksepter dette med "ja" eller "OK" og bekreft med **hovedtast eller PIN-kode 0000 (4 nuller)**.

Telefonen vil bekrefte når koblingen er fullført. Hvis koblingen mislykkes, gjentas punkt 1 til 3.

4 Å bruke din Jabra BT325s

Jabra BT325s er designet for komfortabel bruk ved hjelp av den integrerte isoleringsklemmen eller festesnoren (festesnoren er ikke inkludert). Mikrofonen er integrert på venstre side av enheten **(når Jabra BT325s ses i samme vinkel som i figur 3. A)**. Ta dette i betraktning når du plasserer hovedenheten for å forsikre deg om at stemmen din høres godt **(Se fig. 3. B)**.

5 Å høre på musikk fra din uavhengige musikkspiller

Jabra BT325s når sitt fulle potensial når den brukes sammen med en frittstående musikkspiller. Dette kan være en MP3-spiller, et bærbart mediesenter eller annen ekstern musikk enhet med standard 3,5 mm stereo-plugg.

Når du vil bruke Jabra BT325s sammen med musikkspilleren, sett 3,5 mm-pluggen inn i høretelefonkontakten på musikkspilleren. Nå kan du lytte til favorittsangene dine samtidig som du sørger for at du aldri mister et anrop fra den Bluetooth-aktiverte mobiltelefonen.

Vær oppmerksom på at alle knappene på Jabra BT325s styrer anropene på mobiltelefonen. Musikken, for eksempel start/stopp, hopp til neste/forrige spor, volum osv. må stilles inn fra musikk enheten.

Jabra BR325s er kompatibel med de fleste frittstående musikkspillerne.

6 Slik gjør du for å ...

Lytte til musikk

Stikk 3,5 mm-pluggen inn i den frittstående musikk enheten. Du trenger ikke slå på BT325s for å lytte til musikk. Du kan også trekke ut kontakten fra høretelefonene og sette dem direkte inn i musikk enheten som vanlige høretelefoner.

Svare på et anrop

Trykk på svar/avslutt-knappen på BT325s for å svare telefonen når den ringer. Musikken vil avta automatisk ved et innkommende anrop.

Avslutte en samtale

Trykk på svar/avslutt-knappen for å avslutte en samtale. Musikken fortsetter automatisk etter anropet.

Avvise en oppringing*

Trykk på svar/avslutt-knappen når telefonen ringer for å avvise en oppringing. Alt etter hvordan telefonen din er innstilt, kan personen som ringte deg enten legge igjen en beskjed, eller han eller hun vil høre et opptattsignal.

Ringe*

Når du ringer fra mobiltelefonen, vil musikken dempes og anropet vil (alt etter innstillingene på telefonen) automatisk bli overført til BT325s når noen tar telefonen.

Aktivere stemmeoppringing*

Trykk på svar/avslutt-knappen og si navnet. For best mulig resultat, bør du spille inn med stemmeoppringingsknappen når du bruker BT325s. Konsulter bruksanvisningen til telefonen for mer informasjon om hvordan man bruker denne funksjonen.

Ringe tilbake til siste nummer*

Trykk på svar/avslutt-knappen.

Samtale venter og sette en samtale på vent*

Dette lar deg sette en samtale på vent i løpet av en samtale for å ta en annen oppringing.

- **Trykk** på svar/avslutt-knappen en gang for å sette samtalen på vent og ta den andre oppringingen.
- **Trykk** på svar/avslutt-knappen for å gå fram og tilbake mellom de to samtalene.
- **Trykk** på svar/avslutt-knappen for å avslutte samtalen.

Tilpasse lyd og styrke

Trykk på volum-knappene opp eller ned (+ eller -) for å tilpasse lydstyrken. **(Se fig. 1)**

*Telefonavhengig

7 Bytte ut Jabra-høretelefonene

For å bytte ut de vedlagte Jabra-høretelefonene med favoritt-headsettet ditt, kan du bare plugge høretelefon-jacken inn i høretelefon-kontakten på Jabra BT325s.

Hvis du bruker andre høretelefoner enn den vedlagte Jabra-modellen, legg merke til at forskjeller i impedans og mottak kan begrense eller øke den maksimale lydstyrken. Et impedans-nivå på 16 ohm anbefales for best mulig resultat. Men du bør alltid være ekstra forsiktig når du bruker andre høretelefoner enn den originale Jabra-modellen.

8 Dette betyr lyssignalene:

Hva du ser	Hva dette betyr for hodesettet
Blinkende blått lys	Blinker hvert sekund: Aktiv med en samtale
Blinkende blått lys	Blinker hvert tredje sekund: I ventemodus
Blinkende rødt lys	Liten batterikapasitet
Rødt lys	Lader
Grønt lys	Oppladet
Blått lys	I sammenkoblingsmodus, se avsnitt 3

9 Feilsøking og spørsmål som ofte stilles

Jeg hører knirring

Bluetooth er en radioteknologi. Det betyr at den er følsom for gjenstander mellom høretelefonen og enheten den er koblet til. Det bør kunne være ca. 10 meters avstand mellom høretelefonen og den tilkoblede enheten når det ikke er noen større gjenstander i veien (vegger, osv.).

Jeg kan ikke høre samtalen i hodetelefonen

Øk volumet på BT325s.

Kontroller at hodetelefonen passer til telefonen.

Kontroller at telefonen er koblet til hodetelefonen i telefonens meny eller ved å trykke på svar/avslutt-knappen på BT325s.

Jeg har problemer med å koble til

Du kan ha slettet koblingen i mobiltelefonen – følg anvisningene for tilkobling i punkt 3.

Jeg kan ikke bruke Avvis anrop, Samtale venter, Slå siste nummer på nytt eller Stemmestyring

Disse funksjonene avhenger av at telefonen støtter Bluetooth håndfri-profil. Se bruksanvisningen for telefonen for nærmere informasjon.

Jeg kan ikke høre musikk i hodetelefonen

Øk volumet på musikkavspilleren.

Kontroller at hodetelefonene er koblet korrekt på BT325s.

Kontroller at BT325s er koblet til 3,5 mm-åpningen på musikkavspilleren.

Kontroller at BT325 er ladet (den behøver ikke være på, men bør være oppladet).

Hvis batteriene i BT325s er flate og du ikke kan lade dem, kan du koble hodetelefonene direkte på musikkavspilleren.

Jeg kan ikke styre musikkvolumet via volumkontrollen på BT325s

Volumkontrollen og svar/avslutt-knappen benyttes til telefonsamtalekontroll.

Jeg vil at musikken pauses når jeg er i en samtale

Musikken fortsetter å spille under telefonsamtalen. Bruk pause/stopp-funksjonen på musikkavspilleren hvis du vil stoppe den.

10 Trenger du mer hjelp?

Jabra tilbyr kundestøtte online på www.jabra.com eller så kan du se på innsiden av lokket for mer informasjon om kundestøtte i det landet du bor i.

11 Ta vare på hodesettet

- Oppbevar alltid Jabra BT325s med strømmen avslått og på et sikkert sted.
- Oppbevar ikke enheten ved ekstreme temperaturer (over 45°C/113°F, inkludert i direkte sollys, eller under -10°C/14°F). Dette kan forkorte batteriets levetid, og kan påvirke bruken. Høye temperaturer kan også redusere ytelsen.
- Hvis den blir utsatt for vann eller andre væsker, bør enheten tørkes ren for alle spor etter vann.

12 Garanti

Jabra (GN Netcom) gir garanti for dette produktet for alle material- eller produksjonsdefekter for to år fra opprinnelig kjøpsdato. Betingelsene for denne garantien og vårt ansvar iht. denne garantien er som følger:

- Garantien gjelder kun for opprinnelig kjøper
- Det må fremvises kopi av kvittering eller annet kjøpsbevis.
- Garantien er ikke gyldig hvis serienummeret, datokodetiketten eller produktetiketten fjernes, eller dersom produktet har blitt utsatt for fysisk mishandling, feilaktig installering, modifisering eller reparasjon foretatt av uautoriserte tredjeparter
- Jabras (GN Netcom) produktansvar er begrenset til reparasjon eller utskifting av produktet etter eget forgodtbefinnende
- Enhver underforstått garanti for Jabras (GN Netcom) produkter er begrenset til to år fra kjøpsdato for alle parter, inkludert ledninger og konnektorer
- Unntatt fra denne garantien er forbrukskomponenter med begrenset levetid som er utsatt for normal slitasje, som mikrofonvindskjermer, øreputer, dekorative overflater, batterier og annet tilbehør
- Jabra (GN Netcom) er ikke erstatningsansvarlig for noen bi- eller følgeskader som resultat av bruk eller misbruk av noen av Jabras (GN Netcom) produkter
- Denne garantien gir deg spesifikke rettigheter, og du kan også ha andre rettigheter som varierer avhengig av område
- Med mindre annet er oppgitt i brukerhåndboken, må brukeren ikke, under noen omstendigheter, prøve å utføre service, justeringer eller reparasjoner på denne enheten, innenfor eller utenfor garantiperioden. Den må returneres til salgssted, fabrikk eller autorisert serviceagentur for slikt arbeid
- Jabra (GN Netcom) påtar seg ikke ansvar for tap eller skade som oppstår under frakt. Reparasjonsarbeid som er fortatt på Jabras (GN Netcom) produkter av uautoriserte tredjeparter fører til at garantien oppheves

13 Sertifikater og sikkerhetsgodkjenninger

CE

Dette produktet er CE-merket iht. bestemmelsene i R & TTE-direktivet (1999/5/EG).

GN Netcom erklærer herved at dette produktet er i samsvar med de viktigste krav og andre aktuelle bestemmelser i Direktiv 1999/5/EG.

For ytterligere informasjon, se <http://www.jabra.com>

I EU er dette apparatet ment å brukes i Østerrike, Belgia, Kypros, Tsjekia, Danmark, Estland, Finland, Frankrike, Tyskland, Hellas, Ungarn, Irland, Italia, Latvia, Litauen, Luxembourg, Malta, Polen, Portugal, Slovakia, Slovenia, Spania, Sverige, Nederland, Storbritannia, og innen EFTA i Norge, Sveits og på Island.

Bluetooth

Ordmerket og logoene *Bluetooth*® eies av Bluetooth SIG, Inc., og enhver bruk av slike merker av GN Netcom er lisensiert. Andre varemerker og varenavn tilhører de respektive eiere.

14 Ordliste

- 1 **Bluetooth** er en radiobasert teknologi som kobler sammen enheter, som mobiltelefoner og hodesett, uten kabler over kort avstand (omtrent 30 fot). Du kan finne mer informasjon på www.bluetooth.com.
- 2 **Bluetooth-profiler** er de forskjellige måtene Bluetooth-enheter kommuniserer med andre enheter på. Bluetooth-telefoner støtter enten hodesett-profilen, handsfree-profilen eller begge. For å kunne støtte en spesiell profil, må mobiltelefonprodusenten implementere enkelte påkrevde funksjoner i mobiltelefonens programvare.
- 3 **Sammenkobling / Pairing** lager en unik kryptert link mellom to Bluetooth-enheter, og lar disse kommunisere med hverandre. Bluetooth-enheter vil ikke fungere mot enheter de ikke er sammenkoblet mot.
- 4 **Pass-kode eller PIN** er en kode du taster inn på mobiltelefonen for å koble den sammen med Jabra BT325s. Dette gjør at Jabra BT325s og mobiltelefonen kjenner hverandre igjen, og automatisk fungerer sammen.
- 5 **Ventemodus (Stand by)** er når Jabra BT325s passivt venter på en samtale. Når du "avslutter" en samtale på mobiltelefonen, går hodesettet inn i ventemodus.



Produktet må kun kastes i overensstemmelse med lokale miljøbestemmelser. www.jabra.com/weee

Português

Obrigado.....	122
PRIMEIROS PASSOS	125
1. Carregar os Jabra BT325s.....	125
2. Ligue os Jabra BT325s.....	125
3. Emparelhar com um telemóvel.....	125
4. Utilização do Jabra BT325s.....	126
5. Ouvir música a partir do leitor.....	126
6. Como fazer para.....	127
7. Troca dos auscultadores Jabra.....	128
8. Significado das luzes.....	128
9. Resolução de problemas e perguntas frequentes	128
10. Precisa de mais ajuda?.....	129
11. Cuidados a ter com o seu auricular	129
12. Garantia.....	130
13. Certificação e aprovações de segurança	131
14. Glossário	131

Obrigado

Obrigado por ter adquirido os auscultadores Bluetooth Jabra BT325s. Esperamos que tire o máximo partido deste produto. O Manual do Utilizador permite-lhe começar a utilizar e tirar o máximo partido dos auscultadores Jabra.

! Não se esqueça de que a condução é mais importante do que uma chamada!

Utilizar um telemóvel enquanto conduz pode distraí-lo e aumentar o risco de acidente. Se as condições de circulação assim o exigirem (por exemplo, mau tempo, muito tráfego, crianças no carro ou estradas difíceis), saia da estrada e estacione antes de efectuar ou atender chamadas. Além disso, evite chamadas longas e não tome notas nem leia documentos.

A utilização destes auscultadores com ambas as orelhas cobertas enquanto conduz poderá não ser permitida em certos países.

Não se esqueça: Conduza sempre com segurança, evite distrações e cumpra a legislação.

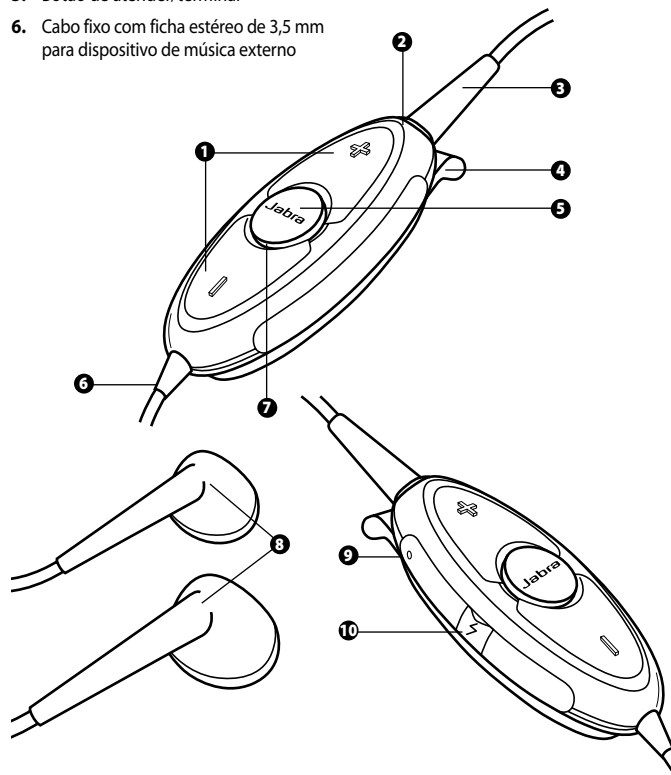
Proteja os seus ouvidos!

AVISO: A utilização dos auscultadores com um volume elevado pode resultar na perda permanente de audição. Se detectar zumbidos nos ouvidos, reduza o volume ou desligue os auscultadores. Com uma utilização continuada num volume elevado, os ouvidos podem-se habituar ao nível sonoro o que pode resultar em danos permanentes na audição. Mantenha o volume a nível de segurança. A utilização de auscultadores durante a condução de um veículo motorizado, moto, barco ou bicicleta pode resultar em perigos, e é ilegal nalguns países. Consulte as leis locais. Tenha o máximo cuidado quando da utilização dos auscultadores enquanto está concentrado numa actividade que necessite da máxima atenção. Durante o trabalho nessa actividade, retire os auscultadores da zona dos ouvidos, ou desligue-os, para evitar distrações, bem como acidentes ou lesões.

Se utilizar uns auscultadores diferentes do modelo Jabra fornecido, note que as diferenças na impedância e sensibilidade podem limitar ou aumentar o nível de saída do volume máximo. Assim, utilize sempre uma precaução suplementar quando da utilização de auscultadores diferentes do modelo Jabra original.

Sobre os auscultadores Jabra BT325s

1. Aumentar volume (+), reduzir volume (-)
2. Tomada dos auscultadores
3. Conector dos auscultadores (amovível)
4. Clip de roupa com cordão
5. Botão de atender/terminar
6. Cabo fixo com ficha estéreo de 3,5 mm para dispositivo de música externo
7. Luz indicadora
8. Auscultadores permutáveis
9. Microfone
10. Tomada de carga



O QUE OS NOVOS AUSCULTADORES PERMITEM FAZER

Os Jabra BT325s permitem-lhe utilizar o seu leitor de música favorito assegurando, simultaneamente, que nunca perde uma chamada do telemóvel compatível com Bluetooth.

Os Jabra BT325s permitem-lhe utilizar as funcionalidades a seguir apresentadas quando forem utilizados como auscultadores Bluetooth:

- Emparelhamento com até 8 dispositivos
- Atender chamadas
- Terminar chamadas
- Rejeitar chamadas*
- Marcação por voz*
- Remarcação do último número*
- Chamadas em espera*
- Colocar chamadas em espera*

* Dependente do telefone

Salientamos que todos os botões no dispositivo Bluetooth são dedicados ao controlo da funcionalidade acima mencionada.

Especificações:

- Tempo de conversação até 8 horas/tempo de espera até 240 horas
- Bateria recarregável com opção de carregamento a partir da fonte de alimentação de CA
- Peso inferior a 40 gramas, incluindo os auscultadores originais Jabra
- Raio de operação até 10 metros (33 pés)
- Perfis de mãos-livres (padrão) e auscultadores Bluetooth
- Especificação Bluetooth 1.2 (**Consulte o glossário na página 131**)
- IPX2 (Os BT325s suportam pequena quantidade de chuva)

Note que o BT325s pode suportar uma pequena quantidade de chuva, mas não é à prova de água nem pode ser submerso. Se o dispositivo se molhar, deverá ser completamente limpo para que fique protegido contra potenciais danos.

PRIMEIROS PASSOS

Os Jabra BT325s são de fácil utilização. Todos os botões são dedicados para controlar as chamadas do telemóvel, e executam diferentes funções dependendo do tempo com que forem premidos:

Instrução:	Duração:
Toque	Prima brevemente e solte
Prima	Prima durante aprox. 1 seg.
Prima sem soltar	Prima sem soltar durante aprox. 5 seg.

1 Carregar os Jabra BT325s

Carregue totalmente os Jabra BT325s enquanto o LED estiver vermelho, antes de os começar a utilizar. Utilize apenas o carregador fornecido – Não utilize carregadores de outros dispositivos pois, se o fizer, pode danificar os Jabra BT325s.

Ligue os Jabra BT325s conforme mostrado na Fig. 2. à fonte de alimentação de CA, para efectuar o carregamento a partir de uma tomada eléctrica. Quando o indicador ficar vermelho, os auscultadores estão em carregamento. Quando o indicador luminoso ficar verde, os auscultadores estão completamente carregados.

2 Ligue os Jabra BT325s

- **Prima** o botão de atender/terminar para ligar os Jabra BT325s - Quando o dispositivo estiver ligado, o indicador de LED piscará quatro vezes.
- **Prima sem soltar** o botão de atender/terminar para desligar o dispositivo

Note que os Jabra BT325s podem reproduzir música do leitor de música autónomo, mesmo estando desligados.

3 Emparelhar com um telemóvel

Antes de utilizar os Jabra BT325s com um telemóvel, deve primeiro efectuar o respectivo emparelhamento.

1. **Coloque os auscultadores Jabra BT325s em modo de emparelhamento:**
 - Certifique-se de que o auscultador está desligado.
 - **Prima sem soltar** o botão de atender/terminar até a luz indicadora ficar azul.

2. Defina o seu telemóvel para 'descobrir' os Jabra BT325s

Siga as instruções fornecidas no manual do telefone. Este procedimento implica, geralmente, o acesso a um menu de 'configuração', 'ligação' ou 'Bluetooth' no telefone e a selecção da opção para descobrir ou adicionar um dispositivo Bluetooth. **(veja o exemplo de um telemóvel típico na Fig. 3.)**

3. O seu telefone encontrará os Jabra BT325s

O seu telefone perguntar-lhe-á se pretende efectuar o emparelhamento. Aceite com "Sim" ou "OK" e confirme com a **senha ou PIN = 0000 (4 zeros)**.

O telefone confirmará quando o emparelhamento estiver concluído. Se o emparelhamento não foi bem sucedido, repita os passos de 1 a 3.

4 Utilização do Jabra BT325s

Os BT325s estão concebidos para serem confortáveis de utilizar com o clip de roupa ou cordão (cordão não incluído). O microfone está integrado na parte superior esquerda do dispositivo **(quando olhar para os BT325s conforme mostrado na Figura 3. A)**. Assim, posicione o dispositivo principal de modo a assegurar uma captura correcta da voz. **(Consulte a Fig. 3. B)**

5 Ouvir música a partir do leitor

Os Jabra BT325s mostram toda a sua potencialidade quando utilizados em conjunto com um leitor de música. Este dispositivo pode ser um leitor MP3, um centro de média portátil ou qualquer outro dispositivo musical externo, que possua uma tomada estéreo padrão de 3,5 mm.

Para utilizar os Jabra BT325s com o leitor de música, ligue a ficha de 3,5 mm na tomada de auscultadores do leitor de música. Pode, agora, ouvir as suas melodias favoritas ao mesmo tempo que assegura que nunca perde uma chamada a partir do telemóvel compatível com Bluetooth.

Salientamos que todos os controlos nos BT325s são dedicados para controlar as chamadas do telemóvel. O controlo da música, por exemplo, iniciar/parar, mudar de faixa, volume, etc., deve ser efectuado a partir do dispositivo musical.

Os Jabra BT325s são compatíveis com a maioria dos leitores de música.

6 Como fazer para....

Ouvir música

Ligue o cabo fixo de 3,5mm no dispositivo de música autónomo. Os Jabra BT325s não necessitam de ser ligados para se ouvir música.

Também pode desligar os auscultadores e inseri-los directamente no dispositivo de música como auscultadores normais.

Atender uma chamada

Toque no botão atender/terminar nos Jabra BT325s para atender uma chamada quando o telefone estiver a tocar. A volume da música baixará automaticamente ao receber uma chamada.

Terminar uma chamada

Toque no botão atender/terminar para terminar uma chamada activa. A música continuará automaticamente após a chamada terminar.

Rejeitar uma chamada*

Prima o botão de atender/terminar quando o telefone tocar, para rejeitar uma chamada recebida. Dependendo das definições do telefone, a pessoa que ligou será encaminhada para o correio de voz ou ouvirá um sinal de ocupado.

Efectuar uma chamada*

Quando efectuar uma chamada do telemóvel, o volume da música baixará e a chamada será transferida automaticamente para os Jabra BT325s (dependente das definições do telefone) quando estiver ligado.

Activar a marcação por voz*

Toque no botão de atender/terminar e diga o nome. Para obter os melhores resultados, grave a indicação de marcação por voz quando estiver a utilizar os Jabra BT325s. Consulte o Manual do Utilizador do telefone para obter mais informações sobre a utilização desta funcionalidade.

Remarcar último número*

Prima o botão de atender/terminar.

Chamada em espera e colocar uma chamada em espera*

Esta função permite-lhe colocar uma chamada em espera durante uma conversa, e atender uma chamada recebida.

- **Prima** uma vez o botão de atender/terminar para colocar uma chamada activa em espera, e atender a chamada recebida
- **Prima** o botão de responder/terminar para alternar entre as duas chamadas
- **Toque** no botão atender/terminar para terminar a conversa activa

Ajustar o som e o volume

Prima o botão de aumentar ou reduzir volume (+ ou -) para ajustar o volume. (Consulte a Fig. 1)

*Dependente do telefone

7 Troca dos auscultadores Jabra

Para permutar os auscultadores Jabra fornecidos, basta ligar a ficha na respectiva tomada nos Jabra BT325s.

Se utilizar uns auscultadores diferentes do modelo Jabra fornecido, note que as diferenças na impedância e sensibilidade podem limitar ou aumentar o nível de saída do volume máximo. Para obter o melhor desempenho, é recomendada a utilização de um nível de impedância de 16 Ohm. No entanto, utilize sempre uma precaução suplementar quando da utilização de auscultadores diferentes do modelo Jabra original.

8 Significado das luzes

O que vê	O que significa
luz azul intermitente	a piscar uma vez por segundo: activo, em chamada
luz azul intermitente	a piscar de três em três segundos: em modo de espera
luz vermelha intermitente	a bateria está a ficar sem carga
luz vermelha fixa	em carga
luz verde fixa	totalmente carregado
luz azul fixa	em modo de sincronização – consulte a secção 3

9 Resolução de problemas e perguntas frequentes

Ouçó estalidos

Bluetooth é uma tecnologia de rádio que é sensível a objectos entre os auscultadores e o dispositivo em que estão ligados. Deve ter cerca de 10 metros (33 pés) de distância entre os auscultadores e o dispositivo ligado, sem grandes objectos no caminho (Paredes, etc.).

Não consigo ouvir a chamada telefónica nos auscultadores

Aumente o volume no BT325s.

Certifique-se de que os auscultadores estão emparelhados com o telefone.

Certifique-se de que o telefone está ligado aos auscultadores no menu do telefone, ou tocando no botão atender/terminar no BT325s.

Tenho problemas no emparelhamento

Pode ter eliminado a ligação de emparelhamento no telemóvel - siga as instruções de emparelhamento na Secção 3.

Não consigo utilizar Rejeitar chamada, Chamada em espera, Remarcar ou Marcação por voz

Estas funcionalidades estão dependentes do seu telefone suportar o perfil de mãos-livres Bluetooth. Consulte o manual do telefone para obter detalhes.

Não ouço qualquer música nos auscultadores

Aumente o volume no dispositivo de música.

Certifique-se de que os auscultadores estão correctamente ligados ao BT325s

Certifique-se de que o BT325s está ligado à porta de 3,5 mm do dispositivo de música

Certifique-se de que o BT325s está carregado (não necessita de estar ligado, mas deve estar carregado)

Se a bateria do BT325s estiver com falta de carga, e se não for possível efectuar o carregamento, pode ligar os auscultadores directamente ao dispositivo de música.

Não consigo controlar o volume da música através do controlo de volume no BT325s

O controlo de volume e o botão de atender/terminar são dedicados para controlar as chamadas telefónicas.

Pretende efectuar uma pausa música durante uma chamada

A música continuará a ser reproduzida durante uma chamada telefónica. Se pretender efectuar uma pausa, utilize o botão de pausa/parar no dispositivo de música.

10 Necessita de mais ajuda?

A Jabra disponibiliza assistência aos clientes online em www.jabra.copm, ou pode também consultar a folha de rosto para obter informações detalhadas sobre o suporte técnico no seu país.

11 Cuidados a ter com o seu auricular

- Arrume sempre o Jabra BT325s desligado e protegido.
- Evite arrumá-lo a temperaturas muito elevadas (acima de 45°C/113°F – incluindo luz solar directa – ou abaixo de -10°C/14°F). Isto poderá encurtar a vida da bateria e afectar o seu funcionamento. As elevadas temperaturas também deterioram o desempenho.
- Se exposto à água ou a outros líquidos, o dispositivo deve ser completamente limpo de modo a remover todos os vestígios de água.

12 Garantia

A Jabra (GN Netcom) garante este produto contra todos os defeitos de fabrico e material durante o período de dois anos a contar da data de aquisição original. Seguem-se as condições desta garantia e as nossas responsabilidades ao abrigo desta mesma garantia:

- A garantia está limitada ao comprador original
- Tem de apresentar uma cópia do recibo ou outra prova de compra.
- A garantia será anulada se retirar o número de série, a etiqueta do código da data ou a etiqueta do produto ou se o produto tiver sofrido abuso físico, instalação imprópria, modificações ou reparações por parte de terceiros não autorizados
- A responsabilidade pelos produtos da Jabra (GN Netcom) está limitada à reparação ou substituição do produto, segundo decisão exclusiva da Jabra
- Todas as garantias implícitas dos produtos Jabra (GN Netcom) estão limitadas a dois anos, a contar da data de aquisição de todas as peças, incluindo todos os cabos e conectores
- Especificamente isentos de qualquer garantia estão os consumíveis com duração limitada sujeitos ao desgaste normal da utilização, como as protecções anti-vento do microfone, as almofadas dos ouvidos, os elementos decorativos, as pilhas e outros acessórios
- A Jabra (GN Netcom) não se responsabiliza por quaisquer danos acidentais ou consequenciais, resultantes do uso ou utilização indevida de qualquer produto Jabra (GN Netcom)
- Esta garantia fornece direitos específicos, sendo que o utilizador poderá ter outros direitos que podem variar conforme a região
- Salvo indicação em contrário no Manual do utilizador, o utilizador não pode, em nenhuma circunstância, efectuar a manutenção, nem fazer ajustes ou reparações neste produto, dentro ou fora do prazo da garantia. Para tais trabalhos, o produto tem de ser devolvido ao local de aquisição, à fábrica ou a um centro de assistência autorizado
- A Jabra (GN Netcom) não assume nenhuma responsabilidade por quaisquer perdas ou danos incorridos durante o envio. Qualquer garantia será anulada se forem efectuados trabalhos de reparação em produtos da Jabra (GN Netcom) por terceiros não autorizados

13 Certificação e aprovações de segurança

CE

Este produto tem a marca CE, de acordo com o estabelecido na Directiva R & TTE (1999/5/CE).

No presente documento, a GN Netcom declara que este produto está em conformidade com os requisitos essenciais e outras disposições relevantes da Directiva 1999/5/CE.

Para obter mais informações, visite o site <http://www.jabra.com>

Na UE, este dispositivo destina-se a ser utilizado na Áustria, Bélgica, Chipre, República Checa, Dinamarca, Estónia, Finlândia, França, Alemanha, Grécia, Hungria, Irlanda, Itália, Letónia, Lituânia, Luxemburgo, Malta, Polónia, Portugal, Eslováquia, Eslovénia, Espanha, Suécia, Holanda, Reino Unido e, na EFTA, na Islândia, Noruega e Suíça

Bluetooth

A marca *Bluetooth*® e os logótipos são propriedade da Bluetooth SIG, Inc. e para utilizar qualquer uma destas marcas necessita de uma licença da GN Netcom. Outras marcas comerciais e nomes de marcas pertencem aos respectivos proprietários.

14 Glossário

- 1 **Bluetooth** é uma tecnologia rádio que liga aparelhos, como telemóveis e auriculares, sem fios ou cabos, a uma curta distância (aprox. 10 metros). Obtenha mais informações em www.bluetooth.com.
- 2 **Perfis Bluetooth** são as diferentes formas que os aparelhos Bluetooth possuem para comunicar uns com os outros. Os telemóveis Bluetooth suportam o perfil de auricular, de mãos-livres ou ambos. Para suportar um certo perfil, o fabricante de telemóveis terá que implementar algumas características obrigatórias no software do telemóvel.
- 3 **Sincronização** cria uma ligação única e encriptada entre dois aparelhos Bluetooth e permite-lhes comunicar um com o outro. Os aparelhos Bluetooth não funcionam se não tiverem sido sincronizados.
- 4 **Palavra-passe ou PIN** é o código que se introduz no seu telemóvel para sincronizá-lo com o seu Jabra BT325s. Isto faz com que o seu telemóvel e o Jabra BT325s se reconheçam mutuamente e trabalhem automaticamente em conjunto.
- 5 **Modo de espera** é o modo em que o Jabra BT325s se encontra passivamente à espera de uma chamada. Quando se “termina” uma chamada, o auricular fica em modo de espera.



Elimine o produto de acordo com os padrões e regulamentações locais. www.jabra.com/weee

Ελληνικά

Σας ευχαριστούμε	134
ΓΙΑ ΝΑ ΞΕΚΙΝΗΣΕΤΕ	137
1. Φορτίστε το Jabra BT325s	137
2. Ενεργοποιήστε το Jabra BT325s	137
3. Σύνδεση με κινητό τηλέφωνο	137
4. Πώς να φορέσετε το Jabra BT325s	138
5. Πώς να ακούτε μουσική από την ανεξάρτητη συσκευή αναπαραγωγής μουσικής	138
6. Πώς να	139
7. Αλλαγή των ακουστικών Jabra	140
8. Τι σημαίνουν τα φώτα	140
9. Αντιμέτωπη προβλημάτων και FAQ	141
10. Χρειάζεστε περισσότερη βοήθεια;	142
11. Φροντίδα του ακουστικού	142
12. Εγγύηση	142
13. Εγκρίσεις πιστοποίησης και ασφάλειας	143
14. Γλωσσάρι	144

Σας ευχαριστούμε

Σας ευχαριστούμε που αγοράσατε τη συσκευή ακουστικού-μικροφώνου κεφαλής Bluetooth Jabra BT325s. Ελπίζουμε ότι θα την ευχαριστηθείτε. Οι οδηγίες χρήσης θα σας βοηθήσουν να ξεκινήσετε και να αξιοποιήσετε στο έπακρο τη συσκευή Jabra.

! Να θυμάστε, προτεραιότητα έχει η οδήγηση, όχι το τηλέφωνο!

Η χρήση κινητού τηλεφώνου κατά την οδήγηση μπορεί να αποσπάσει την προσοχή σας και να αυξήσει τον κίνδυνο πρόκλησης ατυχήματος. Εάν οι συνθήκες οδήγησης το απαιτούν (όπως σε περίπτωση κακοκαιρίας, πυκνής κυκλοφορίας, παρουσίας παιδιών στο αυτοκίνητο ή άσχημης κατάστασης του οδοστρώματος), βγείτε στο πλάι του δρόμου και σταθμεύστε το όχημα προτού πραγματοποιήσετε ή δεχθείτε κάποια κλήση. Επίσης, προσπαθήστε να είναι οι συνομιλίες σας σύντομες και μην κρατάτε σημειώσεις ή διαβάζετε έγγραφα.

Η χρήση των ακουστικών αυτών και με τα δύο αυτιά καλυμμένα κατά την οδήγηση μπορεί να μην επιτρέπεται σε ορισμένες χώρες.

Να θυμάστε: Να οδηγείτε πάντοτε με ασφάλεια, να αποφεύγετε τη διάσπαση της προσοχής σας και να τηρείτε τους τοπικούς νόμους.

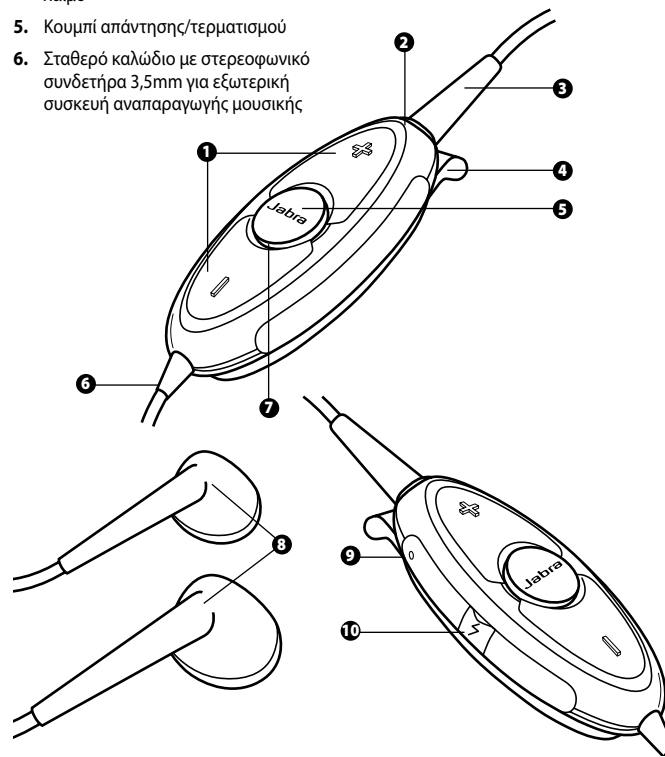
Προστατεύστε την ακοή σας!

ΠΡΟΕΙΔΟΠΟΙΗΣΗ: Η χρήση ακουστικών σε υψηλή ένταση μπορεί να οδηγήσει σε μόνιμη απώλεια ακοής. Αν αισθανθείτε τα αυτιά σας να βουίζουν, χαμηλώστε την ένταση του ήχου ή σταματήστε τη χρήση των ακουστικών. Με τη συνεχή χρήση των ακουστικών σε υψηλή ένταση, τα αυτιά σας μπορεί να συνηθίσουν το επίπεδο του ήχου, με αποτέλεσμα να προκληθεί μόνιμη βλάβη στην ακοή σας. Κρατήστε την ένταση σε ασφαλές επίπεδο. Η χρήση ακουστικών κατά την οδήγηση αυτοκινήτου, μηχανής, τζετ-σκι ή ποδηλάτου μπορεί να είναι επικίνδυνη και, σε ορισμένες χώρες, παράνομη. Συμβουλευτείτε τους τοπικούς κανονισμούς. Απαιτείται μεγάλη προσοχή όταν χρησιμοποιείτε ακουστικά ενώ ασχολείστε με κάποια δραστηριότητα που απαιτεί την πλήρη προσοχή σας. Κατά τη διάρκεια μιας τέτοιου είδους δραστηριότητας, η αφαίρεση των ακουστικών από τα αυτιά σας ή η απενεργοποίηση της έντασης θα αποτρέψει την απόσπαση της προσοχής σας, ώστε να αποφευχθούν τυχόν ατυχήματα ή τραυματισμοί.

Αν χρησιμοποιείτε διαφορετικό σετ ακουστικών από το παρεχόμενο μοντέλο Jabra, να έχετε υπόψη σας ότι τυχόν διαφορές στη σύνθετη αντίσταση και ευαισθησία μπορεί να περιορίσουν ή να αυξήσουν τη μέγιστη ένταση του ήχου. Επομένως, να είστε πάντα ιδιαίτερα προσεκτικοί όταν χρησιμοποιείτε διαφορετικά ακουστικά κεφαλής από το γνήσιο μοντέλο Jabra.

Σχετικά με τα Jabra BT325s

1. Αύξηση έντασης ήχου (+) Μείωση έντασης ήχου (-)
2. Υποδοχή ακουστικών κεφαλής
3. Συνδετήρας ακουστικών κεφαλής (αποσπώμενος)
4. Κλιπ για τα ρούχα με κορδόνι για το λαιμό
5. Κουμπί απάντησης/τερματισμού
6. Σταθερό καλώδιο με στερεοφωνικό συνδετήρα 3,5mm για εξωτερική συσκευή αναπαραγωγής μουσικής
7. Ενδεικτική λυχνία
8. Ακουστικά κεφαλής με δυνατότητα αντικατάστασης
9. Μικρόφωνο
10. Υποδοχή φόρτισης



Τι μπορούν να κάνουν τα νέα σας ακουστικά Jabra:

Το Jabra BT325s σας δίνει τη δυνατότητα να ακούτε την ανεξάρτητη συσκευή αναπαραγωγής μουσικής που προτιμάτε ενώ διασφαλίζει ότι δεν θα χάνετε καμιά κλήση από το κινητό σας τηλέφωνο που διαθέτει δυνατότητα Bluetooth.

Το Jabra BT325s σας δίνει τη δυνατότητα να κάνετε όλα αυτά, όταν λειτουργεί ως συσκευή ακουστικού-μικροφώνου κεφαλής Bluetooth

- Συνεργασία με έως και 8 συσκευές
- Απάντηση κλήσεων
- Τερματισμός κλήσεων
- Απόρριψη κλήσεων*
- Φωνητική κλήση*
- Επανάκληση τελευταίου αριθμού*
- Αναμονή κλήσης*
- Θέση κλήσης σε αναμονή*

* εξαρτάται από το τηλέφωνο

Θα πρέπει να έχετε υπόψη ότι όλα τα κουμπιά της συσκευής Bluetooth προορίζονται αποκλειστικά για τον έλεγχο των παραπάνω λειτουργιών. Προδιαγραφές:

- Χρόνος ομιλίας έως και 8 ώρες/Χρόνος αναμονής έως και 240 ώρες
- Επαναφορτιζόμενη μπαταρία με δυνατότητα φόρτισης από πρίζα εναλλασσόμενου ρεύματος
- Ζυγίζει λιγότερο από 40 γραμμάρια, μαζί με τα γνήσια ακουστικά Jabra
- Εμβέλεια λειτουργίας έως και 10 μέτρα (33 πόδια) περίπου
- Προφίλ handsfree (προεπιλογή) και ακουστικού-μικροφώνου κεφαλής bluetooth
- Προδιαγραφή Bluetooth 1.2 (δείτε το γλωσσάρι στη σελίδα 144)
- IPx2 (Το BT325s μπορεί να αντέξει μια σύντομη καταιγίδα)

Καλό θα είναι να θυμάστε ότι το BT325s αντέχει σε μια σύντομη νεροποντή αλλά δεν είναι αδιάβροχο και δεν μπορεί να βυθιστεί. Αν η συσκευή σας βραχεί, θα πρέπει να τη σκουπίσετε καλά για να την προστατεύσετε από πιθανή βλάβη.

ΓΙΑ ΝΑ ΞΕΚΙΝΗΣΕΤΕ

Η λειτουργία του Jabra BT325s είναι πολύ εύκολη. Όλα τα κουμπιά προορίζονται για τον έλεγχο των κλήσεων του κινητού σας τηλεφώνου και το κάθε κουμπί εκτελεί διαφορετική λειτουργία ανάλογα με το πόση ώρα το πιέζετε:

Οδηγία:	Διάρκεια πίεσης:
Κτύπημα	Πιέστε για πολύ σύντομο διάστημα και αφήστε
Πίεση	Πιέστε για περίπου 1 δευτερόλεπτο
Πίεση και συγκράτηση	Πιέστε και κρατήστε για περίπου 5 δευτερόλεπτα

1 Φορτίστε το Jabra BT325s

Προτού αρχίσετε να χρησιμοποιείτε το Jabra BT325s, φορτίστε το πλήρως. Χρησιμοποιείτε μόνον τους φορτιστές που υπάρχουν στη συσκευασία - μη χρησιμοποιείτε φορτιστές από άλλες συσκευές γιατί ενδέχεται να προκληθεί βλάβη στο Jabra BT325s.

Συνδέστε το Jabra BT325s στην παροχή εναλλασσόμενης τάσης για να το φορτίσετε από την πρίζα, με τον τρόπο που υποδεικνύεται στην εικόνα 2. Όταν οι ενδεικτικές λυχνίες ανάβουν σε σταθερά κόκκινο χρώμα, η συσκευή σας φορτίζεται. Όταν το χρώμα των λυχνιών γίνει πράσινο, η συσκευή έχει φορτιστεί πλήρως.

2 Ενεργοποιήστε το Jabra BT325s

- **Πιέστε** το κουμπί απάντησης/τερματισμού κλήσης για να ενεργοποιήσετε τα ακουστικά σας – όταν τα ακουστικά ενεργοποιηθούν, το ενδεικτικό φως LED θα αναβοσβήνει τέσσερις φορές.
- **Πιέστε και κρατήστε** το κουμπί απάντησης/τερματισμού κλήσης για να απενεργοποιήσετε τη συσκευή.

Σημειώστε ότι το Jabra BT325s συνεχίζει να παίζει μουσική από την ανεξάρτητη συσκευή αναπαραγωγής μουσικής ακόμη κι αν κλείσετε το Jabra BT325s.

3 Σύνδεση με κινητό τηλέφωνο

Προτού χρησιμοποιήσετε το Jabra BT325s με κινητό τηλέφωνο, πρέπει πρώτα να τα συνδέσετε.

1. **Θέστε το Jabra BT325s σε τρόπο λειτουργίας σύνδεσης συσκευών:**
 - **Βεβαιωθείτε** ότι η συσκευή ακουστικού-μικροφώνου κεφαλής είναι κλειστή.
 - **Πατήστε και κρατήστε** πατημένο το κουμπί απάντησης/τερματισμού κλήσεων ωστόσο η ενδεικτική λυχνία ανάψει σε σταθερά μπλε χρώμα.

2. **Ρυθμίστε το κινητό σας τηλέφωνο ώστε να 'ανακαλύψει' το Jabra BT325s**
Ακολουθήστε τις οδηγίες χρήσης του τηλεφώνου σας. Συνήθως απαιτείται η μετάβαση σε μενού 'αρχικής ρύθμισης' 'σύνδεσης' ή 'Bluetooth' στο τηλέφωνό σας και η επιλογή της δυνατότητας αναζήτησης ή προσθήκης συσκευής Bluetooth. **(Δείτε παράδειγμα από ένα τυπικό κινητό τηλέφωνο στην εικόνα 3.)**

3. Το τηλέφωνό σας θα βρει το Jabra BT325s

Το τηλέφωνό σας θα ρωτήσει αν επιθυμείτε σύνδεση των δύο συσκευών, οπότε αποδέχστε με 'yes' ή 'ok' και επιβεβαιώνετε με τον **κωδικό πρόσβασης ή τον PIN=0000 (4 μηδενικά)**.

Όταν ολοκληρωθεί η σύνδεση των δύο συσκευών, το τηλέφωνό σας θα την επιβεβαιώσει. Σε περίπτωση που η σύνδεση δεν ολοκληρωθεί με επιτυχία, επαναλάβετε τα βήματα 1 έως 3.

4 Πώς να φορέσετε το Jabra BT325s

Το Jabra BT325s έχει σχεδιαστεί ώστε να φοριέται άνετα αν χρησιμοποιήσετε το ενσωματωμένο κλιπ για τα ρούχα ή το κορδόνι για το λαιμό (το κορδόνι δεν περιλαμβάνεται στη συσκευασία). Το μικρόφωνο είναι ενσωματωμένο στο επάνω μέρος της αριστερής πλευράς της συσκευής **(όταν βλέπετε το BT325s όπως φαίνεται στην εικόνα 3. Α)**. Αυτό θα πρέπει να το λαμβάνετε υπόψη όταν τοποθετείτε την κύρια συσκευή, για να εξασφαλίσετε καθαρή λήψη της φωνής σας. **(Δείτε την εικόνα 3. Β)**

5 Πώς να ακούτε μουσική από την ανεξάρτητη συσκευή αναπαραγωγής μουσικής

Το Jabra BT325s αξιολογείται στο έπακρο όταν το χρησιμοποιείτε σε συνδυασμό με κάποια ανεξάρτητη συσκευή αναπαραγωγής μουσικής. Αυτή η συσκευή μπορεί να είναι MP3-player, φορητό κέντρο μέσων ή οποιαδήποτε άλλη εξωτερική συσκευή αναπαραγωγής μουσικής που διαθέτει βασικό στερεοφωνικό συνδετήρα 3,5mm.

Για να χρησιμοποιήσετε το Jabra BT325s με τη συσκευή αναπαραγωγής μουσικής που διαθέτετε, συνδέστε το συνδετήρα 3,5mm στην υποδοχή ακουστικών της συσκευής αναπαραγωγής μουσικής. Αμέσως μετά μπορείτε να ακούσετε την αγαπημένη σας μουσική έχοντας διασφαλίσει ότι δεν θα χάσετε ποτέ κάποια κλήση από το κινητό σας τηλέφωνο που διαθέτει δυνατότητα Bluetooth.

Λάβετε υπόψη ότι όλα τα χειριστήρια στο BT325s προορίζονται αποκλειστικά για τον έλεγχο των κλήσεων στο κινητό σας τηλέφωνο. Ο έλεγχος της μουσικής, π.χ. έναρξη/διακοπή, παράβλεψη κομματιού προς τα εμπρός/πίσω, ένταση ήχου, κλπ., πρέπει να γίνεται από τη συσκευή αναπαραγωγής μουσικής.

Το Jabra BT325s είναι συμβατό με τις περισσότερες ανεξάρτητες συσκευές αναπαραγωγής μουσικής.

6 Πώς να...

Ακρόαση μουσικής

Συνδέστε το σταθερό καλώδιο 3,5mm στην ανεξάρτητη συσκευή αναπαραγωγής μουσικής. Δεν χρειάζεται να ανοίξετε το BT325s για να ακούσετε μουσική. Μπορείτε επίσης να αποσυνδέσετε τα ακουστικά και να τα τοποθετήσετε απευθείας στη συσκευή αναπαραγωγής μουσικής ως κανονικά ακουστικά.

Απάντηση σε κλήσεις

Αγγίξτε το κουμπί απάντησης/τερματισμού του BT325s για να απαντήσετε σε κάποια κλήση όταν κουδουνίζει το τηλέφωνο. Η ένταση της μουσικής θα μειωθεί αυτόματα όταν υπάρχει εισερχόμενη κλήση.

Τερματισμός κλήσης

Αγγίξτε το κουμπί απάντησης/τερματισμού για να τερματίσετε μια ενεργή κλήση. Η μουσική θα συνεχιστεί αυτόματα μετά την κλήση.

Απόρριψη κλήσεων*

Πατήστε το κουμπί απάντησης/τερματισμού όταν κουδουνίζει το τηλέφωνο για να απορρίψετε μια εισερχόμενη κλήση. Ανάλογα με τις ρυθμίσεις του τηλεφώνου σας, το άτομο που σας κάλεσε θα προωθηθεί στον τηλεφωνητή σας ή θα ακούσει σήμα κατελιημμένου.

Κλήση*

Όταν πραγματοποιείτε κλήση από το κινητό σας τηλέφωνο, η κλήση θα μεταφερθεί αυτόματα (ανάλογα με τις ρυθμίσεις του τηλεφώνου) στο BT325s, εφόσον είναι συνδεδεμένο.

Ενεργοποίηση φωνητικών κλήσεων*

Αγγίξτε το κουμπί απάντησης/τερματισμού και πείτε το όνομα. Για καλύτερα αποτελέσματα, κάντε την εγγραφή του ονόματος για φωνητική κλήση όταν φοράτε το BT325s. Για περισσότερες πληροφορίες σχετικά με τη χρήση αυτής της λειτουργίας, ανατρέξτε στις οδηγίες χρήσης του τηλεφώνου σας.

Επανάκληση του τελευταίου αριθμού*

Πατήστε το κουμπί απάντησης/τερματισμού.

ενεργοποιήστε την αναμονή κλήσης και να θέσετε μια κλήση σε αναμονή*

Έτσι έχετε τη δυνατότητα να θέσετε μια κλήση σε αναμονή κατά τη διάρκεια μιας συνομιλίας για να απαντήσετε μια εισερχόμενη κλήση.

- **Πατήστε** το κουμπί απάντησης/τερματισμού μια φορά για να θέσετε την ενεργή κλήση σε αναμονή και να απαντήσετε την εισερχόμενη κλήση
- **Πατήστε** το κουμπί απάντησης/τερματισμού για να αλλάξετε μεταξύ των δυο κλήσεων
- **Πατήστε** το κουμπί απάντησης/τερματισμού για να τερματίσετε την ενεργή συνομιλία

Ρυθμίστε τον ήχο και την ένταση του ήχου

Πατήστε το κουμπί αύξησης ή μείωσης της έντασης του ήχου (+ ή -) για να ρυθμίσετε την ένταση του ήχου. **(Δείτε την Εικόνα 1)**

* εξαρτάται από το τηλέφωνο

7 Αλλαγή των ακουστικών Jabra

Για να αντικαταστήσετε τα ακουστικά Jabra με το σετ που προτιμάτε, απλώς συνδέστε το συνδετήρα των ακουστικών στην υποδοχή ακουστικών του Jabra BT325s.

Αν χρησιμοποιείτε διαφορετικό σετ ακουστικών από το παρεχόμενο μοντέλο Jabra, να έχετε υπόψη σας ότι τυχόν διαφορές στη σύνθετη αντίσταση και ευαισθησία μπορεί να περιορίσουν ή να αυξήσουν τη μέγιστη ένταση του ήχου. Για βέλτιστη απόδοση, προτίεται τιμή σύνθετης αντίστασης 16Ω. Ωστόσο, να είστε πάντα ιδιαίτερα προσεκτικοί όταν χρησιμοποιείτε διαφορετικά ακουστικά κεφαλής από το γνήσιο μοντέλο Jabra.

8 Τι σημαίνουν τα φώτα

Τι βλέπετε	Τι σημαίνει αυτό στο ακουστικό σας
Αναβοσβήνει με μπλε φως	Αναβοσβήνει κάθε δευτερόλεπτο: ενεργό κατά τη διάρκεια της κλήσης
Αναβοσβήνει με μπλε φως	Αναβοσβήνει κάθε τρία δευτερόλεπτα: σε κατάσταση αναμονής
Αναβοσβήνει με κόκκινο φως	Τελειώνει η μπαταρία
Σταθερό κόκκινο φως	Φορτίζει
Σταθερό πράσινο φως	Πλήρως φορτισμένο
Σταθερό μπλε φως	Σε τρόπο λειτουργίας ζεύξης - βλέπε ενότητα 3

9 Αντιμετώπιση προβλημάτων και FAQ

Υπάρχουν διακοπές στον ήχο

Η τεχνολογία Bluetooth είναι ραδιοτεχνολογία, πράγμα που σημαίνει ότι επηρεάζεται από την παρουσία αντικειμένων μεταξύ της συσκευής ακουστικού-μικροφώνου κεφαλής και της συνδεδεμένης συσκευής. Θα πρέπει να διατηρείτε απόσταση περίπου 10 μέτρων (33 ποδιών) μεταξύ της συσκευής ακουστικού-μικροφώνου κεφαλής και της συνδεδεμένης συσκευής όταν δεν μεσολαβούν μεγάλα αντικείμενα (τοίχοι, κλπ.).

Δεν ακούγεται η τηλεφωνική κλήση στο ακουστικό

Αυξήστε την ένταση του ήχου στο BT325s.

Σιγουρευτείτε ότι τα ακουστικά είναι συνδεδεμένα στο τηλέφωνό σας. Βεβαιωθείτε ότι το τηλέφωνό σας είναι συνδεδεμένο στο ακουστικό από το μενού του τηλεφώνου ή πατώντας το πλήκτρο έναρξης/τερματισμού στο BT325s.

Αντιμετωπίζω προβλήματα με τη σύνδεση των δύο συσκευών

Ίσως έχετε διαγράψει τη σύνδεση των δύο συσκευών στο κινητό σας τηλέφωνο – ακολουθήστε τις σχετικές οδηγίες που αναφέρονται στο κεφάλαιο 3.

Δεν μπορώ να πραγματοποιήσω απόρριψη κλήσης, αναμονή κλήσης, επανάκληση ή φωνητική κλήση

Οι λειτουργίες αυτές εξαρτώνται από το προφίλ του τηλεφώνου σας για υποστήριξη Bluetooth με δυνατότητα handsfree, οπότε θα πρέπει να ανατρέξετε στις οδηγίες χρήσης του τηλεφώνου σας για σχετικές λεπτομέρειες.

Δεν ακούγεται η μουσική από το ακουστικό

Αυξήστε την ένταση στη μουσική συσκευή σας.

Βεβαιωθείτε ότι τα ακουστικά είναι σωστά συνδεδεμένα στο BT325s

Βεβαιωθείτε ότι το BT325s είναι συνδεδεμένο με τη θύρα 3.5 mm της μουσικής συσκευής. Βεβαιωθείτε ότι το BT325s είναι φορτισμένο (δεν είναι απαραίτητο η συσκευή να είναι ενεργοποιημένη, αλλά πρέπει να είναι φορτισμένη)

Εάν η μπαταρία του BT325s είναι αποφορτισμένη και δεν υπάρχει δυνατότητα επαναφόρτισης, μπορείτε να συνδέσετε τα ακουστικά απ' ευθείας στη μουσική συσκευή.

Δεν μπορώ να ελέγξω την ένταση της μουσικής από τον ρυθμιστή έντασης ήχου στο BT325s

Ο ρυθμιστής έντασης ήχου και το πλήκτρο έναρξης/τερματισμού χρησιμεύουν αποκλειστικά για τον έλεγχο κλήσης.

Θέλω η μουσική να σταματάει κατά τη διάρκεια της συνομιλίας

Η μουσική θα συνεχίσει να ακούγεται κατά τη διάρκεια της συνομιλίας. Εάν θέλετε να σταματήσει η μουσική, πιέστε το πλήκτρο παύσης/τερματισμού στη μουσική σας συσκευή.

10 Χρειάζεστε περισσότερη βοήθεια;

Η Jabra παρέχει online υποστήριξη πελατών στο www.jabra.com ή μπορείτε να δείτε το εσωτερικό του εξώφυλλου για τις λεπτομέρειες υποστήριξης για τη χώρα σας.

11 Φροντίδα του ακουστικού

- Να φυλάτε πάντα το Jabra BT325s σβηστό και προστατευμένο.
- Να αποφεύγετε τη φύλαξη σε χώρους με υπερβολικές θερμοκρασίες (υψηλότερα από 45°C, συμπεριλαμβανομένης και της έκθεσης σε άμεσο ηλιακό φως, ή χαμηλότερα από -10°C). Ενδέχεται να μειωθεί η διάρκεια ζωής της μπαταρίας και να επηρεαστεί η λειτουργία. Οι υψηλές θερμοκρασίες μπορεί να μειώσουν την απόδοση.
- Αν η συσκευή έρθει σε επαφή με νερό ή άλλα υγρά, θα πρέπει να την σκουπίσετε καλά ώστε να μην μείνει ίχνος νερού.

12 Εγγύηση

Η Jabra (GN Netcom) καλύπτει τη συσκευή αυτή με εγγύηση για οποιοδήποτε ελάττωμα στο υλικό και στην εργασία για μια περίοδο δύο ετών από την ημερομηνία πρώτης αγοράς. Οι όροι της εγγύησης και οι ευθύνες της εταιρείας στα πλαίσια της εγγύησης αυτής είναι ως εξής:

- Η εγγύηση περιορίζεται στον αρχικό αγοραστή
- Απαιτείται αντίγραφο της απόδειξης αγοράς.
- Η εγγύηση καθίσταται άκυρη εάν η ετικέτα με το σειριακό αριθμό, η ετικέτα με τον κωδικό ημερομηνίας ή η ετικέτα προϊόντος αφαιρεθεί ή εάν η συσκευή υποβληθεί σε κακή χρήση, εσφαλμένη εγκατάσταση, τροποποίηση ή επισκευή από μη εξουσιοδοτημένους τρίτους
- Η ευθύνη της Jabra (GN Netcom) για τα προϊόντα της περιορίζεται στην επισκευή ή την αντικατάστασή τους, κατά την απόλυτη κρίση της
- Τυχόν έμμεσες εγγυήσεις για τα προϊόντα της Jabra (GN Netcom) περιορίζονται σε διάρκεια δύο ετών από την ημερομηνία αγοράς για όλα τα παρελκόμενα, συμπεριλαμβανομένων των καλωδίων και των συνδέσμων
- Ειδικότερα, εξαιρούνται όλων των εγγυήσεων τα αναλώσιμα μέρη περιορισμένης διάρκειας ζωής τα οποία υπόκεινται σε φυσιολογική φθορά, όπως π.χ. οι διατάξεις προστασίας μικροφώνων, τα αφρολέξ για το αυτί, τα διακοσμητικά μέρη, οι μπαταρίες και άλλα παρελκόμενα
- Η Jabra (GN Netcom) δε φέρει καμία ευθύνη για τυχόν συμπτωματική ή παρεπόμενη ζημία που οφείλεται στην κανονική ή κακή χρήση οποιοδήποτε προϊόντος της
- Η εγγύηση αυτή σας παρέχει συγκεκριμένα δικαιώματα, αλλά ενδέχεται να έχετε και άλλα δικαιώματα τα οποία διαφέρουν από περιοχί σε περιοχί

- Ο χρήστης σε καμία περίπτωση δεν επιτρέπεται να εκτελεί εργασίες συντήρησης, ρύθμισης ή επισκευής στη συσκευή αυτή, είτε στα πλαίσια της εγγύησης είτε εκτός αυτής, παρά μόνον εάν αναφέρεται διαφορετικά στο Εγχειρίδιο χρήσης. Για την εκτέλεση όλων των ανωτέρω εργασιών, η συσκευή πρέπει να παραδίδεται στο κατάστημα αγοράς, στο εργοστάσιο κατασκευής ή σε εξουσιοδοτημένο κέντρο σέρβις
- Η Jabra (GN Netcom) δεν αναλαμβάνει καμία ευθύνη για τυχόν ζημίες που θα λάβουν χώρα κατά την αποστολή. Τυχόν εργασίες επισκευής προϊόντων της Jabra (GN Netcom) από μη εξουσιοδοτημένους τρίτους θα καταστήσουν κάθε εγγύηση άκυρη

13 Εγκρίσεις πιστοποίησης και ασφάλειας

CE

Η συσκευή αυτή φέρει τη σήμανση CE σύμφωνα με τις διατάξεις της Οδηγίας 1999/5/EOK περί τερματικού ραδιοφωνικού και τηλεπικοινωνιακού εξοπλισμού (R&TTE).

Με το παρόν, η GN Netcom δηλώνει υπεύθυνα ότι αυτή η συσκευή συμμορφούται με τις ουσιώδεις απαιτήσεις και άλλες σχετικές διατάξεις της Οδηγίας 1999/5/EOK.

Για περισσότερες πληροφορίες, επισκεφθείτε τη διεύθυνση <http://www.jabra.com> στο Διαδίκτυο.

Εντός της Ε.Ε., αυτή η συσκευή προορίζεται για χρήση στην Αυστρία, το Βέλγιο, την Κύπρο, τη Δημοκρατία της Τσεχίας, τη Δανία, την Εσθονία, τη Φινλανδία, τη Γαλλία, τη Γερμανία, την Ελλάδα, την Ουγγαρία, την Ιρλανδία, την Ιταλία, τη Λετονία, τη Λιθουανία, το Λουξεμβούργο, τη Μάλτα, την Πολωνία, την Πορτογαλία, τη Σλοβακία, τη Σλοβενία, την Ισπανία, τη Σουηδία, την Ολλανδία, το Ηνωμένο Βασίλειο και, στις χώρες της Ε.Ζ.Ε.Σ., στην Ισλανδία, τη Νορβηγία και την Ελβετία

Bluetooth

Το σήμα και τα λογότυπα Bluetooth® ανήκουν στην Bluetooth SIG, Inc. και κάθε χρήση τους από την GN Netcom γίνεται κατόπιν ειδικής αδείας. Οι υπόλοιπες εμπορικές ονομασίες ανήκουν στους αντίστοιχους κατόχους τους.

14 Γλωσσάρι

- 1 Bluetooth:** Τεχνολογία ραδιοσυχνοτήτων που συνδέει συσκευές, όπως κινητά τηλέφωνα και ακουστικά σε μικρή απόσταση (περίπου 10 μέτρα), χωρίς τη χρήση καλωδίων. Περισσότερες πληροφορίες υπάρχουν στην διαδικτυακή τοποθεσία www.bluetooth.com.
- 2 Προφίλ Bluetooth:** Οι διάφοροι τρόποι με τους οποίους μια συσκευή Bluetooth επικοινωνεί με άλλες συσκευές. Τα τηλέφωνα Bluetooth υποστηρίζουν το προφίλ ακουστικού, το προφίλ hands-free ή και τα δύο. Για την υποστήριξη ενός συγκεκριμένου προφίλ, ο κατασκευαστής του τηλεφώνου θα πρέπει υποχρεωτικά να ενσωματώσει ορισμένα στοιχεία στο λογισμικό του τηλεφώνου.
- 3 Ζεύξη:** Δημιουργεί μια μοναδική, κρυπτογραφημένη σύνδεση μεταξύ δύο συσκευών Bluetooth, επιτρέποντας την επικοινωνία μεταξύ τους. Οι συσκευές Bluetooth δεν λειτουργούν εάν δεν έχουν συζευχθεί.
- 4 Κωδικός ή PIN:** Ο κωδικός που πληκτρολογείτε στο κινητό τηλέφωνο, προκειμένου να συζευχθεί με το Jabra BT325s. Έτσι το τηλέφωνο και το Jabra BT325s αναγνωρίζονται μεταξύ τους και συνεργάζονται αυτόματα.
- 5 Κατάσταση αναμονής:** Όταν το Jabra BT325s αναμένει κάποια κλήση. Όταν "τερματίζετε" μια κλήση στο κινητό σας τηλέφωνο, το ακουστικό περνά σε κατάσταση αναμονής.

