

# Hands-free Car Kit

Parrot 3200 LS-COLOR PLUS  
User manual



For *Bluetooth*®  
Mobile Phone

ENG CES POL PYC



## Parrot 3200 LS-COLOR PLUS

English  
Česky  
Polski  
Русский

.....  
.....  
.....  
.....

07-20  
21-34  
35-48  
49-62



[www.parrot.com](http://www.parrot.com)

## **GENERAL INFORMATION**

---

## SAFETY INFORMATION

### FCC COMPLIANCE STATEMENT

This device complies with part 15 of the FCC rules.

Operation is subject to the following two conditions:

- (1) this device may not cause harmful interference, and
- (2) this device must accept any interference received, including interference that may cause undesired operation.

*Note: The manufacturer is not responsible for any radio or tv interference caused by unauthorized modifications to this equipment. Such modifications could void the user's authority to operate the equipment.*

### DECLARATION OF CONFORMITY



We, Parrot S.A. of 174 quai de Jemmapes, 75010 Paris, France, declare under our sole responsibility that our product, the Parrot 3200 LS-COLOR PLUS to which this declaration relates is in conformity with appropriate standards EN300328, EN301489-1, EN60950 following the provision of Radio Equipment and Telecommunication Equipment directive, with requirements covering EMC directive 89/336/EEC and Low Voltage directive 73/23/EEC.

### CORRECT DISPOSAL OF THIS PRODUCT (WASTE ELECTRICAL & ELECTRONIC EQUIPMENT)

(Applicable in the European Union and other European countries with separate collection systems). This marking shown on the product or its literature, indicates that it should not be disposed with other household wastes at the end of its working life. To prevent possible harm to the environment or human health from uncontrolled waste disposal, please separate this from other types of wastes and recycle it responsibly to promote the sustainable reuse of material resources. Household users should contact either the retailer where they purchased this product,

or their local government office, for details of where and how they can take this item for environmentally safe recycling. Business users should contract their supplier and the terms and conditions of the purchase contract. This product should not be mixed with other commercial wastes for disposal.

### PROTECTION AND PERSONAL SAFETY

Carefully read the user guide and follow the indicated procedure when setting up the device.

Do not dismantle or open the device and do not touch the electronic components or the drivers.

Do not attempt to dismantle or modify either of the speakers. Never introduce any metal object to avoid the risks of electric shocks, fire, short circuits or dangerous emissions. If your device shows signs of faulty operation, call the approved Parrot technical support centre or an approved retailer.

Never leave the Parrot 3200 LS-COLOR PLUS speakers exposed to rain or chemical products; do not place them in a damp area or where they are likely to be splashed with water.

Never place your device on a recipient containing any type of liquid, which might seep inside the device. Doing so will reduce the risks of electric shocks, short circuits, fire and injury.

### WARNING

The manufacturer Parrot S.A. and its affiliates should not be held liable towards end users or third parties to prejudice caused by misuse of the product, nor for usage that would be in violation of local traffic regulations and laws.

## DATA SECURITY

Parrot and its suppliers shall not be held liable for any lost data or any other damage resulting directly or indirectly from the use or malfunction of this product.

Parrot strives to provide the most up-to-date and comprehensive guides possible. It is our aim to provide you with a user-friendly, easy-to-understand guide to help you set up your new equipment and quickly become familiar with the various features. If your guide does not exactly match the product purchased, refer to our website ([www.parrot.com](http://www.parrot.com)) to obtain the very latest version of the guide.

## GENERAL INFORMATION

### COPYRIGHTS

Copyright © 2007 Parrot. All rights reserved. The total or even partial reproduction, transmission or storage of this guide in any form or by any process whatsoever (electronic, mechanical, photocopy, recording or otherwise) is strictly prohibited without prior consent from Parrot.

### REGISTERED TRADEMARKS

All the names and trademarks mentioned in this document are copyright-protected and are the property of their respective owners.

### MODIFICATIONS

The explanations and specifications in this guide are given for information purposes only and may be modified without prior notice. They are deemed to be correct at time of going to press. The utmost care has been taken when writing this guide, as part of the aim to provide you with accurate information. However, Parrot shall not be held responsible for any consequences arising from any errors or omissions in the guide, nor for any damage or accidental loss of data resulting directly or indirectly from the use of the information herein. Parrot reserves the right to amend or improve the product design or user guide without any restrictions and without any obligation to notify users.

As part of our ongoing concern to upgrade and improve our products, the product that you have purchased may differ slightly from the model described in this guide. If so, a later version of this guide might be available in electronic format at Parrot's website at [www.parrot.com](http://www.parrot.com).

**BLUETOOTH QD ID : B012189**

The *Bluetooth* word mark and logos are owned by the *Bluetooth* SIG, Inc. and any use of such marks by Parrot S.A. is under license. Other trademarks and trade names are those of their respective owners.

**PARROT 3200 LS-COLOR PLUS**  
**ENGLISH**



# CONTENTS

Introduction .....	10
Kit contents .....	11
Fitting	
• Car stereo with line-in jacks .....	11
• Car stereo with ISO connectors .....	11
• Car stereo without ISO connectors .....	11
• Fitting the kit's cable .....	11
• Checking the installation .....	11
Using line-in jacks .....	12
Using ISO connectors .....	12
Installing the Parrot 3200 LS-COLOR PLUS screen .....	13
Pairing with your mobile phone: Using for the first time .....	14
Features .....	15
Remove the Parrot 3200LS-COLOR PLUS display .....	15
Accessing the menus	
• Phonebook .....	17
• Calls .....	17
• Dial number .....	18
Settings	
• Contacts management .....	18
Voice recognition	
• Select voice recognition .....	18
• Keywords .....	18
• Paired devices .....	19
• Pair with phone .....	19
• Language .....	19
• Display .....	19
• Sound .....	19
• Automatic answer .....	20
• Information .....	20
Update .....	20
Hotline .....	20





## INTRODUCTION

The *Bluetooth* technology enables voice and data communications via a short-distance radio link. It allows several electronic devices to communicate with each other, particularly telephones and hands-free kits.

Parrot is drawing on its long years of experience in signal processing and voice recognition technology to introduce a hands-free kit offering superior audio quality during calls. The Parrot 3200 LS-COLOR PLUS benefits from the Beamforming technology through a double microphone built into the screen of the hands-free kit. This technology allows for greater call quality by means of improved noise reduction.

Thank you for buying a Parrot hands-free kit. With the Parrot 3200 LS-COLOR PLUS, you will be able to make telephone calls from your car while keeping your hands on the wheel. With its colour interface and customisable wallpaper, the Parrot 3200 LS-COLOR PLUS is the most user-friendly hands-free kit. It acts as a real extension of your mobile phone. Furthermore, you can take the Parrot 3200 LS-COLOR PLUS screen with you when you leave your vehicle.



## KIT CONTENTS

- Colour LCD screen
- Installation cable
- Electronic control unit
- Directions for use
- Fitting accessories

## FITTING

First of all, choose the place for the colour screen inside your vehicle. We would advise you to fit it in the centre of the dashboard or near you.

Make sure that you can view the screen at a good angle and that it does not obstruct your view of the road. Once the hands-free kit is fully installed and switched on, you can adjust the screen's brightness. The installation cable is fitted with ISO connectors, as well as two line-out jacks for connecting to the car stereo's line-in jacks if applicable.

### Car stereo with line-in jacks:

Use this type of connection by wiring the brown and white wires (or red and black) to the car stereo's line-in jack and the yellow wire to the car stereo's mute jack.

### Car stereo with ISO connectors:

Disconnect the ISO connectors from your car stereo. Join the male ISO connectors of the kit's cable to the car stereo. Join the vehicle's ISO connectors to the female ISO connectors of the kit's cable. If the car stereo features a mute in jack, connect the yellow wire of the kit's cable to the corresponding «mute in» jack (Mute in 1, 2 or 3).

### Car stereo without ISO connectors:

An adapter cable is required to convert the specific connections into an ISO connector. As a result, installation will be the same as with an ISO connector. Parrot offers a range of ISO adapter cables. Visit our website at [www.parrot.com](http://www.parrot.com).

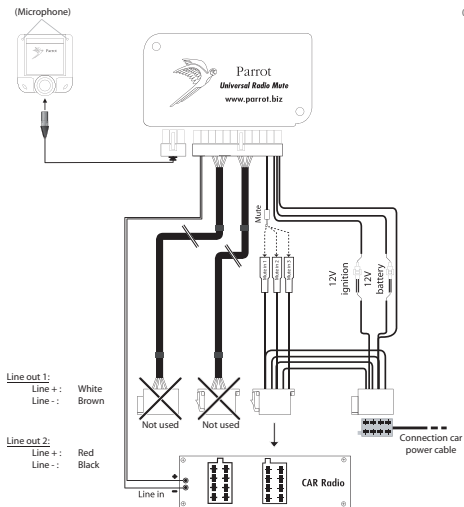
### Fitting the kit's cable:

Check the wiring diagram for the car stereo's ISO cable. The red wire of the kit's cable must be connected to the constant 12V supply, the orange wire to the ignition 12V and the black wire to ground. On some vehicles, the red and orange wires may need to be reversed. This can easily be done by reversing the two fuse holders. On other vehicles, the ignition 12V may be missing from the car stereo's connectors, meaning that you must connect the orange wire directly to an available ignition 12V source in the vehicle. Do not connect the orange wire to the constant 12V supply, as you could run down the vehicle's battery.

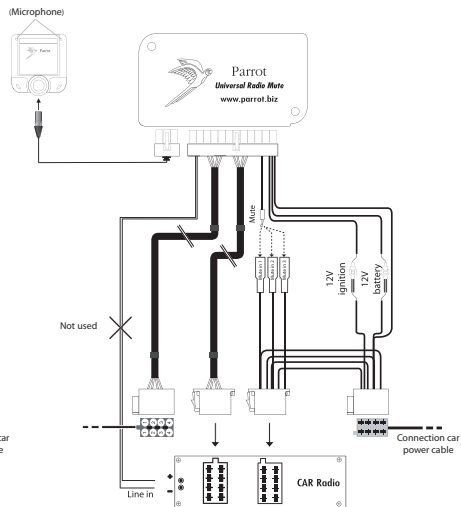
### Checking the installation:

If your Parrot 3200 LS-COLOR PLUS is correctly fitted, you should see the message «Goodbye» on the screen when you switch off your car's ignition.

## USING LINE-IN JACKS



## USING ISO CONNECTORS



- Loud speakers
- 1 - Rear right speaker (purple/purple-black)
  - 2 - Front right speaker (grey/grey-black)
  - 3 - Front left speaker (white/white-black)
  - 4 - Rear left speaker (green/green-black)

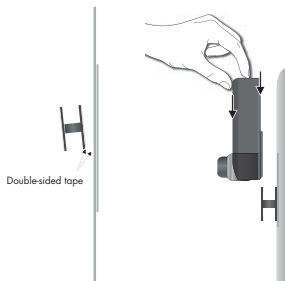
## INSTALLING THE PARROT 3200 LS-COLOR PLUS SCREEN

To guarantee optimal call quality, do not stick the screen directly on the dashboard.

Use one of the two brackets supplied.

The first bracket lets you place the screen against the dashboard.

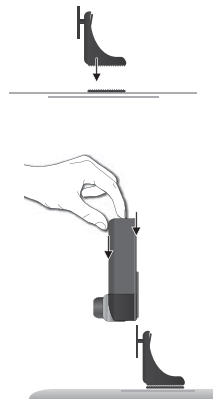
- Stick some double-sided tape on one of the flat sides of the bracket and some double-sided tape on the dashboard.
- Place the bracket on the dashboard.
- Then insert the screen into the bracket.



**IMPORTANT:** REMEMBER TO REMOVE YOUR SCREEN WHEN LEAVING THE VEHICLE TO AVOID TEMPTING ANY WOULD-BE THIEVES AND TO PREVENT PROLONGED EXPOSURE TO SUNLIGHT.

The second bracket lets you place the Parrot 3200 LS-COLOR PLUS screen higher up.

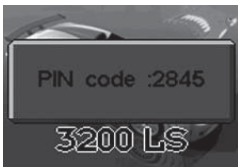
- Stick one of the Velcro strips on the bracket and the other strip on the dashboard.
- Place the bracket on the dashboard.
- Then insert the screen into the bracket.



## PAIRING WITH YOUR MOBILE PHONE: USING FOR THE FIRST TIME

The first time that you switch on the Parrot 3200 LS-COLOR PLUS, you must pair your mobile phone with the kit.

- . Enable the *Bluetooth* mode on your phone.
- . On the hands-free kit, scroll through the menus until you come to *Settings Pair with phone...*, and select the relevant option for your phone. A 4-digit PIN code then appears on screen. Memorise it.
- . Search for any peripherals: for further information on this procedure, refer to the *Bluetooth* chapter in your mobile phone's user guide or check out our website at : [www.parrot.com](http://www.parrot.com)
- . Once the search has finished, «Parrot 3200LS» is displayed on your phone.
- . Select the kit. Your phone prompts you to enter a code: key in the code shown on the kit screen and confirm on your phone.



- . The kit's screen displays «Pairing».
  - . Once the data has been exchanged, «pairing successful» appears on the Parrot 3200 LS-COLOR PLUS.
  - . The Parrot 3200 LS-COLOR PLUS then connects to your phone.
- When pairing the first phone with your Parrot 3200 LS-COLOR PLUS,

you will automatically be prompted to adjust the direction of the double microphone. Doing so will enable the kit to provide your callers with greater call quality. The following directions are available:

- Left: the driver is on the left of the hands-free kit.
- Centre: the driver is facing the hands-free kit.
- Right: the driver is on the right of the hands-free kit.
- No special direction: allows callers to hear both the driver and the passenger. Noise reduction is then less effective.

Subsequently, you can change this setting by going to the «Settings / Mic direction» menu.

Once the connection has been made, the *Bluetooth* logo is displayed on the screen (except for certain phones using the Headset profile).

Some phones offer additional features, such as displaying your phone's name on the kit's screen, as well as the battery and signal levels and the operator's name. Please refer to the Support heading on our website at [www.parrot.com](http://www.parrot.com) for details on your phone's features.

When your phone is connected to your hands-free kit, the menus of the Parrot 3200 LS-COLOR PLUS are available and their name is announced by the hands-free kit when you turn the scroll wheel. You can now access the menus and their name is announced by the hands-free kit when you turn the scroll wheel. Press the green button (or the scroll wheel) to access the menus, and press the red button to exit them.

You can now use your hands-free kit to make and receive calls.

- . Receiving a call: press the green button to answer the call.
- . Ending a call: press the red button.
- . Redial function: hold down the green key on the kit for two seconds to redial the last number dialled.
- . Adjusting the volume: turn the scroll wheel during a call to adjust the volume.

## FEATURES

The kit's screen displays your mobile phone's main information, in particular your phonebook.

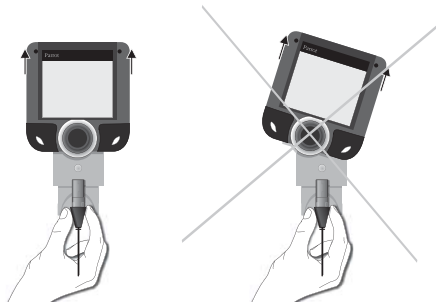
- Automatic downloading of your phonebook.
- Display of the caller's name and image.
- Contacts phoned using the kit's voice recognition feature.
- Car stereo muting during calls.
- Call records.
- Volume adjustment during calls.
- Dual call management.
- Automatic redial of the last caller.
- Wallpaper change.
- Brightness settings.
- Ringtone selection.
- Language setting.
- DTMF: when you receive a call from your message system, press the scroll wheel so that you can access the digits allowing you to manage your message.

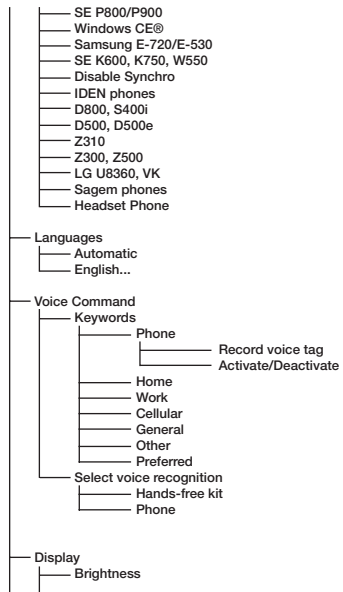
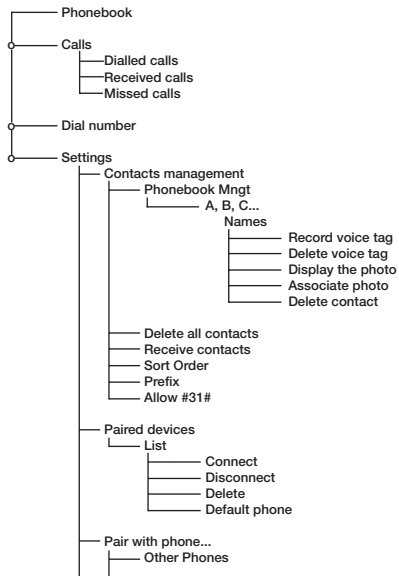


**NB:** The use of some of these functions (volume control and remote control) depends solely on your audio player. Visit the Support section on our website at [www.parrot.com](http://www.parrot.com) to find out more information.

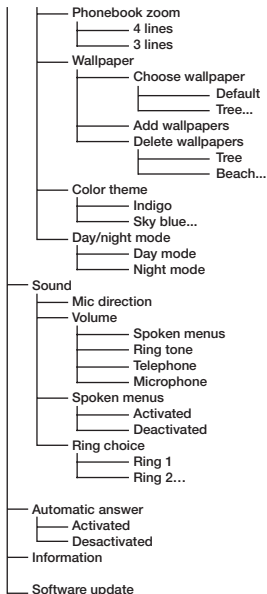
## REMOVE THE Parrot 3200LS-COLOR PLUS DISPLAY

- The Parrot 3200 LS-COLOR PLUS is equipped with a USB connector. You can remove your hands-free kit's screen when leaving the vehicle.
- It is important to switch off your vehicle's ignition and then wait until the Parrot 3200 LS-COLOR PLUS displays «Goodbye» before unplugging the screen from your hands-free kit. To remove the screen, you are advised to hold the cable of the Parrot 3200 LS-COLOR PLUS and then slide the screen vertically from its holder.









## ACCESSING THE MENUS

### PHONEBOOK

After pairing your phone with the Parrot 3200 LS-COLOR PLUS, synchronisation with your phonebook will begin automatically. Once the synchronisation process is complete, you can access your phonebook from the hands-free kit screen. To access your phonebook and call a contact, turn the scroll wheel to access the menus, then select Phonebook. Scroll through the letters until you reach the first letter of the relevant person's name and confirm. You will then see this person's name and the various phone numbers you have for them.

If your phone does not support the automatic phonebook synchronisation feature, you can send your contacts manually from the phone to the hands-free kit.

To benefit from the most up-to-date procedures, please refer to our website at [www.parrot.com](http://www.parrot.com).

*Note: the «Automatic phonebook synchronisation» and «Send contacts manually» features depend exclusively on your phone.*

*Refer to the Support heading on our website at [www.parrot.com](http://www.parrot.com) for further information.*

### CALLS

This menu option displays the list of calls and is divided into three sub-menus:

Missed Calls / Received Calls / Dialed Calls. It is automatically synchronised with your phone's call records and you can access them to call back a missed call.

- Select the contact from these menus.
- Press the scroll wheel or the green button to call the contact back.

*Note: the use of this feature depends exclusively on your phone. Refer to the Support heading on our website at [www.parrot.com](http://www.parrot.com) for further information.*

## DIAL NUMBER

Select this menu to dial a number directly via the kit.

- Turn and press the scroll wheel to select a digit.
- The trashcan icon deletes the last digit.
- Once the number has been dialled, press the green button to call.

## SETTINGS

This menu allows you to adjust the necessary settings to get the most out of your hands-free kit.

## CONTACTS MANAGEMENT

This menu enables you to manage contacts in the Parrot 3200 LS-COLOR PLUS. Once you have selected the contact from the list (which you access via the Phonebook management menu) you can record or delete a voiceprint, view or delete the photo, or delete the contact from the phonebook.

You can also receive a contact with the relevant photo (if supported by the phone) by selecting Receive contacts. Select on your phone the contact you want to send via *Bluetooth* to the hands-free kit. From then on, whenever this person calls you, his or her photo and name will appear on the kit screen.



You can also delete all the contacts in the kit or reverse the sort order from surname-first name to first name-surname

*Note: the use of certain features depends exclusively on your phone. Refer to the Support heading on our website at [www.parrot.com](http://www.parrot.com) for further information. You will also find the most up-to-date usage procedures for your phone.*

## VOICE RECOGNITION

### SELECT VOICE RECOGNITION

The Parrot 3200 LS-COLOR PLUS lets you use your phone's voice recognition feature if available. The Parrot 3200 LS-COLOR PLUS also lets you use its own voice recognition feature. Your phone must be capable of sending contacts to the hands-free kit to be able to use this feature. The car kit voice recognition feature is the most suitable in a car environment. We advise to set your car kit with this option.

- Hands-free kit: the selected voiceprints are those recorded in the memory of the hands-free kit.
- Phone : the selected voiceprints are those recorded in the memory of the phone.

### KEYWORDS

Keywords enable you to select the different types of phone number associated with your contact: work, home, mobile, and so on.

Recording keywords enables you to phone without taking your hands off the wheel. You can control the whole call with your voice.

All keywords must be recorded, so that they can be validated.

- To record the keywords, simply select the keyword that you wish to record.
- You are advised to record the keywords in a quiet setting, turn off your engine, close the windows and make sure that you

are in the driver's seat. Do not get close to the microphone of the Parrot Parrot 3200 LS-COLOR PLUS and remain in your normal driving position.

- The hands-free kit will prompt you to say the keyword. If the keyword is properly recorded, you will be asked to repeat the keyword.
- After recording a keyword, the Parrot 3200 LS-COLOR PLUS will automatically get ready to record the next keyword.

#### PAIRED DEVICES

The Parrot 3200 LS-COLOR PLUS lets you pair up to five *Bluetooth* phones, but bearing in mind that only one can be connected at any one time.

The Paired devices menu allows you to connect, disconnect or delete a phone from the kit's memory. From the Define default phone menu option, you can control the priority level given to the *Bluetooth* phone during connections with several phones in the car.

**Caution:** *Deleting a paired phone will clear any voiceprints attributed to the contacts on that phone.*

#### PAIR WITH PHONE

Before pairing your *Bluetooth* phone, you must enable the mode corresponding to your *Bluetooth* phone.

Once the relevant mode has been selected, a (random) 4-digit code appears. Start searching for *Bluetooth* peripherals from your phone. Once you have found the hands-free kit, select it and enter this code.

**Note:** *For greater compatibility with phones, new pairing modes are likely to be added to future versions.*

#### LANGUAGE

Select the language for displaying the menus on your Parrot 3200 LS-COLOR PLUS.

#### DISPLAY

Four options are available for customising the way in which information is displayed:

- Brightness : use the scroll wheel to obtain the required level and confirm by clicking the scroll wheel.
- Phonebook zoom: used to display the Phonebook menu over 3 or 4 lines.
- Wallpaper: allows you to select a wallpaper image.
- Color Theme: lets you select a colour theme.

#### SOUNDS

- Volume: use the scroll wheel to control the volume level of the call and the microphones' sensitivity.
- Spoken menus: adjust the volume of the hands-free kit's prompts to the required level.
- Ringtone: for phones that do not play a specific ringtone for incoming calls, select the ringtone that you wish to hear when you receive a call.
- Microphone direction: this menu lets you choose a specific direction for the double microphone and thereby ensure the very highest call quality for all your callers. The following directions are available:
  - Left: the driver is on the left of the hands-free kit.
  - Centre: the driver is facing the hands-free kit.
  - Right: the driver is on the right of the hands-free kit.
  - No special direction: allows callers to hear both the driver and the passenger. Noise reduction is then less effective.

#### AUTOMATIC ANSWER

Enable this mode if you want the Parrot 3200 LS-COLOR PLUS to automatically answer any incoming calls.

#### INFORMATION

This menu provides information on the version of the built-in software.

#### UPDATE

You can update the software version of your Parrot 3200 LS-COLOR PLUS by *Bluetooth*. Enable this mode before updating. The update is performed by *Bluetooth* from a computer equipped with *Bluetooth*.

Updating provides access to new features and improves compatibility with the advanced functions on an even wider range of phones.  
For further information, visit our website: [www.parrot.com](http://www.parrot.com).

#### HOTLINE

Our hotline is at your disposal. You can contact the hotline by email or telephone.

Open from Monday to Friday between 9 am and 6 pm (GMT+1).

- Italy : [+39] 02 86 39 14 63
- Spain : [+34] 902 404 202
- UK : [+44] (0)870 112 5872
- Germany : 0900 172 77 68
- USA : [+1] (877) 9 Parrot (toll free)
- China : [+86] (0)21 6460 1944
- Hong Kong : [+852] 2736 1169
- France : 01 48 03 60 69
- Europe : [+33] 1 48 03 60 69 (Spoken languages : French, English, Spanish and German).

Check out our website at [www.parrot.com](http://www.parrot.com) for further information.

**PARROT 3200 LS-COLOR PLUS**  
**ČESKY**



## OBSAH

Úvodem .....	24
Obsah Balení .....	25
Instalace	
• Autorádio se vstupu „Line in“ .....	25
• Autorádio s konektorem „ISO“ .....	25
• Autorádio bez „ISO“ konektorů .....	25
• Instalace kabelu soupravy hands free .....	25
• Kontrola instalace .....	25
Použití linko vého vstupu „Line“ .....	26
Použití „ISO“ konektorů .....	26
Instalace displeje přístroje Parrot 3200 LS-COLOR PLUS .....	27
Propojení soupravy hands free: S vaším mobilním telefonem .....	28
Funkce .....	28
Vyjmutí displeje .....	29
Přístup do menu	
• Kontakty (telefonní seznam) .....	31
• Výpis volání .....	31
• Vložení čísla .....	32
Oblíbené	
• Správa a řízení kontaktů .....	32
Hlasové ovládání	
• Výběr hlasového ovládání .....	32
• Klíčová slova .....	32
• Propojené přístroje .....	33
• Spárování telefonu .....	33
• Jazyk .....	33
• Zobrazování .....	33
• Zvuk .....	33
• Automatická odpověď .....	34
• Informace .....	34
Aktualizace .....	34
Horká linka .....	34



## ÚVODEM

Technologie *Bluetooth* umožňuje přenos zvukového signálu a dat pomocí rádiového spojení na krátkou vzdálenost. Umožňuje, aby řada elektronického příslušenství a zvláště pak telefony a soupravy hands free mezi sebou komunikovaly.

Parrot má dlouholeté zkušenosti v oblasti zpracování signálu a hlasového ovládání, a proto nabízí soupravu hands free s vyšší kvalitou reprodukce zvuku při telefonování. Součástí Parrot 3200 LS-COLOR PLUS je technologie Beamforming, používaná pomocí dvojitého mikrofону, který je vestavěný do displeje soupravy hands free. Tato technologie umožňuje vyšší kvalitu telefonické komunikace v důsledku kvalitnějšího potlačení šumů a akustického hluku.

Děkujeme, že jste si zakoupili soupravu hands free značky Parrot. Díky přístroji Parrot 3200 LS-COLOR PLUS můžete telefonovat z vozu, aniž byste museli spustit ruce z volantů.

Parrot Parrot 3200 LS-COLOR PLUS je nabízen v provedení s barevným rozhraním a s displejem s možností specifických úprav pozadí, a proto je jeho používání uživatelsky velmi příjemné. Funguje jako skutečné rozšíření vašeho mobilního telefonu. Další výhodou je, že displej systému Parrot 3200 LS-COLOR PLUS můžete vzít sebou při opuštění vozidla.





## OBSAH BALENÍ

- Barevný LCD displej
- Instalační kabel
- Elektronická řídicí jednotka
- Návod k použití
- Upínací držáky
- Mikrofon

## INSTALACE

Nejprve vyberte místo v kabině vozu, na které umístíte barevný displej. Radíme Vám, abyste jej umístili ve středové části přístrojové desky nebo v blízkosti místa řidiče.

Displej nesmí přímo dosedat na přístrojovou desku vozidla.

Zkontrolujte, zda na displej dobře vidíte a zda nebrání výhledu na vozovku. Po správném nainstalování a po zprovoznění můžete nastavit intenzitu osvětlení displeje.

Instalační kabel je vybavený konektory „ISO“ a 2 výstupy „Line out“ pro připojení na vstupy „Line in“ audio systému, pokud má k dispozici tuto opci.

### Autorádio se vstupy „Line in“

Tento typ připojení použijte tak, že připojíte hnědý a bílý vodič (nebo červený a černý) ke vstupu „Line in“ audio systému a žlutý vodič připojíte ke vstupu „Mute“ autorádia.

### Autorádio s konektorem „ISO“:

Odpojte konektory „ISO“ autorádia. Připojte nástrčky konektorů „ISO“ kabelu soupravy k autorádiu. Připojte konektory „ISO“ vozu do zástrček konektorů „ISO“ kabelu soupravy.

Je-li autorádio vybaveno vstupem „Mute“, připojte žlutý vodič kabelu soupravy k některému vstupu funkce „Mute“ („Mute in 1“, „Mute in 2“ nebo „Mute in 3“).

### Autorádio bez „ISO“ konektorů:

V takovém případě budete potřebovat specifický adaptační kabel, který umožní přestavbu specifických konektorů na konektory «ISO». Tímto způsobem docílíte stejné instalace jako v případě instalace s konektorem „ISO“. Parrot nabízí řadu adaptačních kabelů „ISO“. Informace najdete na našich webových stránkách: [www.parrot.com](http://www.parrot.com)

### Instalace kabelu soupravy hands free:

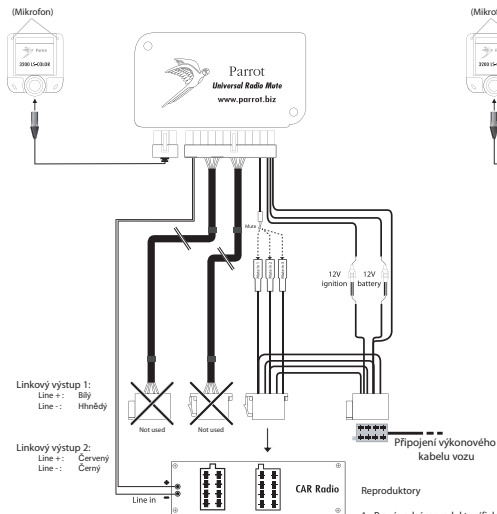
Zkontrolujte elektrické schéma elektrického svazku „ISO“ autorádia. Červený vodič napájecího kabelu soupravy musí být zapojen ke stálému zdroji napětí +12V, oranžový vodič musí být připojený ke zdroji napětí 12V, který se aktivuje po otočení klíčku ve spínací skřínce, černý vodič připojte na kostru. U některých vozidel je třeba zaměnit zapojení červeného a oranžového vodiče. Tato operace se provádí tak, že vzájemně zaměníte držáky pojistek.

U ostatních vozů chybí na konektorech autorádia přípojka ke zdroji napětí + 12 V, který se aktivuje po otočení klíčku ve spínací skřínce, proto je třeba připojit oranžový vodič přímo ke zdroji +12 V, který se aktivuje po otočení klíčku v zapalování a je k dispozici na vozidle. Oranžový vodič nezapojte ke stálému zdroji napětí 12 V, jinak hrozí nebezpečí vybití baterie vozu.

### Kontrola instalace:

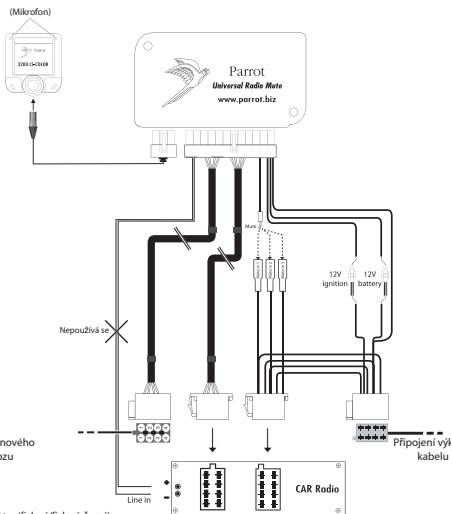
Pokud jste přístroj Parrot 3200 LS-COLOR PLUS správně nainstalovali, zobrazí se na displeji hlášení „Na shledanou“, jakmile vypnete zapalování vozu.

## POUŽITÍ LINKOVÉHO VSTUPU „LINE“



- 1 - Pravý zadní reproduktor (fialový/fialový-černý)
- 2 - Pravý přední reproduktor (šedý/šedý - černý)
- 3 - Levý přední reproduktor (bílý/bílý - černý)
- 4 - Levý zadní reproduktor (zelený/zelený-černý)

## POUŽITÍ „ISO“ KONEKTORŮ

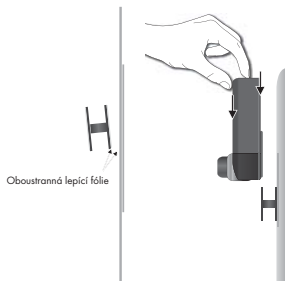


## INSTALACE DISPLEJE PŘÍSTROJE PARROT 3200 LS-COLOR PLUS

Aby bylo dosaženo optimální kvality komunikace, nelepte displej přímo na přístrojovou desku.

Pro osazení displeje použijte některý ze dvou přiložených držáků. První držák umožní osazení displeje na přístrojovou desku.

- Přilepte oboustrannou lepicí fólii na některou rovnou část držáku a druhou oboustrannou lepicí fólii na přístrojovou desku.
- Osadte držák na přístrojovou desku.
- Potom zasuňte displej do držáku.

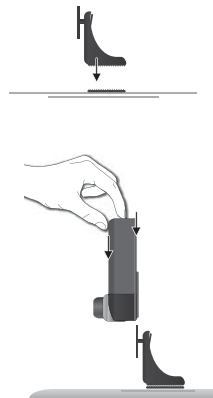


### DŮLEŽITÉ UPOZORNĚNÍ:

**PŘI OPOUŠTĚNÍ VOZIDLA NEZAPOMEŇTE DISPLEJ VE VOZE,  
ABYSTE ZABRÁNILI NEBEZPEČÍ ODCIZENÍ A DLOUHODOBĚMU VYSTAVENÍ  
DISPLEJE PŮSOBENÍ SLUNEČNÍCH PAPSŘKŮ**

Druhý držák umožňuje umožnit umístění displeje systému Parrot 3200 LS-COLOR PLUS do větší výšky.

- Přilepte jednu samolepicí pásku na držák a druhou na přístrojovou desku.
- Osadte držák na přístrojovou desku.
- Potom zasuňte displej do držáku.



## PROPOJENÍ SOUPRAVY HANDS FREE S VAŠÍM MOBILNÍM TELEFONEM:

Při prvním zapojení Parrot 3200 LS-COLOR PLUS musíte propojit váš mobilní telefon se soupravou hands free

- Na mobilním telefonu aktivujte funkci *Bluetooth*.
- Na soupravě hands free procházejte nabídková menu až k: Oblíbené, Propojení telefonu... a zvolte opci, která odpovídá vašemu telefonu. Na displeji se zobrazí čtyřmístný číselný PIN kód. Zapamatujte si jej.



- Spusťte vyhledávání periferních zařízení: Podrobnější informace o této operaci najdete v návodu k použití vašeho mobilního telefonu (kapitola funkce *Bluetooth*) nebo na našich webových stránkách: [www.parrot.com](http://www.parrot.com), rubrika „Uživatelské příručky“.
- Po skončení vyhledávání se na telefonu zobrazí hlášení „Parrot 32000 LS“.
- Zvolíte typ soupravy hands free, telefon vás požádá, abyste vložili kód: vložte kód zobrazený na displeji soupravy a potvrďte jej na vašem telefonu.
- Na displeji soupravy hands free se zobrazí hlášení „Propojení probíhá“.
- Po ukončení výměny dat se na displeji soupravy Parrot 3200 LS-COLOR PLUS zobrazí hlášení „Propojení bylo ukončeno“.
- Parrot 3200 LS-COLOR PLUS je tak připojený k vašemu mobilnímu telefonu.

Při propojování prvního mobilního telefonu s Parrot 3200 LS-COLOR PLUS budete automaticky požádáni o nasměrování dvojitého mikrofonu. Tato etapa umožní, aby souprava vysílala účastníkovi hovoru kvalitnější signál zvukové reprodukce. Máte k dispozici následující možnosti nasměrování:

- Nasměrování vlevo: Řidič se nachází po levé straně soupravy hands free
- Nasměrování na střed: Řidič se nachází proti soupravě hands free
- Nasměrování vpravo: Řidič se nachází po pravé straně soupravy hands free
- Žádné přednostní nasměrování: Účastník hovoru může slyšet řidiče i spolujezdce. V tomto případě je snížení akustického ruchu méně efektivní.

Dále má možnost změnit toto nastavení tak, že jdete do menu „Oblíbené/...“.

Po propojení se na displeji zobrazí logo Bluetooth (s výjimkou některých telefonů, které používají profil Headset).

Některé mobilní telefony nabízejí doplňkové funkce, jako například zobrazování názvu vašeho mobilního telefonu na displeji soupravy hands free, zobrazování intenzity signálu z mobilních sítí a stavu baterie a jméno vašeho operátora. Specifikaci funkcí vašeho mobilního telefonu najdete na našich webových stránkách [www.parrot.com](http://www.parrot.com), rubrika „Podpora“.

Po připojení mobilního telefonu k soupravě hands free máte přístup k nabídce menu Parrot 3200 LS-COLOR PLUS a po otočení kolečka souprava hands free ohlásí jejich název. Stisknutím zeleného tlačítka (nebo kolečka) získáte přístup do nabídkových menu. Pro ukončení stiskněte červené tlačítko.

## FUNKCE

Na displeji soupravy hands free se zobrazí hlavní informace o vašem mobilním telefonu a především adresář vašich kontaktů.

- Automatické stahování kontaktů z adresáře vašeho mobilního telefonu.
- Zobrazování jména a snímku volajících.
- Vytáčení kontaktů pomocí funkce hlasového ovládání na soupravě hands free.
- Vypínání autorádia během telefonického hovoru.
- Výpis volání.
- Nastavení hlasitosti zvuku během telefonického hovoru.
- Správa a řízení dvojího volání.
- Automatické opakované volání posledního účastníka hovoru.
- Změna pozadí displeje.
- Nastavení intenzity osvětlení displeje.
- Nastavení vyzvánění.
- Nastavení jazyka.
- DTMF(Dual-tone Multi Frekvency): při volání do vaší hlasové schránky stisknete kolečko pro přístup k číslům, která Vám umožňují správu a řízení vašich zpráv.

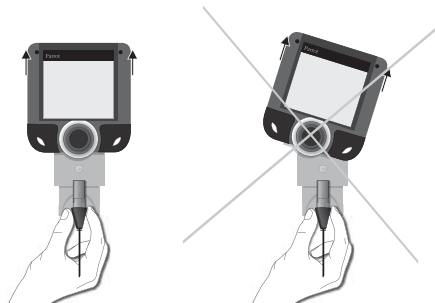


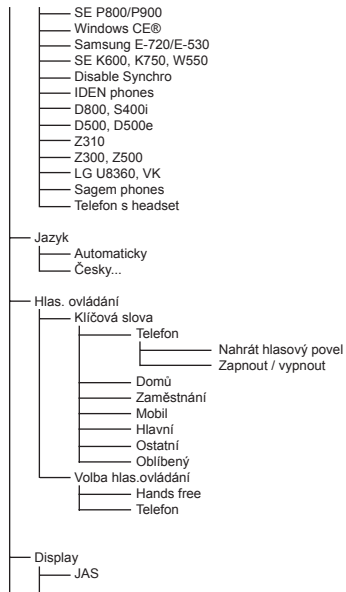
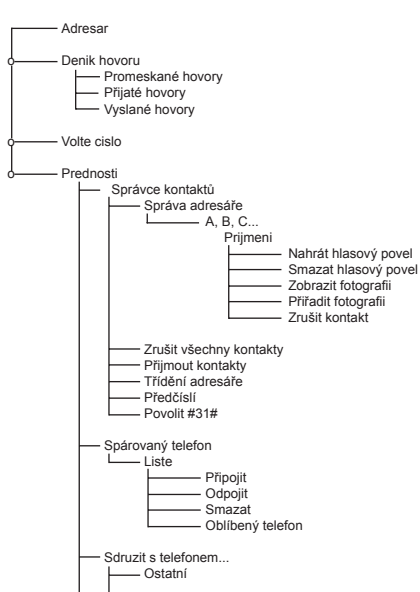
*Poznámka: Používání některých těchto funkcí („Hlasové ovládání“, „Opakované volání posledního čísla“, „Diskrétní režim“) závisí pouze na typu vašeho telefonu. Další informace najdete na našich webových stránkách [www.parrot.com](http://www.parrot.com), rubrika Podpora.*

## VYJMUTÍ DISPLEJE

Součástí výbavy Parrot 3200 LS-COLOR PLUS je konektor USB. Máte možnost vyjmout displej soupravy hands free při opuštění vozidla.

Je důležité vypnout motor vašeho vozu a potom vyčkat, dokud se na Parrot 3200 LS-COLOR PLUS nezobrazí hlášení „Na shledanou“. Teprve nyní je možno displej soupravy hands free vyjmout. Při vyjímání displeje doporučujeme přidržet kabel Parrot 3200 LS-COLOR PLUS a potom vytáhnout displej ve svislém směru z držáku.





	Zobrazení adresáře
	4 řádky
	3 řádky
	Pozadí displeje
	Zvolit pozadí displeje
	Pozadí displeje 1
	Pozadí displeje 2
	Přidat pozadí displeje
	Smazat pozadí displeje
	Arbre
	Plage...
	Barevné schéma
	Indigová modř
	Bleděmodrá...
	Denní/Noční režim
	Denní režim
	Noční režim
Zvuk	Nasměrování mikrofonu
	Hlasitost
	Mluvené meny
	Vyzvánění
	Telefon
	Mikrofon
	Mluvené meny
	Zapnout
	Vypnout
	Nastavení vyzvánění
	Vyzvánění 1
	Vyzvánění 2...
Automat. odpověď	Zapnout
	Vypnout
Informace	
Aktualizace softwaru	

## PŘÍSTUP DO MENU

### KONTAKTY (TELEFONNÍ SEZNAM)

Po propojení vašeho mobilního telefonu s Parrot 3200 LS-COLOR PLUS se automaticky spustí synchronizace vašeho telefonického seznamu. Po skončení synchronizace máte přístup k seznamu kontaktů ve vašem mobilním telefonu z displeje soupravy hands free. Pro přístup do telefonického seznamu z displeje soupravy hands free otáčejte kolečkem pro přístup do menu a potom zvolte nabídku „Seznam“.

Procházejte písmena abecedy, dokud se nezobrazí první písmeno jména volané osoby, potom potvrďte. Zobrazí se jméno volané osoby a jednotlivá telefonní čísla této osoby. Potom zvolte číslo telefonu, na které chcete volat.

Pokud váš telefon neumožňuje automatickou synchronizaci kontaktů, máte možnost odeslat vaše kontakty z telefonu do soupravy hands free v manuálním režimu. Abyste měli k dispozici aktualizované metodické postupy, vyhledejte naše webové stránky [www.parrot.com](http://www.parrot.com).

*Poznámka: Funkce „Automatická synchronizace kontaktů“ a „Odesílání kontaktů v manuálním režimu“ závisí pouze na modelu vašeho telefonu. Další informace najdete na našich webových stránkách [www.parrot.com](http://www.parrot.com), rubrika Podpora.*

### VÝPIS VOLÁNÍ

Tato rubrika zobrazuje seznam volání a dělí se na 3 podřazená menu: Zmeškané hovory / Přijaté hovory / Volané hovory.

Tato funkce se automaticky synchronizuje s menu vašeho mobilního telefonu a máte do ní přístup pro volání účastníka, jehož volání jste zmeškali.

- V těchto nabídkových menu zvolte kontakt.
- Pro volání zvoleného kontaktu stiskněte kolečko nebo zelené tlačítko.

*Poznámka: Používání této funkce závisí pouze na typu vašeho mobilního telefonu. Další informace najdete na našich webových stránkách [www.parrot.com](http://www.parrot.com), rubrika Podpora.*

### VLOŽENÍ ČÍSLA

Toto menu zvolte pro vytáčení čísla přímo na soupravě hands free

- Pro zvolení číslice stiskněte vroubkované kolečko.
- Ikonka koše slouží k mazání poslední číslice.
- Po vymačkání čísla stiskněte zelené tlačítko pro potvrzení.

### OBLÍBENÉ

Toto menu umožňuje nastavení parametrů, které jsou potřebné pro efektivnější používání vaší soupravy hands free.

### SPRÁVA A ŘÍZENÍ KONTAKTŮ

Toto menu slouží ke správě a řízení kontaktů přístroje Parrot 3200 LS-COLOR PLUS. Po zvolení kontaktu v seznamu (nastavte menu „Správa a řízení kontaktů“) můžete nahrát nebo zrušit hlasový povel, zobrazit nebo smazat fotografii, nebo tento kontakt vymazat ze seznamu.

Pro příjem kontaktu s příloženou fotografií (pokud Váš mobilní telefon podporuje tuto funkci) zvolte funkci «Přijmout kontakt». Na vašem mobilním telefonu zvolte kontakt, který chcete odeslat pomocí technologie Bluetooth do soupravy hands free. Pokud vás tato osoba bude volat, zobrazí se na displeji soupravy hands free její fotografie a jméno. Máte rovněž možnost zaměnit pořadí výběru: příjmení-jméno na jméno-příjmení.



*Poznámka: Používání některých funkcí závisí pouze na typu vašeho mobilního telefonu. Další informace najdete na našich webových stránkách [www.parrot.com](http://www.parrot.com), rubrika Podpora. Na těchto stránkách najdete rovněž aktualizované uživatelské návody a metodické postupy pro váš telefon.*

### HLASOVÉ OVLÁDÁNÍ

#### VÝBĚR HLASOVÉHO OVLÁDÁNÍ

Parrot 3200 LS-COLOR PLUS umožňuje používat hlasové ovládání vašeho mobilního telefonu, pokud je vybavený touto funkcí.

Parrot 3200 LS-COLOR PLUS rovněž umožňuje používání hlasového ovládání, které je součástí jeho vybavy. Váš mobilní telefon musí být schopen odesílat kontakty do soupravy hands free, abyste mohli používat tuto funkci. Funkce hlasového ovládání soupravy hands free je lépe uzpůsobená pro používání ve vozidle, proto vám radíme, abyste nastavili parametry na vašem hands free.

- Hlasové příkazy v soupravě hands free automobilu: zvolené hlasové příkazy jsou pokyny, které jste uložili do paměti soupravy hands free.

- Hlasové příkazy v mobilním telefonu: zvolené hlasové příkazy jsou pokyny, které jste uložili do paměti vašeho mobilního telefonu.

#### KLIČOVÁ SLOVA

Klíčová slova umožní výběr mezi různými čísly telefonu, která jste přiřadili k vašemu kontaktu: práce, domů, mobil, atd.

Nahrání klíčových slov vám umožní telefonovat, aniž byste museli pouštět volant řízení vozidla.

Celý proces telefonického hovoru můžete ovládat hlasem.

Všechna klíčová slova je třeba nahrát, abyste je mohli potvrdit.



- Pro nahrání klíčových slov stačí vybrat klíčové slovo, které chcete nahrát.
- Doporučujeme nahrát klíčová slova na klidném místě, vypnout motor vozu, zavřít okna a sedět na místě řidiče. Nepřibližujte se k mikrofonu Parrot 3200 LS-COLOR PLUS a sedte v poloze jako při řízení vozu.
- Souprava hands free vás nyní požádá, abyste vyslovili klíčové slovo. Je-li hlasový záznam platný, souprava hands free vás opakovaně vyzve, abyste zopakovali toto klíčové slovo.
- Po nahrání klíčového slova Parrot 3200 LS-COLOR PLUS automaticky přejde k nahrávání následujícího klíčového slova.

#### PROPOJENÉ PŘÍSTROJE

Parrot 3200 LS-COLOR PLUS umožňuje připojení až 5 telefonů s funkcí *Bluetooth*, přičemž během jednoho hovoru může být připojen pouze jeden telefonický aparát.

Menu „Propojené přístroje“ umožňuje zapojení, odpojení nebo vymazání mobilního telefonu z paměti soupravy hands free.

Z menu „Nastavit oblíbený telefon“ můžete kontrolovat prioritu, kterou jste přidělili určitému telefonu s funkcí *Bluetooth*, je-li hands free propojeno s několika mobilními telefony, které jsou přítomné ve vozidle.

#### Důležité upozornění:

*Při zrušení některého propojení ztratíte všechny hlasové příkazy přiřazené ke kontaktům tohoto mobilního telefonu.*

#### SPÁROVÁNÍ TELEFONU

Před spárováním vašeho mobilního telefonu *Bluetooth* musíte aktivovat režim odpovídající vašemu mobilnímu telefonu s funkcí *Bluetooth*.

Po nastavení režimu se zobrazí (namátkový) čtyřmístný číselný kód. Na vašem mobilním telefonu spusťte vyhledávání periferních zařízení s technologií *Bluetooth*.  
Jakmile telefon najde soupravu hands free, zvolte ji a vložte kód.

*Poznámka: Pro zajištění lepší kompatibility s mobilními telefony budou do dalších verzí přidány nové režimy spárování.*

#### JAZYK

Zvolte jazyk, v němž se budou zobrazovat menu na vašem Parrot 3200 LS-COLOR PLUS.

#### ZOBRAZOVÁNÍ

5 nabídek, které umožňují nastavení specifického zobrazování informací:

- Intenzita osvětlení: Požadovanou intenzitu osvětlení nastavte otáčením kolečka a potvrďte kliknutím na kolečko.
- Zoom Seznam: Umožňuje 3 nebo 4-řádkové zobrazování informací v menu „Seznam“.
- Pozadí displeje: Tato funkce umožňuje vložení obrázku jako pozadí displeje.
- Téma: Odpovídá nastavení barevného tématu.

#### ZVUK

- Hlasitost: Pro nastavení hlasitosti telefonického hovoru a hladiny citlivosti mikrofonů používejte vroubkované kolečko.
- Hlasová menu: Nastavte hlasitost příkazů hands free na požadovanou hladinu.
- Výběr vyzvánění: U telefonů, které při příchozím hovoru nevyzvánějí, zvolte vyzvánění, které chcete slyšet, volá-li vás některý účastník.
- Nasměrování mikrofonu: Toto menu umožňuje upřednostnit nasměrování dvojitého mikrofonu mezi možnými nasměrováními a umožnit, aby účastník hovoru na druhé straně přijímal kvalitnější reprodukci zvuku. Máte k dispozici následující možnosti nasměrování:
  - Nasměrování vlevo: Řidič se nachází po levé straně soupravy hands free
  - Nasměrování na střed: Řidič se nachází proti soupravě hands free
  - Nasměrování vpravo: Řidič se nachází po pravé straně soupravy hands free
  - Žádné přednostní nasměrování: Účastník hovoru může slyšet řidiče i spolujezdcu. V tomto případě je snížení akustického ruchu méně efektivní.

#### AUTOMATICKÁ ODPOVĚĎ

Tento režim aktivujte, pokud si přejete, aby Parrot 3200 LS-COLOR PLUS automaticky přijímal příchozí hovory.

#### INFORMACE

Toto menu umožňuje, aby uživatel mohl konzultovat informace o nahrané softwarové verzi.

#### AKTUALIZACE

Verzi softwarové aplikace vašeho Parrot 3200 LS-COLOR PLUS můžete aktualizovat pomocí *Bluetooth*. Před spuštěním aktualizace je třeba tento režim aktivovat.

Aktualizace proběhne přes *Bluetooth* pomocí počítače, který je vybavený technologií *Bluetooth*.

Aktualizace umožňuje používání nových funkcí a slouží ke zlepšení kompatibility s pokročilými funkcemi u většího počtu telefonů.

Další informace najdete na našich webových stránkách: [www.parrot.com](http://www.parrot.com)

#### HORKÁ LINKA

Naše horká linka je vám plně k dispozici.

Můžete ji kontaktovat telefonicky nebo e-mailem.

Stálá služba pondělí až pátek od 9,00 do 18,00 hodin (GMT + 1).

Další informace najdete na našich webových stránkách [www.parrot.com](http://www.parrot.com).

Evropa : [+33] 1 48 03 60 69

Francie : 01 48 03 60 69

Itálie : [+39] 02 86 39 14 63

Španělsko : [+34] 902 404 202

Velká Británie : [+ 44] (0) 870 112 5872

Německo : 0900 172 77 68

USA : [+1] (877) 9 PARROT (bez poplatků)

Čína : [+86] (0) 2164 601 944

**PARROT 3200 LS-COLOR PLUS**  
**POLSKI**



## SPIS TREŚCI

Wstęp .....	38
Zawartość opakowania .....	39
Montaż .....	
• Radioodtworacz z wejściami „line in” .....	39
• Radioodbiornik z gniazdem „ISO” .....	39
• Radioodtworacz bez gniazda „ISO” .....	39
• Montaż kabla zestawu .....	39
• Sprawdzenie montażu .....	39
Użycie wejścia „Line» .....	40
Użycie gniazd ISO .....	40
Instalacja wyświetlacza Parrot 3200 LS-COLOR PLUS .....	41
Sparowanie z telefonem: Użycie zestawu po raz pierwszy .....	42
Funkcje .....	43
Zdejmowanie wyświetlacza .....	43
Dostęp do menu .....	
• Książka telefoniczna .....	45
• Lista połączeń .....	45
• Wybieranie numeru .....	46
Preferencje .....	
• Zarządzanie kontaktami .....	46
Wybieranie głosowe .....	
• Wybór wybierania głosowego .....	46
• Słowa kluczowe .....	46
• Urządzenia sparowane .....	47
• Parowanie telefonu .....	47
• Język .....	47
• Wyświetlanie .....	47
• Dźwięk .....	47
• Odpowiedź automatyczna .....	48
• Informacja .....	48
Aktualizacja .....	48
Obluga klienta .....	48



## WSTĘP

Technologia *Bluetooth* umożliwiła przesyłanie głosu i danych za pośrednictwem łączności radiowej krótkiego zasięgu. Pozwala przy tym na połączenie szerokiego wachlarza urządzeń elektronicznych bez użycia kabli i na zwiększenie możliwości komunikacji telefonów i zestawów głośnomówiących.

Przy wprowadzeniu zestawu głośnomówiącego, który zapewni Ci najwyższą jakość dźwiękową podczas połączeń, firma Parrot wykorzystala swoje długoletnie doświadczenie w dziedzinie przetwarzania sygnału i rozpoznawania głosu. Parrot 3200 LS-COLOR PLUS wykorzystuje technologię Beamforming z podwójnym mikrofonem wbudowanym w wyświetlacz zestawu głośnomówiącego. Ta technologia zapewnia lepszą jakość połączenia i optymalną redukcję szumów.

Dziękujemy za zakup zestawu głośnomówiącego Parrot. Dzięki Parrot 3200 LS-COLOR PLUS będą Państwo mieli możliwość prowadzenia rozmów telefonicznych w samochodzie bez odrywania rąk od kierownicy. Kolorowy interfejs i różne tapety sprawiają, że Parrot 3200 LS-COLOR PLUS jest zestawem głośnomówiącym przyjemnym w użytkowaniu. Urządzenie działa jak prawdziwe rozszerzenie telefonu komórkowego. Ponad to, istnieje możliwość zabrania ze sobą Parrot 3200 LS-COLOR PLUS po wyjściu z samochodu.



## ZAWARTOŚĆ OPAKOWANIA

- Kolorowy wyświetlacz ciekłokrystaliczny.
- Przewód instalacyjny.
- Jednostka sterująca.
- Instrukcja obsługi.
- Elementy mocowania.
- Mikrofon.

## MONTAŻ

Pierwszym etapem będzie wybór miejsca w kabinie samochodowej na umieszczenie kolorowego wyświetlacza. Zalecamy umieścić go w centralnej części deski rozdzielczej lub blisko kierowcy.

Wyświetlacz nie powinien być mocowany do deski rozdzielczej samochodu.

Upewnij się, że widzisz wyświetlacz pod dobrym kątem i że nie ogranicza Ci on widoczności podczas jazdy. Po przeprowadzeniu montażu zestawu głośnomówiącego i uruchomieniu go, możliwa jest regulacja jasności wyświetlacza.

Kabel instalacyjny jest wyposażony w złącza „ISO» oraz 2 wyjścia „line out» umożliwiające podłączenie do wejść „line in» systemu audio, jeżeli jest on wyposażony w taką opcję.

### Radioodtworacz z wejściami „line in”:

Utilisez ce type de connexion en reliant les fils marron et blanc (ou rouge et noir) sur l'entrée « line in » du système audio ainsi que le fil jaune sur l'entrée « mute » de votre autoradio.

### Radioodbiornik z gniazdem „ISO”:

Odłączyć złącza ISO radioodtworacza. Połącz złącza wtykowe ISO kabla zestawu radioodtworacza. Połącz złącza ISO samochodu ze złączami

gniazdowymi ISO kabla z zestawu.

Jeżeli radioodtworacz jest wyposażony w wejście Mute, połącz żółty przewód kabla zestawu z jednym z wejść („Mute 1», „Mute 2» lub „Mute 3»).

### Radioodtworacz bez gniazda „ISO”:

Niezbędne jest zastosowanie kabla przejściówki umożliwiającego uzyskanie złącz typu ISO. W ten sposób instalacja jest identyczna jak w przypadku gniazda „ISO». Parrot oferuje gamę przejściówek ISO. Zapoznaj się z ofertą na naszej witrynie internetowej: [www.parrot.com](http://www.parrot.com)

### Montaż kabla zestawu :

Sprawdź schemat elektryczny wiązki zasilania ISO radioodtworacza samochodowego.

Czerwony przewód kabla zasilającego musi być podłączony do zasilania stałego +12 V, przewód pomarańczowy do zasilania 12 V po zaplonie, a czarny przewód musi być podłączony do masy. W niektórych pojazdach, konieczna jest zamiana pozycji przewodów czerwonego i pomarańczowego. Operacja ta wykonywana jest w prosty sposób przez zamianę miejscami oprawek bezpieczników.

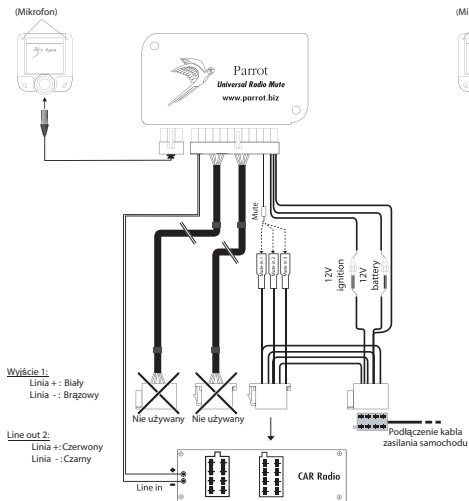
W innych samochodach napięcie +12 V po zaplonie nie jest dostępne na złączach radioodtworacza, w takim wypadku niezbędne jest bezpośrednie podłączenie pomarańczowego przewodu do napięcia +12 V po zaplonie dostępnego w samochodzie.

Nie podłączaj pomarańczowego przewodu do napięcia stałego 12 V, ponieważ może to doprowadzić do wylądowania akumulatora pojazdu.

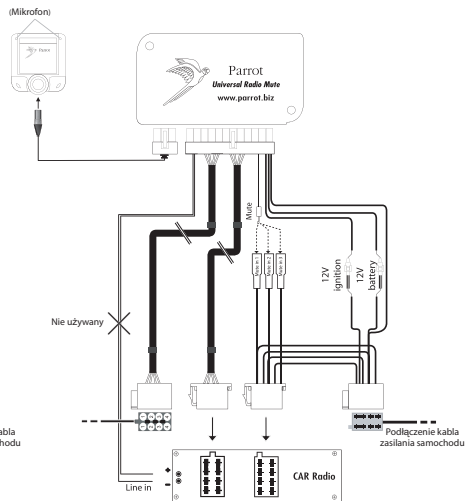
### Sprawdzenie montażu :

Jeśli Twój Parrot 3200 LS-COLOR PLUS jest poprawnie zamontowany, w momencie wyłączenia zaplonu w samochodzie na wyświetlaczu ukaze się komunikat „au revoir” (do widzenia).

## UŻYCIE WEJŚCIA „LINE»



## UŻYCIE GNIAZD ISO



Głośniki

- 1 - Tylny prawy głośnik (purpurowy/purpurowo-czarny)
- 2 - Przedni prawy głośnik (szary/szaro-czarny)
- 3 - Przedni lewy głośnik (biały/biało-czarny)
- 4 - Tylny lewy głośnik (zielony/zielono-czarny)

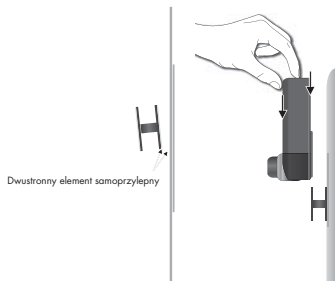


## INSTALACJA WYŚWIETLACZA PARROT 3200 LS-COLOR PLUS

W celu uzyskania dźwięku optymalnej jakości, nie przyklejaj wyświetlacza bezpośrednio do deski rozdzielczej.

Do tego celu należy użyć dwóch dostarczonych wsporników. Pierwszy wspornik umożliwia umieszczenie wyświetlacza na desce rozdzielczej.

- Przeklej dwustronny element samoprzylepny do płaskiej powierzchni wspornika, a drugi element do powierzchni deski rozdzielczej.
- Umocuj wspornik na desce rozdzielczej.
- Następnie załóż wyświetlacz na wsporniku.

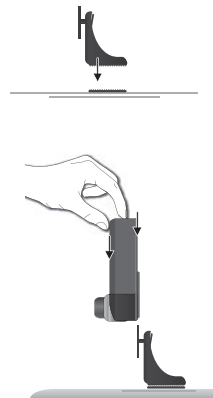


### WAŻNA UWAGA:

**PAMIĘTAJ O ZABRANIU ZE SOBĄ WYŚWIETLACZA PRZY WYCHODZENIU Z SAMOCHODU, W CELU ZAPOBIEŻENIA POTENCJALNEJ KRADZIEŻY I DŁUGOTRWAŁEMU WYSTAWIANIU NA DZIAŁANIE SŁOŃCA.**

Drugi wspornik umożliwia umocowanie wyświetlacza Parrot 3200 LS-COLOR PLUS na wysokości.

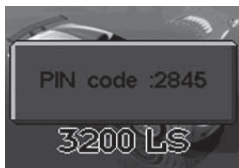
- Przyklej taśmę samoprzyczepną do wspornika i deski rozdzielczej.
- Umocuj wspornik na desce rozdzielczej.
- Następnie załóż wyświetlacz na wsporniku.



## SPAROWANIE Z TELEFONEM UŻYCIE ZESTAWU PO RAZ PIERWSZY

Podczas pierwszego włączenia zasilania Parrot 3200 LS-COLOR PLUS, konieczne jest sparowanie telefonu z zestawem.

- Włącz *Bluetooth* w telefonie komórkowym.
- Na zestawie głośnomówiącym, należy przejść do menu: Preferencje, Parowanie telefonu... i wybrać właściwą opcję dla telefonu. Na wyświetlaczu zestawu ukaże się czterocyfrowy kod PIN. Zapamiętaj go.
- Uruchoć wyszukiwanie urządzeń peryferyjnych:  
Aby uzyskać więcej informacji na ten temat, zapoznaj się z instrukcją telefonu (rozdział *Bluetooth*) lub wejdź na naszą stronę: [www.parrot.com](http://www.parrot.com), rubryka przewodnik użytkownika.
- Po zakończeniu wyszukiwania, „Parrot 3200 LS” wyświetla się na telefonie.
- Wybierz zestaw, telefon poprosi o wprowadzenie kodu dostępu: wpisz kod wyświetlany na wyświetlaczu zestawu i zatwierdź go.
- „Trwa parowanie” wyświetli się na ekranie zestawu.
- Po wymianie danych, napis „parowanie zakończone” wyświetla się na Parrot 3200 LS-COLOR PLUS.
- Parrot 3200 LS-COLOR PLUS podłączy się do telefonu.



Podczas pierwszego parowania telefonu z Parrot 3200 LS-COLOR PLUS, zostaje wygenerowane polecenie wyregulowania kierunku podwójnego mikrofonu. Ten etap umożliwia uzyskanie jak najlepszej jakości dźwięku

słyszanego przez rozmówcę. Dostępne są następujące kierunki:

- W lewo: Kierowca znajduje się z lewej strony zestawu głośnomówiącego
- Środek: Kierowca znajduje się na wprost zestawu głośnomówiącego
- W prawo: Kierowca znajduje się z prawej strony zestawu głośnomówiącego
- Brak kierunku: Umożliwia rozmówcy słyszenie kierowcy i pasażerów. Redukcja szumów jest w takiej sytuacji mniej skuteczna

Ustawienie można zmienić w menu „Preferencje / ...».

Z chwilą wykonania połączenia, logo *Bluetooth* widoczne jest na wyświetlaczu (z wyjątkiem telefonów wyposażonych w profil Headset). W przypadku niektórych telefonów, nazwa Twojego telefonu komórkowego, poziom naładowania baterii i sieci, oraz nazwa operatora są widoczne na wyświetlaczu. Skorzystaj z naszej witryny internetowej [www.parrot.com](http://www.parrot.com) w rubryce Support, aby zapoznać się z funkcjami telefonu.

Kiedy telefon jest podłączony do zestawu głośnomówiącego, menu Parrot 3200 LS-COLOR PLUS są dostępne i ich nazwa jest podawana przez zestaw głośnomówiący podczas obracania pokrętki. Wejdź do menu naciskając zielony przycisk (lub pokrętkę). W celu opuszczenia menu naciśnij czerwony przycisk.

## FUNKCJE

Wyświetlacz zestawu podaje główne informacje dotyczące Twojego telefonu, między innymi udostępnia książkę telefoniczną.

- Automatyczne ładowanie książki telefonicznej.
- Wyświetlanie nazwiska i zdjęcia osoby łączącej się z Tobą.
- Łączenie się z kontaktami przy użyciu funkcji wybierania głosowego.
- Wylączenie radioodtwarzacza samochodowego podczas połączenia.
- Lista ostatnich połączeń.
- Regulacja głośności podczas połączenia.
- Obsługa dwóch połączeń.
- Automatyczne połączenie z ostatnim połączeniem.
- Zmiana tapety.
- Regulacja jasności.
- Wybór dzwonek.
- Wybór języka.
- DTMF: po połączeniu ze skrzynką głosową, naciśnij na pokrętko w celu uzyskania dostępu do cyfr pozwalających na zarządzanie wiadomościami.

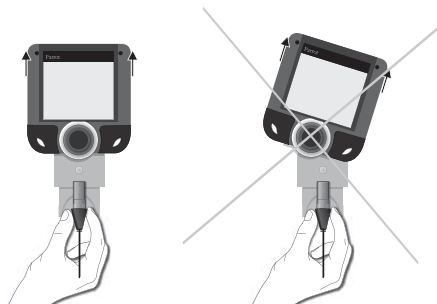


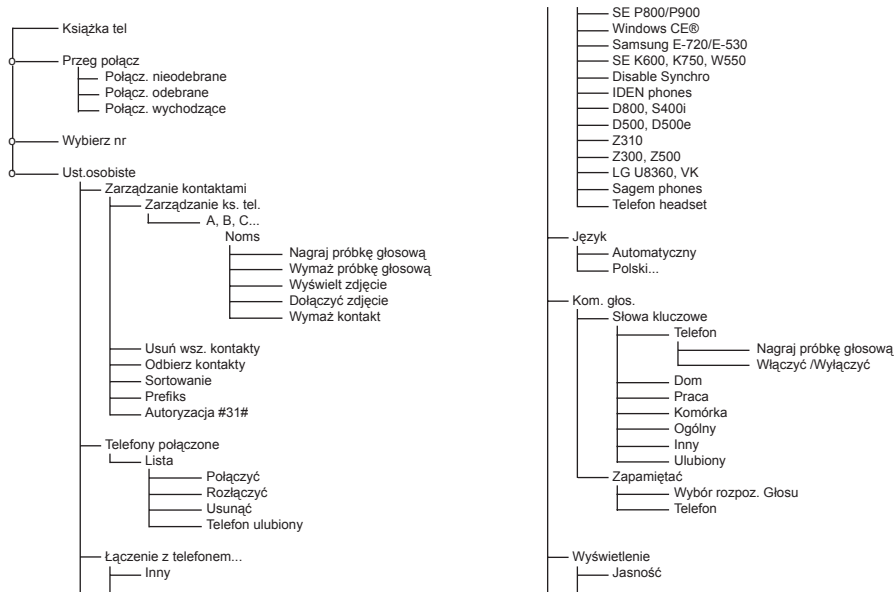
*Uwaga: Działanie niektórych funkcji (wybieranie głosowe, powtórne wybieranie numeru, tryb cichy) zależy od telefonu. Należy skorzystać z witryny [www.parrot.com](http://www.parrot.com), rubryka Support, aby uzyskać więcej informacji.*

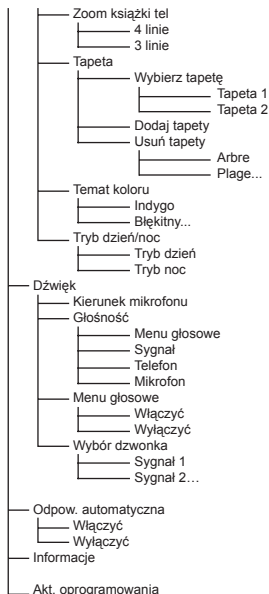
## ZDEJMOWANIE WYŚWIETLACZA

Parrot 3200 LS-COLOR PLUS jest wyposażony w złącze USB. Wyświetlacz można odłączyć od zestawu głośnomówiącego podczas opuszczania samochodu.

Należy wyłączyć zapłon samochodu i zaczekać, aż Parrot 3200 LS-COLOR PLUS wyświetli komunikat „Au revoir» (Do widzenia) przed odłączeniem wyświetlacza od zestawu głośnomówiącego. Przy odłączeniu wyświetlacza należy przytrzymać kabel Parrot 3200 LS-COLOR PLUS, a następnie zsunąć pionowo wyświetlacz ze wspornika.







## DOSTĘP DO MENU

### KSIĄŻKA TELEFONICZNA

Po sparowaniu telefonu z Parrot 3200 LS-COLOR PLUS, synchronizacja książki telefonicznej odbywa się automatycznie. Po zakończeniu tej operacji (synchronizacja zakończona), książka telefoniczna telefonu jest dostępna na wyświetlaczu zestawu głośnomówiącego. W celu przejścia do książki telefonicznej i uzyskania połączenia, przekręć pokrętkę w celu wyświetlenia menu i wybierz Książka telefoniczna. Wybierz pierwszą literę nazwiska za pomocą pokrętki i zatwierdź. Na wyświetlaczu ukaże się nazwisko i numery telefonów danej osoby. Wybierz żądany numer w celu uzyskania połączenia.

Jeżeli telefon nie umożliwia automatycznej synchronizacji książki telefonicznej, można ręcznie przesłać kontakty z telefonu do zestawu głośnomówiącego. Aby zapoznać się ze zaktualizowanymi procedurami skorzystaj z naszej witryny [www.parrot.com](http://www.parrot.com).

*Uwaga: Funkcje synchronizacji automatycznej kontaktów i ręcznego przesyłania kontaktów zależą od telefonu. Należy skorzystać z witryny [www.parrot.com](http://www.parrot.com), rubryka Support, aby uzyskać więcej informacji.*

### LISTA POŁĄCZEŃ

To menu wyświetla listę połączeń i dzieli się na 3 pod-menu: Połączenia nie odebrane / połączenia odebrane / połączenia wychodzące. To menu synchronizuje się automatycznie z menu telefonu, możesz z niego korzystać w celu uzyskania połączenia z osobą, której połączenia nie odebrałeś.

- Wybierz szukany kontakt w tym menu.
- Naciśnij pokrętkę lub zielony przycisk, aby zainicjować połączenie.

*Uwaga: Działanie tej funkcji zależy wyłącznie od telefonu. Należy skorzystać z witryny [www.parrot.com](http://www.parrot.com), rubryka Support, aby uzyskać więcej informacji.*

#### WYBIERANIE NUMERU

Wybierz to menu w celu wybrania numeru z wykorzystaniem zestawu.

- Obracaj i naciśnij pokrętko, aby wybrać cyfrę.
- Ikona kosza pozwala usunąć ostatnią cyfrę.
- Po wybraniu numeru, naciśnij zielony przycisk, aby zainicjować połączenie

#### PREFERENCJE

To menu umożliwia ustawienie parametrów zapewniających łatwiejszą obsługę zestawu głośnomówiącego.

#### ZARZĄDZANIE KONTAKTAMI

To menu pozwala na zarządzanie kontaktami Parrot 3200 LS-COLOR PLUS. Po dokonaniu wyboru kontaktu z listy (w menu Zarządzanie kontaktami), możesz nagrać lub usunąć sygnatury głosowe, wyświetlić lub usunąć zdjęcia lub usunąć kontakt z książki telefonicznej. W celu przydzielenia zdjęcia do kontaktu (jeżeli telefon obsługuje tę funkcję), wybierz Odbierz kontakt. W telefonie komórkowym wybierz kontakt, który ma być wysłany przez *Bluetooth* do zestawu głośnomówiącego. Od tej chwili, gdy wybrany kontakt połączy się z Tobą na wyświetlaczu zestawu wyświetli się jego zdjęcie i nazwisko. Możesz także zmienić kolejność sortowania: nazwisko-imię na imię-nazwisko.



*Uwaga: Działanie niektórych funkcji zależy wyłącznie od telefonu. Należy skorzystać z witryny [www.parrot.com](http://www.parrot.com), rubryka Support, aby uzyskać więcej informacji. Znajdują się tam też zaktualizowane procedury obsługi telefonu.*

#### WYBIERANIE GŁOSOWE

##### WYBÓR WYBIERANIA GŁOSOWEGO

Parrot 3200 LS-COLOR PLUS umożliwia korzystanie z funkcji wybierania głosowego telefonu, jeżeli jest on w nią wyposażony. Parrot 3200 LS-COLOR PLUS umożliwia również korzystanie z własnej funkcji wybierania głosowego. Telefon musi umożliwiać przesłanie kontaktów do zestawu głośnomówiącego, aby zapewnić działanie tej funkcji. Funkcja wybierania głosowego zestawu głośnomówiącego jest najlepiej dostosowana do użytkowania w samochodzie, dlatego zalecamy korzystanie z niej z zestawem.

- Wybór rozpoz. Głosu (wybieranie głosowe zestawu): wybrane sygnatury głosowe są sygnaturami zapisanymi w pamięci zestawu głośnomówiącego.

- Pakiet Wolne ręce (wybieranie głosowe telefonu): wybrane sygnatury głosowe są sygnaturami zapisanymi w pamięci telefonu.

##### SŁOWA KLUCZOWE

Słowa kluczowe umożliwiają wybieranie różnych numerów telefonu powiązanych z kontaktem: praca, dom, telefon komórkowy...

Zapisanie słów kluczowych pozwoli Ci na wykonywanie połączeń bez odrywania rąk od kierownicy.

Każde połączenie kontrolowane jest głosem. Należy nagrać wszystkie słowa kluczowe.

- Aby nagrać słowa kluczowe, wystarczy wybrać słowo, które ma zostać nagrane.
- Nagranie należy wykonać w cichym miejscu, przy wyłączonym silniku, zamkniętych drzwiach i z miejsca kierowcy. Nie należy zbliżać ust do mikrofonu Parrot 3200 LS-COLOR PLUS i zachować pozycję do jazdy.
- Zestaw głośnomówiący poprosi o wymówienie słowa. Jeżeli nagranie jest prawidłowe, zestaw poprosi o ponowne wymówienie słowa.
- Po nagraniu słowa kluczowego, Parrot 3200 LS-COLOR PLUS przejdzie automatycznie do nagrania następnego słowa kluczowego.

#### URZĄDZENIA SPAROWANE

Parrot 3200 LS-COLOR PLUS umożliwia sparowanie do 5 telefonów *Bluetooth*, przy czym tylko jeden z nich może być podłączony podczas jednej sesji.

Menu Urządzenia sparowane umożliwia podłączanie, rozłączanie oraz usuwanie telefonu z pamięci zestawu. W menu Preferowany telefon, można wybrać priorytet danego telefonu *Bluetooth* w przypadku połączenia z kilkoma telefonami obecnymi w samochodzie.

#### Uwaga:

*Podczas usuwania sparowania, traci się wszystkie sygnatury głosowe przypisane do kontaktów w danym telefonie*

#### PAROWANIE TELEFONU

Przed wykonaniem czynności parowania telefonu *Bluetooth*, musisz włączyć tryb zgodny z Twoim telefonem *Bluetooth*.

Po dokonaniu wyboru trybu, wyświetli się 4-cyfrowy kod (losowy). Uruchom wyszukiwanie urządzeń peryferyjnych *Bluetooth* w swoim telefonie.

Po odnalezieniu zestawu głośnomówiącego, wybierz go i wpisz kod.

*Uwaga: W celu zwiększenia kompatybilności z telefonami, nowe tryby parowania mogą zostać wkrótce wprowadzone w następnych wersjach.*

#### JĘZYK

Wybierz język, w którym będzie wyświetlane menu Parrot 3200 LS-COLOR PLUS.

#### WYŚWIETLANIE

5 menu pozwala na dostosowanie wyświetlania informacji:

- Jaskrawość: Użyj pokrętkła w celu ustawieniażądanego poziomu jaskrawości, a następnie zatwierdź naciskając pokrętkło.
- Powiększenie książki telefonicznej: Opcja pozwala na wyświetlenie 3 lub 4 linii w menu Książka Telefoniczna.
- Tapeta: Opcja pozwalająca na wybór motywu tapety.
- Temat: Opcja pozwalająca na wybór kolorów.

#### DŹWIĘKI

- Głośność: Użyj pokrętkła w celu ustawienia poziomu głośności podczas połączenia, oraz poziomu czułości mikrofonów.
- Menu głosowe: Ustaw głośność komend zestawu głośnomówiącego na żądany poziom.
- Wybór dzwonka: W telefonach, które nie odtwarzają dzwonka przy połączeniu przychodzącym, wybierz dzwonek, który chcesz słyszeć w momencie kiedy ktoś chce się z Tobą połączyć.
- Kierunek mikrofonu: To menu umożliwia wybranie jednego z dostępnych kierunków podwójnego mikrofonu i zapewnienie jak najlepszej jakości głosu słyszanego przez rozmówcę. Dostępne są następujące kierunki:
  - W lewo: Kierowca znajduje się z lewej strony zestawu głośnomówiącego
  - Srodek: Kierowca znajduje się na wprost zestawu głośnomówiącego
  - W prawo: Kierowca znajduje się z prawej strony zestawu głośnomówiącego
  - Brak kierunku: Umożliwia rozmówcy słyszenie kierowcy i pasażerów. Redukcja szumów jest w takiej sytuacji mniej skuteczna

#### ODPOWIEDZ AUTOMATYCZNA

Uaktywnij tę opcję jeśli chcesz, aby Parrot 3200 LS-COLOR PLUS odbierał automatycznie połączenia przychodzące.

#### INFORMACJA

To menu pozwala na przeglądanie informacji dotyczących wersji oprogramowania.

#### AKTUALIZACJA

Istnieje możliwość wykonania aktualizacji oprogramowania [3200 +] za pomocą Bluetooth. Ten tryb należy włączyć przed wykonaniem aktualizacji. Operacja odbywa się przez Bluetooth z komputera wyposażonego w funkcję Bluetooth.

Aktualizacja pozwala na otrzymanie nowych funkcji i na poprawienie kompatybilności z zaawansowanymi funkcjami większej ilości telefonów.

Skorzystaj z naszej witryny, aby uzyskać dodatkowe informacje:  
[www.parrot.com](http://www.parrot.com)

#### INFOLINIA

Nasza infolinia jest do Twojej dyspozycji. Możesz skontaktować się z nią przez pocztę e-mail lub telefonicznie. Infolinia działa od poniedziałku do piątku w godzinach od 9.00 do 18.00 (GMT+1). Skorzystaj z naszej witryny [www.parrot.com](http://www.parrot.com), aby uzyskać więcej informacji.

Europa: [+ 33] 1 48 03 60 69

Włochy: [+39] 02 86 39 14 63

Hiszpania: [+34] 902 404 202

Wielka Brytania: [+ 44] (0) 870 112 5872

Niemcy: 0900 172 77 68

USA: [+1] (877) 9 PARROT (linia darmowa)

Chiny: [+ 86] (0) 2164 601 944



**PARROT 3200 LS-COLOR PLUS  
РУССКИЙ**



## СОДЕРЖАНИЕ

СОДЕРЖИМОЕ УПАКОВКИ .....	53
УСТАНОВКА	
• Автомобильный приемник с линейными входами .....	53
• Автомобильный приемник с разъемом ISO .....	53
• Автомобильный приемник без разъемов ISO .....	53
• Установка кабеля комплекта .....	53
• Проверка установки .....	53
Использование линейного входа .....	54
Использование разъемов ISO .....	54
Установ казкрапа Parrot 3200 LS-COLOR PLUS .....	55
ВЯЗЫВАНИЕ С ВАШИМ ТЕЛЕФОНОМ: Первое использование .....	56
ФУНКЦИОНАЛЬНЫЕ ВОЗМОЖНОСТИ .....	57
СНЯТИЕ ЭКРАНА .....	57
ДОСТУП К МЕНЮ	
• Телефонная книга .....	59
• Журнал вызовов .....	59
• Набор .....	60
НАСТРОЙКИ	
• Управление контактами .....	60
РАСПОЗНАВАНИЕ ГОЛОСА	
• Выбор распознавания голоса .....	60
• Ключевые слова .....	60
• Спаренные устройства .....	61
• Подключение телефона .....	61
• Язык .....	61
• Индикация .....	61
• Звуки .....	61
• Автоматический ответ .....	62
• Информация .....	62
ОБНОВЛЕНИЕ .....	62
ГОРЯЧАЯ ЛИНИЯ .....	62



## ВВЕДЕНИЕ

Технология *Bluetooth* позволяет производить передачу речи и данных с помощью радиосвязи на небольшие расстояния. Она обеспечивает связь между различным электронным оборудованием, в том числе между телефонами и устройствами громкоговорящей связи.

Опираясь на свой многолетний опыт в области обработки сигналов и распознавания голоса, компания Parrot разработала устройство громкоговорящей связи, которое обеспечивает наилучшее качество звука при передаче. Устройство Parrot 3200 LS-COLOR PLUS использует передовую технологию обработки сигналов Beamforming с использованием двух микрофонов, интегрированных в экран устройства громкоговорящей связи. Эта технология обеспечивает лучшее качество связи путем оптимального шумоподавления.

Благодарим вас за покупку комплекта громкоговорящей связи Parrot. Благодаря Parrot 3200 LS-COLOR PLUS вы сможете производить и принимать телефонные вызовы в вашей машине, не снимая рук с руля.

Цветной интерфейс и персонализируемый экран комплекта громкоговорящей связи Parrot 3200 LS-COLOR PLUS делает его использование более приятным. Этот комплект работает как настоящее дополнительное оборудование вашего сотового телефона. К тому же, выходя из машины, вы можете забрать экран устройства Parrot 3200 LS-COLOR PLUS с собой.



## СОДЕРЖИМОЕ УПАКОВКИ

- Цветной ЖК-экран.
- Монтажный кабель.
- Электронный блок.
- Инструкция по эксплуатации.
- Кронштейны крепления.
- Микрофон.

## УСТАНОВКА

Прежде всего, выберите место установки цветного экрана в кабине вашего автомобиля. Мы рекомендуем поместить ее в центре приборной панели или рядом с вами.

Экран не должен прижиматься к приборной панели автомобиля.

Убедитесь, что экран находится под подходящим углом зрения, и что он не мешает обзору дороги. После завершения установки и запуска комплекта громкоговорящей связи вы можете отрегулировать яркость экрана.

Монтажный кабель имеет разъемы «ISO», а также два линейных выхода для подключения к линейным входам аудиосистемы, если у нее имеются такие входы.

### Автомобильный приемник с линейными входами:

Используйте этот тип подключения, подключив коричневый и белый провода (или красный и черный) к линейному входу аудиосистемы, а также желтый провод к входу отключения звука автомобильного приемника.

### Автомобильный приемник с разъемом ISO:

Подключите разъемы ISO вашего автомобильного приемника. Подсоедините разъемы к внешним контактам кабеля ISO

комплекта к автомобильному приемнику. Соедините разъемы ISO автомобиля с разъемами ISO с внутренними контактами прилагаемого кабеля.

Если приемник оборудован входом отключения звука, подсоедините желтый провод кабеля комплекта к соответствующему входу отключения звука («Отключение звука 1», «Отключение звука 2» или «Отключение звука 3».

### Автомобильный приемник без разъемов ISO:

Niezbędne jest zastosowanie kabla przejściówki umożliwiającego uzyskanie złącz typu ISO. W ten sposób instalacja jest identyczna jak w przypadku gniazda „ISO”. Parrot oferuje gamę przejściówek ISO. Zapoznaj się z ofertą na naszej witrynie internetowej: [www.parrot.com](http://www.parrot.com)

### Установка кабеля комплекта:

• Проверьте схему подключения линии стандарта ISO автомобильного приемника.

Красный провод кабеля комплекта должен быть подключен к постоянному питанию +12 В, оранжевый провод подключается к питанию 12 В после замка зажигания, а черный провод – к массе. На некоторых автомобилях необходимо поменять местами красный и оранжевый провода. Это действие выполняется путем изменения положения двух предохранителей.

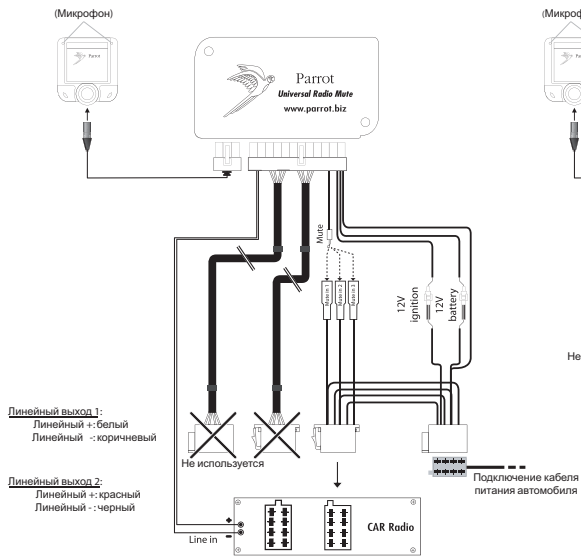
На некоторых автомобилях питание +12 В после ключа зажигания отсутствует на разъемах автомобильного приемника, поэтому необходимо соединить оранжевый провод с питанием +12 В после ключа зажигания автомобиля.

• Не подключайте оранжевый провод к постоянному питанию 12 В, так как это может привести к разрядке аккумулятора автомобиля.

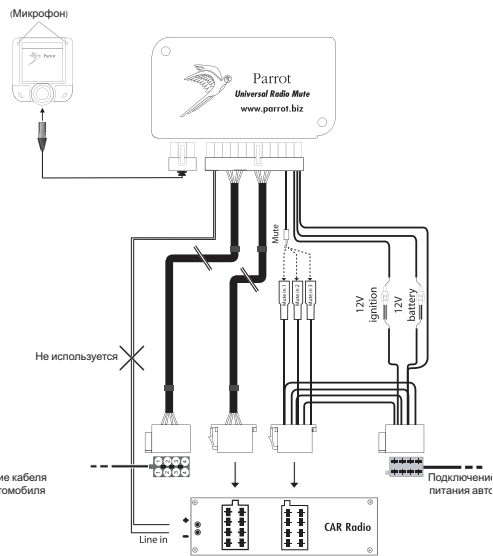
### Проверка установки:

• Если ваш комплект громкоговорящей связи Parrot 3200 LS-COLOR PLUS установлен правильно, то при выключении зажигания автомобиля на экране появится сообщение «до свидания».

## ИСПОЛЬЗОВАНИЕ ЛИНЕЙНОГО ВХОДА



## ИСПОЛЬЗОВАНИЕ РАЗЪЕМОВ ISO



### Колонки

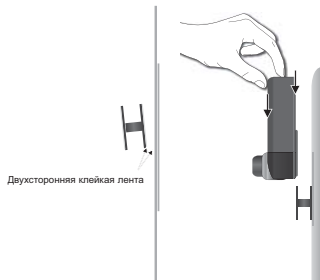
- 1 - Задняя правая колонка (розовый/розовый-черный)
- 2 - Передняя правая колонка (серый/серый-черный)
- 3 - Передняя левая колонка (белый/белый-черный)
- 4 - Задняя левая колонка (зеленый/зеленый-черный)

## УСТАНОВКА ЭКРАНА PARROT 3200 LS-COLOR PLUS

Для того чтобы пользоваться связью оптимального качества не приклеивайте экран непосредственно к приборной панели.

Используйте для этого одну из двух прилагаемых опор. Первая опора позволяет устанавливать экран вплотную к приборной панели.

- Приклейте двухстороннюю клейкую ленту на одну из плоских поверхностей опоры, а вторую сторону на приборную панель.
- Установите опору на приборную панель.
- Затем вставьте экран в опору.

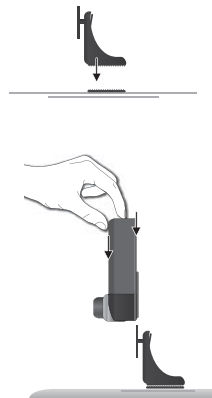


### ВНИМАНИЕ:

При выходе из автомобиля снимайте экран, чтобы избежать риска кражи и длительного воздействия солнечных лучей на экран.

Вторая опора позволяет вам установить экран Parrot 3200 LS-COLOR PLUS на большую высоту.

- Приклейте ленту с липкой застежкой на опору, а вторую часть ленты на приборную панель.
- Установите опору на приборную панель.
- Затем вставьте экран в опору.



## СВЯЗЫВАНИЕ С ВАШИМ ТЕЛЕФОНОМ ПЕРВОЕ ИСПОЛЬЗОВАНИЕ

При первом включении необходимо выполнить связывание вашего телефона с автомобильным комплектом громкоговорящей связи Parrot 3200 LS-COLOR PLUS.

- Включите функцию *Bluetooth* вашего телефона.
- Перемещайтесь в меню комплекта громкоговорящей связи до: Индивидуальные параметры, Связывание телефона..., и выберите пункт, соответствующий вашему телефону. При этом на экране отображается четырехзначный PIN-код. Запомните его.
- Выполните поиск периферийных устройств: более подробные сведения об этой операции см. в инструкции вашего телефона (раздел *Bluetooth*) или на нашем web-сайте: [www.parrot.com](http://www.parrot.com), раздел «руководства пользователя».
- При обнаружении устройства на экране телефона появится его название «Parrot 3200 LS».
- Выберите устройство; при этом телефон запросит ввести код: введите код, отображаемый на экране устройства, и подтвердите его на вашем телефоне.
- При этом на экране устройства отображается сообщение «Выполняется связывание».
- По завершении передачи данных на экране Parrot 3200 LS-COLOR PLUS появится сообщение «Связывание завершено».
- Parrot 3200 LS-COLOR PLUS соединяется с вашим телефоном.



При связывании первого телефона с вашим Parrot 3200 LS-COLOR PLUS, устройство автоматически запросит выполнить регулировку направления двойного микрофона. Этот этап позволяет комплекту громкоговорящей связи передавать вашему абоненту звук лучшего качества. Доступны следующие направления:

- Направление влево: водитель располагается слева от комплекта громкоговорящей связи
  - Направление по центру: водитель располагается напротив комплекта громкоговорящей связи
  - Направление вправо: водитель располагается справа от комплекта громкоговорящей связи
  - Нет какого-либо предпочтительного направления: позволяет собеседнику слышать и водителя и пассажира.
- В таком случае шумоподавление будет менее эффективным.

Вы можете изменить эту настройку позднее, зайдя в меню «Настройки / ...».

После установления связи на экране появится логотип *Bluetooth* (за исключением некоторых телефонов, использующих профиль наушников).

Некоторые телефоны предоставляют дополнительные функции, например, отображение на экране комплекта названия вашего телефона, уровня сигнала сети и заряда аккумулятора, а также названия вашего оператора. Для информации о функциях вашего телефона обратитесь на наш web-сайт [www.parrot.com](http://www.parrot.com) в раздел технической поддержки.

При подключении телефона к комплекту громкоговорящей связи станут доступны меню Parrot 3200 LS-COLOR PLUS и при повороте колесика они будут произноситься комплектом громкоговорящей связи. Вход в меню осуществляется нажатием на зеленую кнопку (или на колесико).

Для выхода нажмите на красную кнопку.



## ФУНКЦИОНАЛЬНЫЕ ВОЗМОЖНОСТИ

На экране комплекта отображаются основные данные вашего телефона, в том числе телефонная книга.

- Автоматическая загрузка вашей телефонной книги.
- Отображение имени и изображения вызывающего.
- Вызов абонентов с помощью голосового набора.
- Выключение автомобильного приемника во время телефонного разговора.
- Журнал вызовов.
- Регулировка громкости во время разговора.
- Управление двойными вызовами.
- Автоматический повторный вызов последнего абонента.
- Изменение фона экрана.
- Регулировка яркости.
- Выбор звонка.
- Выбор языка.
- Функция тонального набора (DTMF): при вызове вашей службы сообщений нажмите на колесико для доступа к цифрам, позволяющим управлять вашими сообщениями.

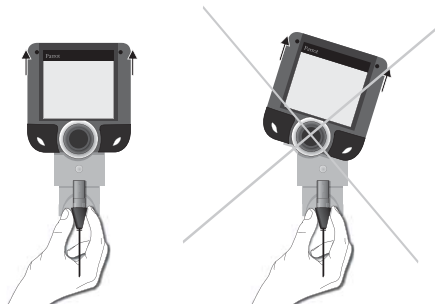


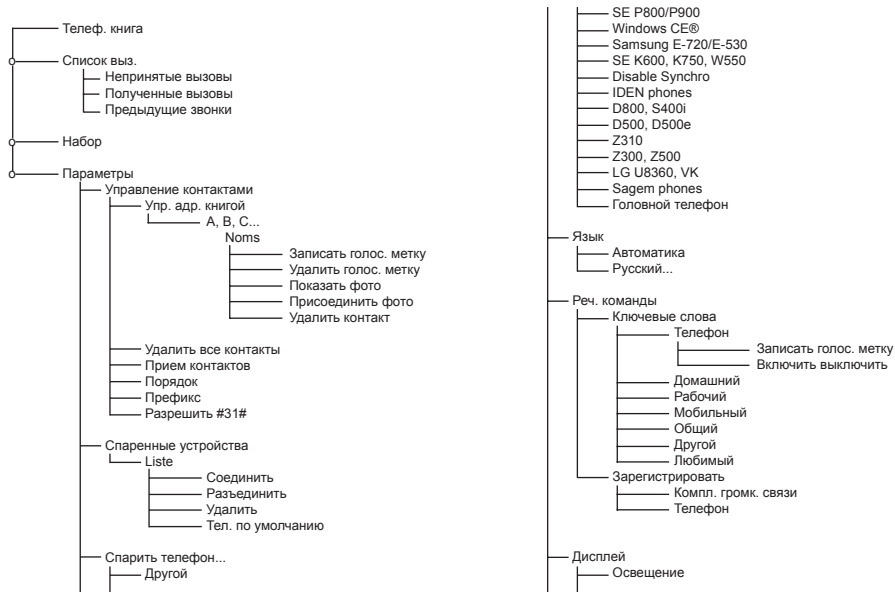
*Примечание: Использование некоторых из указанных функций (голосовой набор, повтор, дискретный режим) зависит исключительно от вашего телефона. Для получения дополнительной информации обратитесь на наш web-сайт [www.parrot.com](http://www.parrot.com) в раздел технической поддержки.*

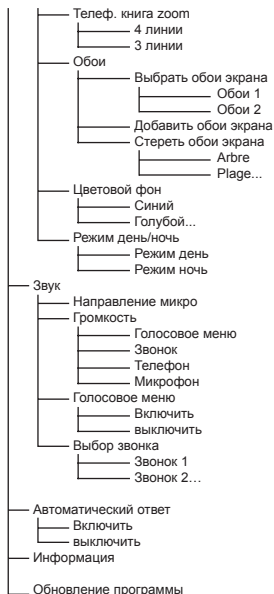
## СНЯТИЕ ЭКРАНА

Parrot 3200 LS-COLOR PLUS оборудован разъемом USB. При выходе из автомобиля вы можете снять экран устройства громкоговорящей связи.

Очень важно сначала выключить зажигание автомобиля, затем дождаться появления сообщения «до свидания» на экране Parrot 3200 LS-COLOR PLUS и только затем отключать экран вашего громкоговорящего устройства. Для снятия экрана рекомендуется поддерживать кабель Parrot 3200 LS-COLOR PLUS и затем вертикально извлекать экран из опоры.







## ДОСТУП К МЕНЮ

### ТЕЛЕФОННАЯ КНИГА

После связывания телефона с Parrot 3200 LS-COLOR PLUS автоматически начинается синхронизация вашей телефонной книги. По завершении синхронизации предоставляется доступ к телефонной книге вашего телефона с экрана комплекта громкоговорящей связи. Чтобы вызвать абонента из телефонной книги, поворачивайте колесико для доступа к меню, а затем выберите пункт Телефонная книга. Прокручивайте буквы до первой буквы имени нужного абонента и подтвердите.

На экране появятся имя и различные номера телефонов этого абонента. Затем выберите нужный номер телефона.

Если ваш телефон не позволяет выполнять автоматическую синхронизацию телефонной книги, вы можете вручную отправить данные телефонной книги в устройство громкоговорящей связи.

Для того чтобы воспользоваться конкретными рекомендациями обратитесь на наш web-сайт [www.parrot.com](http://www.parrot.com).

*Примечание: функции Автоматической синхронизации телефонной книги и отправка данных телефонной книги вручную зависят только от вашего телефона. Для получения дополнительной информации обратитесь на наш web-сайт [www.parrot.com](http://www.parrot.com) в раздел технической поддержки.*

### Журнал вызовов

В этом пункте отображается список вызовов, разделенный на три подменю:

Не принятые вызовы / Полученные вызовы / Исходящие вызовы. Этот список автоматически синхронизируется с журналом вызовов вашего телефона, и с его помощью вы можете позвонить абоненту, вызов которого вы не приняли.

- Выберите абонента из этих меню.
- Нажмите на колесико или зеленую кнопку для вызова.

*Примечание: использование этой функции зависит только от вашего телефона. Для получения дополнительной информации обратитесь на наш web-сайт [www.parrot.com](http://www.parrot.com) в раздел технической поддержки.*

## НАБОР

Выберите это меню для набора номера непосредственно на устройстве громкоговорящей связи.

- Поверните и нажмите на колесико для выбора цифры.
- Значок «мусорная корзина» позволяет стереть последнюю цифру.
- После набора номера нажмите на зеленую кнопку для вызова.

## НАСТРОЙКИ

Это меню позволяет выполнить необходимые настройки для более оптимального использования вашего громкоговорящего устройства.

## УПРАВЛЕНИЕ КОНТАКТАМИ

Это меню позволяет управлять абонентами комплекта громкоговорящей связи Parrot 3200 LS-COLOR PLUS. Выбрав имя абонента в списке (войдите в меню Управление контактами), вы можете записать или удалить голосовую метку, посмотреть или стереть фотографию или удалить это имя из телефонной книги.

Для приема вызова с отображением соответствующей фотографии (если поддерживается телефоном), выберите «Прием вызова». Выберите имя абонента на вашем телефоне для передачи данных на комплект громкоговорящей связи при помощи Bluetooth. После этого при получении вызова от этого абонента на экране комплекта будут отображаться его фотография и имя. Вы также можете



поменять порядок сортировки: фамилия-имя на имя-фамилия.

*Примечание: использование некоторых функций зависит только от вашего телефона. Для получения дополнительной информации обратитесь на наш web-сайт [www.parrot.com](http://www.parrot.com) в раздел технической поддержки. Вы здесь также найдете конкретные рекомендации для вашего телефона.*

## РАСПОЗНАВАНИЕ ГОЛОСА

### ВЫБОР РАСПОЗНАВАНИЯ ГОЛОСА

Parrot 3200 LS-COLOR PLUS позволяет вам использовать голосовой набор вашего телефона, если он располагает этой функцией. Parrot 3200 LS-COLOR PLUS также позволяет использовать собственную функцию голосового набора. Для того чтобы воспользоваться этой функцией ваш телефон должен обладать способностью отправлять телефонную книгу на ваше устройство громкоговорящей связи. Функция голосового набора устройства громкоговорящей связи лучше приспособлена для использования в машине, поэтому мы рекомендуем вам настроить эту функцию громкоговорящего устройства.

- Запись в автомобильный комплект: выбранные голосовые метки записываются в память комплекта громкоговорящей связи.

- Запись в телефон: выбранные голосовые метки записываются в память телефона.

### КЛЮЧЕВЫЕ СЛОВА

Ключевые слова позволяют вам выбирать различные типы номеров телефонов вашего абонента: рабочий, домашний, мобильный...

Запись ключевых слов позволяет звонить по телефону, не снимая рук с руля.

Вы можете полностью управлять связью с помощью голоса. Для использования этой функции необходимо предварительно записать все ключевые слова.

- Для записи этих ключевых слов вам достаточно выбрать ключевые слова, которые вы хотите записать.
- Запись рекомендуется выполнять в тихом месте, выключить двигатель, закрыть стекла автомобиля и занять место водителя. При записи не наклоняйтесь к микрофону Parrot 3200 LS-COLOR PLUS и сохраняйте нормальное положение при управлении автомобилем.
- Комплект громкоговорящей связи попросит вас произнести ключевое слово. Если запись была произведена успешно, устройство попросит вас произнести эти ключевые слова еще раз.
- После записи ключевого слова Parrot 3200 LS-COLOR PLUS автоматически перейдет к записи следующего ключевого слова.

### СПАРЕННЫЕ УСТРОЙСТВА

Комплект Parrot 3200 LS-COLOR PLUS позволяет связать до 5 телефонов *Bluetooth*, но при вызове может быть подключен только один из телефонов.

Меню Спаренные устройства позволяет подключать, отключать или удалять телефон из памяти устройства.

Пункт «Определить предпочтительный телефон» позволяет выбрать приоритет телефона *Bluetooth* в случае подсоединения нескольких телефонов в автомобиле.

#### Внимание:

*При удалении связывания вы потеряете все голосовые метки, присвоенные номерам абонентов данного телефона.*

### ПОДКЛЮЧЕНИЕ ТЕЛЕФОНА

Перед подключением вашего телефона *Bluetooth* вы должны активировать режим, соответствующий вашему телефону *Bluetooth*. После выбора режима на экран выводится четырехзначный код (случайный).

Выполните поиск периферийных устройств *Bluetooth* с вашего телефона.

После обнаружения комплекта громкоговорящей связи выберите его и введите код.

Примечание: для оптимальной совместимости с телефонами, в будущих вариантах могут быть добавлены новые режимы подключения.

### Язык

Выберите язык меню вашего устройства Parrot 3200 LS-COLOR PLUS.

### Индикация

5 разделов позволяют вам индивидуально настроить отображение информации:

- Яркость: используйте колесико для установки желаемого уровня яркости и подтвердите настройку, нажав на него.
- Увеличение телефонной книги: позволяет выбрать отображение на 3 или 4 строках в меню Телефонная книга.
- Фон экрана: позволяет выбрать фоновое изображение на экране.
- Тема: соответствует выбору цветовой темы.

### Звуки

- Громкость: используйте колесико для регулировки уровня громкости разговора и уровня чувствительности микрофонов.
- Голосовые меню: отрегулируйте громкость команд комплекта громкоговорящей связи на желаемый уровень.
- Выбор звонка: для телефонов, которые не звонят при входящем вызове, выберите звонок, который вы хотите слышать при получении вызова от абонента.
- Направление микрофона: Это меню позволяет вам выбрать предпочтительное направление двойного микрофона из имеющихся настроек направления и таким образом позволяет комплект

громкоговорящей связи передавать вашему собеседнику звук лучшего качества. Доступны следующие направления:

- Направление влево: водитель располагается слева от комплекта громкоговорящей связи
- Направление по центру: водитель располагается напротив комплекта громкоговорящей связи
- Направление вправо: водитель располагается справа от комплекта громкоговорящей связи
- Нет какого-либо предпочтительного направления:  
Позволяет собеседнику слышать и водителя и пассажира. В таком случае шумоподавление будет менее эффективным.

#### Автоматический ответ

Активируйте этот режим, если вы хотите, чтобы устройство Parrot 3200 LS-COLOR PLUS выполняло автоматическое соединение при получении входящих вызовов.

#### Информация

Это меню позволяет ознакомиться с данными о версии установленного программного обеспечения.

#### Обновление

Вы можете загрузить новую версию программного обеспечения вашего комплекта громкоговорящей связи Parrot 3200 LS-COLOR PLUS через *Bluetooth*. Активируйте этот режим перед обновлением программы.

Обновление производится через *Bluetooth* с компьютера, оснащенного устройством *Bluetooth*.

Новая версия программного обеспечения позволит использовать новые функции и оптимизировать совместимость с передовыми функциями большего количества телефонов.

Более подробную информацию смотрите на нашем сайте: [www.parrot.com](http://www.parrot.com)

#### Горячая линия

Наша «горячая линия» всегда в вашем распоряжении. Вы можете написать нам письмо или позвонить по телефону. Часы работы с понедельника по пятницу с 9.00 до 18.00 (время по Гринвичу +1).

Для получения дополнительной информации зайдите на наш веб-сайт по адресу [www.parrot.com](http://www.parrot.com).

Европа : [+33] 1 48 03 60 69

France : 01 48 03 60 69

Италия : [+39] 02 86 39 14 63

Espagne : [+34] 902 404 202

Великобритания : [+ 44] (0) 870 112 5872

Германия : 0900 172 77 68

США : [+1] (877) 9 PARROT (бесплатно)

Китай : [+86] (0) 2164 601 944





Parrot S.A. - 174, quai de Jemmapes - 75010 Paris - France  
Fax +33 1 48 03 06 66 / Phone +33 1 48 03 60 60  
[www.parrot.com](http://www.parrot.com)



P1030203AE

