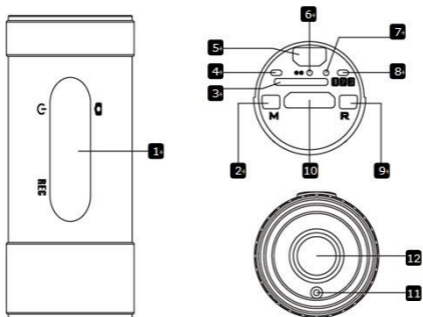


1. Packing List

- | | |
|---------------------------|--------------------------|
| 1. Prestigio car DVR | 11. Horizontal connector |
| 2. Car charger | 12. Head string |
| 3. Adapter | 13. 47mm STRING |
| 4. USB cable | 14. Bicycle bracket |
| 5. HDMI cable | 15. Anti-slide car pad |
| 6. Rotatable body bracket | 16. Helmet bracket |
| 7. Car bracket | 17. Car use accessory |
| 8. Car sticker bracket | 18. Quick start guide |
| 9. Sliding part | 19. Warranty card |
| 10. Vertical connector | |

2. Device and Remote Overview



- | | |
|--|---------------------------------|
| 1 Power switch / OK Button / REC Button | 7 Reset button |
| 2 Mode Button | 8 Resolution LED |
| 3 Micro SD card slot | 9 R button / Down Button |
| 4 Mode LED | 10 HDMI Port |

5 USB Port

11 Laser LED

6 Power LED

12 Lens

Getting started

3. Power on/Power off

- Turn the Power Switch to “⏻”, buzzer beep 5 times and laser LED lights at the same time, the system comes into standby. Mode LED, Power LED and Resolution LED will on.
- To power off the device turn the Power Switch to “⏻”, hold for 3 seconds, buzzer beep 5 times and laser LED flash 5 times.

4. Charging

- Using the USB cable: Connect the device to the USB port of a computer, the device will immediately start charging.
- Using the adapter: Connect the device to the adapter, the device will immediately start charging.
- Normally it takes approximately 2-3 hours to fully charge the device. Operating the device while charging with the AC adapter may extend the time of full charge.

Note:

Before using the device for the first time, please, provided to fully charge the Li-ion battery. The battery is completely charged in 2-3 hours.

If the power is low, the buzzer will keep beeps, then the device will power off shortly.

5. Inserting the Micro SD-card

- Before starting video recording, please, insert a Micro SD card into the Micro SD card slot in the device.
- To extract the Micro SD card slightly push it inside the device, and remove.

Note:

If there is no card inserted when the device powered on, the buzzer will keep beeping and then power off shortly.

If there is a little space left of Micro SD card, the buzzer will keep

beeping and then power off shortly.

6. Recording

- Before recording, press "R" button to choose the recording resolution and press "M" one time to set flip-REC if necessary, then move the switch to "REC" to start recording, the recorded files are saved on Micro SD Card. To stop recording, move the switch to center. The device backs to standby.

7. Taking pictures

- Switch to "📷" and back immediately to take pictures in burst.

LED Indication

8. Menu Options

Different LED color indicates different setting:

M	Mode LED	R	Resolution LED
Green LED	Standard Recording Mode	Green LED	1920 X 1080P 30fps
Red LED	Flip Recording Mode	Red LED	1280 X 720P 60fps
Yellow LED	Playback / Menu Mode	Yellow LED	1280 X 720P 30fps

Settings

9. General settings

Press **M** button to enter Settings. Press the right to select Settings. The following settings are available:

- **Language:** Select the desired language from the list.
- **Record Overwrite:** Once there is no more free space left on the SD card the device will automatically erase the oldest files on the card and continue recording new ones.
- **Record File Size:** Select one of the values to set the video duration.
- **Stamp:** Select ON to add time and date indications to the images and video.
- **Format:** Select to format the SD card.

Important note:

Once you select YES and press the navigation button the card will be formatted without warning. All data on it will be erased.

- **TV Type:** Select the AV output from NTSC / PAL.
- **Time Setup:** Install the current date and time
- **Default setting:** Select to restore default system settings.
- **Night Mode:** Set night mode if necessary.
- **Flicker:** Change frequency to remove the blinking effect when recording under artificial lighting.
- **Firmware Version:** Displays the current system version.

13. Playback mode

To enter playback mode press **M** button.

Press **R** button to select the file, then press **OK** button to view the file.

14. USB connection

To download registered files on your PC/notebook, please, connect the device to the PC or notebook via USB-cable provided. After connecting the device to the PC and power on the device, the device will appear in "My computer" as the removable disk. All registered files are stored in DCIM folder, videos are stored in MOV format, and the pictures are stored in JPG format. You can now download the files from the device.

15. Playback on TV

To playback the recorded files on TV, connect the device to your TV with the HDMI cable provided and follow the TV instructions or refer to your TV user manual.

Notes:

- Please insert the Micro SD card before recording.
- When the Micro SD card is out of memory, it will automatically erase

the oldest files and start recording from the beginning (only if the Recycle option is activated).

Safety precautions

Please observe all safety precautions before using Prestigio Roadrunner 710X. Please follow all procedures outlined in this manual to correctly operate the device.

- Do not attempt to disassemble or alter any part of the device that is not described in this guide.
- Do not place the device in contact with water or any other liquids. The device is NOT designed to be liquid proof of any sort.
- In the event of liquid entry into interior of device, immediately disconnect the device from the computer. Continuing use of the device may result in fire or electrical shock. Please consult your product distributor or the closest support center.
- To avoid risk of electrical shock, do not connect or disconnect the device with wet hands.
- Do not place the device near a heat source or directly expose it to flame or heat.
- Never place the device in vicinity of equipments generating strong electromagnetic fields. Exposure to strong magnetic fields may cause malfunctions or data corruption and loss.

Technical Specifications

Recording resolution	1080P (1920 x 1080 / 30fps) / 720P/60 (1280 x 720 / 60fps)/ 720P/30(1280 x 720 / 30fps)
Video format	MOV
Picture format	JPG
Power source	Rechargeable battery and 220V charger.
Interfaces	HDMI, USB, Micro SD card (Supports max 32GB, high-speed Micro SD card recommended)
Na Microphone	Built-in
Operating temperature	- 5°~ 40°C

EN Video Storage Capacity

Storage card(G)	H.264 1080P/ 30fps	H.264 720P / 60 fps	H.264 720P / 30 fps	2592 X 1944 (5M)
8G	120min	100min	180min	9000 photos
4G	60min	50min	90min	4600 photos
2G	30min	25min	45min	2300 photos
1G	15min	12min	22min	1100 photos

Disclaimer

As the Prestigio products are constantly updated and improved, your device may have a slightly different appearance or modified functionality than presented in this Quick Start Guide.